



# TITAN®

## SERVICE MANUAL

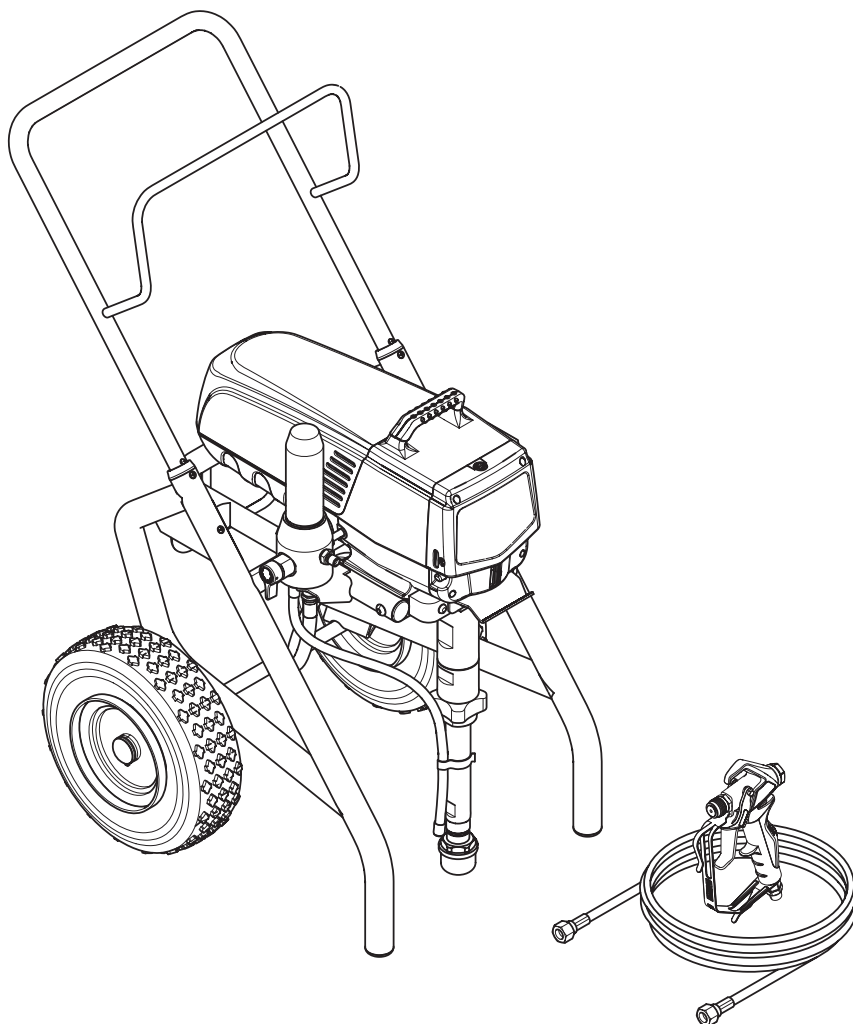
# IMPACT™ 1040


- EN -	SERVICE MANUAL	2
- F -	MANUEL D'ENTRETIEN	14
- ES -	MANUAL DE MANTENIMIENTO	26

AIRLESS, HIGH-PRESSURE  
SPRAYING UNIT

GROUPE DE PROJECTION À  
HAUTE PRESSION

AIRLESS EQUIPO DE ALTA  
PRESIÓN PARA PULVERIZAR



Name	1040
Model #	0552600
<b>Specifications</b>	
Gallons per minute	1.15 (4.35 LPM)
Maximum tip sizes	1 gun - 0.033"
	2 gun - 0.021"
Maximum pressure	3300 PSI (22.8 MPa)
Weight	98 lbs.
Maximum hose length	300'
Power	2.5 HP Brushless DC Motor, 100~120V AC, 50/60Hz, 15A
Generator requirement	5000 Watt (disable idle-down feature)
<b>Included accessories</b>	
Spray gun	RX-Pro
Spray hose	50' (15 m) P/N 316-505
Spray filter	60 mesh, P/N 0089958
<b>Literature</b>	
Operation manual (Form No. 0552896)	English / French / Spanish included with product and available online at <a href="http://www.titantool.com">www.titantool.com</a>
Service manual (Form No. 2424937)	English / French / Spanish available online at <a href="http://www.titantool.com">www.titantool.com</a>
RX-Pro manual (Form No. 0538801)	All languages included with product and available online at <a href="http://www.titantool.com">www.titantool.com</a>
<b>Compliance</b>	
	Conforms to UL STD 1450 Certified to CSA STD C22.2 No. 68

<b>1</b>	<b>SAFETY REGULATIONS FOR AIRLESS</b>	
	<b>SPRAYING</b>	<b>4</b>
1.1	Explanation of symbols used	4
1.2	Grounding instructions	4
1.3	Safety hazards	5
<b>2</b>	<b>MAINTENANCE</b>	<b>6</b>
2.1	Pressure relief procedure	6
2.2	General repair and service notes	7
2.3	Replacing the motor	7
2.4	Replacing the gears	7
2.5	Replacing the transducer	8
2.6	Replacing the PRIME/SPRAY valve	9
2.7	Servicing the fluid section	9
2.8	Replacing the filters	12
<b>3</b>	<b>TROUBLESHOOTING</b>	<b>13</b>
	<b>SPARE PARTS LISTS</b>	<b>38</b>
	Main Assembly	38
	Drive Assembly	40
	Cart Assembly	41
	Fluid Section Assembly	42
	Filter Assembly	43
	Labels	45
	Electrical Schematic	45
	<b>ACCESSORIES</b>	<b>46</b>
	<b>WARRANTY</b>	<b>48</b>

# 1 SAFETY REGULATIONS FOR AIRLESS SPRAYING

## 1.1 EXPLANATION OF SYMBOLS USED

This manual contains information that must be read and understood before using the equipment. When you come to an area that has one of the following symbols, pay particular attention and make certain to heed the safeguard.



→ This symbol indicates a potential hazard that may cause serious injury or loss of life. Important safety information will follow.



Attention

→ This symbol indicates a potential hazard to you or to the equipment. Important information that tells how to prevent damage to the equipment or how to avoid causes of minor injuries will follow.



→ Danger of skin injection



→ Danger of fire from solvent and paint fumes



→ Danger of explosion from solvent, paint fumes and incompatible materials



→ Danger of injury from inhalation of harmful vapors



→ Danger of electric shock



→ Notes give important information which should be given special attention.

## 1.2 GROUNDING INSTRUCTIONS

This product must be grounded. In the event of an electrical short circuit, grounding reduces the risk of electric shock by providing an escape wire for the electric current. This product is equipped with a cord having a grounding wire with an appropriate grounding plug. The plug must be plugged into an outlet that is properly installed and grounded in accordance with all local codes and ordinances.

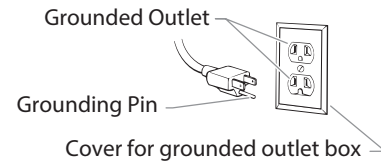


**WARNING - Improper installation of the grounding plug can result in a risk of electric shock.**

If repair or replacement of the cord or plug is necessary, do not connect the green grounding wire to either flat blade terminal. The wire with insulation having a green outer surface with or without yellow stripes is the grounding wire and must be connected to the grounding pin.

Check with a qualified electrician or serviceman if the grounding instructions are not completely understood, or if you are in doubt as to whether the product is properly grounded. Do not modify the plug provided. If the plug will not fit the outlet, have the proper outlet installed by a qualified electrician.

This product is for use on a nominal 120 volt circuit and has a grounding plug that looks like the plug illustrated below. Make sure that the product is connected to an outlet having the same configuration as the plug. No adapter should be used with this product.



## 1.3 SAFETY HAZARDS



### WARNING: INJECTION INJURY

A high pressure stream produced by this equipment can pierce the skin and underlying tissues, leading to serious injury and possible amputation.

Do not treat a spraying injury as a harmless cut. In case of injury to the skin through coating materials or solvents, consult a doctor immediately for quick and expert treatment. Inform the doctor about the coating material or solvent used.

### PREVENTION:

- Do not aim the gun at, or spray any person or animal.
- Keep hands and other body parts away from the discharge. For example, do not try to stop leaks with any part of the body.
- NEVER put your hand in front of the gun. Gloves will not provide protection against an injection injury.
- ALWAYS keep the tip guard in place while spraying. The tip guard provides some protection but is mainly a warning device.
- Only use a nozzle tip specified by the manufacturer.
- Use caution when cleaning and changing nozzle tips. In the case where the nozzle tip clogs while spraying, ALWAYS lock gun trigger, shut pump off, and release all pressure before servicing, cleaning tip or guard, or changing tip. Pressure will not be released by turning off the motor. The PRIME/SPRAY valve or pressure bleed valve must be turned to their appropriate positions to relieve system pressure. Refer to PRESSURE RELIEF PROCEDURE described in the pump manual.
- Do not leave the unit energized or under pressure while unattended. When the unit is not in use, turn off the unit and relieve the pressure in accordance with the manufacturer's instructions.
- High-pressure spray is able to inject toxins into the body and cause serious bodily injury. In the event that injection occurs, seek medical attention immediately.
- Check hoses and parts for signs of damage, a leak can inject material into the skin. Inspect hose before each use. Replace any damaged hoses or parts. Only use TITAN original-high-pressure hoses in order to ensure functionality, safety and durability.
- This system is capable of producing 3300 PSI / 228 Bar. Only use replacement parts or accessories that are specified by the

manufacturer and that are rated a minimum of 3300 PSI. This includes spray tips, nozzle guards, guns, extensions, fittings, and hoses.

- Always engage the trigger lock when not spraying. Verify the trigger lock is functioning properly.
- Verify that all connections are secure before operating the unit.
- Know how to stop the unit and bleed pressure quickly. Be thoroughly familiar with the controls. Pressure will not be released by turning off the motor. The PRIME/SPRAY valve or pressure bleed valve must be turned to their appropriate positions to relieve system pressure. Refer to PRESSURE RELIEF PROCEDURE described in the pump manual.
- Always remove the spray tip before flushing or cleaning the system.



**NOTE TO PHYSICIAN: Injection into the skin is a traumatic injury which can lead to possible amputation. It is important to treat the injury as soon as possible. DO NOT delay treatment to research toxicity. Toxicity is a concern with some coatings injected directly into the blood stream. Consultation with a plastic surgeon or reconstructive hand surgeon may be advisable.**



**WARNING: HIGH PRESSURE HOSE**

The paint hose can develop leaks from wear, kinking and abuse. A leak can inject material into the skin. Inspect the hose before each use.

**PREVENTION:**

- Avoid sharp bending or kinking of the high-pressure hose. The smallest bending radius amounts to about 8" (20 cm).
- Do not drive over the high-pressure hose. Protect against sharp objects and edges.
- Replace any damaged high-pressure hose immediately.
- Never repair damaged high-pressure hoses yourself!
- Electrostatic charging of spray guns and the high-pressure hose is discharged through the high-pressure hose. For this reason the electric resistance between the connections of the high-pressure hose must be equal to or lower than 1MΩ.
- For reasons of function, safety and durability use only original Titan high-pressure hoses.
- Before each use, check all hoses for cuts, leaks, abrasion or bulging of cover. Check for damage or movement of couplings. Immediately replace the hose if any of these conditions exist. Never repair a paint hose. Replace it with another earthed high-pressure hose.
- Make sure power cord, air hose and spray hoses are routed in such a manner to minimize slip, trip and fall hazard.



**WARNING: EXPLOSION OR FIRE**

Flammable vapors, such as solvent and paint vapors, in work area can ignite or explode.



**PREVENTION:**

- Do not spray flammable or combustible materials near an open flame, pilot lights or sources of ignition such as hot objects, cigarettes, motors, electrical equipment and electrical appliances. Avoid creating sparks from connecting and disconnecting power cords.
- Use extreme caution when using materials with a flashpoint below 100°F (38°C). Flashpoint is the temperature that a fluid can produce enough vapors to ignite.
- Paint or solvent flowing through the equipment is able to result in static electricity. Static electricity creates a risk of fire or explosion in the presence of paint or solvent fumes. All parts of the spray system, including the pump, hose assembly, spray gun and objects in and around the spray area shall be properly grounded to protect against static discharge and sparks. Use only conductive or grounded high-pressure airless paint sprayer hoses specified by the manufacturer.
- Verify that all containers and collection systems are grounded to prevent static discharge.
- Do not use a paint or solvent containing halogenated hydrocarbons. Such as chlorine, bleach mildewcide, methylene chloride and trichloroethane. They are not compatible with aluminum. Contact the coating supplier about compatibility of material with aluminum.
- Keep spray area well ventilated. Keep a good supply of fresh air moving through the area to keep the air within the spray area free from accumulation of flammable vapors. Keep pump assembly in well ventilated area. Do not spray pump assembly.
- Do not smoke in the spray area.
- Do not operate light switches, engines, or similar spark producing products in the spray area.
- Keep area clean and free of paint or solvent containers, rags, and other flammable materials.
- Know the contents of the paint and solvents being sprayed. Read all material Safety Data Sheets (SDS) and container labels provided with the paints and solvents. Follow the paint and solvent manufacture's safety instructions.
- Place pump at least 20 feet (6.1 meters) from the spray object in a well ventilated area (add more hose if necessary). Flammable vapors are often heavier than air. Floor area must be extremely well ventilated. The pump contains arcing parts that emit sparks and can ignite vapors.
- Plastic can cause static sparks. Never hang plastic to enclose spray area. Do not use plastic drop cloths when spraying flammable material.
- Fire extinguisher equipment shall be present and working.



**WARNING: HAZARDOUS VAPORS**

Paints, solvents, and other materials can be harmful if inhaled or come in contact with body. Vapors can cause severe nausea, fainting, or poisoning.

**PREVENTION:**

- Wear respiratory protection when spraying. Read all instructions supplied with the mask to be sure it will provide the necessary protection.

- All local regulations regarding protection against hazardous vapors must be observed.
- Wear protective eyewear.
- Protective clothing, gloves and possibly skin protection cream are necessary for the protection of the skin. Observe the regulations of the manufacturer concerning coating materials, solvents and cleaning agents in preparation, processing and cleaning units.



### WARNING: GENERAL

This product can cause severe injury or property damage.

### PREVENTION:

- Always wear appropriate gloves, eye protection, clothing and a respirator or mask when painting.
- Do not operate or spray near children. Keep children away from equipment at all times.
- Do not overreach or stand on an unstable support. Keep effective footing and balance at all times.
- Stay alert and watch what you are doing.
- Do not operate the unit when fatigued or under the influence of drugs or alcohol.
- Do not kink or over-bend the hose. Airless hose can develop leaks from wear, kinking and abuse. A leak can inject material into the skin.
- Do not expose the hose to temperatures or pressures in excess of those specified by manufacturer.
- Do not use the hose as a strength member to pull or lift the equipment.
- Use lowest possible pressure to flush equipment.
- Follow all appropriate local, state and national codes governing ventilation, fire prevention and operation.
- The United States Government Safety Standards have been adopted under the Occupational Safety and Health Act (OSHA). These standards, particularly part 1910 of the General Standards and part 1926 of the Construction Standards should be consulted.
- Before each use, check all hoses for cuts, leaks, abrasion or bulging of cover. Check for damage or movement of couplings. Immediately replace hose if any of those conditions exist. Never repair a paint hose. Replace with a conductive high-pressure hose.
- Do not spray outdoors on windy days.
- Always unplug cord from outlet before working on equipment (electric models only).

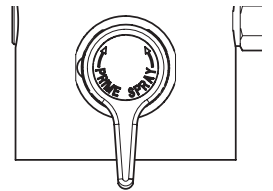
## 2 MAINTENANCE

### 2.1 PRESSURE RELIEF PROCEDURE



**Be sure to follow the Pressure Relief Procedure when shutting down the sprayer for any purpose, including servicing or adjusting any part of the spray system, changing or cleaning spray tips, or preparing for cleanup.**

1. Lock the gun by pushing the gun trigger lock to the locked position.
2. Turn off the sprayer by moving the ON/OFF switch to the OFF position.
3. Turn the pressure control knob counterclockwise to its OFF position in the black zone.
4. Unlock the gun by pushing the gun trigger lock to the unlocked position.
5. Hold the metal part of the gun firmly to the side of a metal container to ground the gun and avoid a build up of static electricity.
6. Trigger the gun to remove any pressure that may still be in the hose.
7. Lock the gun by pushing the gun trigger lock to the locked position.
8. Move the PRIME/SPRAY valve down to the PRIME position.



## 2.1 GENERAL REPAIR AND SERVICE NOTES

The following tools are needed when repairing this sprayer:

Phillips Screwdriver	3/8" Hex Wrench
Needle Nose Pliers	5/16" Hex Wrench
Adjustable Wrench	1/4" Hex Wrench
Rubber Mallet	3/16" Hex Wrench
Flat-blade Screwdriver	5/32" Hex Wrench
	5/64" Hex Wrench

1. Before repairing any part of the sprayer, read the instructions carefully, including all warnings.



**Never pull on a wire to disconnect it. Pulling on a wire could loosen the connector from the wire.**

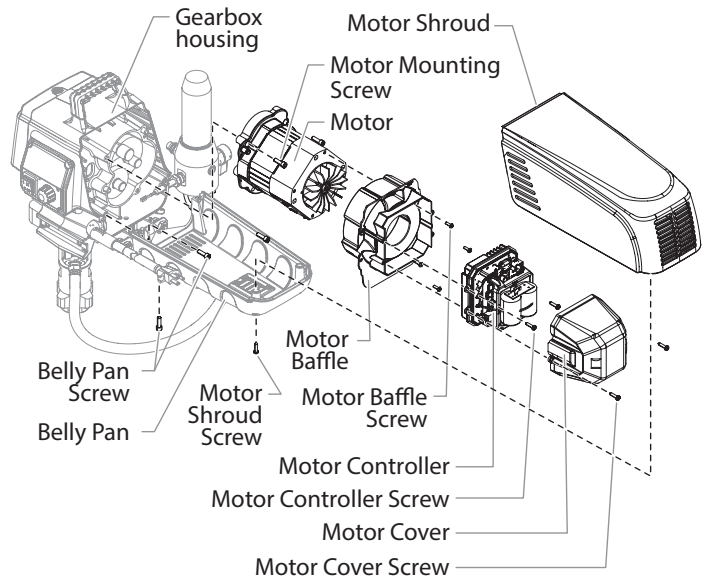
2. Test your repair before regular operation of the sprayer to be sure that the problem is corrected. If the sprayer does not operate properly, review the repair procedure to determine if everything was done correctly. Refer to the Troubleshooting Charts to help identify other possible problems.
3. Make certain that the service area is well ventilated in case solvents are used during cleaning. Always wear protective eyewear while servicing. Additional protective equipment may be required depending on the type of cleaning solvent. Always contact the supplier of solvents for recommendations.
4. If you have any further questions concerning your Titan Airless Sprayer, call Titan:

Customer Service (U.S.) ..... **1-800-526-5362**

## 2.2 REPLACING THE MOTOR

1. Unplug the unit.
2. Loosen and remove the two (2) motor shroud screws. Remove the motor shroud.
3. Loosen and remove the three (3) belly pan screws. Remove the belly pan.
4. Loosen and remove the two (2) motor cover screws. Remove the motor cover.
5. Disconnect all wires between the motor and the sprayer.
6. Loosen and remove the two (2) motor controller screws. Remove the motor controller.
7. Loosen and remove the four (4) motor baffle screws. Remove the motor baffle.
8. Loosen and remove the three (3) motor mounting screws.
9. Pull the motor out of the gearbox housing.
10. With the motor removed, inspect the gears in the gearbox housing for damage or excessive wear. Replace the gears, if necessary.
11. Install the new motor into the gearbox housing.

12. Secure the motor with the three (3) motor mounting screws.
13. Reconnect the wires between the sprayer and the new motor. (refer to the electrical schematic in the Parts List section of this manual).
14. Place the baffle over the end of the motor assembly. Secure with the four (4) motor baffle screws.
15. Place motor controller back into place behind the motor baffle. Secure with the two (2) motor controller screws.
16. Reconnect all wires between the motor and sprayer.
17. Place the motor cover back over the motor controller. Secure with the two (2) motor cover screws.
18. Put the belly pan back in place and secure with the three (3) belly pan screws.
19. Slide the motor shroud over the motor assembly.
20. Secure the motor shroud with the two (2) motor shroud screws.





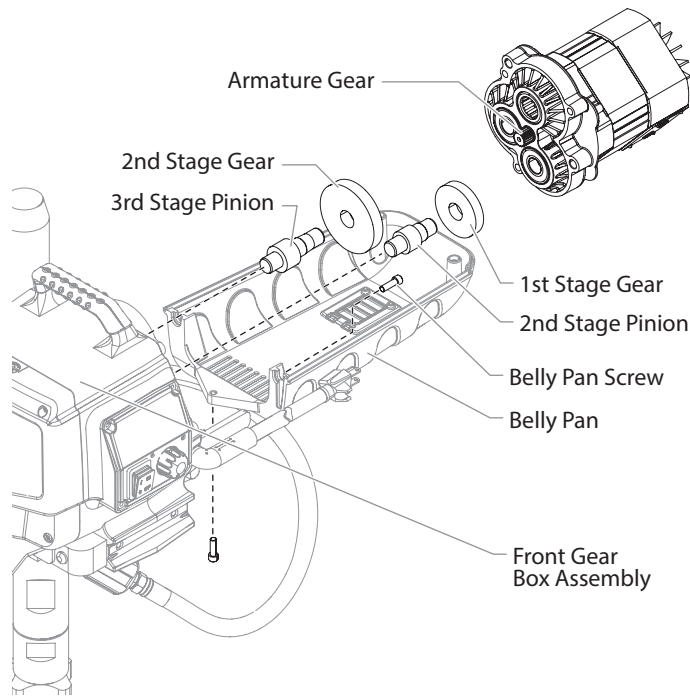
### 2.3 REPLACING THE GEARS

1. Follow steps 1-9 in **Replacing the Motor Assembly** to remove the motor and control panel.
2. Inspect the armature gear on the end of the motor for damage or excessive wear. If the gear is completely worn out, replace the motor assembly.
3. Remove and inspect the 1st stage gear and 2nd stage gear assemblies for damage or excessive wear. Replace, if necessary.
4. Inspect the front gear box assembly for damage or excessive wear. If damaged or worn, replace the front gear box assembly.



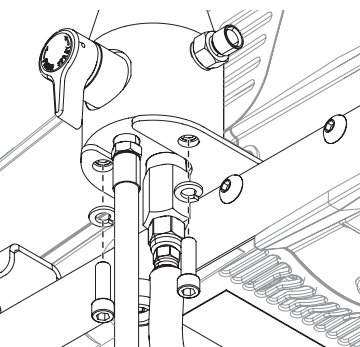
**Clean and refill the gear box cavity up to the rear face of each gear with Lubriplate (P/N 314-171).**

5. Reinstall the motor into the gearbox housing.
6. Follow steps 11-20 in **Replacing the Motor Assembly** to replace the motor and control panel.



### 2.4 REPLACING THE TRANSDUCER

1. Unplug the unit.
2. Loosen and remove the two (2) filter assembly bolts. Slide the filter assembly from the cart.
3. Loosen and remove the two (2) motor shroud screws. Remove the motor shroud.
4. Loosen and remove the two (2) motor cover screws. Remove the motor cover.

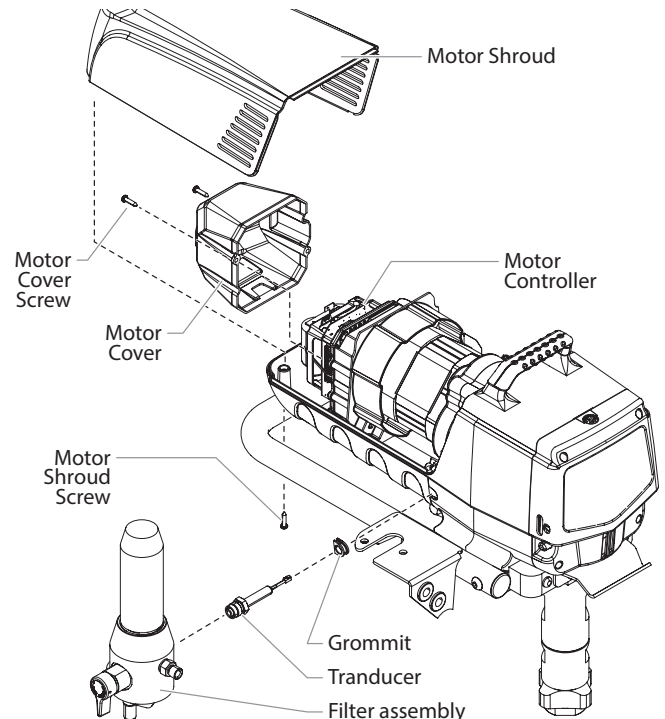


5. Disconnect the transducer wire from the motor controller.
6. Pull the grommet out of the mounting plate and slide it up the shaft of the transducer until it is clear of the mounting plate.
7. Using a wrench, loosen and remove the transducer from the filter housing. Carefully thread the transducer wire out through the mounting plate.
8. Slide the grommet off of the old transducer and onto the new transducer.
9. Thread the new transducer wire through the mounting plate and back to the motor controller.
10. Thread the new transducer into the filter housing and tighten securely with a wrench.



**Make sure the o-ring on the transducer is in place before threading the transducer into the filter housing.**

11. Push the grommet into the mounting plate.
12. Connect the transducer wire to the motor controller (refer to the electrical schematic in the Parts List section of this manual).
13. Place the motor cover back over the motor controller. Secure with the two (2) motor cover screws.
14. Slide the motor shroud over the motor assembly.
15. Secure the motor shroud with the two (2) motor shroud screws.

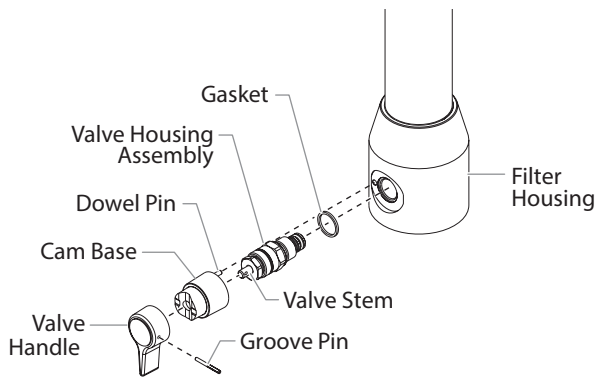




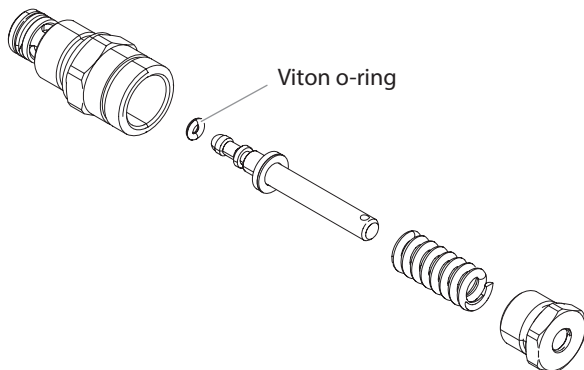
## 2.5 REPLACING THE PRIME/SPRAY VALVE

Perform the following procedure using PRIME/SPRAY valve replacement kit P/N 700-248.

1. Push the groove pin out of the valve handle.
2. Remove the valve handle and the cam base.
3. Using a wrench, loosen and remove the valve housing assembly.
4. Make sure the gasket is in place and thread the new valve housing assembly into the filter block. Tighten securely with a wrench.
5. Place the cam base over the valve housing assembly. Lubricate the cam base with grease and line up the cam with the filter block using the dowel pin.
6. Line up the hole on the valve stem with the hole in the valve handle.
7. Insert the groove pin into the valve handle and through the valve stem to secure the valve handle in position.



**When using "HOT" solvents, replace Viton o-ring with optional PTFE o-ring (700-897). Install with o-ring tool (700-890).**



## 2.6 SERVICING THE FLUID SECTION

Use the following procedures to service the valves and repack the fluid section. Perform the following steps before performing any maintenance on the fluid section.

1. Loosen and remove the foot valve housing from the lower housing.
2. Clean out any debris in the foot valve housing and examine the housing and the foot valve seat. If the seat is damaged, reverse or replace the seat.
3. Using two wrenches, hold the upper housing at the wrench flats with one wrench and loosen the lower housing with the other. Remove the lower housing.
4. Using a 3/8" hex wrench, loosen and remove the outlet valve retainer from the piston rod.



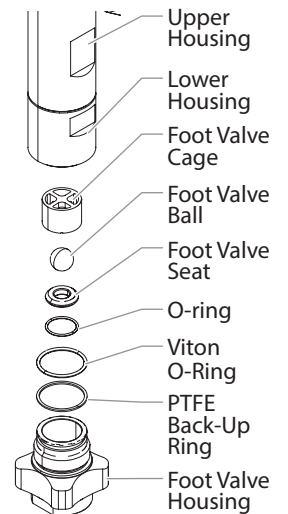
**Before proceeding, follow the Pressure Relief Procedure outlined previously in this manual. Additionally, follow all other warnings to reduce the risk of an injection injury, injury from moving parts or electric shock. Always unplug the sprayer before servicing!**

5. Clean out any debris and examine the retainer and outlet valve seat. If the seat is damaged, reverse or replace the seat.
6. Remove, clean, and inspect the outlet valve cage and outlet valve ball. Replace if they are worn or damaged.
7. Reassemble the valves by reversing the steps above.

### SERVICING THE VALVES

The design of the fluid section allows access to the foot valve and seat as well as the outlet valve and seat without completely disassembling the fluid section. It is possible that the valves may not seat properly because of debris stuck in the foot valve seat or outlet valve seat. Use the following instructions to clean the valves and reverse or replace the seats.

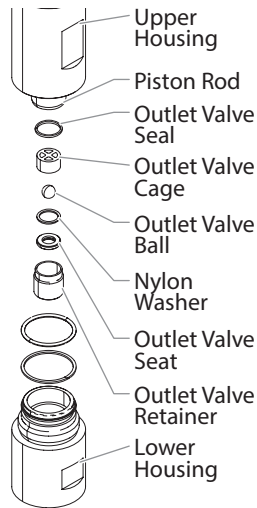
1. Loosen and remove the foot valve housing from the lower housing.
2. Clean out any debris in the foot valve housing and examine the housing and the foot valve seat. If the seat is damaged, reverse or replace the seat.
3. Using two wrenches, hold the upper housing at the wrench flats with one wrench and loosen the lower housing with the other. Remove the lower housing.



- Using a 3/8" wrench, loosen and remove the outlet valve retainer from the piston rod.



**Always service the outlet valve with the piston rod attached to the pump. This will prevent the piston rod from rotating during disassembly of the outlet valve.**



- Clean out any debris and examine the retainer and outlet valve seat. If the seat is damaged, reverse or replace the seat.
- Remove, clean, and inspect the outlet valve cage and outlet valve ball. Replace if they are worn or damaged.
- Reassemble the valves by reversing the steps above.



**During reassembly, make sure the Viton o-rings and the PTFE back-up rings between the upper housing and lower housing as well as between the lower housing and the foot valve housing are lubricated with grease and in position.**

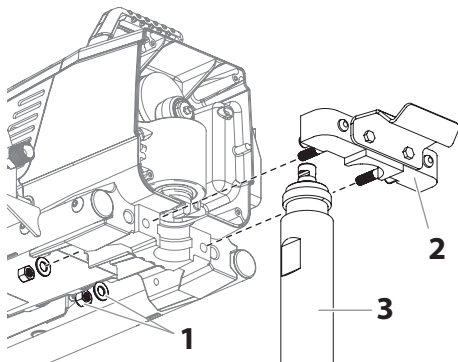
### REPACKING THE FLUID SECTION

- Remove the foot valve assembly and the lower housing using the steps in the "Servicing the Valves" procedure above.



**The outlet valve does not need to be disassembled from the piston rod for this procedure.**

- Loosen and remove the two nuts and washers (1) from underneath the sprayer. Remove the fluid section retainer (2). This will unclamp the entire fluid section (3).

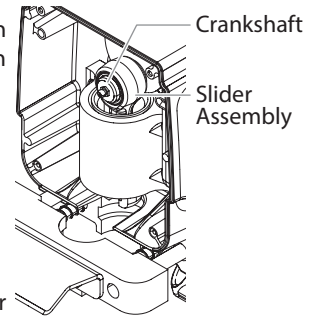


- Slide the fluid section forward to remove it from the gear housing.

- Place the upper housing upright in a vise by clamping on the wrench flats.



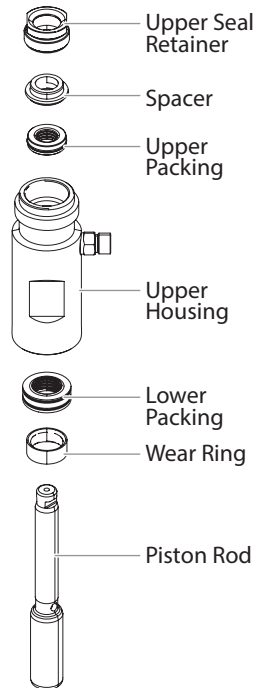
**Do not over-tighten the vise. Damage to the upper housing may occur.**



- Using a wrench, remove the upper seal retainer.
- Slide the piston rod forward until the piston is out of the T-slot on the slider assembly.
- Pull the piston out through the bottom of the upper housing.
- Inspect the piston rod for wear and replace if necessary.
- Remove the upper and lower packings from the upper housing.



**Be careful not to scratch, score, or otherwise damage the upper housing during removal of the packings.**



- Clean the upper housing. Inspect the upper housing for damage and replace if necessary.
- Locate the new upper and lower packings and pack the areas between the packing lips with grease. Lubricate the o-rings on the exterior of the packings with grease.

- Insert the upper packing into the top of the upper housing with the raised lip on the packing facing down.

Install upper packing with raised lip facing down.

- Insert the spacer on top of the upper packing.



Raised Lip

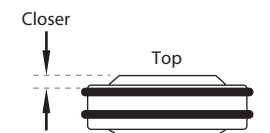
- Thread the upper seal retainer into the upper housing and torque to 25-30 ft. lbs.

- Pre-form the lower packing using the lower packing sizing tool (included in the repacking kit).

- Insert the lower packing partially into the bottom of the upper housing so that the side that has the o-ring closest to the face of the packing faces up.

Install lower packing with the side that has the o-ring closest to the face of the packing facing up.

- Push the lower packing into position using the lower packing insertion tool (see Fluid Section Assembly parts list for lower packing insertion tool P/N).



- Place the piston insertion tool (included in the repacking kit) over the top of the piston rod.

19. Insert the piston rod into the bottom of the upper housing, through the lower packing, through the upper packing, and out through the upper seal retainer.



**When repacking the fluid section, make sure the raised lip on the bottom of the lower packing is fully outside the packing around the piston rod after insertion of the piston rod.**

20. Remove the piston insertion tool from the top of the piston rod.
21. Replace the upper housing back into the fluid section clamp on the gear housing. Make sure to slide the top of the piston rod into the T-slot on the slider assembly.
22. Place the fluid section block back into position over the fluid section. Replace the washers and nuts that secure the fluid section block to the gear housing. Tighten the nuts (torque to 100-130 in-lbs).
23. Making sure that the Viton o-ring and PTFE back-up ring are lubricated and in place, thread the lower housing into the upper housing. Using two wrenches, hold the upper housing at the wrench flats with one wrench and tighten the lower housing with the other.
24. Attach the high-pressure hose to the nipple on the back of the housing and tighten with a wrench. Do not kink the hose.



**Make sure the hose does not touch the cart frame. If it does, reposition the nipple by turning the upper housing until the hose is clear of the frame and the nipple is within 45° of the back of the unit.**

25. Making sure that the Viton o-ring and PTFE back-up ring are lubricated and in place, reassemble the foot valve assembly and thread it into the lower housing. Tighten securely.
26. Thread the siphon tube/siphon set into the foot valve and tighten securely. Make sure to wrap the threads on the down tube/siphon tube adapter with PTFE tape before assembly.
27. Replace the return hose into the clamp on the siphon tube.
28. Place the front cover on the gearbox housing and secure in position using the four front cover screws.
29. Turn on the sprayer by following the procedure in the "Operation" section of this manual and check for leaks.

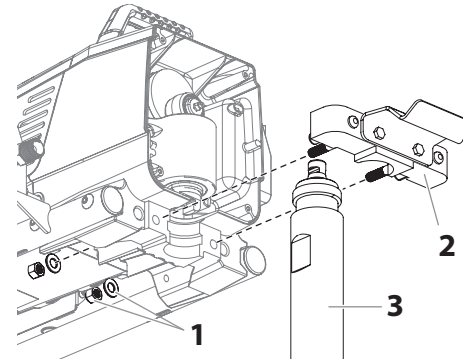


**Repacking kit P/N 0558740 is available. For best results use all parts supplied in this kit.**

## REPLACING THE COMPLETE FLUID SECTION ASSEMBLY

The fluid section for this pump has been designed to be easily replaced by another entire fluid section assembly for on-site replacement. Follow the steps below.

1. Loosen and remove the two nuts and washers (1) from underneath the sprayer. Remove the fluid section retainer (2). This will unclamp the entire fluid section (3).

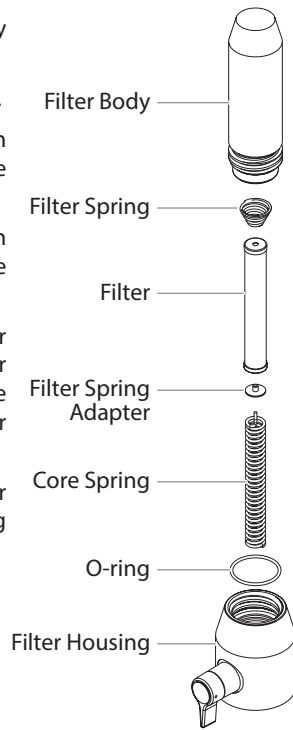


2. Slide the fluid section forward to remove it from the gear housing.
3. Replace the new fluid section back into the the fluid section clamp on the gear housing. Make sure to slide the top of the piston rod into the T-slot on the slider assembly.
4. Place the fluid section block back into position over the fluid section. Replace the washers and nuts that secure the fluid section block to the gear housing. Tighten the nuts (torque to 100-130 in-lbs).

## 2.6 REPLACING THE FILTERS

### PUMP FILTER

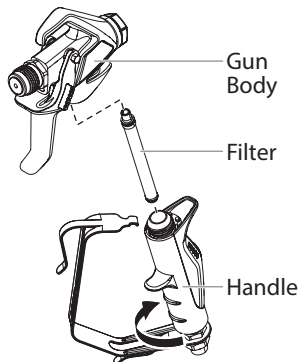
1. Loosen and remove the filter body by hand.
2. Slip the filter off of the core spring.
3. Inspect the filter. Based on inspection, clean or replace the filter.
4. Inspect the o-ring. Based on inspection, clean or replace the o-ring.
5. Slide the new or cleaned filter over the core spring with the filter spring adapter in place. Push the filter into the center of the filter housing.
6. Slide the filter body over the filter and thread it into the filter housing until secure.



**The filter housing should be hand-tightened, but make sure the filter housing is seated fully into the pump block.**

### GUN FILTER


1. Unclip the top of the trigger guard from the gun body.
2. Using the bottom of the trigger guard as a wrench, loosen and remove the handle assembly from the gun head.
3. Pull the old filter out of the gun body. Clean or replace.
4. Slide the new filter, tapered end first, into the gun head.
5. Thread the handle assembly into the gun head. Tighten with the trigger wrench.
6. Snap the trigger guard back onto the gun body.



**For more detail, part number information, and complete assembly drawings, please see the RX-Pro Airless Gun Owner's Manual.**

### 3 TROUBLESHOOTING

Problem	Cause	Solution
A. The unit will not run.	<ol style="list-style-type: none"> <li>1. The unit is not plugged in.</li> <li>2. Tripped breaker.</li> <li>3. The pressure is set too low (pressure control knob set at minimum setting does not supply power to unit).</li> <li>4. Faulty or loose wiring.</li> <li>5. Excessive motor temperature.</li> <li>6. ON/OFF switch is defective.</li> </ol>	<ol style="list-style-type: none"> <li>1. Plug the unit in.</li> <li>2. Reset the breaker.</li> <li>3. Turn the pressure control knob clockwise to supply power to the unit and increase the pressure setting.</li> <li>4. Inspect or take to a Titan authorized service center.</li> <li>5. Allow motor to cool.</li> <li>6. Replace the ON/OFF switch.</li> </ol>
B. The unit will not prime.	<ol style="list-style-type: none"> <li>1. Inlet valve is stuck.</li> <li>2. The PRIME/SPRAY valve is in the SPRAY position.</li> <li>3. Air leak in the siphon tube/suction set.</li> <li>4. The pump filter and/or inlet screen is clogged.</li> <li>5. The siphon tube/suction set is clogged.</li> </ol>	<ol style="list-style-type: none"> <li>1. Insert pusher stem.</li> <li>2. Rotate the PRIME/SPRAY valve clockwise to the PRIME position.</li> <li>3. Check the siphon tube/suction set connection and tighten or re-tape the connection with PTFE tape.</li> <li>4. Remove the pump filter element and clean. Remove the inlet screen and clean.</li> <li>5. Remove the siphon tube/suction set and clean.</li> </ol>
C. The unit will not build or maintain pressure.	<ol style="list-style-type: none"> <li>1. The spray tip is worn.</li> <li>2. The spray tip is too large.</li> <li>3. The pressure control knob is not set properly.</li> <li>4. The pump filter, gun filter, or inlet screen is clogged.</li> <li>5. Material flows from the return hose when the PRIME/SPRAY valve is in the SPRAY position.</li> <li>6. Air leak in the siphon tube/suction set.</li> <li>7. There is external fluid leak.</li> <li>8. There is an internal fluid section leak (packings are worn and/or dirty, valve balls are worn).</li> <li>9. Worn valve seats</li> <li>10. Motor powers but fails to rotate</li> </ol>	<ol style="list-style-type: none"> <li>1. Replace the spray tip following the instructions that came with the spray gun.</li> <li>2. Replace the spray tip with a tip that has a smaller orifice following the instructions that came with the spray gun.</li> <li>3. Turn the pressure control knob clockwise to increase the pressure setting.</li> <li>4. Remove the pump filter element and clean. Remove the gun filter and clean. Remove the inlet screen and clean.</li> <li>5. Clean or replace the PRIME/SPRAY valve.</li> <li>6. Check the siphon tube/suction set connection and tighten or re-tape the connection with PTFE tape.</li> <li>7. Check for external leaks at all connections. Tighten connections, if necessary.</li> <li>8. Clean the valves and service the fluid section following the "Servicing the Fluid Section" procedure in the Maintenance section of this manual.</li> <li>9. Reverse or replace the valve seats following the "Servicing the Fluid Section" procedure in the Maintenance section of this manual.</li> <li>10. Take unit to a Titan authorized service center.</li> </ol>
D. Fluid leakage at the upper end of the fluid section.	<ol style="list-style-type: none"> <li>1. The upper packing is worn.</li> <li>2. The piston rod is worn.</li> </ol>	<ol style="list-style-type: none"> <li>1. Repack the pump following the "Servicing the Fluid Section" procedure in the Maintenance section of this manual.</li> <li>2. Replace the piston rod following the "Servicing the Fluid Section" procedure in the Maintenance section of this manual.</li> </ol>
E. Excessive surge at the spray gun.	<ol style="list-style-type: none"> <li>1. Wrong type of airless spray hose.</li> <li>2. The spray tip worn or too large.</li> <li>3. Excessive pressure.</li> </ol>	<ol style="list-style-type: none"> <li>1. Replace hose with a minimum of 50' of 1/4" grounded textile braid airless paint spray hose.</li> <li>2. Replace the spray tip following the instructions that came with the spray gun.</li> <li>3. Rotate the pressure control knob counterclockwise to decrease spray pressure.</li> </ol>
F. Poor spray pattern.	<ol style="list-style-type: none"> <li>1. The spray tip is too large for the material being used.</li> <li>2. Incorrect pressure setting.</li> <li>3. Insufficient fluid delivery.</li> <li>4. The material being sprayed is too viscous.</li> </ol>	<ol style="list-style-type: none"> <li>1. Replace the spray tip with a new or smaller spray tip following the instructions that came with the spray gun.</li> <li>2. Rotate the pressure control knob to adjust the pressure for a proper spray pattern.</li> <li>3. Clean all screens and filters.</li> <li>4. Add solvent to the material according to the manufacturer's recommendations.</li> </ol>
G. The unit lacks power.	<ol style="list-style-type: none"> <li>1. The pressure adjustment is too low.</li> <li>2. Improper voltage supply.</li> </ol>	<ol style="list-style-type: none"> <li>1. Rotate the pressure control knob clockwise to increase the pressure setting.</li> <li>2. Reconnect the input voltage for 120V AC.</li> </ol>

Nom	1040
N° de modèle	0552600
<b>Caractéristiques techniques</b>	
Débit (GPM)	1,15 (4,35 LPM)
Embout, dimension max.	1 pistolet - 0,033"
	2 pistolet - 0,021"
Pression max.	22,8 MPa
Poids	44,5 kg
Tuyau de pulvérisation dimension max.	91,4 m
Source de puissance	2,5 HP moteur DC de Brushless, 100~120V AC, 50/60Hz, 15A
Génératrice	5000 W (désactiver la mort en fonction)
<b>Accessoires inclus</b>	
Pistolet	RX-Pro
Tuyau	15 m N° de pièce 316-505
Filtre	60 mailles, N° de pièce 0089958
<b>Modes d'emploi</b>	
Mode d'emploi, (N° de form 0552896)	Anglais / français / espagnol Inclus avec l'appareil et disponible en ligne, <a href="http://www.titantool.com">www.titantool.com</a>
Manuel d'entretien (N° de form 2424937)	Anglais / français / espagnol disponible en ligne, <a href="http://www.titantool.com">www.titantool.com</a>
Mode d'emploi, RX-Pro (N° de form 0538801)	Toutes les langues Inclus avec l'appareil et disponible en ligne, <a href="http://www.titantool.com">www.titantool.com</a>
<b>Conformité</b>	
	Se conforme à UL STD 1450. Certifié au NON 68 de CSA C 22,2 N° 68

<b>1</b>	<b>PRESCRIPTIONS DE SÉCURITÉ POUR LA PROJECTION AIRLESS</b>	<b>16</b>
1.1	Explication des symboles utilisés	16
1.2	Directives de mise à la terre	16
1.3	Dangers pour la sécurité	17
<b>2</b>	<b>ENTRETIEN</b>	<b>18</b>
2.1	Procédure de décompression	18
2.2	Généralités concernant la maintenance	19
2.3	Remplacement du moteur	19
2.4	Remplacement des engrenages	19
2.5	Remplacement du transducteur	20
2.6	Remplacement de la soupape PRIME/SPRAY	21
2.7	Maintenance de la section des liquides	21
2.8	Remplacement des filtres	24
<b>3</b>	<b>DÉPANNAGE</b>	<b>25</b>
	<b>LISTE DE PIÈCES DE RECHANGE</b>	<b>38</b>
	Vue d'ensemble	38
	Boîte d'engrenages	40
	Ensemble de chariot	41
	Section des liquides	42
	Ensemble de filtre	44
	Étiquettes	45
	Schéma de raccordement électrique	45
	<b>ACCESSOIRES</b>	<b>46</b>
	<b>GARANTIE</b>	<b>49</b>



# 1 PRESCRIPTIONS DE SÉCURITÉ

## 1.1 EXPLICATION DES SYMBOLES UTILISÉS

Veillez lire et être sûr de comprendre toutes les informations contenues dans ce manuel avant d'utiliser l'appareil. Lorsque vous pénétrez dans une zone qui contient les symboles suivants, soyez particulièrement vigilant et vérifiez que les systèmes de sécurité sont bien installés.



→ Ce symbole indique un risque potentiel pouvant entraîner des blessures graves ou même mortelles. Vous trouverez ci-après d'importantes consignes de sécurité.



Attention

→ Ce symbole indique un risque potentiel pour vous ou pour l'appareil. D'importantes informations sur la manière d'éviter tout dommage de l'équipement ou d'éviter des blessures légères sont indiquées ci-après.



→ Danger de blessure par injection de produit



→ Danger d'incendie



→ Risque d'explosion



→ Vapeurs toxiques et/ou inflammables. Danger d'intoxication et de brûlure



→ Risque de choc électrique



→ Les notes contiennent des informations qui doivent être consciencieusement respectées.

## 1.2 DIRECTIVES DE MISE À LA TERRE

Cet appareil doit être mis à la terre. En cas de court-circuit, cette précaution réduit les risques de choc en procurant un parcours au courant électrique. Le cordon de l'appareil est doté d'un fil de terre relié à la troisième broche de sa fiche. Cette dernière doit être branchée dans une prise correctement câblée et mise à la terre conformément aux codes et règlements locaux.



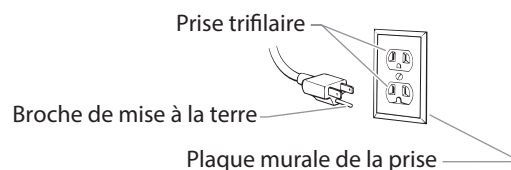
**MISE EN GARDE - Le fait de ne pas brancher correctement la fiche trifilaire de l'appareil peut entraîner des risques de choc électrique.**

Si on doit réparer ou remplacer le cordon ou la fiche, ne pas raccorder le fil de terre à la borne des broches plates (lames) de cette dernière. Ce fil, normalement vert (avec ou sans rayures jaunes), doit être relié à la broche de terre.

Consulter un technicien ou un électricien qualifié à défaut de comprendre l'ensemble des présentes directives ou en cas d'incertitude quant à la mise à terre de l'appareil. Ne pas modifier la

fiche de l'appareil; si elle ne s'adapte pas dans la prise voulue, la faire remplacer par un électricien qualifié.

Conçu pour les circuits de 120 V, cet appareil est doté d'une fiche ressemblant à celle illustrée ci-dessous. S'assurer que le produit est connecté à une prise électrique ayant la même configuration que la fiche mâle. Ne pas utiliser d'adaptateur avec ce produit.



## 1.3 DANGERS POUR LA SÉCURITÉ



### RISQUE : BLESSURE PAR PROJECTION

Un courant de liquide à haute pression produit par cet équipement peut percer la peau et les tissus sous-cutanés, et entraîner des blessures graves ou une amputation.

Ne traitez pas une blessure par injection comme simple coupure. En cas de blessure de la peau par l'injection de peintures ou de solvants, consultez sans retard un médecin. Renseignez le médecin sur la nature de la peinture ou du solvant utilisés.

#### PRÉVENTION :

- Ne dirigez pas le pistolet sur et ne pulvérisez pas les personnes ou les animaux.
- N'approchez pas les mains ni d'autres parties du corps de la sortie du produit. Par exemple, ne tentez pas d'arrêter une fuite avec une partie du corps.
- NE JAMAIS mettre la main, même gantée, devant le pistolet (les gants n'offrent aucune protection contre les blessures par injection).
- TOUJOURS s'assurer que le protège-embout est en place avant de pulvériser. Il est cependant à noter que, s'il assure une certaine protection, ce dispositif joue surtout un rôle préventif.
- Utilisez exclusivement un embout de buse spécifié par le fabricant.
- Prenez garde quand vous nettoyez ou que vous changez les embouts de buse. Si l'embout se bouche pendant que vous pulvérisez, verrouillez TOUJOURS la détente du pistolet, arrêtez la pompe et libérez toute la pression avant de réparer ou de nettoyer l'embout ou le protecteur ou avant de changer d'embout. La pression n'est pas libérée par l'arrêt du moteur. La poignée du robinet-valve PRIME/SPRAY doit être placée sur PRIME pour libérer la pression. Consultez la PROCÉDURE DE DÉCOMPRESSION décrite dans le manuel de la pompe.
- Ne laissez pas l'appareil sous tension ou sous pression quand vous vous en éloignez. Quand vous n'utilisez pas l'appareil, éteignez-le et libérez la pression conformément aux instructions du fabricant.
- La pulvérisation à haute pression peut injecter des toxines dans le corps et causer de graves blessures corporelles. Si une telle injection se produisait, consultez immédiatement un médecin.
- Vérifiez les tuyaux et les pièces pour détecter des signes d'endommagement : une fuite peut injecter le produit dans la peau. Inspectez le tuyau avant chaque emploi. Changez tous les tuyaux ou pièces endommagés. Pour des raisons de fonctionnement,

de sécurité et de durée de vie, utiliser exclusivement des tuyaux flexibles à haute pression d'origine de TITAN.

- Ce système peut produire une pression de 3 300 PSI / 22,8 MPa. N'utilisez que les pièces de rechange ou les accessoires spécifiés par le fabricant et ayant une pression nominale minimum de 3 300 PSI. Ceci est valable pour les embouts de pulvérisation, les protecteurs de buse, les pistolets, les rallonges, les raccords et le tuyau.
- Verrouillez toujours la détente quand vous ne pulvérisez pas. Vérifiez que le verrou de la détente fonctionne correctement.
- Vérifiez que toutes les connexions sont bien serrées avant d'utiliser l'appareil.
- Sachez comment arrêter l'appareil et le dépressuriser rapidement. Soyez bien familiarisé avec les commandes. La pression n'est pas libérée lorsque le moteur est arrêté. La poignée du robinet-valve PRIME/SPRAY doit être placée sur PRIME pour libérer la pression. Consultez la PROCÉDURE DE DÉCOMPRESSION décrite dans le manuel de la pompe.
- Retirez toujours l'embout de pulvérisation avant de rincer ou de nettoyer le système.



#### REMARQUE À L'INTENTION DES MÉDECINS :

**Les injections cutanées sont des lésions traumatiques; il importe donc de les traiter sans délai. On NE DOIT PAS retarder ce traitement sous prétexte de vérifier la toxicité du produit en cause, celle-ci n'étant conséquente que dans le cas d'injection directe de certains produits dans le système sanguin. Il pourrait s'avérer nécessaire de consulter un plasticien ou un spécialiste en chirurgie reconstructive de la main.**



#### RISQUE : FLEXIBLE À HAUTE PRESSION

Le tuyau de peinture peut présenter des fuites dues à l'usure, aux pincements et aux mauvaises utilisations. Toute fuite peut entraîner une projection de matériau dans la peau. Vérifiez soigneusement le tuyau avant chaque utilisation.

#### PRÉVENTION :

- Il faut éviter de trop plier le flexible; le plus petit rayon ne doit pas être inférieur à 20 cm.
- Protéger le flexible contre le passage de véhicules et éviter le frottement sur des arêtes vives.
- Remplacer immédiatement tout tuyau à haute pression endommagé.
- Ne jamais essayer de réparer un flexible endommagé!
- La charge électrostatique du pistolet et du flexible est évacuée par ce dernier. Pour cette raison, la résistance électrique entre les raccords du flexible doit être égale ou inférieure à 1 mégohm.
- Pour des raisons de fonctionnement, de sécurité et de durée utile utiliser exclusivement des flexibles à haute pression originaux de Titan.
- Avant chaque utilisation, vérifiez que les tuyaux ne présentent ni coupures, ni fuites, ni signes d'abrasion ou de renflement du revêtement. Vérifiez l'état et le mouvement des raccords. Remplacez immédiatement les tuyaux s'ils sont en mauvais état.

Ne réparez jamais un tuyau de peinture. Remplacez-le par un tuyau à haute-pression relié à la masse.

- Assurez vous que le tuyau à air et les tuyaux de pulvérisation sont disposés de façon à éviter les risques de glissade, de trébuchement ou de chute.



#### RISQUE : EXPLOSION ET INCENDIE

Les vapeurs inflammables, telles que les vapeurs de solvant et de peinture, dans une zone de travail peuvent s'enflammer ou exploser.

#### PRÉVENTION :

- Ne pulvérisez pas de matières inflammables ou combustibles près d'une flamme nue, de voyants lumineux ou de sources d'ignition telles que des objets chauds, cigarettes, moteurs, matériel et appareils électriques. Évitez de produire des étincelles en connectant et en déconnectant les cordons électriques.
- S'entourer de toutes les précautions possibles lorsqu'on utilise des produits ayant un point d'éclair inférieur à 38°C (100°F). Le point d'éclair est la température à laquelle le liquide peut créer suffisamment de vapeurs et s'enflammer.
- L'écoulement de peinture ou de solvant dans l'équipement peut produire de l'électricité statique. L'électricité statique crée un risque d'incendie ou d'explosion en présence de fumées de peinture ou de solvant. Toutes les pièces du système du pulvérisateur, y compris la pompe, l'ensemble du tuyau, le pistolet de pulvérisation et les objets dans et autour de la zone de pulvérisation doivent être correctement reliés à la terre pour protéger contre les décharges d'électricité statique et les étincelles. N'utilisez que des tuyaux conducteurs ou reliés à la terre pour pulvérisateurs de peinture sous vide à haute pression, spécifiés par le fabricant.
- Vérifiez que tous les conteneurs ou systèmes de stockage sont reliés à la terre pour éviter les décharges d'électricité statique.
- N'utilisez pas de peinture ou de solvant contenant du halon, par exemple, le chlore, les agents antimoussure à l'eau de Javel, le chlorure de méthylène et le trichloroéthane. Ils ne sont pas compatibles avec l'aluminium. Contactez le fournisseur de revêtements pour connaître la compatibilité du matériau avec l'aluminium.
- La zone de pulvérisation doit toujours être bien aérée. Une bonne quantité d'air frais doit constamment traverser la zone de pulvérisation pour éviter les accumulations de vapeurs inflammables. Le système de pompage doit être placé dans une zone bien aérée. Ne pulvérisez pas le système de pompage.
- Ne fumez pas dans la zone de pulvérisation.
- N'actionnez pas d'interrupteurs électriques, de moteurs ou autres dispositifs produisant des étincelles dans la zone de pulvérisation.
- Maintenez la propreté de la zone et veillez à ce qu'elle ne contienne pas de conteneurs de peinture ou de solvant, de chiffons et autres matières inflammables.
- Sachez ce que contiennent la peinture et les solvants pulvérisés. Lisez les fiches de sécurité du matériel (SDS) et les étiquettes apposées sur les conteneurs de peintures et de solvants. Respectez les consignes de sécurité du fabricant de peinture et de solvant.
- Placez la pompe à une distance minimum de 6,1 mètres (20 pieds) de l'objet à pulvériser, dans une zone bien aérée (ajoutez de la longueur de tuyau si besoin est). Les vapeurs inflammables sont

souvent plus lourdes que l'air. La zone près du sol doit être très bien aérée. La pompe contient des pièces qui produisent des arcs et émettent des étincelles pouvant enflammer les vapeurs.

- Le plastique peut causer des étincelles d'électricité statique. N'accrochez aucun plastique dans une zone de pulvérisation fermée. N'utilisez pas de toiles de protection en plastique quand vous pulvérisez une matière inflammable.
- Ayez un extincteur en bon état de fonctionnement à portée de main.



### RISQUE : VAPEURS DANGEREUSES

Les peintures, solvants, et autres matériaux peuvent être nocifs en cas d'inhalation ou de contact avec la peau. Les vapeurs peuvent entraîner de sérieuses nausées, des syncopes ou des empoisonnements.

#### PRÉVENTION :

- Pendant le travail de protection porter un masque respiratoire. Lisez attentivement toutes les instructions fournies avec le masque pour vous assurer qu'il fournit bien la protection nécessaire.
- Tous les règlements locaux en matière de protection contre les vapeurs toxiques doivent être respectés.
- Portez des protections oculaires.
- Pour protéger la peau il est nécessaire de porter des vêtements de protection, des gants et d'utiliser éventuellement une crème de protection de la peau. Observer les prescriptions des fabricants au sujet des produits de peinture, de nettoyage et des solvants pendant la préparation, la mise en oeuvre et le nettoyage du matériel.



### RISQUE : GÉNÉRALITÉS

peut entraîner des blessures sévères ou des dégâts matériels.

#### PRÉVENTION :

- Portez toujours les gants, la protection oculaire, les vêtements et un respirateur ou masque appropriés quand vous peignez.
- Ne travaillez pas et ne pulvérisez pas près d'enfants. Éloignez toujours les enfants de l'équipement.
- Ne travaillez pas avec les bras au-dessus de la tête ni sur un support instable. Appuyez-vous bien sur les deux pieds pour toujours conserver l'équilibre.
- Soyez attentif et regardez ce que vous faites.
- N'utilisez pas l'appareil quand vous êtes fatigué ou sous l'influence de drogues ou d'alcool.
- Ne faites pas de nœuds avec le tuyau et ne le tordez pas trop. Le tuyau à vide peut présenter des fuites suite à l'usure, les nœuds ou les mauvais traitements. Une fuite risque d'injecter du produit dans la peau.
- N'exposez pas le tuyau à des températures ou des pressions supérieures à celles spécifiées par le fabricant.
- N'utilisez pas le tuyau pour tirer ou soulever l'équipement.
- Utilisez la plus basse pression possible pour rincer l'équipement.
- Respectez tous les codes locaux, étatiques et nationaux qui régulent la ventilation, la prévention d'incendies et le fonctionnement.

- Les normes de sécurité du gouvernement des États-Unis ont été adoptées dans la loi Occupational safety and Health Act (OSHA). Ces normes, en particulier la partie 1910 des Normes générales et la partie 1926 des Normes de construction, doivent être consultées.
- Avant chaque emploi, vérifiez tous les tuyaux pour détecter d'éventuelles coupures, fuites, abrasion ou couvercle bombé. Vérifiez l'état ou le mouvement des accouplements. Changez immédiatement le tuyau si l'une de ces conditions est vérifiée. Ne réparez jamais un tuyau de peinture. Remplacez-le par un tuyau conducteur à haute pression.
- Ne pulvérisez pas à l'extérieur par temps venteux.
- Débranchez toujours le cordon électrique de la prise avant de travailler sur l'équipement.

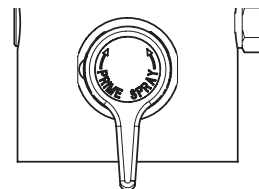
## 2 ENTRETIEN

### 2.1 PROCÉDURE DE DÉCOMPRESSION



**On doit effectuer la procédure de décompression chaque fois qu'on arrête l'appareil pour en faire la maintenance, en changer les réglages de vaporisation, en remplacer/ nettoyer les embouts ou en effectuer la préparation en vue d'un nettoyage.**

1. Verrouiller le pistolet en mettant le verrou de détente à la position appropriée.
2. Arrêter l'appareil en mettant le commutateur à la position OFF.
3. Tourner le bouton de régulation de la pression vers la gauche, jusqu'à la position OFF, dans la zone noire.
4. Déverrouiller le pistolet en mettant le verrou de détente à la position appropriée.
5. Tenir fermement la partie métallique du pistolet contre le bord d'un contenant métallique afin d'éviter une accumulation d'électricité statique.
6. Appuyer sur la détente du pistolet afin de purger tout l'air restant dans le flexible.
7. Verrouiller le pistolet en mettant le verrou de détente à la position appropriée.
8. Abaisser la soupape PRIME/SPRAY à la position PRIME.



## 2.2 GÉNÉRALITÉS CONCERNANT LA MAINTENANCE

Pour réparer ou entretenir le vaporisateur, on pourrait avoir à recourir aux outils suivants :

Tournevis étoile	Clé hexagonale de 1,0 cm (3/8 po)
Pince à bec pointu	Clé hexagonale de 0,8 cm (5/16 po)
Clé à ouverture variable	Clé hexagonale de 0,6 cm (1/4 po)
Maillet en caoutchouc	Clé hexagonale de 0,5 cm (3/16 po)
Tournevis plat	Clé hexagonale de 0,4 cm (5/32 po)
	Clé hexagonale de 0,3 cm (5/64 po)

1. Avant de procéder à la maintenance de n'importe quel composant du vaporisateur, il faut lire attentivement les directives ainsi que tous les avertissements qu'elles contiennent.



**Ne jamais tirer sur le cordon pour le débrancher, ce qui pourrait détacher le connecteur des fils.**

Attention

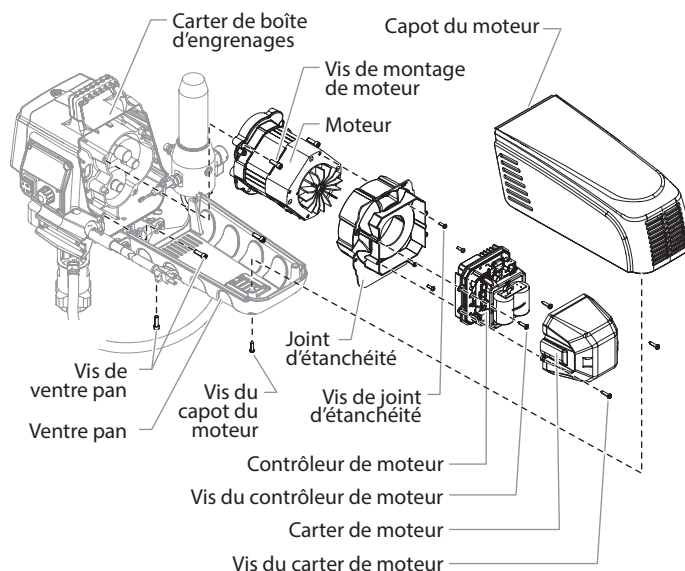
2. Vérifier les résultats de la maintenance effectuée avant d'utiliser le vaporisateur en conditions normales afin de s'assurer que le problème ait bel et bien été corrigé. Si le vaporisateur ne fonctionne toujours pas comme il faut, repasser la procédure pour s'assurer qu'elle ait été bien suivie. Se reporter ensuite à la section Dépannage pour cerner la source potentielle du problème.
3. S'assurer que l'endroit choisi soit bien ventilé si des solvants sont utilisés pour le nettoyage. Toujours porter des lunettes de protection lorsqu'on procède à la maintenance. D'autres dispositifs protecteurs pourraient être requis selon le type de solvant utilisé; on doit toujours communiquer avec le fabricant de ce dernier pour obtenir ses recommandations à cet effet.
4. Pour toute autre question relative à ce vaporisateur à dépression, il suffit de communiquer avec Titan :

Service à la clientèle (É.-U.) ..... **1-800-526-5362**

## 2.3 REMPLACEMENT DU MOTEUR

1. Débranchez l'appareil.
2. Dévissez et retirez les deux (2) vis du capot du moteur. Retirez le capot.
3. Dévissez et retirez les trois (3) vis du ventre pan. Retirez le ventre pan.
4. Dévissez et retirez les deux (2) vis du carter de moteur. Retirez le carter.
5. Débranchez tous les fils reliant le moteur au pulvérisateur.
6. Dévissez et retirez les deux (2) vis du contrôleur de moteur. Retirez le contrôleur de moteur.
7. Dévissez et retirez les quatre (4) vis du joint d'étanchéité du moteur. Retirez le joint d'étanchéité.
8. Dévissez et retirez les trois (3) vis de montage de moteur.
9. Retirez le moteur du carter de boîte d'engrenages.

10. Une fois le moteur retiré, vérifiez si les roues d'engrenage dans le carter de boîte d'engrenages sont endommagées ou très usées. Remplacez les roues d'engrenage au besoin.
11. Placez le nouveau moteur dans le carter de boîte d'engrenages.
12. Fixez solidement le moteur au moyen des trois (3) vis de montage du moteur.
13. Raccordez les fils reliant le pulvérisateur au moteur (consultez le schéma de raccordement électrique sous la rubrique « Liste des pièces » du présent manuel).
14. Placez le joint d'étanchéité au bout de l'ensemble de moteur. Fixez-le solidement au moyen des quatre (4) vis de joint d'étanchéité.
15. Remplacez le contrôleur de moteur derrière le joint d'étanchéité. Fixez-le solidement au moyen des deux (2) vis du contrôleur de moteur.
16. Raccordez tous les fils reliant le moteur au pulvérisateur.
17. Remettez le carter de moteur sur le contrôleur de moteur. Fixez-le solidement au moyen des deux (2) vis du carter de moteur.
18. Remettez en place le ventre pan et fixez-le solidement au moyen des trois (3) vis de ventre pan.
19. Placez le capot du moteur sur l'ensemble de moteur.
20. Fixez solidement le capot du moteur au moyen des deux (2) vis du capot du moteur.





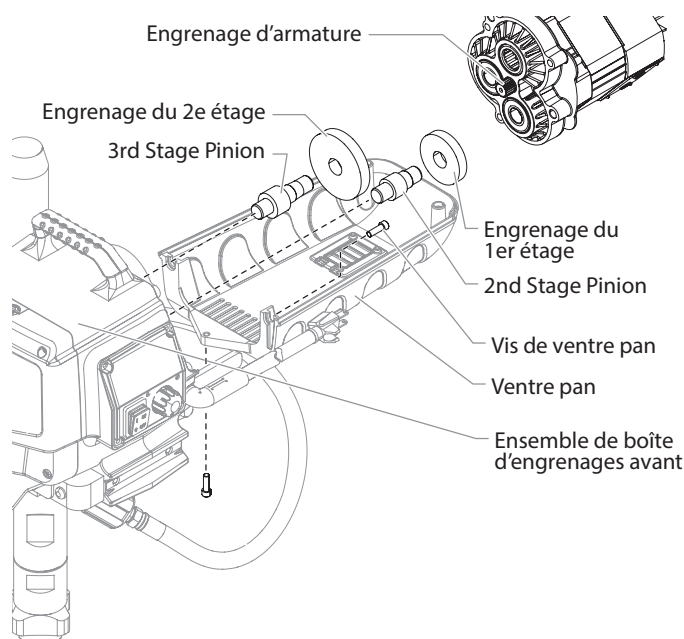
## 2.4 REMPLACEMENT DES ENGRENAGES

1. Suivez les étapes 1 à 9 sous la rubrique Remplacement de l'ensemble de moteur pour retirer le moteur et le panneau de commandes.
2. Vérifiez si l'engrenage d'armature au bout du moteur est endommagé ou très usé. S'il est complètement usé, remplacez l'ensemble de moteur.
3. Retirez les engrenages du 1er et du 2e étage et vérifiez s'ils sont endommagés ou très usés. Remplacez-les au besoin.
4. Vérifiez si l'ensemble de boîte d'engrenages avant est endommagé ou très usé. Le cas échéant, remplacez l'ensemble.



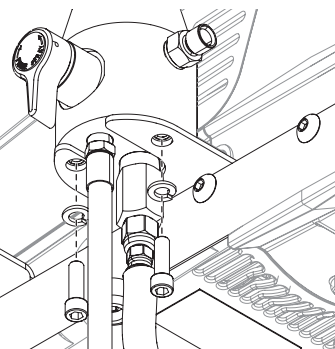
**Nettoyez la cavité de la boîte d'engrenages et la remplir de Lubriplate (no de pièce 314-171) jusqu'à la face arrière de chacun des engrenages.**

5. Remplacez le moteur dans le carter de boîte d'engrenages.
6. Suivez les étapes 11 à 20 sous la rubrique Remplacement de l'ensemble de moteur pour remplacer le moteur et le panneau de commandes.



## 2.5 REMPLACEMENT DU TRANSDUCTEUR

1. Débranchez l'appareil.
2. Dévissez et retirez les deux (2) boulons de l'ensemble de filtre. Retirez l'ensemble de filtre du chariot.
3. Dévissez et retirez les deux (2) vis du capot du moteur. Retirez le capot du moteur.
4. Dévissez et retirez les deux (2) vis du carter de moteur. Retirez le carter du moteur.
5. Débranchez le câble du transducteur du contrôleur de moteur.

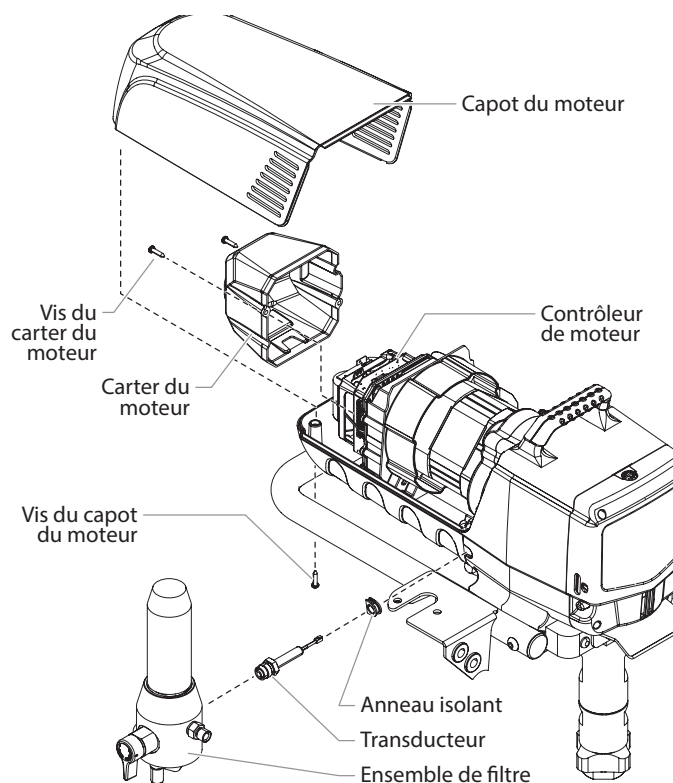


6. Retirez l'anneau isolant de la plaque d'assemblage et faites-le glisser sur l'arbre du transducteur de sorte qu'il ne touche plus la plaque d'assemblage.
7. À l'aide d'une clé plate, dévissez et retirez le transducteur du logement de filtre. Dévissez délicatement le câble du transducteur à travers la plaque d'assemblage.
8. Retirez l'anneau isolant du vieux transducteur et placez-le sur le nouveau.
9. Vissez le câble du nouveau transducteur à travers la plaque d'assemblage et raccordez-le à le contrôleur de moteur.
10. Vissez le nouveau transducteur dans le logement de filtre et fixez-le solidement à l'aide d'une clé plate.



**Assurez-vous que le joint torique du transducteur soit bien en place avant de visser le transducteur dans le logement de filtre.**

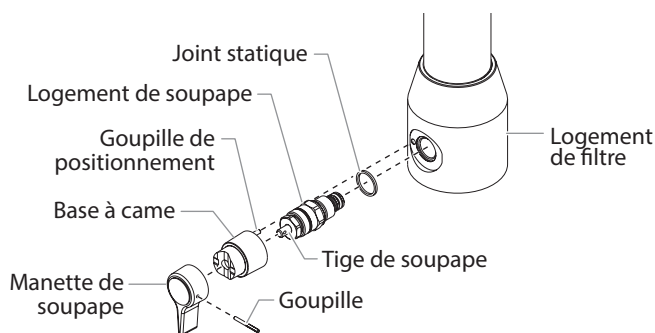
11. Poussez l'anneau isolant dans la plaque d'assemblage.
12. Branchez le câble du transducteur à le contrôleur de moteur (consultez le schéma de raccordement électrique sous la rubrique « Liste des pièces » du présent manuel).
13. Remplacez le carter de moteur sur le contrôleur de moteur. Fixez-le solidement au moyen des deux (2) vis du carter de moteur.
14. Remettez le capot du moteur sur l'ensemble de moteur.
15. Fixez solidement le capot du moteur au moyen des deux (2) vis du capot du moteur.



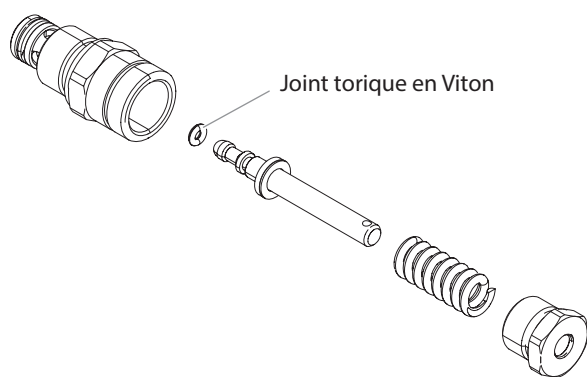
## 2.6 REMPLACEMENT DE LA SOUPE PRIME/SPRAY

Suivez les directives ci-dessous en se servant de la trousse de remplacement de la soupape PRIME/SPRAY (no de pièce 700-248).

1. Poussez la goupille hors de la manette de soupape.
2. Retirez la manette de soupape et la base à came.
3. À l'aide d'une clé plate, desserrez et retirez le logement de soupape.
4. Assurez-vous que le joint statique est bien en place, et vissez le nouveau logement de soupape dans le bloc filtre. Serrez à l'aide d'une clé plate.
5. Placez la base à came sur le logement de soupape. Lubrifiez la base à came à l'aide de graisse et alignez la came avec le bloc filtre à l'aide de la goupille de positionnement.
6. Alignez le trou de la tige de soupape avec celui de la manette de soupape.
7. Insérez la goupille dans la manette de soupape à travers la tige de soupape pour verrouiller la manette de soupape.



**En présence de solvant CHAUDS, remplacer les joints toriques en Viton par ceux en PTFE (700-897), installés au moyen de l'outil approprié (700-890).**



## 2.7 MAINTENANCE DE LA SECTION DES LIQUIDES

Suivez les directives suivantes pour l'entretien des soupapes et le remplacement des garnitures d'étanchéité de la section de liquide. Suivez chacune de ces étapes avant de procéder à l'entretien de la section de liquide.

1. Dévissez et retirez les quatre vis du couvercle avant. Retirez le couvercle avant.
2. Arrêtez le vaporisateur en le bas de course afin que le piston soit à sa position la plus basse.
3. Arrêtez la pompe et débranchez l'appareil.



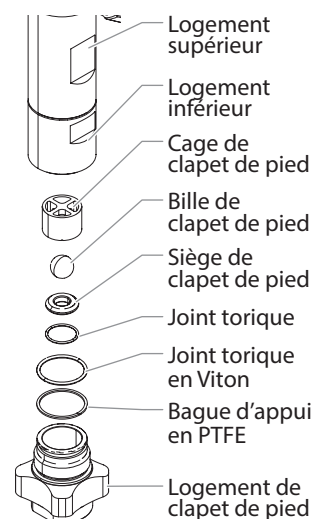
**Avant de procéder, on doit suivre les directives de la section Procédure de décompression du présent manuel. On doit également respecter tous les autres avertissements si on veut éviter les blessures par injection, par contact avec une pièce mobile ou par choc électrique. Le vaporisateur doit toujours être débranché avant d'être entretenu ou réparé.**

4. Retirez le tuyau de retour de la bride de serrage du tube-siphon.
5. Dévissez le tube-siphon/jeu de siphons du clapet de pied.
6. Dévissez et retirez le tuyau à haute pression du raccord derrière le logement supérieur de la section de liquide.

## ENTRETIEN DES SOUPAPES ET CLAPETS

La conception de la section de liquide permet l'accès au clapet de pied et au siège de clapet ainsi qu'à la soupape de sortie et au siège de soupape sans devoir démonter complètement la section de liquide. Il est possible que les soupapes ne soient pas bien assises en raison de la présence de débris coincés dans le siège du clapet de pied ou de la soupape de sortie. Suivez les directives suivantes pour nettoyer les soupapes et les clapets et inverser ou remplacer les sièges.

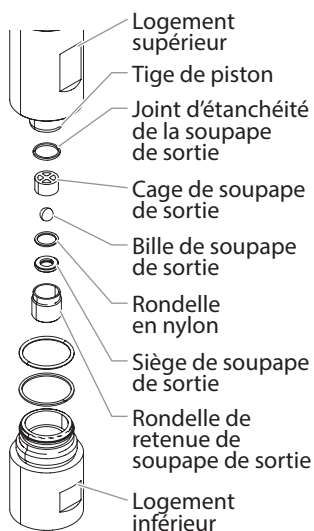
1. Desserrez et retirez le logement de clapet de pied du logement inférieur.
2. Retirez les débris du logement de clapet de pied et examinez le logement et le siège du clapet. Inversez ou remplacez le siège s'il est endommagé.
3. Retenez le logement supérieur aux surplats de serrage à l'aide d'une clé plate, et dévissez le logement inférieur à l'aide d'une autre clé. Retirez le logement inférieur.



- À l'aide d'une clé 3/8 po., dévissez et retirez la rondelle de retenue de soupape de sortie de la tige de piston.



**Assurez-vous que la tige de piston est bien reliée à la pompe avant de procéder à l'entretien de la soupape de sortie. Cette mesure empêchera la tige de piston de pivoter pendant le démontage de la soupape de sortie.**



- Retirez les débris et examinez la rondelle de retenue et le siège de soupape de sortie. Inversez ou remplacez le siège s'il est endommagé.
- Retirez, nettoyez et examinez la cage de soupape de sortie et la bille de soupape de sortie. Remplacez-les si elles sont usées ou endommagées.
- Remontez les soupapes en inversant les étapes ci-dessus.



**Pendant le remontage, assurez-vous que les joints toriques en Viton et les bagues d'appui en PTFE entre les logements supérieur et inférieur et entre le logement inférieur et celui du clapet de pied sont bien en place et lubrifiés à l'aide de graisse.**

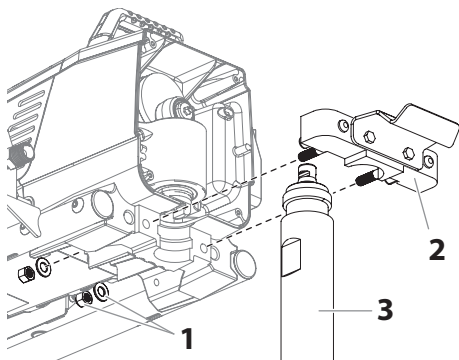
### REPLACEMENT DES GARNITURES D'ÉTANCHÉITÉ DE LA SECTION DE LIQUIDE

- Retirez le clapet de pied et le logement inférieur en suivant les étapes de la rubrique « Entretien des soupapes et clapets » ci-dessus.



**Il n'est pas nécessaire de retirer la soupape de sortie de la tige de piston pour effectuer cette opération.**

- Dévissez et retirez les deux écrous et les deux rondelles (1) au-dessous du pulvérisateur. Retirez la bague d'arrêt de la section des liquides (2). Cela débloque l'ensemble de la section fluide (3).

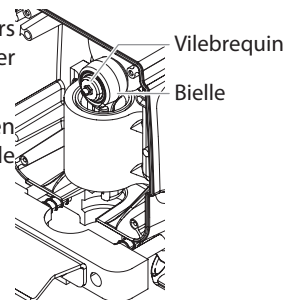


- Glissez la section des liquides vers l'avant pour la retirer du boîtier d'engrenage.

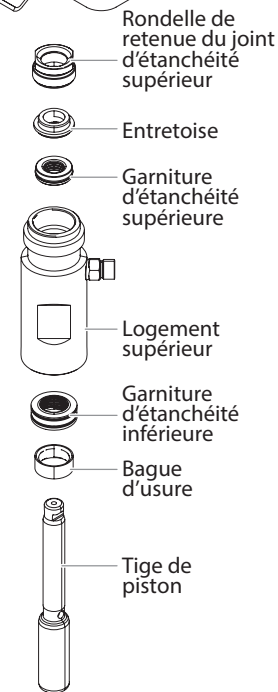
- Placez le logement supérieur en position verticale dans un étau en le serrant aux surplats de serrage.



**Si vous serrez trop l'étau, vous risquez d'endommager le logement supérieur.**



- À l'aide d'une clé plate, retirez la rondelle de retenue du joint d'étanchéité supérieur.
- Faites glisser la tige de piston vers l'avant de manière à la dégager de la rainure en T de la bielle.
- Retirez le piston de la partie inférieure du logement supérieur.
- Vérifiez si le piston porte des marques d'usure et remplacez-le au besoin.
- Retirez les garnitures d'étanchéité supérieure et inférieure du logement supérieur.



**Évitez d'égratigner, de rayer ou d'endommager le logement supérieur en retirant les garnitures.**

- Nettoyez le logement supérieur. Vérifiez si le logement supérieur est endommagé et remplacez-le au besoin.

- Placez les nouvelles garnitures d'étanchéité supérieure et inférieure entre les lèvres d'étanchéité en les lubrifiant à l'aide de graisse. Lubrifiez à l'aide de graisse les joints toriques sur la face extérieure des garnitures d'étanchéité.

- Insérez la garniture d'étanchéité supérieure dans la partie supérieure du logement supérieur, la partie surélevée de la garniture vers le bas.

La partie surélevée du tampon supérieur doivent être vers le bas.

- Insérez l'entretoise dans la partie supérieure de la garniture d'étanchéité supérieure.



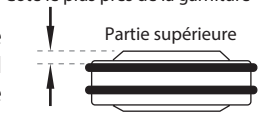
- Vissez la rondelle de retenue du joint d'étanchéité supérieur dans le logement supérieur et serrez au couple de 25 à 30 ft/lb.

- Formez d'avance la garniture d'étanchéité inférieure à l'aide du calibre de la garniture d'étanchéité inférieure (compris dans la trousse de garnitures d'étanchéité).



16. Insérez partiellement la garniture d'étanchéité inférieure dans la partie inférieure du logement supérieur, le côté dont le joint torique est le plus près de la garniture vers le haut.
 

Mettez en place la garniture d'étanchéité inférieure, le côté dont le joint torique est le plus près de la garniture vers le haut
17. Insérez la garniture d'étanchéité inférieure au moyen de l'outil d'insertion de la garniture d'étanchéité inférieure (voir la liste des pièces de la section de liquide pour connaître le numéro de pièce de l'outil d'insertion).
 


18. Placez l'outil d'insertion du piston (compris dans la trousse de garnitures) sur la partie supérieure de la tige du piston.
19. Insérez la tige du piston sous le logement supérieur à travers les garnitures d'étanchéité inférieure et supérieure et la rondelle de retenue du joint d'étanchéité supérieur.



**Lors du remplacement des garnitures d'étanchéité de la section de liquide, assurez-vous que la partie surélevée au bas de la garniture inférieure soit bien à l'extérieur de la garniture sur la tige du piston après l'insertion de cette dernière.**

20. Retirez l'outil d'insertion du piston de la partie supérieure de la tige du piston.
21. Remettez en place le boîtier supérieur dans la pince d'ancrage de section des liquides située sur le boîtier d'engrenage. Assurez-vous de glisser la partie supérieure de la tige de piston dans la rainure de fixation située sur l'ensemble coulisse.
22. Placez l'ensemble de la section des liquides à sa position sur la section des liquides. Remplacez les rondelles y écrous qui fixent l'ensemble de la section des liquides au carter d'engrenage. Fixez-le au moyen des écrous (100-130 in.-lbs.).
23. En s'assurant que le joint torique en Viton et la bague d'appui en PTFE soient lubrifiés et bien en place, vissez le logement inférieur dans le logement supérieur. Tenir le logement supérieur aux surplats de serrage à l'aide d'une clé plate, et serrez le logement inférieur à l'aide d'une autre clé.
24. Raccordez le tuyau à haute pression au raccord au dos du logement et serrez à l'aide d'une clé plate. Ne pliez pas le tuyau.



**Assurez-vous que le tuyau ne touche pas le châssis du chariot. Le cas échéant, faites pivoter le logement supérieur jusqu'à ce que le tuyau ne touche plus le châssis et que le raccord soit à un angle maximal de 45° par rapport au dos de l'appareil.**

25. Assurez-vous que le joint torique en Viton et la bague d'appui en PTFE sont lubrifiés et bien en place; remontez le clapet de pied et vissez-le dans le logement inférieur. Serrez jusqu'à ce qu'il soit solidement fixé.
26. Vissez le tube-siphon/jeu de siphons dans le clapet de pied et vissez jusqu'à ce qu'il soit solidement fixé. Assurez-vous de recouvrir les filets de l'adaptateur du tube intérieur/tube-siphon à l'aide de ruban de PTFE avant le montage.
27. Remettez le tuyau de retour dans la bride de serrage du tube-siphon.

28. Placez le couvercle avant sur le carter de la boîte d'engrenages et fixez-le solidement à l'aide des quatre vis prévues à cette fin.
29. Mettez en marche le pulvérisateur en suivant les directives de la rubrique « Fonctionnement » du présent manuel, et assurez-vous qu'il n'y a aucune fuite.

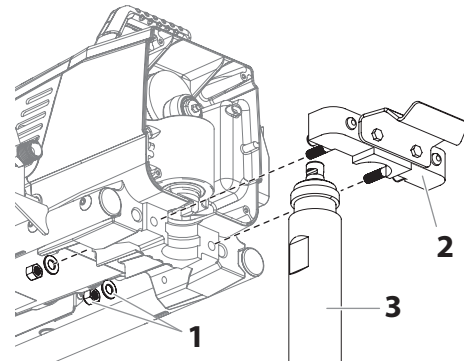


**La trousse de garnitures d'étanchéité (no de pièce 0558740) est offerte. Pour obtenir de meilleurs résultats, utilisez toutes les pièces comprises dans cette trousse.**

## REPLACEMENT DE LA SECTION DE LIQUIDE COMPLET

La section des liquides de la pompe a été conçue de façon à faciliter son remplacement par un autre tronçon d'acheminement complet sur place. Suivre les étapes suivantes.

1. 1. Dévissez et retirez les deux écrous et les deux rondelles (1) au-dessous du pulvérisateur. Retirez le bague d'arrêt de la section des liquides (2). Cela débloque l'ensemble de la section fluide (3).

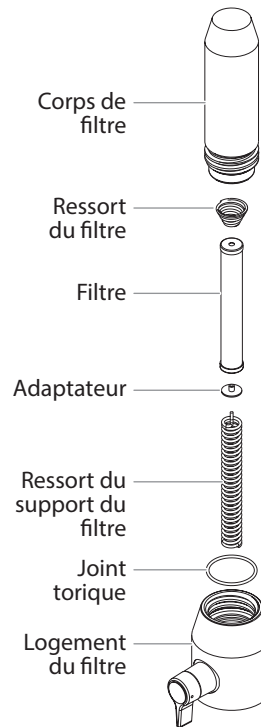


2. Glissez la section des liquides vers l'avant pour la retirer du boîtier d'engrenage.
3. Remettez en place de la nouvelle section de liquide dans la pince d'ancrage de section des liquides située sur le boîtier d'engrenage. Assurez-vous de glisser la partie supérieure de la tige de piston dans la rainure de fixation située sur l'ensemble coulisse.
4. Placez l'ensemble de la section des liquides à sa position sur la section des liquides. Remplacez les rondelles y écrous qui fixent l'ensemble de la section des liquides au carter d'engrenage. Fixez-le au moyen des écrous (100-130 in.-lbs.).

## 2.8 REMPLACEMENT DES FILTRES

### FILTRE DE POMPE

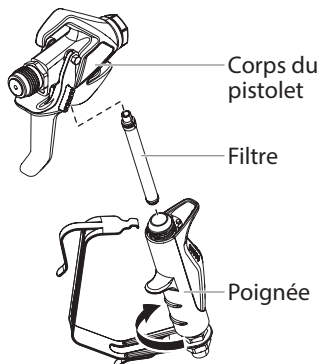
1. Dévissez et retirez manuellement le corps de filtre.
2. Retirez le filtre du ressort intérieur.
3. Examinez le filtre et nettoyez-le ou remplacez-le au besoin.
4. Examinez le joint torique et nettoyez-le ou remplacez-le au besoin.
5. Remettez en place l'adaptateur du ressort intérieur et placez le nouveau filtre ou le filtre nettoyé sur le ressort intérieur. Insérez le filtre au centre du logement de filtre.
6. Glissez le corps de filtre sur le filtre et vissez-le dans le logement de filtre jusqu'à ce qu'il soit solidement fixé.



**Le logement de filtre doit être serré à la main. Assurez-vous qu'il est bien enclavé dans le bloc de la pompe.**

### FILTRE DE PISTOLET


1. Détachez le dessus du pontet de la corps du pistolet.
2. En se servant de la partie inférieure du pontet comme clé, desserrez et enlevez l'ensemble de la poignée de la tête du pistolet.
3. Extrayez le filtre usagé de la corps du pistolet. Nettoyez ou remplacez.
4. Faites glisser le nouveau filtre, la partie fileté en premier, dans la corps du pistolet.
5. Placez le joint de la poignée dans la corps du pistolet avec la partie plate du joint vers la tête du pistolet. Serrez à l'aide de la clé de la détente.
6. Enclenchez à nouveau le pontet sur la corps du pistolet.



**Pour obtenir plus de détails, se renseigner sur les numéros de pièce ou voir des dessins d'assemblage à plus grande échelle, se reporter au manuel de l'utilisateur du pistolet à dépression professionnel RX-Pro.**

### 3 DÉPANNAGE

PROBLÈME	CAUSE	SOLUTION
A. L'appareil ne fonctionne pas.	<ol style="list-style-type: none"> <li>L'appareil n'est pas branché.</li> <li>Disjoncteur déclenché.</li> <li>Le réglage de pression est trop bas (le bouton de commande de la pression au réglage minimum n'envoie pas de puissance au vaporisateur).</li> <li>Câblage défectueux ou débranché.</li> <li>Température excessive du moteur.</li> <li>Commutateur MARCHE/ARRÊT défectueux.</li> <li>Transducteur défectueux.</li> </ol>	<ol style="list-style-type: none"> <li>Brancher l'appareil.</li> <li>Réenclencher le disjoncteur.</li> <li>Faire tourner le bouton de commande de la pression pour alimenter l'appareil et accroître la pression.</li> <li>Vérifier ou le faire réparer dans un centre d'entretien agréé par Titan.</li> <li>Laisser le moteur refroidir.</li> <li>Remplacer le commutateur MARCHE/ARRÊT.</li> <li>Remplacer le transducteur.</li> </ol>
B. L'appareil ne s'amorce pas.	<ol style="list-style-type: none"> <li>La soupape de PRIME/SPRAY est en position SPRAY.</li> <li>Fuite d'air dans le flexible du siphon/d'aspiration.</li> <li>Le filtre de la pompe et/ou le filtre d'entrée sont bouchés.</li> <li>Le flexible de siphon/d'aspiration est bouché.</li> </ol>	<ol style="list-style-type: none"> <li>Faire tourner la soupape PRIME/SPRAY dans le sens des aiguilles d'une montre en position PRIME.</li> <li>Vérifier le branchement du flexible du siphon/d'aspiration et serrer ou recoller le raccord avec du ruban en PTFE.</li> <li>Démonter le filtre de la pompe et le nettoyer. Démontez le filtre d'entrée et le nettoyer.</li> <li>Démonter le flexible du siphon/d'aspiration et le nettoyer.</li> </ol>
C. La pression ne se fait pas dans l'appareil ou la pression n'est pas uniforme.	<ol style="list-style-type: none"> <li>L'embout d'aspiration est usé.</li> <li>L'embout d'aspiration est trop grand.</li> <li>Le bouton de commande de la pression n'est pas correctement fixé.</li> <li>Le filtre de la pompe, le filtre du pistolet ou le filtre d'entrée sont bouchés.</li> <li>Du produit s'échappe du flexible de retour lorsque la soupape de PRIME/SPRAY est en position SPRAY.</li> <li>Fuite d'air dans le flexible du siphon/le flexible d'aspiration.</li> <li>Il y a une fuite de liquide externe.</li> <li>Il y a une fuite interne dans la section des liquides (les tampons graisseurs sont usés et/ou sales, les clapets sont usés).</li> <li>Sièges de soupape usés.</li> <li>Le moteur démarre mais ne tourne pas.</li> </ol>	<ol style="list-style-type: none"> <li>Remplacer l'embout d'aspiration selon les consignes qui accompagnent le pistolet de vaporisation.</li> <li>Remplacer l'embout d'aspiration par un embout à moins large selon les consignes qui accompagnent le pistolet de vaporisation.</li> <li>Tourner le bouton dans le sens des aiguilles d'une montre pour augmenter la pression.</li> <li>Démonter le filtre de la pompe et le nettoyer. Retirez le filtre du pistolet et le nettoyer. Démontez le filtre d'entrée et le nettoyer.</li> <li>Nettoyer ou remplacer la soupape de PRIME/SPRAY.</li> <li>Vérifier le branchement du flexible du siphon/d'aspiration et serrer ou recoller le raccord avec du ruban en PTFE.</li> <li>Vérifier qu'il n'y a pas de fuites externes dans tous les raccords. Resserrer les raccords au besoin.</li> <li>Nettoyer les soupapes et la section des liquides selon la procédure "Maintenance de la Section des Liquides" décrite au chapitre Maintenance de ce manuel.</li> <li>Inverser ou remplacer les sièges de soupape selon la procédure "Maintenance de la Section des Liquides" décrite au chapitre Maintenance de ce manuel.</li> <li>Faire réparer dans un centre d'entretien agréé par Titan.</li> </ol>
D. Fuite de liquide dans la partie supérieure de la section des liquides.	<ol style="list-style-type: none"> <li>Les tampons graisseurs supérieurs sont usés.</li> <li>La tige du piston est usée.</li> </ol>	<ol style="list-style-type: none"> <li>Regarnir selon la procédure "Maintenance de la Section des Liquides" décrite au chapitre Maintenance de ce manuel.</li> <li>Remplacer la tige du piston selon la procédure "Maintenance de la Section des Liquides" décrite au chapitre Maintenance de ce manuel.</li> </ol>
E. Trop grand afflux au pistolet vaporisateur.	<ol style="list-style-type: none"> <li>Mauvais type de flexible de vaporisation sans air.</li> <li>L'embout d'aspiration est usé ou trop grand.</li> <li>Pression excessive.</li> </ol>	<ol style="list-style-type: none"> <li>Remplacer le flexible par un flexible de vaporisation de peinture sans air en tresse de textile de 1/4" et de 15m de longueur.</li> <li>Remplacer l'embout d'aspiration selon les consignes qui accompagnent le pistolet de vaporisation.</li> <li>Faire tourner le bouton de commande de la pression dans le sens inverse des aiguilles d'une montre pour réduire la pression d'évaporation.</li> </ol>
F. Forme de vaporisation incorrecte.	<ol style="list-style-type: none"> <li>L'embout d'aspiration est trop grand pour le produit utilisé.</li> <li>Mauvais réglage de pression.</li> <li>Sortie de liquide insuffisante.</li> <li>Le produit vaporisé est trop visqueux.</li> </ol>	<ol style="list-style-type: none"> <li>Remplacer l'embout d'aspiration par un embout neuf ou plus petit selon les consignes qui accompagnent le pistolet de vaporisation.</li> <li>Faire tourner le bouton de commande de la pression pour régler la pression sur une forme de vaporisation plus adaptée.</li> <li>Nettoyer toutes les crépines et tous les filtres.</li> <li>Ajouter du solvant au produit selon les recommandations du fabricant.</li> </ol>
G. L'outil n'est pas alimenté électriquement.	<ol style="list-style-type: none"> <li>Le réglage de la pression est trop faible.</li> <li>Mauvaise tension d'alimentation.</li> </ol>	<ol style="list-style-type: none"> <li>Faire tourner le bouton de commande de la pression dans le sens des aiguilles d'une montre pour augmenter la pression.</li> <li>Rebrancher sur 120V AC.</li> </ol>

Nombre	1040
Núm. de modelo	0552600
<b>Datos técnicos</b>	
Capacidad (GPM)	1,15 (4,35 LPM)
Tamaño max. de soportes	1 pistola - 0,033"
	2 pistola - 0,021"
Max presión de pulverización	22,8 MPa
Peso	44,5 kg
Manguera, dimensión máxima	91,4 m
Suministro eléctrico	2,5 HP motor DC de Brushless, 100~120V AC, 50/60Hz, 15A
Requisitos eléctricos de generado	5000 W (desactivar característica de hacia abajo)
<b>Accesorios incluidos</b>	
Pistola	RX-Pro
Manguera	15 m, Num. de pieza 316-505
Filtro	60 malla, Num. de pieza 0089958
<b>Manuales de instrucciones</b>	
Instrucciones de uso, (Núm de form 0552896)	Inglés / francés / español Incluido con la unidad y disponible en línea en <a href="http://www.titantool.com">www.titantool.com</a>
Manual de mantenimiento, (Núm de form 2424937)	Inglés / francés / español disponible en línea en <a href="http://www.titantool.com">www.titantool.com</a>
Instrucciones de uso, RX-Pro (Núm de form 0538801)	Todos los idiomas Incluido con la unidad y disponible en línea en <a href="http://www.titantool.com">www.titantool.com</a>
<b>Conforma</b>	
	Se conforma con UL STD 1450. Certificadas para CAN/CSAC 22.2 NO 68.

<b>1</b>	<b>NORMAS DE SEGURIDAD PARA LA PULVERIZACIÓN AIRLESS</b>	<b>28</b>
1.1	Explicación de los símbolos utilizados	28
1.2	Instrucciones para la conexión a tierra	28
1.3	Peligros para la seguridad	29
<b>2</b>	<b>MANTENIMIENTO</b>	<b>30</b>
2.1	Procedimiento para aliviar la presión	30
2.2	Notas generales de reparación y servicio	31
2.3	Reemplazo del motor	31
2.4	Reemplazo de los engranajes	31
2.5	Reemplazo del transductor	32
2.6	Reemplazo de la válvula de PRIME/SPRAY	33
2.7	Servicio a la sección de líquidos	33
2.8	Reemplazo de los filtros	36
<b>3</b>	<b>PROCEDIMIENTO EN CASO DE AVERÍAS</b>	<b>37</b>
	<b>ACCESORIOS Y PIEZAS DE RECAMBIO</b>	<b>38</b>
	Ensamblaje principal	38
	Ensamblaje de la caja de engranajes	40
	Ensamblaje de carro	41
	Ensamblaje de la sección de líquidos	42
	Ensamblaje del filtro	44
	Etiquetas	45
	Esquema eléctrico	45
	<b>ACCESORIOS</b>	<b>46</b>
	<b>GARANTÍA</b>	<b>49</b>

# 1 NORMAS DE SEGURIDAD PARA LA PULVERIZACIÓN AIRLESS

## 1.1 EXPLICACIÓN DE LOS SÍMBOLOS UTILIZADOS

El presente manual contiene información que deberá leer y comprender bien antes de utilizar el equipo. Cuando llegue a una sección que tenga uno de los siguientes símbolos, preste especial atención y asegúrese de que se cumplen las medidas de seguridad.



→ Este símbolo indica un peligro potencial que puede provocar lesiones graves e incluso la muerte. A continuación se incluye información importante de seguridad.



Atención

→ Este símbolo indica un peligro potencial para usted o para el equipo. A continuación se incluye información importante para evitar daños al equipo o evitar situaciones que podrían provocar lesiones de segundo orden.



→ Peligro de lesiones por inyección



→ Peligro de incendio



→ Peligro de explosión



→ Mezclas de vapores tóxicos y/o inflamables. Peligro de intoxicación y quemadura



→ Peligro de descarga eléctrica



→ Las notas añaden información importante a la que debe prestarse especial atención.

## 1.2 INSTRUCCIONES PARA LA CONEXIÓN A TIERRA

Este producto debe conectarse a tierra. En caso de un cortocircuito eléctrico, la conexión a tierra reduce el riesgo de choque eléctrico al aportar un alambre de escape para la corriente eléctrica. Este producto está equipado con un cable que tiene alambre a tierra con un enchufe a tierra adecuado. Debe usarse el enchufe para conectar a un receptáculo que esté debidamente instalado y conectado a tierra en conformidad con los códigos y las ordenanzas locales.

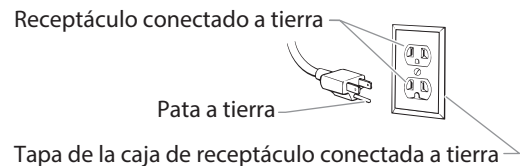


**ADVERTENCIA - La instalación incorrecta del enchufe a tierra puede ocasionar un riesgo de choque eléctrico.**

Si es necesario reparar o cambiar el cable o el enchufe, no conecte el cable verde a tierra a ninguno de las terminales de espiga plana. El cable con aislamiento de color verde por fuera con o sin rayas amarillas es el alambre a tierra y debe conectarse a la espiga a tierra.

Consulte a un electricista o técnico de servicio capacitado si las instrucciones para la conexión a tierra no se entienden claramente o si tiene dudas en cuanto a que el producto esté debidamente conectado a tierra. No modifique el enchufe que se incluye. Si el enchufe no encaja en el receptáculo, pida a un electricista capacitado que instale un receptáculo adecuado.

Este producto es para utilizarse en un circuito de 120 voltios nominales y tiene un enchufe a tierra que tiene un aspecto similar al ilustrado más abajo. Asegúrese que el producto esté conectado a un tomacorriente que tenga la misma configuración que el enchufe. No deben utilizarse adaptadores para este producto.



## 1.3 PELIGROS PARA LA SEGURIDAD



### PELIGRO: LESIÓN CAUSADA POR INYECCIÓN

La corriente de líquido a alta presión que produce este equipo puede perforar la piel y tejidos interiores, pudiendo provocar graves lesiones e incluso hay posibilidad de amputación.

No trate una lesión por pulverización como una lesión de corte inocua. En caso de lesiones cutáneas por contacto con material de recubrimiento o disolvente, consultar inmediatamente a un médico para un tratamiento rápido y correcto. Informe al médico sobre el material de recubrimiento o disolvente utilizado.

### PREVENCIÓN:

- No apunte con la pistola ni pulverice sobre ninguna persona ni animal.
- Mantenga las manos y el resto del cuerpo lejos de la descarga. Por ejemplo, no trate de detener fugas con ninguna parte de su cuerpo.
- NUNCA ponga la mano frente a la pistola. Los guantes no protegen contra una lesión por inyección.
- SIEMPRE mantenga la protección de la boquilla en su sitio al rociar. La protección de la boquilla sirve principalmente de dispositivo de advertencia.
- Utilice solamente la boquilla especificada por el fabricante.
- Tenga cuidado al limpiar y cambiar las boquillas. Si la boquilla se atasca durante la pulverización, ponga SIEMPRE el seguro del gatillo de la pistola, apague la bomba y libere toda la presión antes de reparar, limpiar el protector o la boquilla o cambiar la boquilla. La presión no se libera apagando el motor. Para liberar la presión hay que poner la manija de la válvula PRIME/SPRAY en PRIME. Consulte el Procedimiento de Alivio de Presión que se describe en el manual de la bomba.
- No deje el aparato con corriente ni con presión cuando nadie esté pendiente de ella. Cuando no utilice el aparato, apáguelo y libere la presión siguiendo las instrucciones del fabricante.
- La pulverización a alta presión puede inyectar toxinas en el cuerpo y producir daños graves en el mismo. En caso de que esto ocurra, visite a un médico inmediatamente.
- Compruebe las mangueras y las piezas en busca de daños; una fuga puede inyectar material en la piel. Inspeccione la manguera

antes de cada uso. Sustituya las mangueras o las piezas dañadas. Por razones de funcionamiento, seguridad y duración, emplear únicamente mangueras de alta presión originales de TITAN.

- Este sistema es capaz de producir 3300 PSI / 22,8 MPa. Utilice solamente piezas de repuesto o accesorios especificados por el fabricante y con una capacidad nominal de 3300 PSI como mínimo. Entre ellos se incluyen boquillas pulverizadoras, protectores para las boquillas, pistolas, alargadores, racores y mangueras.
- Ponga siempre el seguro del gatillo cuando no esté pulverizando. Verifique que el seguro del gatillo funciona correctamente.
- Antes de utilizar el aparato, verifique que todas las conexiones son seguras.
- Aprenda a detener el aparato y a liberar la presión rápidamente. Familiarícese a conciencia con los controles. La presión no se libera apagando el motor. Para liberar la presión hay que poner la manija de la válvula PRIME/SPRAY en PRIME. Consulte el Procedimiento de Alivio de Presión que se describe en el manual de la bomba.
- Quite siempre la boquilla pulverizadora antes de enjuagar o limpiar el sistema.



**NOTA PARA EL MÉDICO: La inyección a través de la piel es una lesión traumática. Es importante tratar la lesión tan pronto sea posible. NO retrase el tratamiento para investigar la toxicidad. La toxicidad es un factor a considerar con ciertos revestimientos inyectados directamente en la corriente sanguínea. Puede ser aconsejable consultar con un cirujano plástico o un cirujano especialista en reconstrucción de las manos.**



### PELIGRO: MANGUERA DE ALTA PRESIÓN

En la manguera de pintura pueden aparecer fugas a causa del desgaste, de retorcimientos o de un mal uso. Una fuga puede proyectar material hacia la piel. Revise siempre la manguera antes de usarla.

#### PREVENCIÓN:

- Evitar doblar mucho o plegar la manguera de alta presión, radio de flexión mínimo, aprox. 20 cm.
- No pasar por encima de la manguera de alta presión, protegerla contra contactos con objetos agudos y cantos cortantes.
- Sustituir inmediatamente la manguera de alta presión dañada.
- ¡No reparar nunca una manguera de alta presión defectuosa!
- La carga electrostática de la pistola de pulverización y la manguera de alta presión se descarga a través de la manguera de alta presión. Por esa razón, la resistencia eléctrica entre los empalmes de la manguera de alta presión debe ser igual o menor a un Megaohm.
- Por razones de funcionamiento, seguridad y duración, emplear únicamente mangueras de alta presión originales de Titan.
- Cada vez que vaya a utilizar el equipo, compruebe antes todas las mangueras en busca de cortes, fugas, abrasión o bultos en la cubierta. Compruebe el movimiento de los acoplamientos y si están dañados. Sustituya inmediatamente una manguera si descubre alguna de estas anomalías. No repare nunca una manguera de pintar. Sustitúyala por una manguera a alta presión puesta a tierra.
- Asegúrese de que la manguera de aire y las mangueras de pulverización estén dispuestos de forma que minimicen el peligro de deslizamientos, tropiezos y caídas.



### PELIGRO: EXPLOSIONES E INCENDIOS



Los vapores inflamables, como los vapores de las pinturas y los solventes, pueden encenderse o explotar en el área de trabajo.

#### PREVENCIÓN:

- No pulverice materiales inflamables ni combustibles cerca de llamas desnudas, pilotos o fuentes de ignición como objetos calientes, cigarrillos, motores, equipos eléctricos o electrodomésticos. Evite producir chispas al conectar y desconectar los cables de alimentación.
- Tenga muchísimo cuidado al usar materiales cuyo punto de ignición sea inferior a 38 °C (100 °F). El punto de inflamación es la temperatura a la que un fluido puede producir vapor suficiente como para incendiarse.
- La pintura o disolvente que pase por el equipo puede producir electricidad estática. La electricidad estática supone un riesgo de incendio o explosión en presencia de emanaciones de pintura o disolvente. Todas las piezas del sistema pulverizador, incluyendo la bomba, el conjunto de mangueras, la pistola pulverizadora y los objetos dentro y alrededor de la zona de pulverización se conectarán a tierra para protegerlos frente a descargas estáticas y chispas. Utilice solamente mangueras para pulverizadores de pintura airless (sin aire) de alta presión conductoras o con toma a tierra especificadas por el fabricante.
- Compruebe que todos los recipientes y sistemas de recogida están conectados a tierra para evitar descargas eléctricas.
- No utilice pintura o disolvente que contenga hidrocarburos halogenados, como cloro, fungicida blanqueador, cloruro de metileno y tricloroetano. No son compatibles con el aluminio. Póngase en contacto con el proveedor del material para conocer su compatibilidad con el aluminio.
- Mantenga la zona de pulverización bien ventilada. Asegúrese de que circula aire fresco por la zona para evitar que se acumulen vapores inflamables en el aire de la zona de pulverización. Ponga el conjunto de la bomba en una zona bien ventilada. No pulverice el conjunto de la bomba.
- No fume en la zona de pulverización.
- No encienda interruptores de luces, motores ni productos similares que puedan producir chispas en la zona de pulverización.
- Mantenga la zona limpia y despejada de botes de pintura y disolventes, trapos y otros materiales inflamables.
- Infórmese del contenido de la pintura y de los disolventes que pulverice. Lea las hojas de datos sobre seguridad de los materiales (SDS) y las etiquetas en los botes de pintura y disolvente. Siga las instrucciones de seguridad del fabricante de la pintura y del disolvente.
- Coloque la bomba al menos a 6,1 metros (20 pies) del objeto que se va a pulverizar en una zona bien ventilada (añada más manguera si fuera necesario). Los vapores inflamables suelen ser más pesados que el aire. La zona del suelo debe estar muy bien ventilada. La bomba contiene piezas que forman arcos que producen chispas y pueden inflamar los vapores.
- El plástico puede producir chispas estáticas. Nunca utilice plástico para cercar la zona de pulverización. No utilice cortinas de plástico mientras pulveriza material inflamable.
- Deberá contar con equipos extintores de incendios que funcionen correctamente.





### PELIGRO: VAPORES PELIGROSOS

Las pinturas, disolventes, y otros materiales pueden ser perjudiciales si se inhalan o entran en contacto con el cuerpo. Los vapores pueden provocar náuseas intensas, desmayos o envenenamiento.

#### PREVENCIÓN:

- Ponerse una careta respiratoria durante los trabajos de pulverización. Lea todas las instrucciones facilitadas con la mascarilla para asegurarse de que proporciona toda la protección necesaria.
- Se deben respetar todas las normas de seguridad con respecto a la protección contra vapores dañinos.
- Lleve gafas protectoras.
- Para proteger la piel se necesitan especialmente ropa protectora, guantes y, si es necesario, crema cutánea de protección. Prestar atención a las prescripciones de los fabricantes con respecto a materiales de recubrimiento, disolventes y agentes limpiadores durante la preparación, el tratamiento y la limpieza de los aparatos.



### PELIGRO: GENERAL

Pueden producirse lesiones graves o daños materiales.

#### PREVENCIÓN:

- Cuando pinte, lleve siempre guantes, protección para los ojos, ropa y un respirador o máscara adecuados.
- Nunca utilice el aparato ni pulverice cerca de niños. Mantenga el equipo alejado de los niños en todo momento.
- No se estire demasiado ni se apoye sobre un soporte inestable. Mantenga los pies bien apoyados y el equilibrio en todo momento.
- No se distraiga y tenga cuidado con lo que hace.
- No utilice el aparato si está fatigado o se encuentra bajo la influencia del alcohol o de las drogas.
- No retuerza ni doble la manguera en exceso. En la manguera airless pueden aparecer fugas a causa del desgaste, de retorcimientos o de un mal uso. Una fuga puede inyectar material en la piel.
- No exponga la manguera a temperaturas o presiones que superen las especificadas por el fabricante.
- No utilice la manguera como elemento de fuerza para tirar del equipo o levantarlo.
- Utilice la presión más baja posible para enjuagar el equipo.
- Cumpla todos los reglamentos locales, estatales y nacionales pertinentes relativos a ventilación, prevención de incendios y funcionamiento.
- Las normas sobre seguridad del gobierno de los Estados Unidos se han adoptado al amparo de la Ley de salud y seguridad ocupacional (OSHA). Deben consultarse tres normas, particularmente la sección 1910 de las Normas generales y la sección 1926 de las Normas sobre construcción.
- Cada vez que vaya a utilizar el equipo, compruebe antes todas las mangueras en busca de cortes, fugas, abrasión o bultos en la cubierta. Compruebe el movimiento de los acoplamientos y si están dañados. Sustituya inmediatamente una manguera si descubre alguna de estas anomalías. No repare nunca una manguera de pintura. Sustitúyala por una manguera conductora a alta presión.
- No pulverice al aire libre si hace viento.
- Desenchufe siempre el cable antes de trabajar en el equipo.

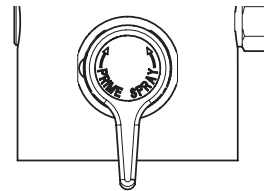
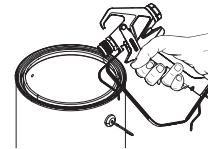
## 2 MANTENIMIENTO

### 2.1 PROCEDIMIENTO PARA ALIVIAR LA PRESIÓN



**No deje de seguir el procedimiento para aliviar la presión cuando apague la unidad por cualquier motivo, incluso el servicio o ajuste de alguna pieza del sistema de rociado, cambio o limpieza de las puntas rociadoras o la preparación para la limpieza.**

1. Bloquee la pistola mueva el seguro del gatillo de la pistola a la posición bloqueada.
2. Apague la unidad moviendo el interruptor de ON/OFF a la posición OFF.
3. Gire la perilla de control de presión en sentido antihorario a su posición OFF en la zona negra.
4. Desbloquee la pistola girando el seguro del gatillo de la pistola a la posición liberada.
5. Sostenga firmemente la parte metálica de la pistola contra el lado de un recipiente metálico para conectar a tierra la pistola y evitar la acumulación de electricidad estática.
6. Accione el gatillo para aliviar toda presión que haya quedado en la manguera.
7. Bloquee la pistola mueva el seguro del gatillo de la pistola a la posición bloqueada.
8. Mueva hacia abajo la válvula PRIME/SPRAY a la posición PRIME.



## 2.2 NOTAS GENERALES DE REPARACIÓN Y SERVICIO

Se necesitan las herramientas siguientes para reparar el rociador:

Destornillador Phillips	Llave hexagonal de 3/8 de pulgada
Alicates de punta	Llave hexagonal de 5/16 de pulgada
Llave ajustable	Llave hexagonal de 1/4 de pulgada
Mazo de goma	Llave hexagonal de 3/16 de pulgada
Destornillador de paleta	Llave hexagonal de 5/32 de pulgada
	Llave hexagonal de 5/64 de pulgada

1. Antes de reparar alguna parte del rociador, lea minuciosamente las instrucciones, incluidas todas las advertencias.



**Nunca tire del cable para desconectarlo. Al hacerlo podría soltarse el conector del cable.**

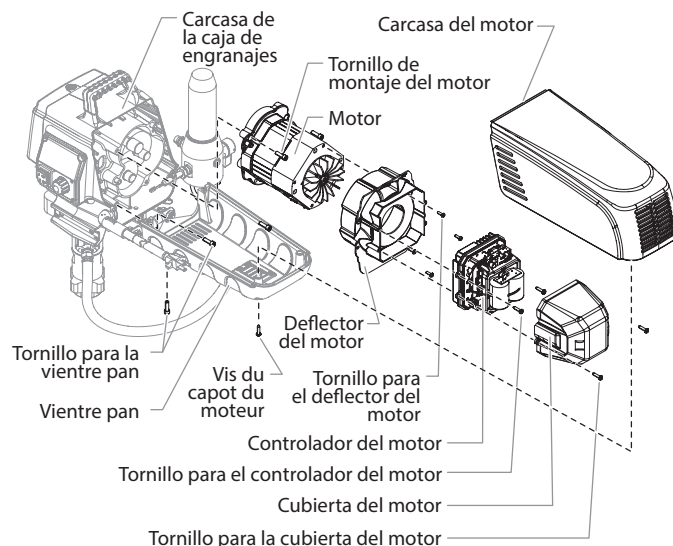
Atención

2. Pruebe su reparación antes de usar rociador normalmente para verificar que se haya resuelto el problema. Si el rociador no funciona bien, revise el procedimiento de reparación para determinar si todo se ha realizado en forma correcta. Consulte los cuadros de Solución de problemas para ayudar a identificar otros problemas posibles.
3. Compruebe que el área de servicio esté bien ventilada en caso de que se estén utilizando solventes durante la limpieza. Al hacer el mantenimiento siempre use gafas de protección. Puede que se necesite equipo protector adicional dependiendo del tipo de solvente de limpieza. Siempre pida recomendaciones al proveedor de solventes.
4. Si tiene otras preguntas referentes al rociador Titan, llame a Titan: Servicio al cliente (EE.UU.)..... **1-800-526-5362**

## 2.3 REEMPLAZO DEL MOTOR

1. Desconecte la unidad.
2. Suelte y retire los dos (2) tornillos de la carcasa del motor. Retire la carcasa del motor.
3. Suelte y retire los tres (3) tornillos de la viente pan. Retire la viente pan.
4. Suelte y retire los dos (2) tornillos de la cubierta del motor. Retire la cubierta del motor.
5. Desconecte todos los cables entre el motor y el pulverizador.
6. Suelte y retire los dos (2) tornillos del controlador del motor. Retire el controlador del motor.
7. Suelte y retire los cuatro (4) tornillos del deflector del motor. Retire el deflector del motor.
8. Suelte y retire los tres (3) tornillos de montaje del motor.
9. Retire el motor de la carcasa de la caja de engranajes.
10. Con el motor retirado, inspeccione los engranajes en la carcasa de la caja de engranajes para saber si hay daños o desgaste excesivo. Reemplace los engranajes, si fuese necesario.

11. Instale el nuevo motor en la carcasa de la caja de engranajes.
12. Fije el motor con los tres (3) tornillos de montaje del motor.
13. Vuelva a conectar los cables entre el pulverizador y el nuevo motor (consulte el esquema eléctrico en la sección Lista de piezas de este manual).
14. Coloque el deflector sobre el extremo del conjunto de motor. Fíjelo con los cuatro (4) tornillos del deflector del motor.
15. Coloque el controlador del motor de vuelta en su lugar detrás del deflector del motor. Fíjelo con los dos (2) tornillos del controlador del motor.
16. Vuelva a conectar todos los cables entre el motor y el pulverizador.
17. Coloque la cubierta del motor de vuelta sobre el controlador del motor. Fíjela con los dos (2) tornillos para la cubierta del motor.
18. Coloque la viente pan de vuelta en su lugar y fíjela con los tres (3) tornillos para la viente pan.
19. Deslice la carcasa del motor sobre el conjunto de motor.
20. Fije la carcasa del motor con los dos (2) tornillos para la carcasa del motor.



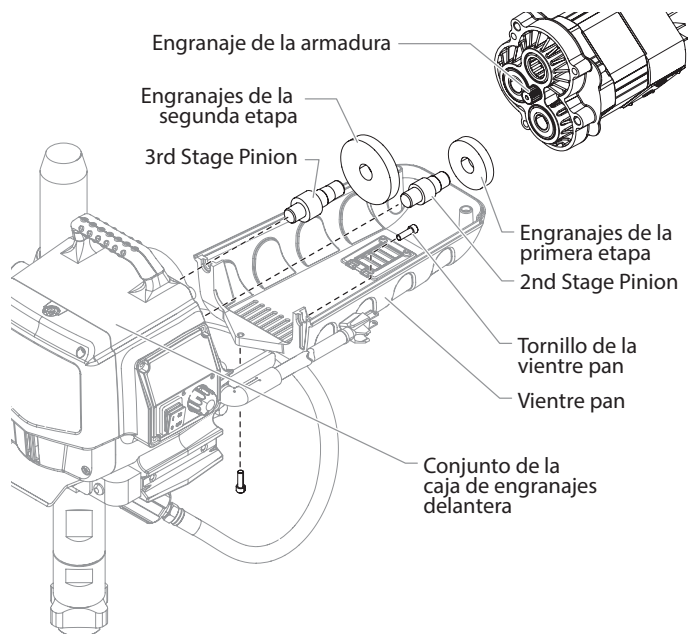
## 2.4 REEMPLAZO DE LOS ENGRANAJES

1. Siga los pasos 1-9 en Reemplazo del conjunto de motor para retirar el motor y el panel de control.
2. Inspeccione el engranaje de la armadura en el extremo del motor para saber si tiene daños o presenta desgaste excesivo. Si el engranaje está completamente desgastado, reemplace el conjunto de motor.
3. Retire e inspeccione los conjuntos de la primera y la segunda etapa de engranajes para saber si tienen daños o presentan desgaste excesivo. Reemplácelos, si fuese necesario.
4. Inspeccione que el conjunto de la caja de engranajes delantera para saber si tiene daños o presenta desgaste excesivo. Si están dañados o desgastados, reemplace el conjunto de la caja de engranajes delantera.



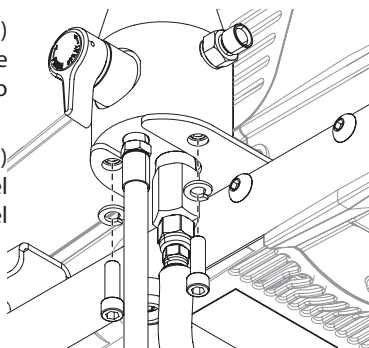
**Limpié y vuelva a llenar la cavidad de la caja de engranajes hasta la superficie posterior de cada engranaje con Lubriplate (N°/P 314-171).**

5. Vuelva a instalar el motor en la carcasa de la caja de engranajes.
6. Siga los pasos 11-20 en Reemplazo del conjunto de motor para reemplazar el motor y el panel de control.



## 2.5 REEMPLAZO DEL TRANSDUCTOR

1. Desconecte la unidad.
2. Suelte y retire los dos (2) pernos del conjunto de filtro. Deslice el conjunto de filtro del carro.
3. Suelte y retire los dos (2) tornillos de la carcasa del motor. Retire la carcasa del motor.

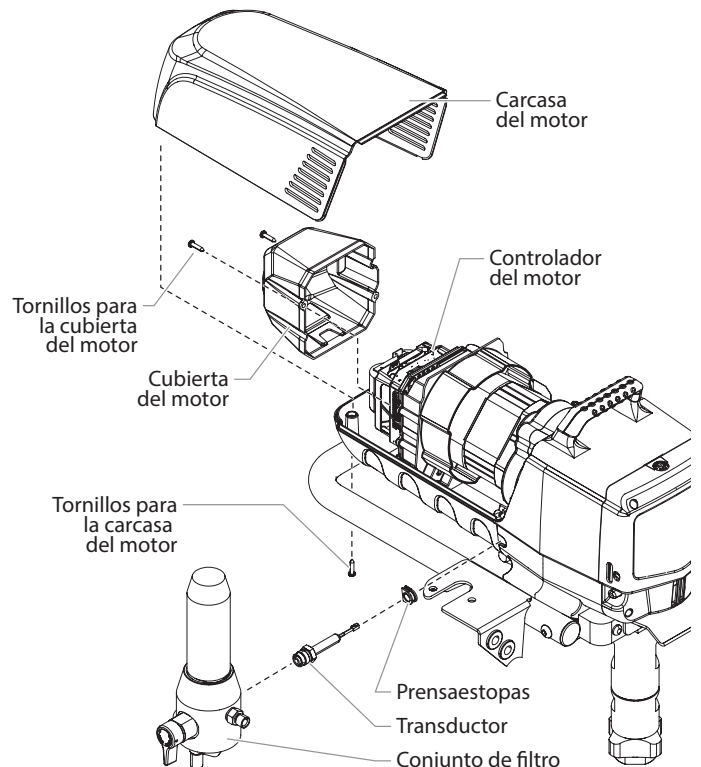


4. Suelte y retire los dos (2) tornillos de la cubierta del motor. Retire la cubierta del motor.
5. Desconecte el cable del transductor del controlador del motor.
6. Tire el prensaestopas fuera de la placa de montaje y deslícelo hacia arriba por el eje del transductor hasta que salga de la placa de montaje.
7. Use una llave para soltar y retirar el transductor de la carcasa del filtro. Pase cuidadosamente el cable del transductor por la placa de montaje.
8. Deslice el prensaestopas fuera del transductor antiguo y sobre el nuevo transductor.
9. Pase el cable del nuevo transductor por la placa de montaje y de vuelta al controlador del motor.
10. Rosque el nuevo transductor en la carcasa del filtro y apriételo firmemente con una llave.



**Asegúrese de que la junta tórica en el transductor esté en su lugar antes de rosar el transductor en la carcasa del filtro.**

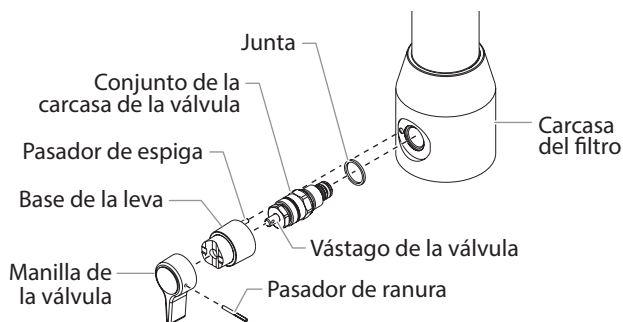
11. Empuje el prensaestopas en la placa de montaje.
12. Conecte el cable del transductor al controlador del motor (consulte el esquema eléctrico en la sección Lista de piezas de este manual).
13. Coloque la cubierta del motor de vuelta sobre el controlador del motor. Fíjela con los dos (2) tornillos para la cubierta del motor.
14. Deslice la carcasa del motor sobre el conjunto de motor.
15. Fije la carcasa del motor con los dos (2) tornillos para la carcasa del motor.



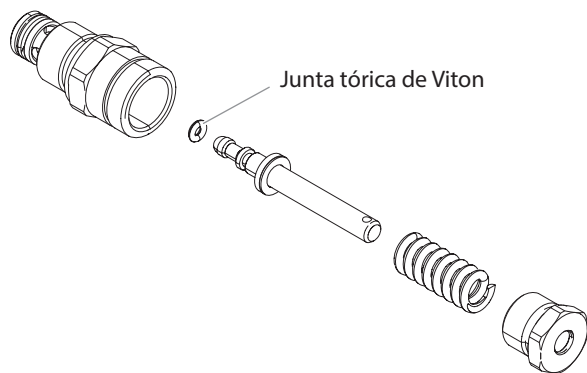
## 2.6 REEMPLAZO DE LA VÁLVULA DE PRIME/SPRAY

Realice el siguiente procedimiento con el juego de reemplazo de válvula PRIME/SPRAY (Cebado/Pulverización) N°/P 700-248.

1. Empuje el pasador de ranura fuera de la manilla de la válvula.
2. Retire la manilla de la válvula y la base de la leva.
3. Con una llave, suelte y retire el conjunto de la carcasa de la válvula.
4. Asegúrese de que la junta esté en su lugar y rosque el conjunto de la carcasa de la válvula nueva en el bloque del filtro. Apriete firmemente con una llave.
5. Coloque la base de la leva sobre el conjunto de la carcasa de la válvula. Lubrique la base de la leva con grasa y alinee la leva con el bloque del filtro usando el pasador de espiga.
6. Alinee el orificio del vástago de la válvula con el orificio de la manilla de la válvula.
7. Inserte el pasador de ranura en la manilla de la válvula y a través del vástago de la válvula para fijar la manilla de la válvula en su posición.



**Cuando se usen solventes "CALIENTES", cambie la junta tórica de Viton por la junta tórica opcional de PTFE (700-897). Instale con una herramienta para juntas tóricas (700-890).**



## 2.7 SERVICIO A LA SECCIÓN DE LÍQUIDOS

Use los siguientes procedimientos para realizar mantenimiento en las válvulas y volver a colocar la empaquetadura de la sección de líquido. Realice los siguientes pasos antes de realizar mantenimiento a la sección de líquido.

1. Suelte y retire los cuatro tornillos de la cubierta delantera. Retire la cubierta delantera.
2. Detenga el rociador en la parte de abajo de la carrera de tal modo que el pistón esté en su posición más baja.
3. Apague la bomba y desconecte la unidad.



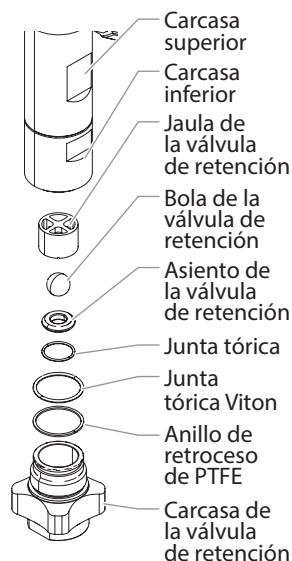
**Antes de proceder, siga el Procedimiento de alivio de presión presentado anteriormente en este manual. Además, siga todas las otras advertencias para reducir el riesgo de una lesión por inyección, lesiones por piezas en movimiento o choque eléctrico. ¡Siempre desenchufe el rociador antes de darle servicio!**

4. Retire la manguera de retorno de la abrazadera del tubo del sifón.
5. Destornille el conjunto de tubo de sifón/sifón de la válvula de retención.
6. Suelte y retire la manguera de alta presión del niple que está en la parte posterior de la carcasa superior de la sección de líquido.

### SERVICIO A LAS VÁLVULAS

El diseño de la sección de líquido permite acceder a la válvula de retención, así como también, a la válvula de salida y al asiento, sin desmontar completamente la sección de líquido. Es posible que las válvulas no se asienten correctamente debido a los desperdicios adheridos al asiento de la válvula de retención o al asiento de la válvula de salida. Use las siguientes instrucciones para limpiar las válvulas e invertir, o reemplazar los asientos.

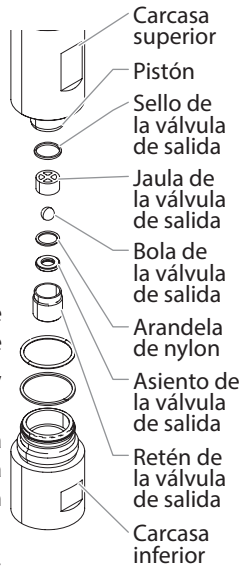
1. Suelte y retire la carcasa de la válvula de retención de la carcasa inferior.
2. Limpie cualquier desperdicio en la carcasa de la válvula de retención, y examine la carcasa y el asiento de la válvula de retención. Si el asiento está dañado, invértalo o reemplácelo.
3. Use dos llaves para sostener la carcasa superior con las partes planas de la llave con una llave y suelte la carcasa inferior con la otra. Retire la carcasa inferior.



- Use una llave de 3/8" para soltar y retirar el retén de la válvula de salida de la biela del pistón.



**Realice siempre mantenimiento a la válvula de salida con la biela del pistón conectada a la bomba. Esto evitará que la biela del pistón gire durante el desmontaje de la válvula de salida.**



- Limpe cualquier desperdicio, y examine el retén y el asiento de la válvula de salida. Si el asiento está dañado, inviértalo o reemplácelo.
- Retire, limpie e inspeccione la jaula de la válvula de salida y la bola de la válvula de salida. Reemplácelos si están desgastados o dañados.
- Vuelva a ensamblar las válvulas invirtiendo los pasos anteriores.



**Durante el reensamblaje, asegúrese de que las juntas tóricas Viton y los anillos de retroceso de PTFE entre la carcasa superior y la inferior, así como también, entre la carcasa inferior y la carcasa de la válvula de retención estén lubricados con grasa y estén en su posición.**

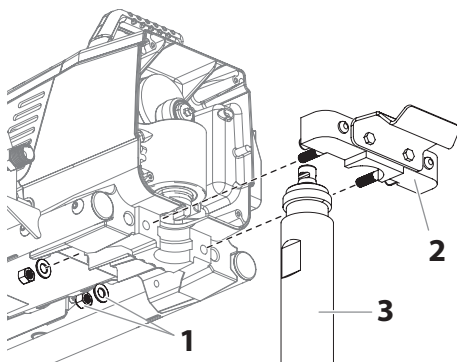
### REEMPLAZO DE EMPAQUETADURAS DE LA SECCIÓN DE LÍQUIDOS

- Retire el conjunto de la válvula de retención y la carcasa inferior con los pasos del procedimiento "Mantenimiento de las válvulas" descrito anteriormente.

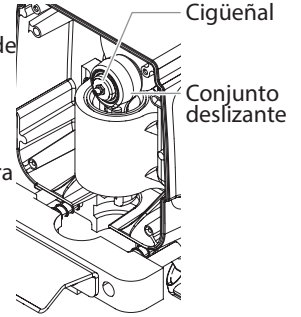


**No es necesario desensamblar la válvula de salida de la biela del pistón para este propósito.**

- Suelte y retire las dos tuercas y arandelas (1) de abajo del pulverizador. Retire el retén de la sección de líquido (2). Esto soltará toda la sección de líquido (3).

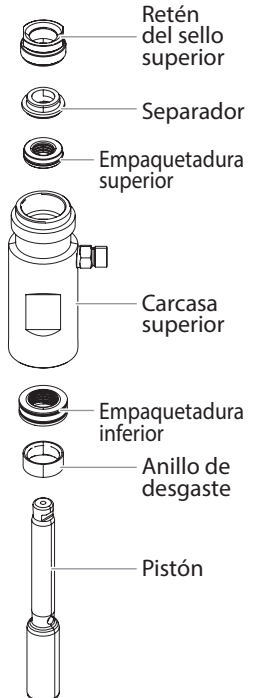


- Deslice la sección de líquido hacia delante para retirarla de la carcasa de engranajes.
- Coloque la carcasa superior en posición vertical en una prensa sujetándola en las partes planas para llaves.



**No apriete en exceso la prensa. Se pueden producir daños en la carcasa superior.**

- Con una llave, retire el retén del sello superior.
- Deslice la biela del pistón hacia delante hasta que el pistón salga de la ranura en T del conjunto deslizante.
- Tire el pistón hacia fuera por la parte inferior de la carcasa superior.
- Inspeccione que la biela del pistón no tenga desgaste y reemplácela si fuese necesario.
- Retire las empaquetaduras superiores e inferiores de la carcasa superior.



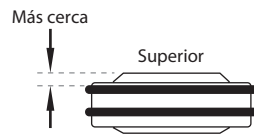
**Tenga cuidado de no rayar, raspar o dañar de otra forma la carcasa superior durante el retiro de las empaquetaduras.**

- Limpe la carcasa superior. Inspeccione la carcasa superior para saber si tiene daños y, si fuese necesario, reemplácela.
- Ubique las nuevas empaquetaduras superior e inferior, y rellene las áreas entre los bordes de la empaquetadura con grasa. Lubrique las juntas tóricas con grasa en el exterior de las empaquetaduras.
- Inserte la empaquetadura superior en la parte superior de la carcasa superior con el labio elevado en la empaquetadura orientado hacia abajo. **Instale la empaquetadura superior con el reborde levantado apuntando hacia abajo.**
- Inserte el separador en la parte superior de la empaquetadura superior. **Reborde levantado**
- Rosque el retén del sello superior en la carcasa superior y apriete de 25 a 30 lb-pie.
- Forme previamente la empaquetadura inferior usando la herramienta de calibración de la misma (incluida en el juego para volver a colocar la empaquetadura).



16. Inserte la empaquetadura inferior parcialmente en la parte inferior de la carcasa superior, de modo que el lado que tenga la junta tórica más cerca de la superficie de la empaquetadura esté orientado hacia arriba.

Instale la empaquetadura inferior con el lado que tenga la junta tórica más cerca de la superficie de la empaquetadura orientado hacia arriba.



17. Presione la empaquetadura inferior en su posición usando la herramienta de inserción de la empaquetadura inferior (consulte la lista de piezas del conjunto de la sección de líquido para conocer el N°/P de la herramienta de inserción de la empaquetadura inferior).
18. Coloque la herramienta de inserción del pistón (se incluye en el juego para volver a colocar la empaquetadura) sobre la parte superior de la biela del pistón.
19. Inserte la biela del pistón en la parte inferior de la carcasa superior a través de la empaquetadura inferior, pasando por la empaquetadura superior y finalmente por el retén del sello superior.



**Cuando vuelva a colocar la empaquetadura de la sección de líquido, asegúrese de que el labio elevado de la parte inferior de la empaquetadura inferior esté completamente fuera de la empaquetadura alrededor de la biela del pistón después de la inserción de la biela del pistón.**

20. Retire la herramienta de inserción del pistón de la parte superior de la biela del pistón.
21. Vuelva a colocar la carcasa superior en la abrazadera de la sección de líquido en la carcasa de engranajes. Asegúrese de deslizar la parte superior de la biela del pistón en la ranura en T, en el conjunto deslizante.
22. Coloque el bloque de la sección de líquido de vuelta en su posición sobre la sección de líquido. Vuelva a colocar las arandelas y tuercas que fijan el bloque de la sección de líquido a la carcasa de engranajes. Apriete los tuercas (100-130 in.-lbs.).
23. Asegúrese de que la junta tórica Viton y el anillo de retención de PTFE estén lubricados y en su lugar, y rosque la carcasa inferior en la carcasa superior. Use dos llaves para sostener la carcasa superior en las partes planas de la llave con una llave y apretar la carcasa inferior con la otra.
24. Conecte la manguera de alta presión en el niple de la parte posterior de la carcasa y apriételo con una llave. No tuerza la manguera.



**Asegúrese de que la manguera no toque la estructura del carro. Si lo hace, vuelva a posicionar el niple girando la carcasa superior hasta que la manguera esté lejos de la estructura y el niple esté dentro de 45° de la parte posterior de la unidad.**

25. Asegúrese de que la junta tórica Viton y el anillo de retención de PTFE estén lubricados y en su lugar; reensamble el conjunto de la válvula de retención y rósquelo en la carcasa inferior. Apriete firmemente.
26. Rosque el conjunto de tubo del sifón/sifón en la válvula de retención y apriételo firmemente. Asegúrese de envolver las roscas del adaptador del tubo descendente/tubo del sifón con cinta de PTFE antes de ensamblarlas.
27. Vuelva a colocar la manguera de retorno en la abrazadera del tubo de sifón.
28. Coloque la cubierta delantera en la carcasa de la caja de engranaje y fíjela en la posición correcta usando los cuatro tornillos de la cubierta delantera.
29. Encienda el pulverizador siguiendo el procedimiento que se indica en la sección "Operación" de este manual y revise en busca de fugas.

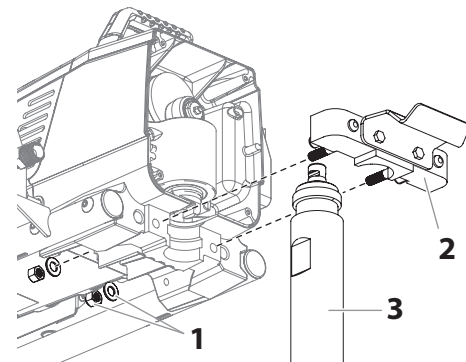


**El juego para volver a colocar la empaquetadura N°/P 0558740 se encuentra disponible. Para obtener mejores resultados, use todas las piezas que se proporcionan en este juego.**

## REEMPLAZO DEL CONJUNTO COMPLETO DE LA SECCIÓN DE LÍQUIDOS

La sección de líquidos para esta bomba ha sido diseñada para reemplazarla fácilmente en el lugar por otro conjunto completo de sección de líquidos. Siga los pasos a continuación.

1. Suelte y retire las dos tuercas y arandelas (1) de abajo del pulverizador. Retire el retén de la sección de líquido (2). Esto soltará toda la sección de líquido (3).

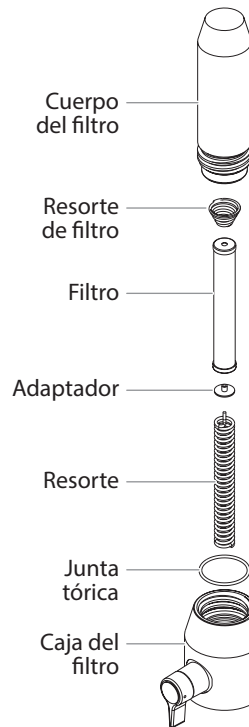


2. Deslice la sección de líquido hacia delante para retirarla de la carcasa de engranajes.
3. Vuelva a colocar la sección de líquido nueva en la abrazadera de la sección de líquido en la carcasa de engranajes. Asegúrese de deslizar la parte superior de la biela del pistón en la ranura en T, en el conjunto deslizante.
4. Coloque el bloque de la sección de líquido de vuelta en su posición sobre la sección de líquido. Vuelva a colocar las arandelas y tuercas que fijan el bloque de la sección de líquido a la carcasa de engranajes. Apriete los tuercas (100-130 in.-lbs.).

## 2.8 REEMPLAZO DE LOS FILTROS

### FILTRO DE LA BOMBA

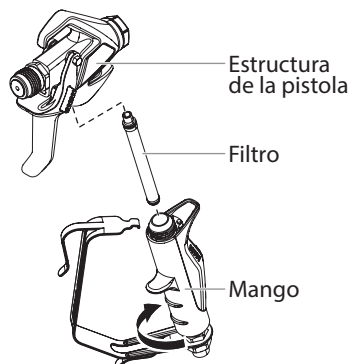
1. Suelte y retire el cuerpo del filtro con la mano.
2. Deslice el filtro fuera del resorte del centro.
3. Inspeccione el filtro. En base a la inspección, limpie o reemplace el filtro.
4. Inspeccione la junta tórica. En base a la inspección, limpie o reemplace la junta tórica.
5. Deslice el filtro limpio o nuevo sobre el resorte del centro con el adaptador del resorte del filtro en su lugar. Empuje el filtro en el centro de la carcasa del filtro.
6. Deslice el cuerpo del filtro sobre el filtro y rósquelo en la carcasa del filtro hasta que quede fijo.



**La carcasa del filtro se debe apretar con la mano, pero asegúrese de que ésta esté asentada completamente en el bloque de la bomba.**

### FILTRO DE LA PISTOLA

1. Desenganche la parte superior del guardamonte desde el estructura de la pistola.
2. Use la base del guardamonte como llave, suelte y retire el conjunto de la mango del cabezal de la pistola.
3. Extraiga el filtro viejo del estructura de la pistola. Limpie o reemplace.
4. Introduzca el nuevo filtro, con el extremo cónico primero, en el estructura de la pistola.
5. Enrosque el conjunto de la empuñadura en el estructura de la pistola hasta que quede bien sujeto. Apriete con la llave del gatillo.
6. Fije el guardamonte de vuelta en el conjunto del estructura de la pistola.



**Para ver mayores detalles, información de números de pieza y dibujos de montaje a mayor escala, consulte el manual del propietario de la pistola sin aire profesional RX-Pro.**



### 3 PROCEDIMIENTO EN CASO DE AVERÍAS

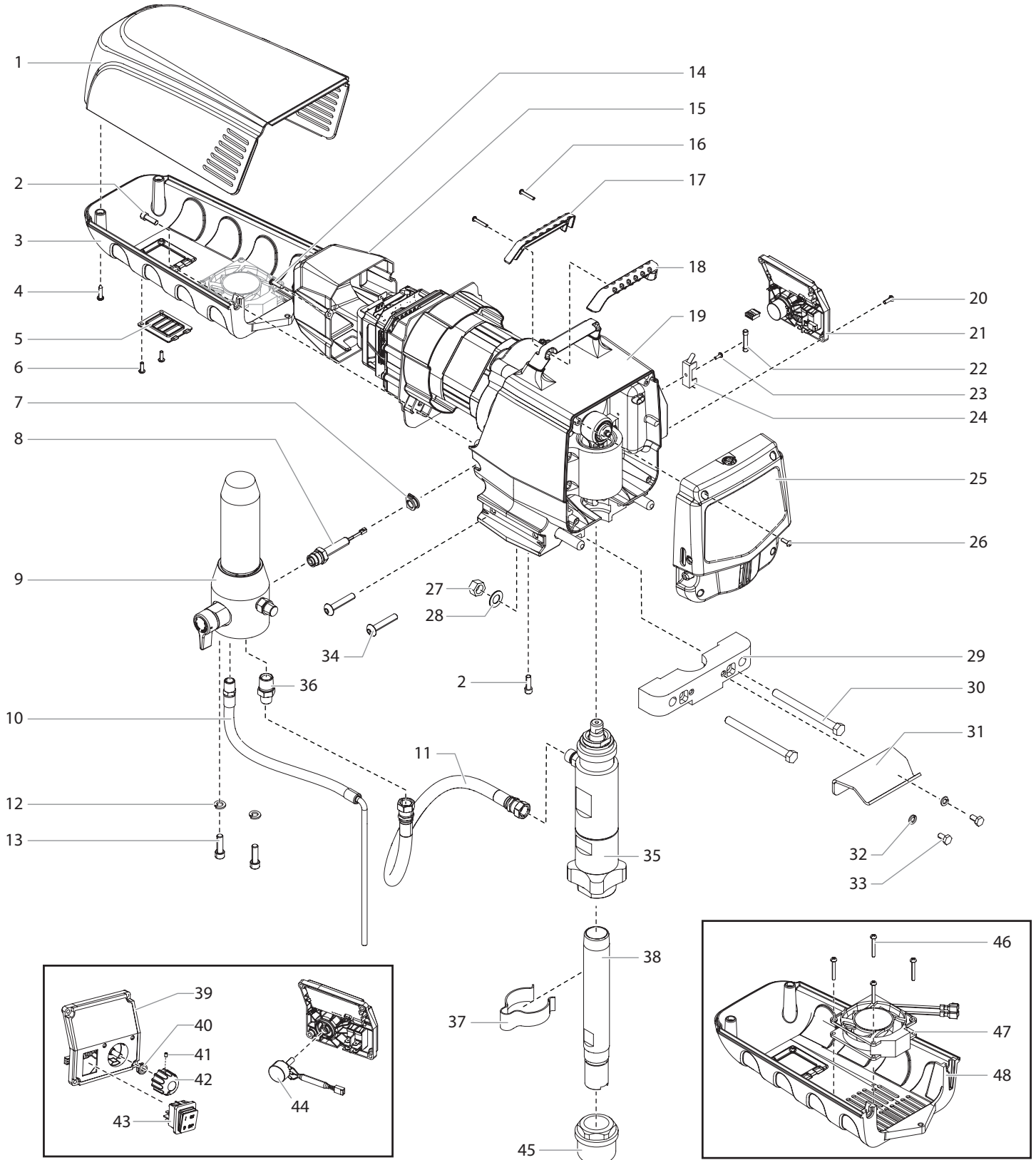
PROBLEMA	CAUSA	SOLUCIÓN
A. No funciona la unidad.	<ol style="list-style-type: none"> <li>1. La unidad no está enchufada.</li> <li>2. Disyuntor disparado.</li> <li>3. Ajuste de presión demasiado bajo (la perilla de control de presión en su ajuste mínimo no suministra energía a la unidad).</li> <li>4. Conexiones defectuosas o sueltas.</li> <li>5. Temperatura excesiva del motor</li> <li>6. Interruptor ON/OFF defectuoso.</li> </ol>	<ol style="list-style-type: none"> <li>1. Enchufe la unidad.</li> <li>2. Reajuste el disyuntor.</li> <li>3. Gire la perilla de control de presión en la dirección de las agujas del reloj para suministrar energía a la unidad y aumentar el ajuste de presión.</li> <li>4. Inspeccione o lleve a un centro de servicio autorizado por Titan.</li> <li>5. Deje que el motor se enfríe.</li> <li>6. Reemplace el interruptor ON/OFF.</li> </ol>
B. No se ceba la unidad.	<ol style="list-style-type: none"> <li>1. La válvula de entrada está atascada.</li> <li>2. La válvula PRIME/SPRAY está en la posición SPRAY.</li> <li>3. Fuga de aire en el tubo de sifón/juego de succión.</li> <li>4. El filtro de bomba y/o la malla de entrada está obstruido.</li> <li>5. El tubo de sifón/juego de succión está obstruido.</li> </ol>	<ol style="list-style-type: none"> <li>1. Inserte la vástago impulsor.</li> <li>2. Gire la válvula PRIME/SPRAY en la dirección de las agujas del reloj hasta la posición PRIME.</li> <li>3. Compruebe la conexión del tubo de sifón/juego de succión y apriete o vuelva a asegurar la conexión con cinta PTFE.</li> <li>4. Quite el elemento del filtro de bomba y límpielo. Quite la malla de entrada y límpiela.</li> <li>5. Quite el tubo de sifón/juego de succión y límpielo.</li> </ol>
C. La unidad no crea presión ni la mantiene.	<ol style="list-style-type: none"> <li>1. La punta rociadora está desgastada.</li> <li>2. La punta rociadora es demasiado grande.</li> <li>3. La perilla de control de presión no está debidamente ajustada.</li> <li>4. El filtro de bomba, el filtro de la pistola o la malla de entrada están obstruidos.</li> <li>5. El material fluye desde la manguera de retorno cuando la válvula PRIME/SPRAY está en la posición SPRAY.</li> <li>6. Fuga de aire en el tubo de sifón/juego de succión.</li> <li>7. Existe una fuga de fluido externa.</li> <li>8. Existe una fuga en la sección de líquidos interna (las empaquetaduras están desgastadas o sucias, las bolas de las válvulas están desgastadas).</li> <li>9. Los asientos de las válvulas están desgastados</li> <li>10. El motor tiene alimentación pero no gira.</li> </ol>	<ol style="list-style-type: none"> <li>1. Quite la punta rociadora siguiendo las instrucciones suministradas con la pistola rociadora.</li> <li>2. Reemplace la punta rociadora por una punta que tenga un orificio más pequeño siguiendo las instrucciones suministradas con la pistola rociadora.</li> <li>3. Gire la perilla de control de presión en la dirección de las agujas del reloj para incrementar el ajuste de presión.</li> <li>4. Quite el elemento del filtro de bomba y límpielo. Quite el filtro de la pistola y límpielo. Quite la malla de entrada y límpiela.</li> <li>5. Limpie o reemplace la válvula PRIME/SPRAY.</li> <li>6. Compruebe la conexión del tubo de sifón/juego de succión y apriete o vuelva a asegurar la conexión con cinta PTFE.</li> <li>7. Compruebe todas las conexiones en busca de fugas externas. Apriete las conexiones, si fuese necesario.</li> <li>8. Limpie las válvulas y de servicio a la sección de líquidos siguiendo el procedimiento de "Servicio a la sección de líquidos" de la sección de Mantenimiento de este manual.</li> <li>9. Invierta o reemplace los asientos de las válvulas siguiendo el procedimiento de "Servicio a la sección de líquidos" de la sección de Mantenimiento de este manual.</li> <li>10. Lleve la unidad a un centro de servicio autorizado por Titan.</li> </ol>
D. Fuga de fluido en el extremo superior de la sección de líquidos.	<ol style="list-style-type: none"> <li>1. Las empaquetaduras superiores están desgastadas.</li> <li>2. La vara del pistón está desgastada.</li> </ol>	<ol style="list-style-type: none"> <li>1. Vuelva a poner las empaquetaduras siguiendo el procedimiento de "Servicio a la sección de líquidos" de la sección de Mantenimiento de este manual.</li> <li>2. Reemplace el vástago del pistón siguiendo el procedimiento de "Servicio a la sección de líquidos" de la sección de Mantenimiento de este manual.</li> </ol>
E. Presión excesiva en la pistola del rociador.	<ol style="list-style-type: none"> <li>1. El tipo de manguera rociadora sin aire es erróneo.</li> <li>2. La punta rociadora está desgastada o es demasiado grande.</li> <li>3. Presión excesiva.</li> </ol>	<ol style="list-style-type: none"> <li>1. Reemplace la manguera por una manguera rociadora sin aire con trenzado textil conectada a tierra de 1/4" con un largo mínimo de 50 pies (15 metros).</li> <li>2. Reemplace la punta rociadora siguiendo las instrucciones suministradas con la pistola rociadora.</li> <li>3. Gire la perilla de control de presión en el sentido contrario a las agujas del reloj para reducir la presión de rociado.</li> </ol>
F. Patrón de atomización deficiente.	<ol style="list-style-type: none"> <li>1. La punta rociadora es demasiado grande para el material que se está utilizando.</li> <li>2. Ajuste de presión incorrecto.</li> <li>3. Paso de líquido insuficiente.</li> <li>4. El material que se está rociando es demasiado viscoso.</li> </ol>	<ol style="list-style-type: none"> <li>1. Reemplace la punta rociadora con una punta rociadora nueva o más pequeña siguiendo las instrucciones suministradas con la pistola rociadora.</li> <li>2. Gire la perilla de control de presión para ajustar la presión para obtener un patrón de rociado adecuado.</li> <li>3. Limpie todas las mallas y filtros.</li> <li>4. Añada solvente al material de acuerdo con las recomendaciones del fabricante.</li> </ol>
G. La unidad no tiene alimentación.	<ol style="list-style-type: none"> <li>1. El ajuste de la presión es demasiado bajo.</li> <li>2. Suministro de tensión inadecuado.</li> </ol>	<ol style="list-style-type: none"> <li>1. Gire la perilla de control de presión en el sentido de las agujas del reloj para aumentar el ajuste de presión.</li> <li>2. Vuelva a conectar la tensión de entrada para 120V AC.</li> </ol>

CUADRO DE PIEZAS DE RECAMBIO

EN MAIN ASSEMBLY

F ENSEMBLE PRINCIPAL

ES CONJUNTO PRINCIPAL



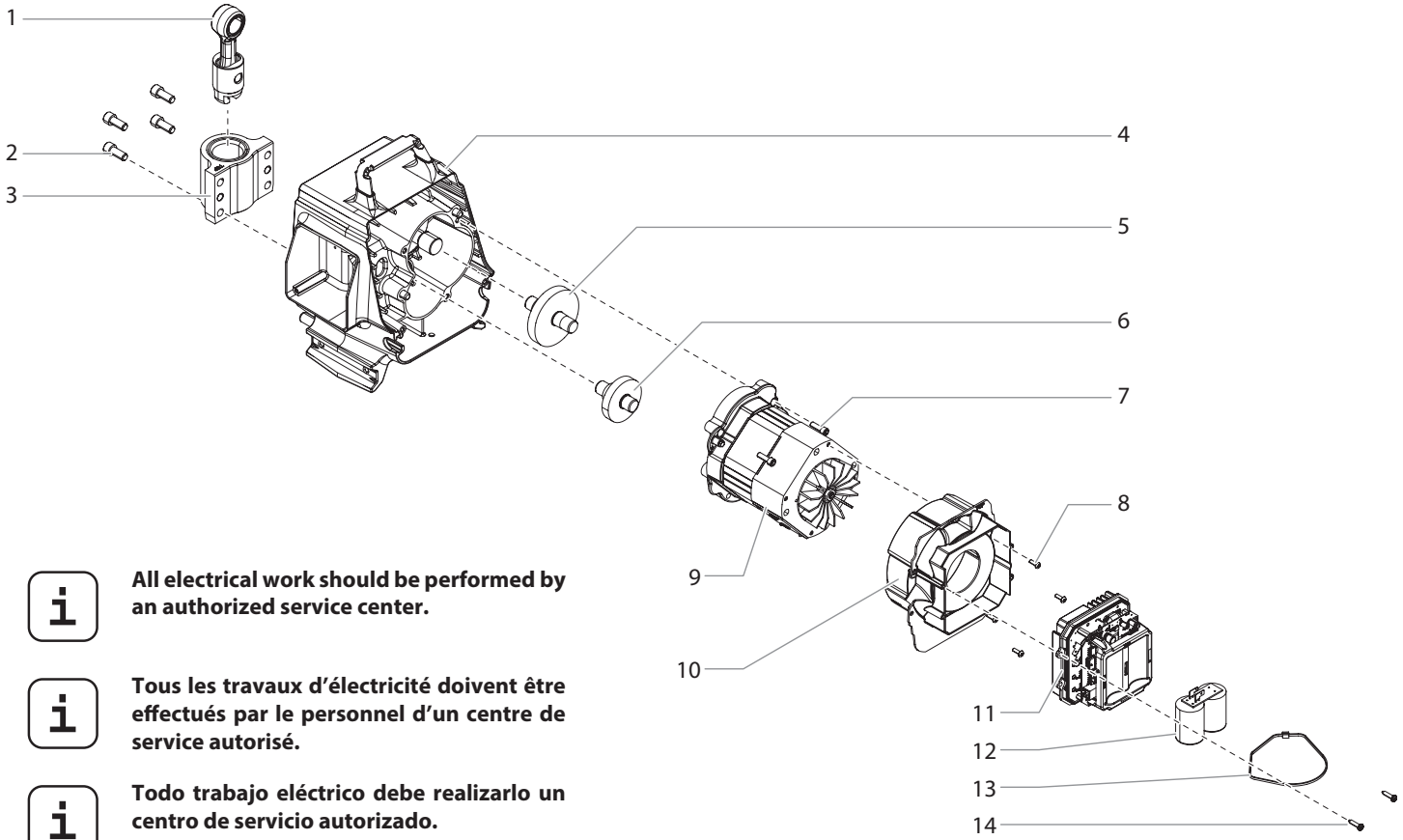
#	IMPACT 1040	English Description	Français Description	Español Descripción	Qty. Qté. Cant.
1	805-425	Motor shroud	Carter du moteur	Cubierta del motor	1
2	700-681	Belly pan screw	Vis de ventre pan	Tornillo de vientre pan	3
3	0552404A	Belly pan assembly	Ventre pan	Ventre pan	1
4	9802266	Motor shroud screw	Vis de carter du moteur	Tornillo de cubierta del motor	2
5	805-490	Belly pan cover	Couvercle de ventre pan	Tapa de vientre pan	1
6	700-139	Belly pan cover screw	Vis de couvercle de ventre pan	Tornillo de tapa de vientre pan	2
7	805-439	Grommet	Anneau isolant	Prensaestopas	1
8	800-437	Transducer assembly	Ensemble de transducteur	Ensamblaje de transductor	1
9	805-269A	Filter assembly (see separate listing)	Ensemble de filtre (voir la liste de pièces distincte)	Conjunto de filtro (consulte la lista separada)	1
10	0558369	Return tube	Tube de retour	Tubo de retorno	1
11	0552585	Hose	Flexible	Manguera	1
12	860-002	Washer	Rondelle	Arandela	2
13	9805311	Screw	Vis	Tornillo	2
14	9802266	Screw	Vis	Tornillo	2
15	805-462	Motor controller cover	Carter du contrôleur de moteur	Cubierta del controlador del motor	1
16	9805317	Handle screw	Vis de poignée	Tornillo de la manilla	2
17	805-332	Handle cover, back	Couvre-poignée, dos	Cubierta de la manilla, posterior	1
18	805-333	Handle cover, front	Couvre-poignée, face	Cubierta de la manilla, delantera	1
19	-----	Drive assembly (see separate listing)	Boîte d'engrenages (voir la liste de pièces distincte)	Conjunto de transmisión (consulte la lista separada)	1
20	700-139	Control panel screw	Vis de panneau de contrôle	Tornillo de panel de control	4
21	0552550A	Control panel assembly, complete includes items 39-44)	Ensemble de panneau de contrôle, complète (comprend les articles 39-44)	Ensamblaje de panel de control, completa (incluye artículos 39-44)	1
22	0522404	Fuse	Fusible	Fusible	1
23	9804916	Fuse block screw	Vis de bloc de fusible	Tornillo de bloque de fusible	1
24	0522210	Fuse block	Bloc de fusible	Bloque de fusible	1
25	805-250A	Face plate / oiler assembly	Ensemble de couvercle / graisseur	Ensamblaje de cubierta frontal / lubricador	1
26	700-139	Face plate screw	Vis de couvercle	Tornillo de la cubierta frontal	4
27	9812333	Nut	Écrou	Tuerca	2
28	0509285	Washer	Rondelle	Arandela	2
29	805-464	Retainer	Serre boudin	Retén	1
30	9805441	Bolt	Boulon	Perno	2
31	805-434	Pail hook	Crochet pour seu	Gancho para el cubo	1
32	9821503	Lock washer	Rondelle de blocage	Arandela de seguridad	2
33	858-625	Pail hook screw	Vis de crochet pour seu	Tornillo del gancho para el cubo	2
34	9805348	Screw	Vis	Tornillo	4
35	0552603A	Fluid section assembly	Ensemble de section des liquides	Ensamblaje de sección de líquidos	1
36	813-555	Fitting	Raccord	Conector	1
37	0523525	Clip	Agrafe	Sujetador	1
38	451-241	Siphon tube	Tube d'aspiration	Tubo de succión	1
39	0552991	Control panel cover with label	Couvercle de panneau de contrôle avec étiquette	Tapa de panel de control con etiqueta	1
40	700-176	Nut with seal	Écrou avec joint	Tuerca con sello	1
41	704-598	Set screw	Vis	Tornillo	1
42	805-354	Control knob	Bouton de contrôle	Botón de control	1
43	9850936	Switch	Interrupteur	Interruptor	1
44	0508579	Potentiometer	Potentiomètre	Potenciómetro	1
45	710-046	Inlet filter	Filtre d'entrée	Filtro de entrada	1
46	9805400	Screw	Vis	Tornillo	4
47	0552403	Fan	Ventilateur	Ventilador	1
48	805-428	Belly pan	Ventre pan	Ventre pan	1
	0551972	Surge suppressor (not shown, see schematic)	Protection contre les surtensions (non présenté, voir le schéma)	Supresor de sobrecarga (no se muestra, consulte el esquema)	1
	805-480	Power cord assembly (not shown)	Ensemble de cordon d'alimentation (non présenté)	Ensamblaje de cable de alimentación (non présenté)	1

CUADRO DE PIEZAS DE RECAMBIO

EN DRIVE ASSEMBLY

F ENSEMBLE MOTEUR

ES CONJUNTO DEL MECANISMO IMPULSOR



All electrical work should be performed by an authorized service center.



Tous les travaux d'électricité doivent être effectués par le personnel d'un centre de service autorisé.



Todo trabajo eléctrico debe realizarlo un centro de servicio autorizado.

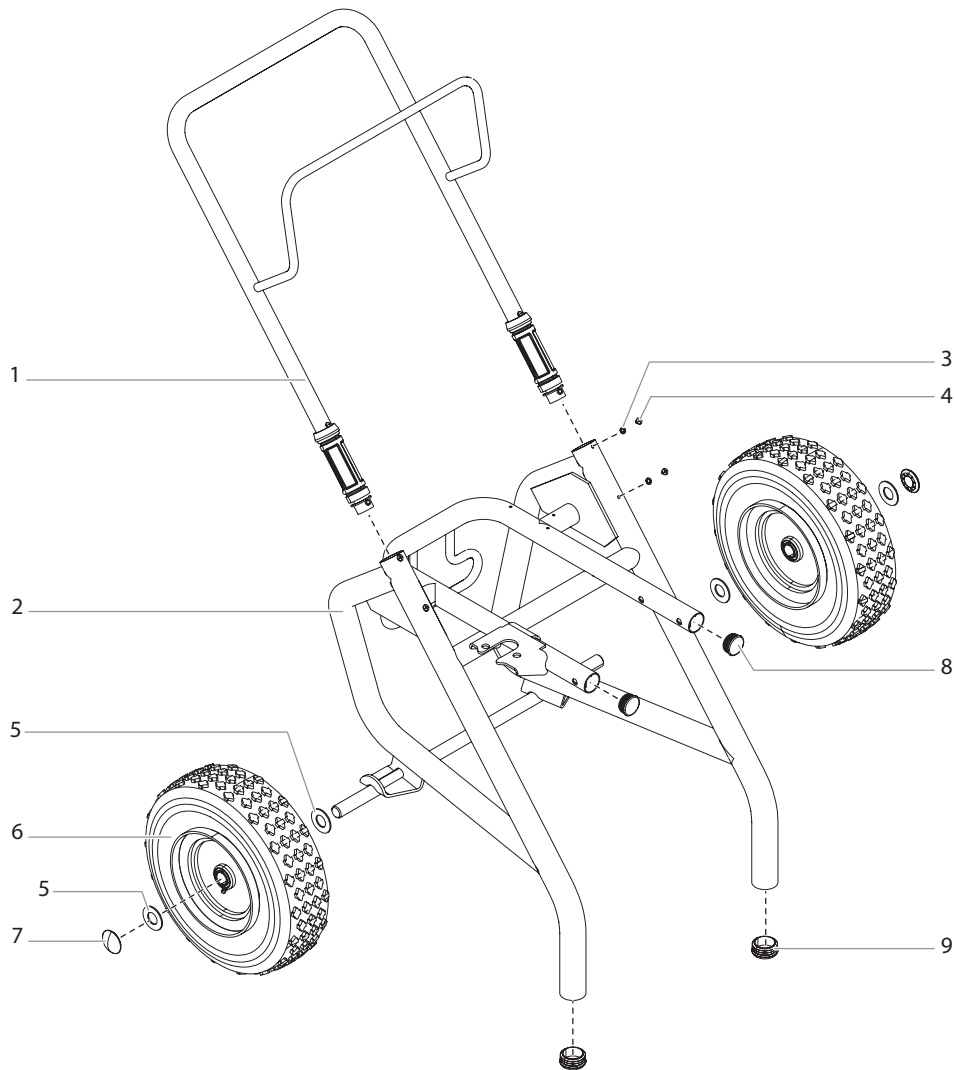
#	IMPACT 1040	English Description	Français Description	Español Descripción	Qty. Qté. Cant.
1	805-241A	Slider assembly	Bielle	Vara conectora	1
2	700-283	Screw	Vis	Tornillo	4
3	805-248A	Slider housing	Logement de bielle	Alojamiento de vara conectora	1
4	805-244A	Housing assembly	Logement de la pompe	Caja de la bomba	1
5	0558362A	3rd stage gear	Engrenage du 3e étage	Engranajes de la 3 etapa	1
6	0558363A	2nd stage gear	Engrenage du 2e étage	Engranajes de la 2 etapa	1
7	700-681	Motor mount screw	Vis de moteur	Tornillo de motor	3
8	700-139	Motor baffle screw	Vis de joint d'étanchéité	Tornillo de empaquetadura	4
9	805-271A	Motor assembly	Ensemble de moteur	Ensamblaje del motor	1
10	805-460	Motor baffle	Joint d'étanchéité	Empaquetadura	1
11	0552990	Motor controller	Contrôleur de moteur	Controlador de motor	1
12	0522027	Capacitor assembly	Ensemble condensateur	Conjunto de capacitor	1
13	770-099	Tie wrap	Attache autobloquante	Amarras	1
14	9802266	Motor controller screw	Vis de contrôleur de moteur	Tornillo de controlador de motor	2

EN CART ASSEMBLY

F ENSEMBLE DE CHARIOT

ES ENSAMBLAJE DE CARRO

(P/N 0552591A)

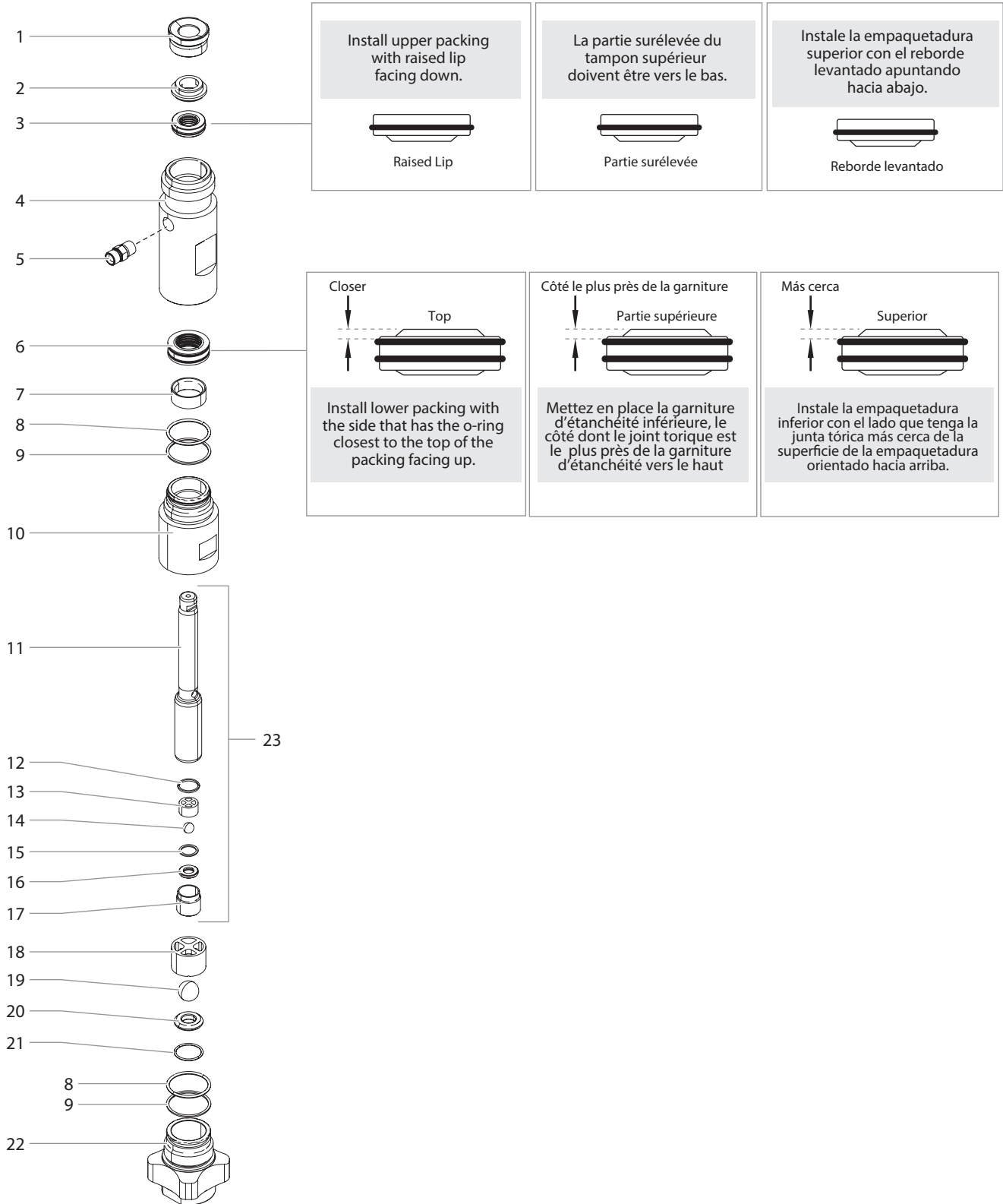


#	IMPACT 1040	English Description	Français Description	Español Descripción	Qty. Qté. Cant.
1	805-206A	Handle assembly	Ensemble de poignée	Ensamblaje del mango	1
2	0552592A	Cart weldment	Chariot	Carro	1
3	856-002	Washer	Rondelle	Arandela	4
4	856-921	Screw	Vis	Tornillo	4
5	0295687	Wheel spacer	Espaceur de roue	Separador de rueda	4
6	670-109	Wheel	Roue	Rueda	2
7	800-019	Axle cap	Chapeau	Tapa	2
8	0294635	Plug	Capuchon	Tapa	2
9	9885571	Plug	Capuchon	Tapa	2

CUADRO DE PIEZAS DE RECAMBIO

EN FLUID SECTION  
ES ZONA DE PINTURA

F POMPE À PEINTURE





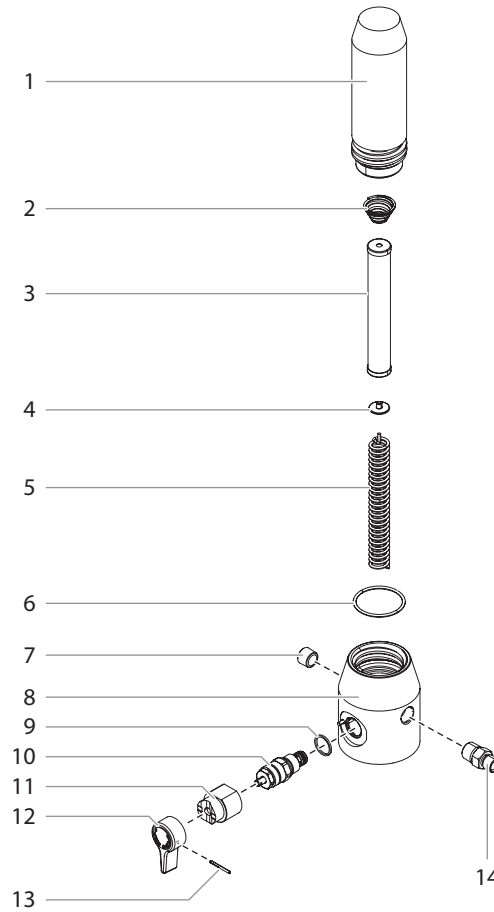
#	IMPACT 1040	English Description	Français Description	Español Descripción	Qty. Qté. Cant.
1	805-545	Seal retainer	Rondelle de retenue de joint d'étanchéité	Retén del sello	1
2	805-544	Spacer	Entretoise	Separador	1
3	800-353A	Upper packing assembly	Tampon graisseur supérieur	Empaquetadura superior	1
4	805-450	Upper housing	Logement supérieur	Carcasa superior	1
5	0508343	Fitting	Raccord	Conector	1
6	800-355A	Lower packing assembly	Tampon graisseur inférieur	Ampaquetadura inferior	1
7	800-354	Wear ring	Bague d'usure	Anillo de desgaste	1
8	800-332	O-ring, Viton	Joint torique, Viton	Junta tórica, Viton	2
9	800-333	O-ring, PTFE	Joint torique, PTFE	Junta tórica, PTFE	2
10	800-352	Lower housing	Logement inférieur	Carcasa inferior	1
11	805-456A	Piston rod	Tige de piston	Vara del pistón	1
12	800-348	Outlet valve seal	Joint d'étanchéité de soupape de sortie	Sello de la válvula de salida	1
13	0507452	Upper cage	Cage supérieur	Jaula superior	1
14	9841502	Outlet valve ball	Clapet de soupape de sortie	Bola de la válvula de salida	1
15	0507454	Washer	Rondelle	Arandela	1
16	0294516	Outlet valve seat	Siège de soupape de sortie	Asiento de la válvula de salida	1
17	800-336	Outlet valve retainer	Rondelle de retenue de soupape de sortie	Retén de la válvula de salida	1
18	800-322	Lower cage	Cage inférieur	Jaula superior	1
19	51519	Inlet ball	Bille d'entrée	Bola de entrada	1
20	00310	Inlet seat	Siège d'admission	Asiento de entrada	1
21	9871218	O-ring	Joint torique	Junta tórica	1
22	800-305	Foot valve	Clapet de pied	Válvula de retención	1
23	805-247A	Piston assembly (includes items 11-17)	Ensemble de piston (comprend les articles 11-17)	Ensamblaje del pistón (incluye artículos 11-17)	1
	0558740	Repacking kit (includes items 2-3, 6-9, 12, 14, 15, 19 and 21)	Trousse de garnitures d'étanchéité (comprend les articles 2-3, 6-9, 12, 14, 15, 19 et 21)	Juego para volver a colocar la empaquetadura (incluye artículos 2-3, 6-9, 12, 14, 15, 19 y 21)	
	800-359	Piston insertion tool	Outil d'insertion de piston	Herramienta de inserción del pistón	

CUADRO DE PIEZAS DE RECAMBIO

EN FILTER ASSEMBLY

F ENSEMBLE DE FILTRE

ES ENSAMBLAJE DE FILTRO



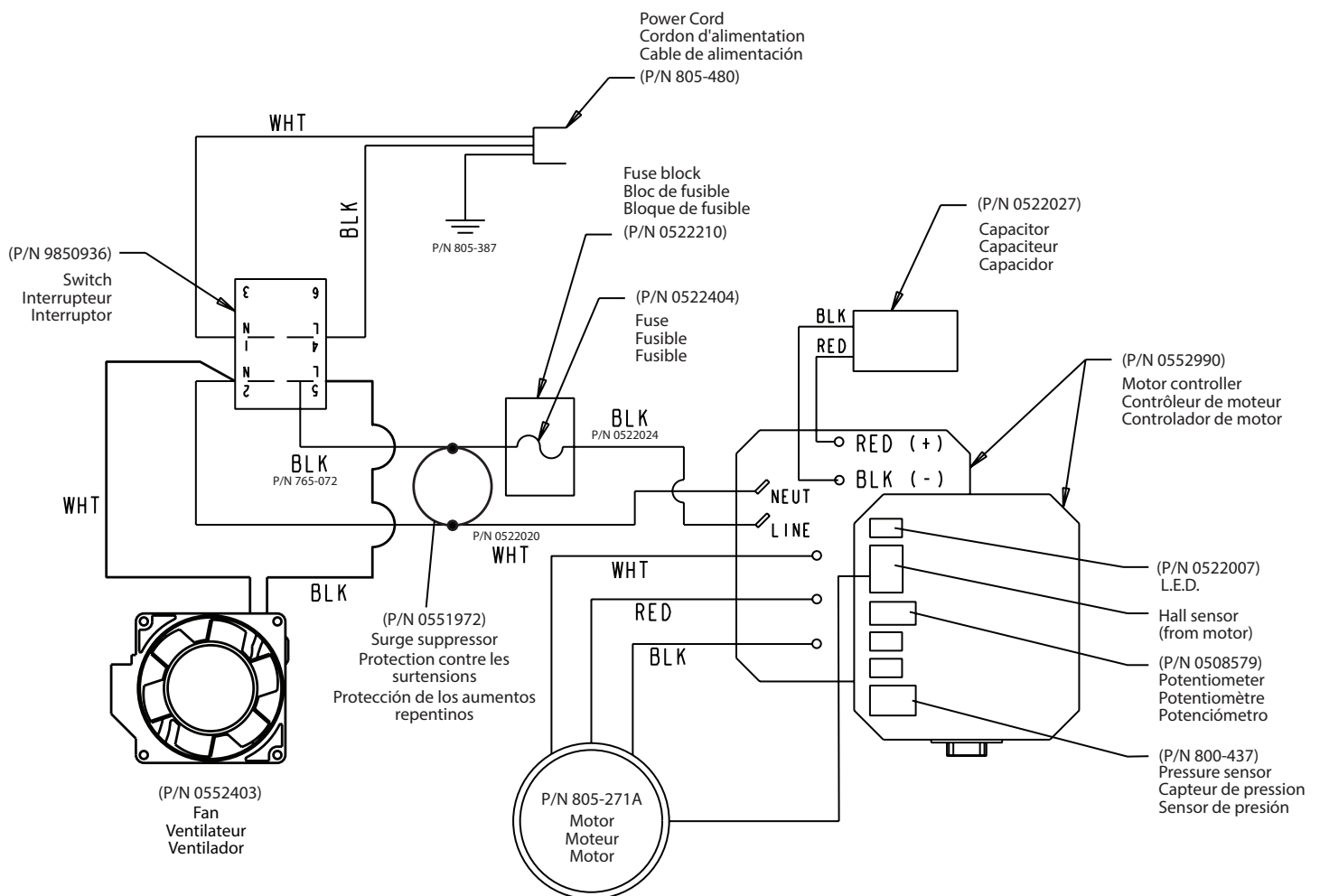
#	IMPACT 1040	English Description	Français Description	Español Descripción	Qty. Qté. Cant.
1	800-905	Filter body	Corps de filtre	Cuerpo del filtro	1
2	14058	Filter spring	Ressort du filtre	Resorte de filtro	1
3	730-067	Filter assembly	Ensemble de filtre	Ensamblaje del filtro	1
4	702-251	Adapter	Adaptateur	Adaptador	1
5	757-105	Spring	Ressort	Resorte	1
6	800-906	O-ring	Joint torique	Junta tórica	1
7	800-908	Plug	Fiche	Tapón	1
8	805-508	Filter housing	Logement de filtre	Caja del filtro	1
9	700-537	Gasket	Joint d'étanchéité	Empaquetadura	1
10	800-925	Bypass valve assembly	Soupape de dérivation	Conjunto de la válvula de derivación	1
11	700-252	Cam base	Base à came	Base de leva	1
12	700-697	Valve handle	Manette de soupape	Mango de la válvula	1
13	700-759	Groove pin	Goupille	Pasador de surco	1
14	812-003	Fitting	Raccord	Conector	1
	700-258	Bypass valve assembly, complete (includes items 9-13)	Soupape de dérivation, complet (comprend les articles 9 à 13)	Conjunto de la válvula de derivación, completo (incluye los elementos 9 a 13)	

LABELS • ÉTIQUETTES • ETIQUETAS

Part No. N° de pièce Pieza No.	English Description	Français Description	Español Descripción
805-810	Front cover label	Étiquette du couvercle avant	Etiqueta de la cubierta delantera
0552597	Motor cover label (1040)	Étiquette du carter de moteur (1040)	Etiqueta de la cubierta del motor (1040)
805-818	Warning label	Etiqueta de la cubierta del motor	Etiqueta de advertencia
0552878	Pressure control panel label	Étiquette du panneau de contrôle	Etiqueta de panel de control

EN ELECTRICAL SCHEMATIC  
ES ESQUEMA ELÉCTRICO

F SCHÉMA DE RACCORDEMENT ÉLECTRIQUE



All electrical work should be performed by an authorized service center.



Todo trabajo eléctrico debe realizarlo un centro de servicio autorizado.



Tous les travaux d'électricité doivent être effectués par le personnel d'un centre de service autorisé.

EN ACCESSORIES

F ACCESSOIRES

ES ACCESORIOS

#	English • Description	Français • Description	Español • Descripción
<b>Spray Guns • Pistolets de pulvérisation • Pistolas de rociadora</b>			
0538020	2 Finger RX-Pro with TR-1 Tip	2-doigts RX-Pro avec l'embout à TR-1	2-dedos RX-Pro con la punta de TR-1
0538022	2 Finger RX-Pro with TR-1 Tip and hose	2-doigts LX-80II avec l'embout à TR-1 et flexible	2-dedos LX-80II con la punta de TR-1 y manguera
<b>Spray tips and accessories • Embouts de pulvérisation et accessoires • Puntas de rociadora y accesorios</b>			
662-XXX	SC-6+ Tip*	Embout à SC-6+*	Punta de SC-6+*
695-XXX	TR-1 Tip*	Embout à TR-1*	Punta de TR-1*
692-XXX	TR-2 Tip*	Embout à TR-2*	Punta de TR-2*
671-XXX	Fine Finish Tip*	Embout à Fine Finish*	Punta de Fine Finish*
0289228	No Build Tip Guard	Dispositif de protection de embout sans assemblage	Protección de la boquilla contra la acumulación de residuos
651-139	Tip Swivel	Pivot de buse	Dispositivo giratorio de la boquilla
661-020	Tip seat and seal kit (5 pack)	Trousse de siège / rondelle (5 pièces)	Juego de asiento de montura /arandela (5 piezas)
<b>Filters • Filtres • Filtros</b>			
0089957	Coarse Mesh Filter (Green)	Filtre à grosses mailles (vert)	Filtro de malla gruesa (verde)
0089958	Medium Mesh Filter (White)	Filtre à mailles moyennes (blanc)	Filtro de malla media (blanco)
0089959	Fine Mesh Filter (Yellow)	Filtre à mailles fines (jaune)	Filtro de malla fina (amarillo)
0089960	Extra Fine Mesh Filter (Red)	Filtre à mailles très fines (rouge)	Filtro de malla extra fina (rojo)
<b>Extensions • Rallonges • Extensi3ns</b>			
651-070	6" Tip Extension	Rallonge de embout, 15 cm	Extensi3n de punta, 15 cm
651-071	12" Tip Extension	Rallonge de embout, 30 cm	Extensi3n de punta, 30 cm
651-072	18" Tip Extension	Rallonge de embout, 45 cm	Extensi3n de punta, 45 cm
651-073	24" Tip Extension	Rallonge de embout, 60 cm	Extensi3n de punta, 60 cm
310-390	3' Extension Pole	Tige rallonge de 3 po	Barra de extensi3n de 90 cm
310-391	6' Extension Pole	Tige rallonge de 6 po	Barra de extensi3n de 180 cm
<b>Airless hose and accessories • Flexible sans air et accessoires • Manguera sin aire y accesorios</b>			
316-505	1/4" x 50' Airless Hose	Flexible sans air, 7,6 m x 0,6 cm	Manguera, 7,6 m x 0,6 cm
316-506	3/16" x 5' Whip Hose	Flexible sans air, 1,5 m x 0,5 cm	Manguera, 1,5 m x 0,5 cm
490-012	1/4" x 1/4" hose connector	Raccord de flexible (0,6 cm <sup>2</sup> [1/4 po <sup>2</sup> ])	Acoplamiento de manguera, 1/4 x 1/4 de pulgada
0508239	High Pressure Fluid Gauge	Manomètre (liquides)	Manómetro (fluidos)
310-150	9" Pressure Roller Kit	Trousse de galet presseur de 9 po	Kit de rodillo de presi3n de 229 mm
0538900	Spray Guide Kit	Trousse de Spray Guide	Juego de Spray Guide
<b>Lubricants and cleaners • Lubrifiants et nettoyeurs • Lubricantes y limpiadores</b>			
314-482	Liquid Shield™ 1 Quart	Liquid Shield™ 0,95 l	Liquid Shield™ 0,95 l
314-480	Piston Lube™, 8 oz	Piston Lube™, 8 oz.	Piston Lube™ 8 onzas
700-926	Piston Lube™, 1 Quart	Piston Lube™, 0,95 l	Piston Lube™ 0,95 l
0297055	Pump Shield™	Pump Shield™	Pump Shield™
0508071	Paint Mate 1 quart	Paint Mate 0,95 l	Paint Mate 0,95 l
<b>Service kits (optional) • Trousses de services (facultatif) • Juegos de servicio (opcional)</b>			
0558740	Repacking kit	Trousse de garnitures d'étanchéité	Juego para volver a colocar la empaquetadura
800-359	Piston insertion tool	Outil d'insertion de piston	Herramienta de inserci3n del pist3n

\* Go to [www.titantool.com](http://www.titantool.com) for tip sizes / voir [www.titantool.com](http://www.titantool.com) pour les dimensions / visite [www.titantool.com](http://www.titantool.com) para conocer los tamaños

**SERIAL NUMBER LOCATION • EMPLACEMENT DU NUMÉRO DE SÉRIE • UBICACIÓN DEL NÚMERO DE SERIE**

**PRODUCT REGISTRATION**

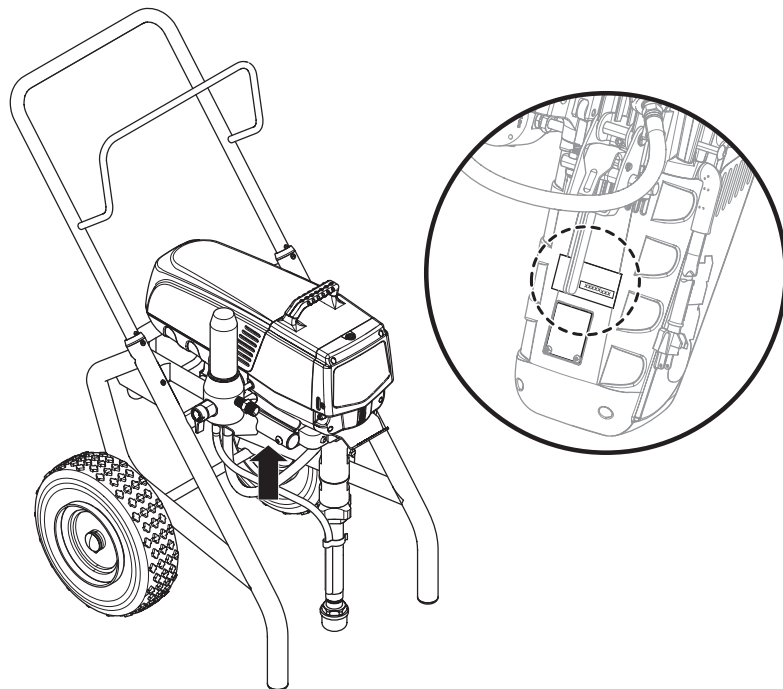
Register your product online at [www.titantool.com](http://www.titantool.com).

**ENREGISTREMENT DU PRODUIT**

Enregistrer votre appareil en ligne à [www.titantool.com](http://www.titantool.com).

**REGISTRO DEL PRODUCTO**

Registre su producto en línea en [www.titantool.com](http://www.titantool.com).



---

## WARRANTY

Titan Tool, Inc., ("Titan") warrants that at the time of delivery to the original purchaser for use ("End User"), the equipment covered by this warranty is free from defects in material and workmanship. With the exception of any special, limited, or extended warranty published by Titan, Titan's obligation under this warranty is limited to replacing or repairing without charge those parts which, to Titan's reasonable satisfaction, are shown to be defective within twelve (12) months after sale to the End User. This warranty applies only when the unit is installed and operated in accordance with the recommendations and instructions of Titan.

This warranty does not apply in the case of damage or wear caused by abrasion, corrosion or misuse, negligence, accident, faulty installation, substitution of non-Titan component parts, or tampering with the unit in a manner to impair normal operation.

Defective parts are to be returned to an authorized Titan sales/service outlet. All transportation charges, including return to the factory, if necessary, are to be borne and prepaid by the End User. Repaired or replaced equipment will be returned to the End User transportation prepaid.

THERE IS NO OTHER EXPRESS WARRANTY. TITAN HEREBY DISCLAIMS ANY AND ALL IMPLIED WARRANTIES INCLUDING, BUT NOT LIMITED TO, THOSE OF MERCHANTABILITY AND FITNESS FOR A PARTICULAR PURPOSE, TO THE EXTENT PERMITTED BY LAW. THE DURATION OF ANY IMPLIED WARRANTIES WHICH CANNOT BE DISCLAIMED IS LIMITED TO THE TIME PERIOD SPECIFIED IN THE EXPRESS WARRANTY. IN NO CASE SHALL TITAN LIABILITY EXCEED THE AMOUNT OF THE PURCHASE PRICE. LIABILITY FOR CONSEQUENTIAL, INCIDENTAL OR SPECIAL DAMAGES UNDER ANY AND ALL WARRANTIES IS EXCLUDED TO THE EXTENT PERMITTED BY LAW.

TITAN MAKES NO WARRANTY AND DISCLAIMS ALL IMPLIED WARRANTIES OF MERCHANTABILITY AND FITNESS FOR A PARTICULAR PURPOSE WITH RESPECT TO ACCESSORIES, EQUIPMENT, MATERIALS OR COMPONENTS SOLD BUT NOT MANUFACTURED BY TITAN. THOSE ITEMS SOLD, BUT NOT MANUFACTURED BY TITAN (SUCH AS GAS ENGINES, SWITCHES, HOSES, ETC.) ARE SUBJECT TO THE WARRANTY, IF ANY, OF THEIR MANUFACTURER. TITAN WILL PROVIDE THE PURCHASER WITH REASONABLE ASSISTANCE IN MAKING ANY CLAIM FOR BREACH OF THESE WARRANTIES.



## GARANTIE

Titan Tools, inc. (« Titan ») garantit qu'au moment de la livraison à l'acheteur original (« Utilisateur »), l'appareil couvert par la présente garantie sera exempt de défauts de matériaux et de fabrication. Les responsabilités de Titan en vertu de cette garantie se limitent au remplacement ou à la réparation sans frais des pièces dont on aura, à la satisfaction raisonnable de Titan, démontré la défectuosité dans un délai de 12 mois après la date d'achat par l'Utilisateur. Cette garantie ne s'applique que si l'appareil a été installé et utilisé conformément aux recommandations et directives de Titan.

Cette garantie ne s'applique pas dans les cas d'endommagement ou d'usure engendrés par de l'abrasion, de la corrosion, un mauvais usage, de la négligence, un accident, une installation incorrecte, un remplacement par des composants non fournis par Titan ou toute intervention non autorisée apte à nuire au fonctionnement normal de l'appareil.

Les pièces défectueuses doivent être envoyées à un centre de service/vente Titan autorisé; les frais de transport, incluant le retour à l'usine, le cas échéant, doivent être défrayés à l'avance par l'Utilisateur. Une fois remplacées ou réparées, les pièces seront renvoyées à ce dernier par transport prépayé.

AUCUNE AUTRE GARANTIE EXPLICITE N'EST DONNÉE. PAR LES PRÉSENTES, TITAN SE DÉGAGE DE TOUTE AUTRE GARANTIE IMPLICITE, INCLUANT, SANS TOUTEFOIS S'Y LIMITER, LES GARANTIES DE COMMERCIALITÉ ET D'ADAPTATION À UN USAGE PARTICULIER, DANS LES LIMITES PERMISES PAR LA LOI. LA DURÉE DES GARANTIES IMPLICITES NE POUVANT ÊTRE DÉCLINÉES SE LIMITE À LA PÉRIODE INDIQUÉE DANS LA GARANTIE EXPLICITE. LES RESPONSABILITÉS DE TITAN NE SAURAIENT EN AUCUN CAS SE CHIFFRER À UN MONTANT SUPÉRIEUR À CELUI DU PRIX D'ACHAT, ET CELLES RELATIVES AUX DOMMAGES CONSÉCUTIFS, ACCESSOIRES OU PARTICULIERS EN VERTU DE TOUTE GARANTIE SONT ÉGALEMENT DÉCLINÉES, DANS LES LIMITES PERMISES PAR LA LOI.

TITAN NE DONNE AUCUNE AUTRE GARANTIE EXPLICITE ET DÉCLINE TOUTE GARANTIE IMPLICITE DE COMMERCIALITÉ ET D'ADAPTATION À UN USAGE PARTICULIER RELATIVEMENT AUX ACCESSOIRES, À L'ÉQUIPEMENT, AUX MATÉRIAUX OU AUX COMPOSANTS VENDUS MAIS NON FABRIQUÉS PAR ELLE; CES ÉLÉMENTS (MOTEURS À ESSENCE, COMMUTATEURS, FLEXIBLES, ETC.) SONT PLUTÔT SOUMIS, LE CAS ÉCHÉANT, AUX GARANTIES DE LEUR FABRICANT. TITAN S'ENGAGE À OFFRIR UN SOUTIEN RAISONNABLE AUX UTILISATEURS QUI FERONT DES RÉCLAMATIONS RELATIVES À L'INOBSERVATION DE CES GARANTIES.

## GARANTÍA

Titan Tool, Inc., ("Titan") garantiza que al momento de la entrega al comprador original para su uso ("Usuario Final") el equipo que se encuentra bajo la cobertura de esta garantía no presentará defectos de materiales ni de mano de obra. A excepción de cualquier garantía especial, limitada o extendida publicada por Titan, la obligación de Titan según esta garantía se limita el reemplazo o la reparación sin cargo de las piezas, las que según el criterio de Titan se presenten como defectuosas dentro de doce (12) meses después de la venta al Usuario Final. Esta garantía es aplicable sólo cuando la unidad se instala y se hace funcionar de acuerdo con las recomendaciones e instrucciones de Titan.

Esta garantía no se aplica en caso de daño o desgaste provocado por abrasión, corrosión, uso indebido, negligencia, accidente, instalación defectuosa, sustitución de piezas de componentes que no pertenezcan a Titan o la alteración de la unidad de alguna manera que impida su funcionamiento normal.

Las piezas defectuosas se deben devolver a una tienda de ventas/servicio técnico autorizada de Titan. Todos los cargos de transporte, incluido el regreso a la fábrica de ser necesario, deben ser costeados y pagados por adelantado por el Usuario Final. El equipo que se repare o reemplace se devolverá al Usuario Final con los gastos de envío pagados por adelantado.

NO EXISTE OTRA GARANTÍA EXPRESA. POR ESTE MEDIO TITAN NIEGA TODAS LAS GARANTÍAS IMPLÍCITAS, ENTRE LAS QUE SE INCLUYEN, AQUELLAS DE COMERCIALIDAD Y APTITUD PARA UN FIN EN PARTICULAR DENTRO DE LO QUE PERMITA LA LEY. LA DURACIÓN DE CUALQUIER GARANTÍA IMPLÍCITA QUE NO SE PUEDA NEGAR SE LIMITA AL PERÍODO QUE SE ESPECIFIQUE EN LA GARANTÍA EXPRESA. LA RESPONSABILIDAD DE TITAN NO EXCEDERÁ EN NINGÚN CASO EL VALOR DE LA COMPRA. LA RESPONSABILIDAD POR DAÑOS ESPECIALES, INDIRECTOS O EMERGENTES SEGÚN CUALQUIERA Y TODAS LAS GARANTÍAS ESTÁ EXCLUIDA DENTRO DE LO QUE PERMITA LA LEY.

TITAN NO REALIZA NINGUNA GARANTÍA Y NIEGA TODAS LAS GARANTÍAS IMPLÍCITAS DE COMERCIALIDAD Y APTITUD PARA UN FIN EN PARTICULAR EN RELACIÓN CON ACCESORIOS, EQUIPOS, MATERIALES O COMPONENTES QUE VENDA, PERO QUE NO FABRIQUE TITAN. ESTOS ARTÍCULOS QUE VENDA, PERO QUE NO FABRIQUE TITAN (TALES COMO MOTORES DE GAS, INTERRUPTORES, MANGUERAS, ETC.) ESTÁN SUJETOS A LA GARANTÍA, DE EXISTIR ALGUNA, DE SU FABRICANTE. TITAN PROPORCIONARÁ UNA ASISTENCIA RAZONABLE AL COMPRADOR PARA REALIZAR CUALQUIER RECLAMACIÓN POR EL INCUMPLIMIENTO DE ESTAS GARANTÍAS.



**TITAN<sup>®</sup>**

**IMPACT<sup>™</sup>**  
**1040**

**UNITED STATES SALES & SERVICE**

**WEB:** [www.titantool.com](http://www.titantool.com)

**PHONE:** 1-800-526-5362

1770 Fernbrook Lane

Minneapolis, MN 55447

**INTERNATIONAL**

**EMAIL:** [international@titantool.com](mailto:international@titantool.com)