



TITAN®

SERVICE MANUAL

ELITE™ 4500

PERMASTROKE TECHNOLOGY™

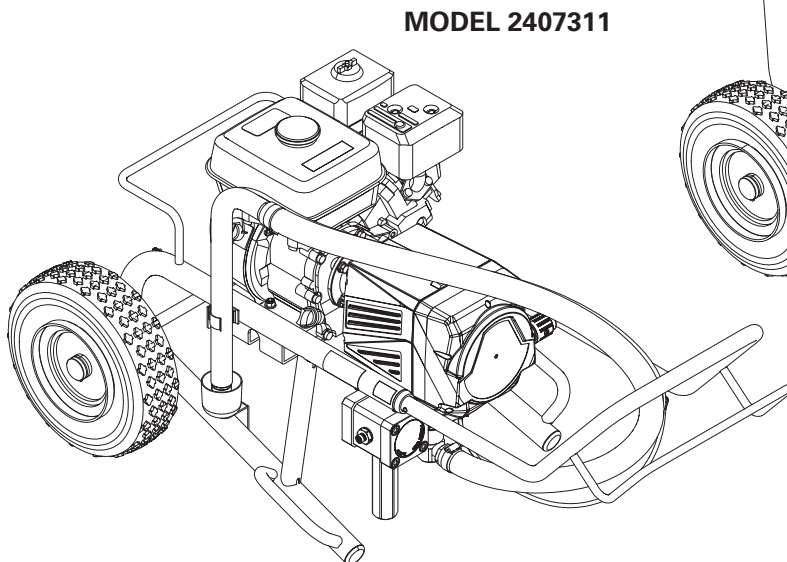
Hydraulic Fluid Displacement Pump System Inside

HIGH PRESSURE AIRLESS
SPRAYER

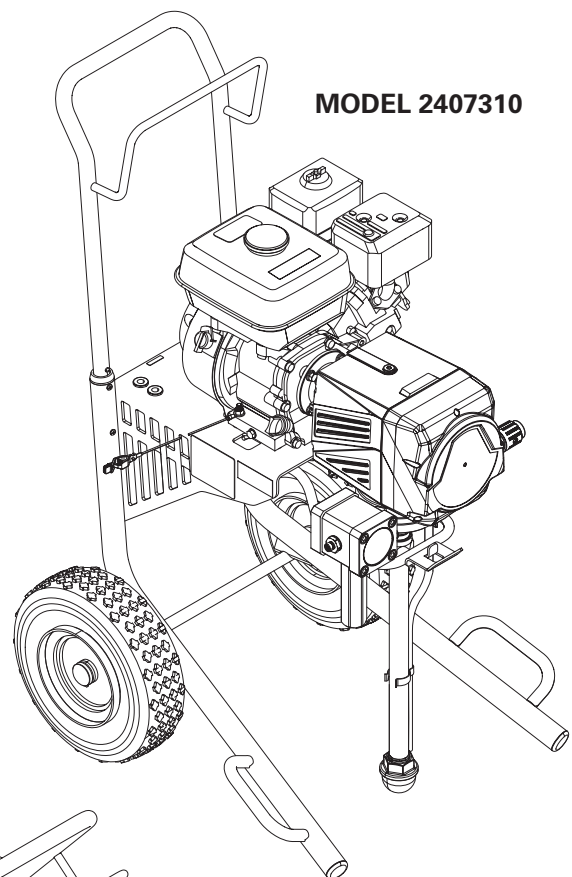
GROUPE DE PROJECTION À
HAUTE PRESSION

AIRLESS EQUIPO DE ALTA
PRESIÓN PARA PULVERIZAR

- EN -	SERVICE MANUAL	2
- F -	MANUEL D'ENTRETIEN	10
- ES -	MANUAL DE MANTENIMIENTO	18



MODEL 2407311



MODEL 2407310

Warning!

Attention: Danger of injury by injection!
Airless units develop extremely high spraying pressures.



1

Never put your fingers, hands or any other parts of the body into the spray jet!

Never point the spray gun at yourself, other persons or animals. Never use the spray gun without safety guard.

Do not treat a spraying injury as a harmless cut. In case of injury to the skin through coating materials or solvents, consult a doctor immediately for quick and expert treatment. Inform the doctor about the coating material or solvent used.

2

The operating instructions state that the following points must always be observed before starting up:

1. Faulty units must not be used.
2. Secure Titan spray gun using the trigger lock on the trigger.
3. Ensure that the unit is properly earthed.
4. Check allowable operating pressure of high-pressure hose and spray gun.
5. Check all connections for leaks.

3

The instructions regarding regular cleaning and maintenance of the unit must be strictly observed.

Before any work is done on the unit or for every break in work the following rules must be observed:

1. Release the pressure from spray gun and hose.
2. Secure the Titan spray gun using the trigger lock on the trigger.
3. Switch off unit.

Be safety conscious!

1	SAFETY REGULATIONS FOR AIRLESS	
	SPRAYING	4
1.1	Explanation of symbols used	4
1.2	Safety hazards	4
1.3	Setup on an uneven surface	6
1.4	Gasoline engine safety	7
1.5	Fueling (gas engine)	7
2	REPAIRS	8
2.1	Inlet valve pusher	8
2.2	Inlet valve	8
2.3	Outlet valve	9
2.4	Pressure control valve	9
2.5	Typical wear parts	9
	SPARE PARTS LIST	26
	Spare parts list for the main assembly	26/27
	Spare parts list for the cart assembly • 2407310	28/29
	Spare parts list for the cart assembly • 2407311	30/31
	Spare parts list for the pump assembly	32/33
	Spare parts list for the high-pressure filter	34
	Spare parts list for the outlet valve assembly	35
	Spare parts list for the inlet valve body assembly	36
	Spare parts list for siphon system • 2407311	37
	ACCESSORIES	38
	WARRANTY	39

1 SAFETY REGULATIONS FOR AIRLESS SPRAYING

1.1 EXPLANATION OF SYMBOLS USED

This manual contains information that must be read and understood before using the equipment. When you come to an area that has one of the following symbols, pay particular attention and make certain to heed the safeguard.



→ This symbol indicates a potential hazard that may cause serious injury or loss of life. Important safety information will follow.



→ This symbol indicates a potential hazard to you or to the equipment. Important information that tells how to prevent damage to the equipment or how to avoid causes of minor injuries will follow.



→ Danger of skin injection



→ Danger of fire from solvent and paint fumes



→ Danger of explosion from solvent, paint fumes and incompatible materials



→ Danger of injury from inhalation of harmful vapors



→ Danger of electric shock



→ Notes give important information which should be given special attention.



→ **WARNING! CALIFORNIA PROPOSITION 65 WARNING**

This product can expose you to chemicals including lead, which are known to the State of California to cause cancer, birth defects, or other reproductive harm.

The engine exhaust from models with gas-powered engines can expose you to carbon monoxide which is known to the State of California to cause cancer, birth defects, and other reproductive harm.

For more information go to www.P65warnings.ca.gov.

1.2 SAFETY HAZARDS



IMPORTANT SAFETY INSTRUCTIONS.
SAVE THESE INSTRUCTIONS.



WARNING: INJECTION INJURY

A high pressure stream produced by this equipment can pierce the skin and underlying tissues, leading to serious injury and possible amputation.

Do not treat a spraying injury as a harmless cut. In case of injury to the skin through coating materials or solvents, consult a doctor immediately for quick and expert treatment. Inform the doctor about the coating material or solvent used.

PREVENTION:

- NEVER aim the gun at any part of the body.
- NEVER allow any part of the body to touch the fluid stream. DO NOT allow body to touch a leak in the fluid hose.
- NEVER put your hand in front of the gun. Gloves will not provide protection against an injection injury.
- ALWAYS lock the gun trigger, shut the fluid pump off and release all pressure before servicing, cleaning the tip guard, changing tips, or leaving unattended. Pressure will not be released by turning off the engine. The PRIME/SPRAY valve or pressure bleed valve must be turned to their appropriate positions to relieve system pressure.
- ALWAYS keep tip guard in place while spraying. The tip guard provides some protection but is mainly a warning device.
- ALWAYS remove the spray tip before flushing or cleaning the system.
- NEVER use a spray gun without a working trigger lock and trigger guard in place.
- All accessories must be rated at or above the maximum operating pressure range of the sprayer. This includes spray tips, guns, extensions, and hose.


WARNING: HIGH PRESSURE HOSE

The paint hose can develop leaks from wear, kinking and abuse. A leak can inject material into the skin. Inspect the hose before each use.

PREVENTION:

- Avoid sharp bending or kinking of the high-pressure hose. The smallest bending radius amounts to about 20 cm.
- Do not drive over the high-pressure hose. Protect against sharp objects and edges.
- Replace any damaged high-pressure hose immediately.
- Never repair damaged high-pressure hoses yourself!
- Electrostatic charging of spray guns and the high-pressure hose is discharged through the high-pressure hose. For this reason the electric resistance between the connections of the high-pressure hose must be equal to or lower than 1MΩ.
- For reasons of function, safety and durability use only original Titan high-pressure hoses.
- Before each use, check all hoses for cuts, leaks, abrasion or bulging of cover. Check for damage or movement of couplings. Immediately replace the hose if any of these conditions exist. Never repair a paint hose. Replace it with another earthed high-pressure hose.
- Make sure power cord, air hose and spray hoses are routed in such a manner to minimize slip, trip and fall hazard.
- Do not expose the hose to temperatures or pressures in excess of those specified by the manufacturer.
- Do not use the hose as a strength member to pull or lift the equipment.


WARNING: EXPLOSION OR FIRE

Flammable vapors, such as solvent and paint vapors, in work area can ignite or explode.


PREVENTION:

- Use equipment only in well ventilated area. Keep a good supply of fresh air moving through the area to keep the air within the spray area free from accumulation of flammable vapors. Keep pump assembly in well ventilated area. Do not spray pump assembly.
- Do not use the unit in work places which are covered by the explosion protection regulations. The unit is not designed to be explosion protected. Do not operate the device in explosive areas (zone 0, 1 and 2).
- Do not fill fuel tank while engine is running or hot; shut off engine and allow to cool. Fuel is flammable and can ignite or explode if spilled on a hot surface.
- Eliminate all ignition sources, such as pilot lights, cigarettes, portable electric lamps and plastic drop cloths (potential static arc).
- Keep work area free of debris, including solvent, rags and gasoline.
- Do not plug or unplug power cords, or turn power or light switches on or off when flammable vapors are present.
- Ground equipment and conductive objects in work area. Make sure the grounding cable (not equipped) is connected from the grounding lug to a true earth ground.
- Use only grounded hoses.
- Hold spray gun firmly to the side of a grounded pail when triggering into pail.
- If there is static sparking or if you feel a shock, stop operation immediately.
- Know the contents of the paint and solvents being sprayed. Read all material Safety Data Sheets (SDS) and container labels provided with the paints and solvents. Follow the paint and solvent manufacturer's safety instructions.
- Do not use a paint or solvent containing halogenated hydrocarbons. Such as chlorine, bleach, mildewcide, methylene chloride and trichloroethane. They are not compatible with aluminum. Contact the coating supplier about compatibility of material with aluminum.
- Keep a fire extinguisher in work area.



WARNING: HAZARDOUS VAPORS

Paints, solvents, and other materials can be harmful if inhaled or come in contact with body. Vapors can cause severe nausea, fainting, or poisoning.

PREVENTION:

- Wear respiratory protection when spraying. Read all instructions supplied with the mask to be sure it will provide the necessary protection.
- All local regulations regarding protection against hazardous vapors must be observed.
- Wear protective eyewear.
- Protective clothing, gloves and possibly skin protection cream are necessary for the protection of the skin. Observe the regulations of the manufacturer concerning coating materials, solvents and cleaning agents in preparation, processing and cleaning units.



WARNING: GENERAL

This product can cause severe injury or property damage.

PREVENTION:

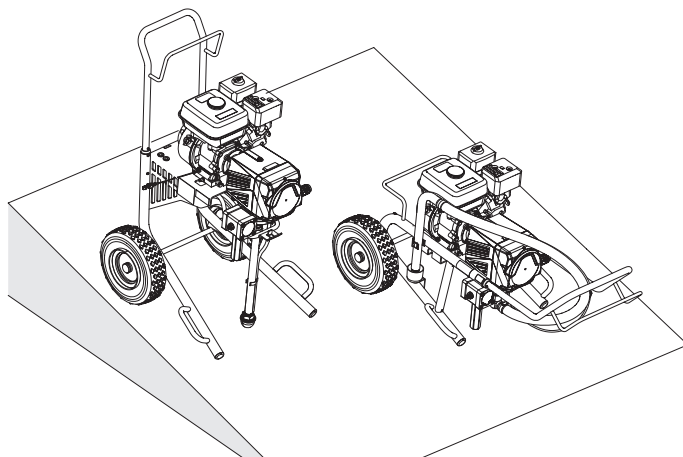
- Follow all appropriate local, state, and national codes governing ventilation, fire prevention, and operation.
- Pulling the trigger causes a recoil force to the hand that is holding the spray gun. The recoil force of the spray gun is particularly powerful when the tip has been removed and high pressure has been set on the airless pump. When cleaning without a spray tip, set the pressure control knob to the lowest pressure.
- Use only manufacturer authorized parts. User assumes all risks and liabilities when using parts that do not meet the minimum specifications and safety devices of the pump manufacturer.
- ALWAYS follow the material manufacturer's instructions for safe handling of paint and solvents.
- Clean up all material and solvent spills immediately to prevent slip hazard.
- Wear ear protection. This unit can produce noise levels above 85 dB(A).
- Never leave this equipment unattended. Keep away from children or anyone not familiar with the operation of airless equipment.
- Do not spray on windy days.

- The device and all related liquids (i.e. hydraulic oil) must be disposed of in an environmentally friendly way.
- Stay alert and watch what you are doing.
- Do not operate the unit when fatigued or under the influence of drugs or alcohol.
- Do not overreach or stand on an unstable support. Keep effective footing and balance at all times.

1.3 SETUP ON AN UNEVEN SURFACE

The front end must always point downwards in order to avoid sliding away.

If possible do not use the unit on an inclined surface since the unit tends to wander through the resulting vibrations.



1.4 GASOLINE ENGINE SAFETY

1. Gas engines are designed to give safe and dependable service if operated according to instructions. Read and understand the engine manufacturer's Owner's Manual before operating the engine. Failure to do so could result in personal injury or equipment damage.
2. To prevent fire hazards and to provide adequate ventilation, keep the engine at least 1 meter (3 feet) away from buildings and other equipment during operation. Do not place flammable objects close to the engine.
3. People who are not operating the device must stay away from the area of operation due to a possibility of burns from hot engine components or injury from any equipment the engine may be used to operate.
4. Know how to stop the engine quickly, and understand the operation of all controls. Never permit anyone to operate the engine without proper instructions.
5. Gasoline is extremely flammable and is explosive.
6. Refuel in a well-ventilated area with the engine stopped. Do not smoke or allow flames or sparks in the refueling area or where gasoline is stored.
7. Do not overfill the fuel tank. After refueling, make sure the tank cap is closed properly and securely.
8. Be careful not to spill fuel when refueling. Fuel vapor or spilled fuel may ignite. If any fuel is spilled, make sure the area is dry before starting the engine.
9. Never run the engine in an enclosed or confined area. Exhaust contains poisonous carbon monoxide gas; exposure may cause loss of consciousness and may lead to death.
10. The muffler becomes very hot during operation and remains hot for a while after stopping the engine. Be careful not to touch the muffler while it is hot. To avoid severe burns or fire hazards, let the engine cool before transporting it or storing it indoors.
11. Never ship/transport sprayer with gasoline in the tank.

1.5 FUELING



Gasoline is extremely flammable and is explosive under certain conditions.

FUEL SPECIFICATIONS

Use automotive gasoline that has a pump octane number of 86 or higher, or that has a research octane number of 91 or higher.



If "spark knock" or "pinging" occurs at a steady engine speed under normal load, change brands of gasoline. If spark knock or pinging persists, consult an authorized dealer of the engine manufacturer. Failure to do so is considered misuse, and damage caused by misuse is not covered by the engine manufacturer's limited warranty.

Occasionally you may experience light spark knock while operating under heavy loads. This is no cause for concern, it simply means your engine is operating efficiently.

- Unleaded fuel produces fewer engine and spark plug deposits and extends the life of the exhaust system components.
- Never use stale or contaminated gasoline or an oil/gasoline mixture. Avoid getting dirt, dust, or water in the fuel tank.

GASOLINES CONTAINING ALCOHOL

Be sure the octane rating is at least as high as that recommended by the engine manufacturer. Do not use gasohol that contains more than 10% ethanol. Do not use gasoline containing methanol.



Fuel system damage or engine performance problems resulting from the use of fuels that contain alcohol is not covered under the warranty.

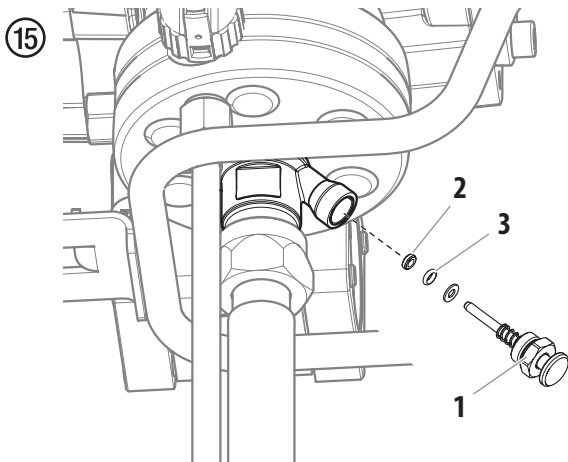
2 REPAIRS



Prior to making any repairs, make sure to perform the Pressure Relief Procedure, section 4.5 of the Operating Manual (form no 2418919).

2.1 INLET VALVE PUSHER

1. Use a 17 mm wrench to screw out the inlet valve button (Fig. 15, item 1).
2. Replace the wiper (2) and O-ring (3).



2.2 INLET VALVE

1. Place a 30 mm wrench on the housing (Fig. 16, item 1).
2. Loosen the housing (1) with light blows of a hammer on the end of the wrench.
3. Screw out the housing with the inlet valve (2) from the paint section.
4. Remove the clasp (3) using a screwdriver.
5. Place the 30 mm wrench on the inlet valve (2). Turn out the inlet valve carefully.

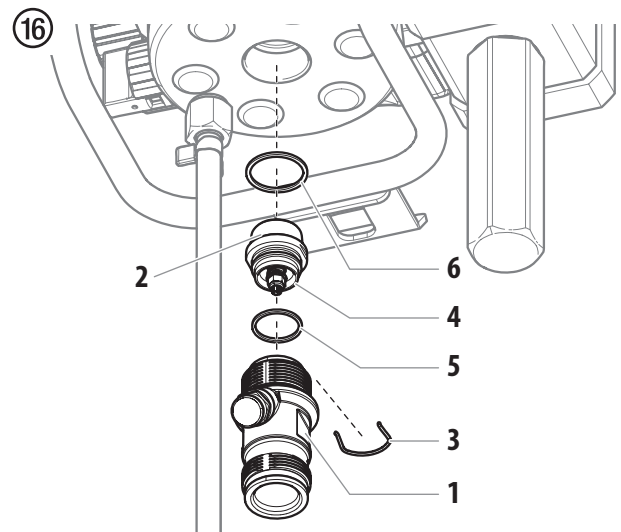


Never pry the valve out or damage to the housing will occur.

6. Clean the valve seat (4) with a cleaning agent and brush (ensure that no brush hairs are left behind).
7. Clean the seals (5, 6) and check for damage. Replace, if necessary.
8. Check all the valve parts for damage. In case of visible wear replace the inlet valve.

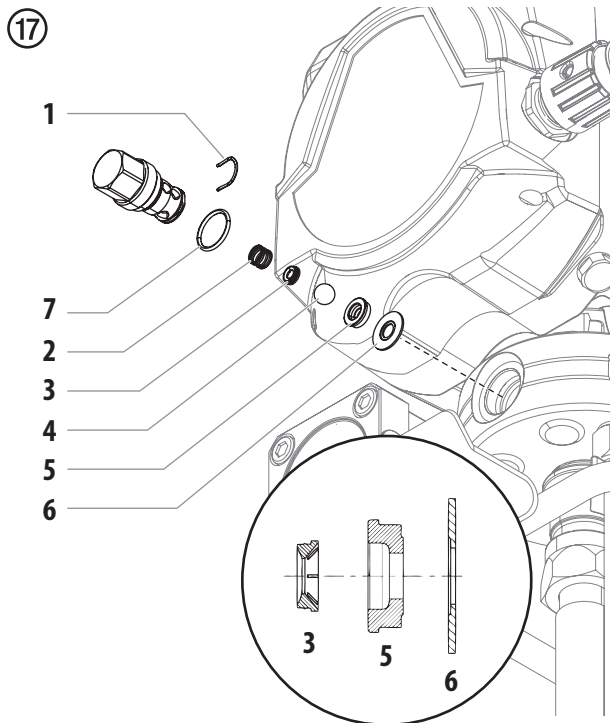
INSTALLATION

1. Insert the inlet valve (2) into the housing (1) and secure with the clasp (3). Ensure that the (black) seal (5) is mounted in the pusher housing.
2. Screw the unit from the housing and the inlet valve into the paint section. The same (black) seal (6) has to be mounted in the paint section.
3. Tighten the pusher housing with the 30 mm wrench and tighten with three light blows of the hammer on the end of the wrench. (Corresponds to approx. 90 Nm tightening torque).



2.3 OUTLET VALVE

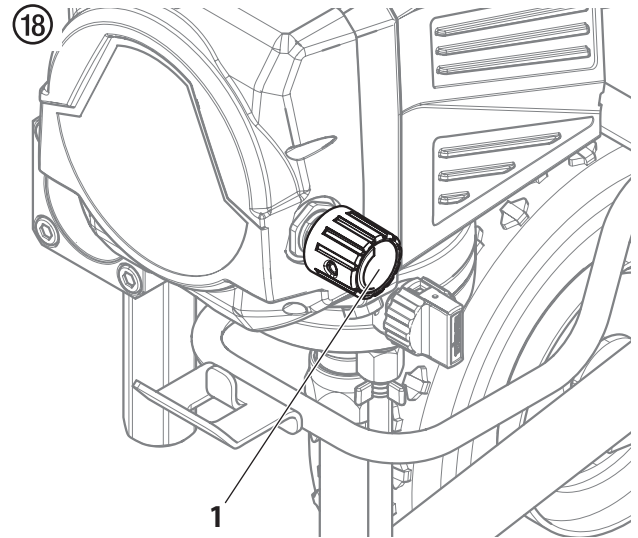
1. Use a 22 mm wrench to remove the outlet valve from the paint section.
2. Carefully remove the clasp (Fig. 17, pos. 1) using a screwdriver. The compression spring (2) presses ball (4) and valve seat (5) out.
3. Clean or replace the components.
4. Check the O-ring (7) for damage.
5. Check the installation position when mounting the spring support ring (3) (clipped onto spring (2)), outlet valve seat (5) and seal (6), refer to figure.
6. Torque the inlet valve housing to 37 ft.-lbs (50 Nm).



2.4 PRESSURE CONTROL VALVE



Only have the pressure control valve (1) replaced by an Authorized Titan Service Center.
The max. operating pressure has to be reset by an Authorized Titan Service Center.



2.5 TYPICAL WEAR PARTS

Despite the use of high-quality materials the highly abrasive effect of the paints means that wear can occur at the following parts:

INLET VALVE (spare part Order No.: 2411377)

For replacing refer to Section 2.2

(failure becomes noticeable through performance loss and/or poor or no suction)

OUTLET VALVE (spare part Order No.: 2413371)

For replacing refer to Section 2.3

Attention!

Danger de blessure par injection de produit!

Les groupes "Airless" produisent des pressions de projection extrêmement élevées.



1

Ne jamais exposer les doigts, les mains ou d'autres parties du corps au jet!

Ne jamais diriger le pistolet vers soi, vers d'autres personnes ou vers des animaux.

Utiliser toujours le pistolet muni de sa protection.

Ne traitez pas une blessure par injection comme simple coupure. En cas de blessure de la peau par l'injection de peintures ou de solvants, consultez sans retard un médecin. Renseignez le médecin sur la nature de la peinture ou du solvant utilisés.

2

Avant toute mise en service, respecter les points suivants conformément aux instructions de service:

1. Ne jamais utiliser un équipement défectueux.
2. Verrouiller le pistolet Titan par le levier de sécurité à la gâchette.
3. Assurer la mise à la terre correcte.
4. Vérifier et respecter les pressions admissibles pour le flexible et le pistolet.
5. Contrôler l'étanchéité de tous les raccords.

3

Respecter sans faute les instructions relatives au nettoyage et à l'entretien réguliers du matériel.

Avant toute intervention sur le matériel et pendant chaque interruption de travail, observer les règles suivantes:

1. Evacuer la pression du pistolet et du flexible.
2. Verrouiller le pistolet Titan par le levier de sécurité à la gâchette.
3. Arrêter le groupe.

Ne négligez pas la sécurité!

1	PRESCRIPTIONS DE SÉCURITÉ POUR LA PULVÉRISATION AIRLESS	12
1.1	Explication des symboles utilisés	12
1.2	Dangers pour la sécurité	12
1.3	Utilisation sur un terrain incliné	14
1.4	Sécurité du moteur à essence	15
1.5	Ravitaillement (moteur à essence)	15
2	RÉPARATIONS SUR L'APPAREIL	16
2.1	Poussoir de la vanne d'aspiration	16
2.2	Vanne d'aspiration	16
2.3	Clapet de refoulement	17
2.4	Vanne de réglage de pression	17
2.5	Pièces d'usure typiques	17
	ACCESSOIRES ET PIÈCES DE RECHANGE	26
	Liste des pièces de rechange ensemble principal	26/27
	Liste des pièces de rechange ensemble de chariot • 2407310	28/29
	Liste des pièces de rechange ensemble de chariot • 2407311	30/31
	Liste de pièces de rechange pour l'ensemble de pompe	32/33
	Liste des pièces de rechange filtre à haute pression	34
	Liste de pièces de rechange pour l'ensemble de soupape de refoulement	35
	Liste de pièces de rechange pour l'ensemble de soupape de d'entrée	36
	Liste des pièces de rechange assemblage du tuyau de siphon • 2407311	37
	ACCESSOIRES	38
	GARANTIE	39

1 PRESCRIPTIONS DE SÉCURITÉ

1.1 EXPLICATION DES SYMBOLES UTILISÉS

Veillez lire et être sûr de comprendre toutes les informations contenues dans ce manuel avant d'utiliser l'appareil. Lorsque vous pénétrez dans une zone qui contient les symboles suivants, soyez particulièrement vigilant et vérifiez que les systèmes de sécurité sont bien installés.



→ Ce symbole indique un risque potentiel pouvant entraîner des blessures graves ou même mortelles. Vous trouverez ci-après d'importantes consignes de sécurité.



Attention

→ Ce symbole indique un risque potentiel pour vous ou pour l'appareil. D'importantes informations sur la manière d'éviter tout dommage de l'équipement ou d'éviter des blessures légères sont indiquées ci-après.



→ Danger de blessure par injection de produit



→ Danger d'incendie



→ Risque d'explosion



→ Vapeurs toxiques et/ou inflammables. Danger d'intoxication et de brûlure



→ Risque de choc électrique



→ Les notes contiennent des informations qui doivent être consciencieusement respectées.



→ **AVERTISSEMENT! AVERTISSEMENT EN FONCTION DE LA PROPOSITION 65 DE LA CALIFORNIE**

Cet appareil peut vous exposer à des produits chimiques, y compris le plomb, reconnus par l'État de la Californie pour causer le cancer, des anomalies congénitales ou d'autres troubles de la reproduction.

L'échappement des moteurs des modèles ayant un moteur à essence peut vous exposer au monoxyde de carbone, reconnu par l'État de la Californie pour causer le cancer, des anomalies congénitales ou d'autres troubles de la reproduction.

Pour de plus amples renseignements, consultez le site Web www.P65warnings.ca.gov.

1.2 DANGERS POUR LA SÉCURITÉ



CONSIGNES DE SÉCURITÉ IMPORTANTES
CONSERVEZ CES INSTRUCTIONS.



MISE EN GARDE : BLESSURE PAR PROJECTION

Un courant de liquide à haute pression produit par cet équipement peut percer la peau et les tissus sous-cutanés, et entraîner des blessures graves ou une amputation.

Ne traitez pas une blessure par injection comme simple coupure. En cas de blessure de la peau par l'injection de peintures ou de solvants, consultez sans retard un médecin. Renseignez le médecin sur la nature de la peinture ou du solvant utilisés.

PRÉVENTION :

- NE dirigez JAMAIS le pistolet vers une partie du corps, quelle qu'elle soit.
- NE laissez JAMAIS une partie du corps entrer en contact avec le flux de liquide. NE laissez JAMAIS votre corps au contact d'une fuite dans le tuyau de liquide.
- NE placez JAMAIS vos mains devant le pistolet. Les gants ne constituent pas un rempart suffisant contre les blessures par projection.
- Bloquez TOUJOURS la gâchette du pistolet, éteignez la pompe et vidangez toute la pression avant toute opération d'entretien, avant de nettoyer une buse ou une protection, avant de changer une buse ou si vous laissez l'appareil sans surveillance. La pression ne s'évacue pas simplement en éteignant le moteur. La vanne PRIME/SPRAY ou la vanne de décharge de la pression doivent être placées dans les positions souhaitées pour vidanger la pression.
- Conservez TOUJOURS la protection de la buse en place lorsque vous pulvérisez. La protection de la buse fournit une certaine protection mais il s'agit principalement d'un système d'alarme.
- Enlevez TOUJOURS la buse de pulvérisation avant de rincer ou de nettoyer le système.
- N'utilisez JAMAIS un pistolet pulvérisateur sans blocage de gâchette et sans protection de gâchette.
- Tous les accessoires doivent pouvoir travailler à la pression de travail maximale du pulvérisateur ou au-dessus. Ceci concerne les buses de pulvérisation, les pistolets, les rallonges et le tuyau.



RISQUE : FLEXIBLE À HAUTE PRESSION

Le tuyau de peinture peut présenter des fuites dues à l'usure, aux pincements et aux mauvaises utilisations. Toute fuite peut entraîner une projection de matériau dans la peau. Vérifiez soigneusement le tuyau avant chaque utilisation.

PRÉVENTION :

- Il faut éviter de trop plier le flexible; le plus petit rayon ne doit pas être inférieur à 20 cm.
- Protéger le flexible contre le passage de véhicules et éviter le frottement sur des arêtes vives.
- Remplacer immédiatement tout tuyau à haute pression endommagé.
- Ne jamais essayer de réparer un flexible endommagé!
- La charge électrostatique du pistolet et du flexible est évacuée par ce dernier. Pour cette raison, la résistance électrique entre les raccords du flexible doit être égale ou inférieure à 1 mégaohm.
- Pour des raisons de fonctionnement, de sécurité et de durée utile utiliser exclusivement des flexibles à haute pression originaux de Titan.
- Avant chaque utilisation, vérifiez que les tuyaux ne présentent ni coupures, ni fuites, ni signes d'abrasion ou de renflement du revêtement. Vérifiez l'état et le mouvement des raccords. Remplacez immédiatement les tuyaux s'ils sont en mauvais état. Ne réparez jamais un tuyau de peinture. Remplacez-le par un tuyau à haute pression relié à la masse.
- Assurez vous que le tuyau à air et les tuyaux de pulvérisation sont disposés de façon à éviter les risques de glissade, de trébuchement ou de chute.
- N'exposez pas le tuyau à des températures ou des pressions dépassant celles précisées par les fabricants.
- N'utilisez pas le tuyau comme élément de renforcement pour tirer ou lever l'équipement.



MISE EN GARDE : EXPLOSION ET INCENDIE



Les vapeurs inflammables, telles que les vapeurs de solvant et de peinture, dans une zone de travail peuvent s'enflammer ou exploser.

PRÉVENTION :

- Servez-vous de l'équipement dans un endroit bien aéré. Faites circuler beaucoup d'air frais dans l'endroit afin d'éviter l'accumulation de vapeurs inflammables dans la zone de pulvérisation. Entrez l'ensemble de la pompe dans un endroit bien aéré. Ne pulvériser pas l'ensemble de la pompe.

- N'utilisez pas l'appareil dans des lieux de travail visés par le règlement sur la protection contre les explosions. L'appareil n'est pas conçu pour être protégé contre les explosions. N'utilisez pas l'appareil dans des zones d'explosifs (zones 0, 1 et 2).
- Ne faites jamais le plein lorsque le moteur est en marche ou chaud. Éteignez le moteur et laissez-le refroidir. L'essence est inflammable. Elle peut s'enflammer ou exposer si on en renverse sur une surface chaude.
- Éliminez toutes les sources d'inflammation, comme les veilleuses, les cigarettes, les lampes électriques portatives et les toiles de protection en plastique (risque d'arc statique).
- Gardez la zone de travail exempte de débris, y compris des solvants, des chiffons et d'essence.
- Ne branchez ou ne débranchez pas les cordons d'alimentation, ne mettez pas l'appareil en marche, n'allumez ou n'éteignez pas les lumières lorsque des vapeurs inflammables sont présentes.
- Mettez à terre l'équipement et les objets conducteurs dans la zone de travail. Assurez-vous que la chaîne de mise à la terre est en place et atteint le sol.
- Utilisez uniquement des tuyaux mis à la terre.
- Tenez le pistolet de pulvérisation fermement contre le côté d'un seau mis à la terre lorsque vous pulvériser dans le seau.
- S'il y a production d'étincelles statiques ou si vous ressentez un choc, arrêtez le fonctionnement immédiatement.
- Soyez au courant du contenu de la peinture et des solvants à pulvériser. Lisez toutes les fiches signalétiques (FS) et les étiquettes des récipients de peinture et de solvant. Suivez les consignes de sécurité du fabricant de peinture et du solvant.
- N'utilisez pas de peinture ou de solvant contenant des hydrocarbures hydrogénés, comme du chlore, de l'eau de Javel, un agent anti-moisissure, du chlorure de méthylène et du trichloroéthane. Ils ne sont pas compatibles avec l'aluminium. Communiquez avec le fournisseur de revêtement au sujet de la compatibilité du produit avec l'aluminium.
- Gardez un extincteur dans la zone de travail.



MISE EN GARDE : VAPEURS DANGEREUSES

Les peintures, solvants, et autres matériaux peuvent être nocifs en cas d'inhalation ou de contact avec la peau. Les vapeurs peuvent entraîner de sérieuses nausées, des syncopes ou des empoisonnements.

PRÉVENTION :

- Pendant le travail de protection porter un masque respiratoire. Lisez attentivement toutes les instructions fournies avec le masque pour vous assurer qu'il fournit bien la protection nécessaire.
- Tous les règlements locaux en matière de protection contre les vapeurs toxiques doivent être respectés.
- Portez des protections oculaires.
- Pour protéger la peau il est nécessaire de porter des vêtements de protection, des gants et d'utiliser éventuellement une crème de protection de la peau. Observer les prescriptions des fabricants au sujet des produits de peinture, de nettoyage et des solvants pendant la préparation, la mise en oeuvre et le nettoyage du matériel.



MISE EN GARDE : GÉNÉRALITÉS

peut entraîner des blessures sévères ou des dégâts matériels.

PRÉVENTION :

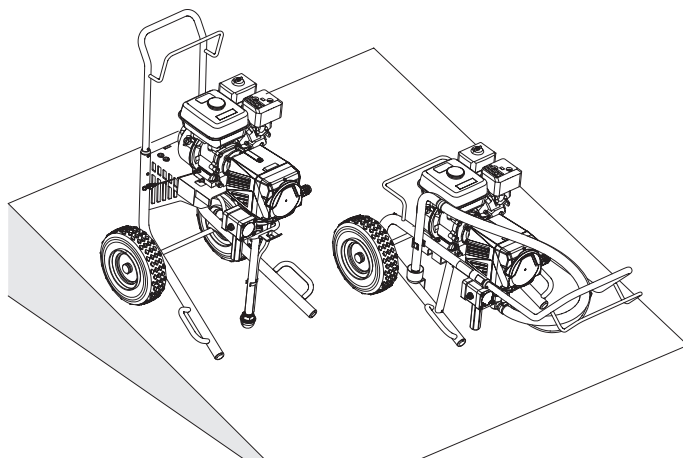
- Respectez toutes les réglementations locales et nationales concernant la ventilation, la prévention des incendies et le fonctionnement.
- Lorsque vous appuyez sur la détente, il se produit un mouvement de recul de la main qui tient le pistolet pulvérisateur. Le recul du pistolet pulvérisateur est particulièrement puissant lorsque la buse a été démontée et lorsque la pompe sans air a été réglée sur une pression élevée. Lors du nettoyage sans buse, réglez donc le bouton de contrôle de la pression sur la pression minimale.
- N'utilisez que des pièces de rechange d'origine. L'utilisateur assume tous les risques s'il utilise des pièces qui ne correspondent pas aux spécifications minimales et aux dispositifs de sécurité du fabricant de la pompe.
- Respectez TOUJOURS les consignes du fabricant du matériau pour manipuler la peinture et les solvants en toute sécurité.
- Nettoyez immédiatement les matériaux tombés et le solvant déversé accidentellement, afin d'éviter les risques de glissade.

- Munissez-vous d'une protection auditive. Le bruit émis par cet appareil peut dépasser les 85 dB(A).
- Ne laissez jamais cet outil sans surveillance. Tenez-le hors de portée des enfants ou des personnes non familiarisées avec le fonctionnement des équipements sans air.
- Ne vaporisez pas à l'extérieur en cas de vent.
- L'appareil et tous ses liquides (p. ex., huile hydraulique) doivent être détruits sans danger pour l'environnement.
- Restez vigilant et surveillez ce que vous faites.
- N'utilisez pas l'appareil lorsque vous êtes fatigués ou sous l'influence de drogues ou d'alcool.
- Ne vous penchez pas trop ou ne vous tenez pas sur un support instable. Gardez une position stable et un bon équilibre en tout temps.

1.3 UTILISATION SUR UN TERRAIN INCLINÉ

La partie avant du groupe doit montrer vers le bas afin d'éviter un déplacement involontaire.

Sur les supports inclinés, l'appareil ne peut pas être utilisé, vu qu'il a tendance à migrer du fait des vibrations.



1.4 SÉCURITÉ DU MOTEUR À ESSENCE

1. Les moteurs à essence sont conçus pour offrir un service sûr et stable à condition d'être utilisés conformément aux instructions. Lisez attentivement et assurez-vous de bien comprendre le Manuel d'utilisateur du fabricant du moteur avant d'utiliser le moteur. Dans le cas contraire, vous pourriez vous blesser ou endommager l'équipement.
2. En vue d'éviter tout risque d'incendie et de fournir une ventilation adéquate, conservez le moteur à 1 mètre (3 pieds) minimum de tout bâtiment et de tout autre équipement pendant son fonctionnement. Ne placez pas d'objets inflammables à proximité du moteur.
3. Les personnes qui n'utilisent pas l'appareil doivent s'en éloigner afin d'éviter le risque de brûlures des composantes chaudes du moteur ou le danger de blessures provenant de l'équipement utilisé pour faire fonctionner l'appareil.
4. Sachez comment arrêter rapidement le moteur, et veillez à bien comprendre le fonctionnement de toutes les commandes. N'autorisez jamais personne à utiliser le moteur sans prendre connaissance des instructions adéquates.
5. L'essence est un produit extrêmement inflammable pouvant exploser.
6. Faites le plein d'essence dans une zone suffisamment ventilée, le moteur à l'arrêt. Ne fumez pas et évitez tout flamme ou étincelle dans la zone d'alimentation en essence ou dans le lieu où est stockée l'essence.
7. Ne remplissez pas trop le réservoir d'essence. Après avoir fait le plein d'essence, assurez-vous que le couvercle du réservoir est correctement et solidement refermé.
8. Faites attention à ne pas répandre de l'essence lors du remplissage du réservoir. Les vapeurs d'essence ou l'essence répandue sont susceptibles de s'enflammer. Si vous venez à déverser de l'essence, assurez-vous que la zone est bien sèche avant de mettre le moteur en marche.
9. Ne faites jamais fonctionner le moteur dans un espace clos ou confiné. L'échappement contient du monoxyde de carbone toxique ; toute exposition pourrait occasionner une perte de connaissance, voire entraîner la mort.
10. Le pot d'échappement devient extrêmement chaud pendant le fonctionnement et reste chaud pendant un certain moment même après l'arrêt du moteur. Veillez à ne pas toucher le pot d'échappement lorsqu'il est chaud. En vue d'éviter de sérieuses brûlures ou des risques d'incendie, laissez refroidir le moteur avant de le transporter ou de le ranger à l'intérieur.
11. Ne déplacez / transportez jamais le pulvérisateur lorsqu'il y a de l'essence dans le réservoir.

1.5 RAVITAILLEMENT (MOTEUR À ESSENCE)



L'essence est extrêmement inflammable et explosive dans certaines conditions.

SPÉCIFICATIONS DU CARBURANT

- Utilisez une essence automobile ayant un indice d'octane d'au moins 86, ou un indice d'octane recherche d'au moins 91.



S'il y a un « cognement » ou une « détonation » à une vitesse constante avec une charge normale, utilisez une autre marque d'essence. Si vous obtenez toujours un cognement ou une détonation, consultez un distributeur agréé du fabricant de moteurs. Le fait de ne pas suivre cette directive constitue un abus. Les dommages causés par l'abus ne sont pas couverts par la garantie restreinte du fabricant du moteur.

Il se peut que vous entendiez parfois une détonation légère pendant le fonctionnement avec des charges lourdes. Il n'y a aucune raison de s'inquiéter, cela signifie simplement que votre moteur fonctionne de façon efficiente.

- L'essence sans plomb produit moins de dépôts du moteur et de la bougie, et rallonge la durée de vie des composantes du système d'échappement.
- Ne jamais utiliser de l'essence éventée ou contaminée, ou un mélange d'huile et d'essence. Évitez de laisser entrer de la saleté, de la poussière ou de l'eau dans le réservoir à essence.

ESSENCES CONTENANT DE L'ALCOOL

Assurez-vous qu'elle a au moins un indice d'octane correspondant à celui qui est recommandé par le fabricant du moteur. N'utilisez pas un gasohol qui contient plus de 10 % d'éthanol.



Les dommages au système d'alimentation ou les problèmes de rendement du moteur découlant de l'utilisation d'essences contenant de l'alcool ne sont pas couverts par la garantie.

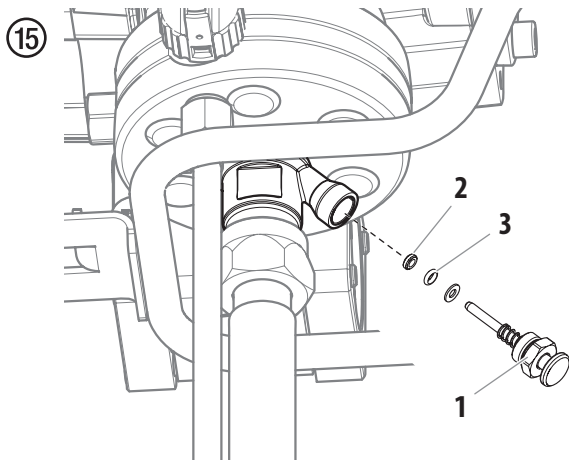
2 RÉPARATIONS SUR L'APPAREIL



Avant d'effectuer des réparations, assurez-vous d'effectuer la procédure de décompression, section 4.5 du manuel d'emploi (form n°. 2418919)

2.1 POUSSOIR DE LA VANNE D'ASPIRATION

1. Dévisser le poussoir de la vanne d'aspiration avec une clé (de 17 mm) (fig. 15, pos. 1).
2. Remplacer le racleur (1) et le joint torique (2).



2.2 VANNE D'ASPIRATION

1. Placer la clé (de 30 mm) fournie sur le corps de poussoir (fig. 16, pos. 1).
2. Desserrer le corps de poussoir (1) à l'aide de petits coups de marteau sur l'extrémité de la clé.
3. Dévisser le corps de poussoir avec la vanne d'aspiration (2) de l'étage de peinture.
4. Enlever l'agrafe (3) avec le tournevis fourni.
5. Placer la clé (de 30 mm) fournie sur la vanne d'aspiration (2). Enlever prudemment la vanne d'aspiration d'un mouvement de rotation.



Attention

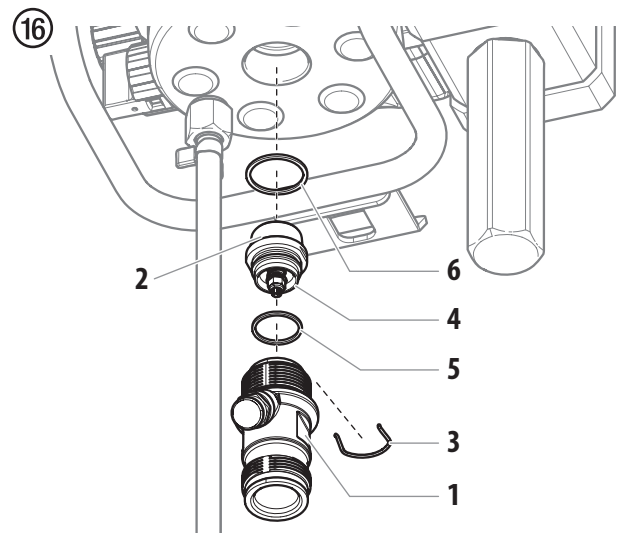
Ne forcez jamais la soupape pour l'ouvrir, sinon vous risquez d'endommager le boîtier.

6. Nettoyer le siège de vanne (4) avec du produit de nettoyage et un pinceau (veiller à ce qu'il ne reste pas de poils de pinceau).

7. Nettoyer les joints (5, 6) et contrôler s'ils sont endommagés, remplacer le cas échéant.
8. Contrôler toutes les pièces de la vanne pour détérioration éventuelle. En cas d'usure visible, remplacer la vanne d'aspiration.

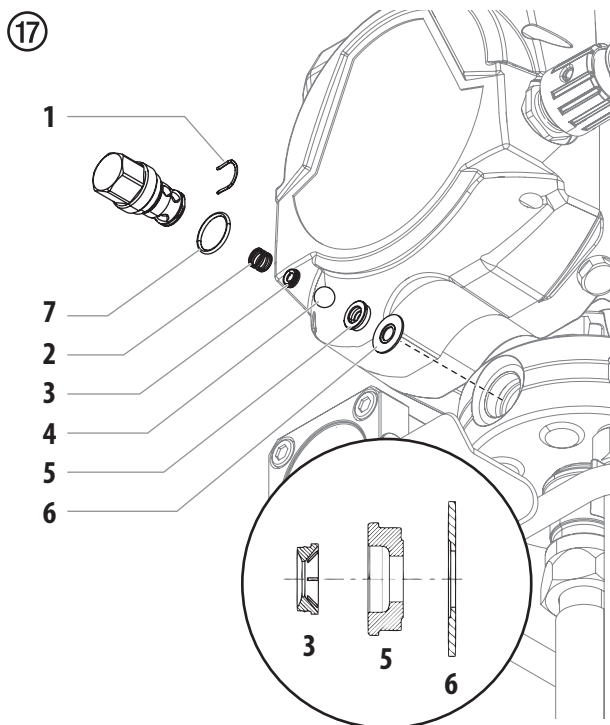
MONTAGE

1. Placer la vanne d'aspiration (2) dans le corps de poussoir (1) et la fixer avec l'agrafe (3). Veiller à ce que le joint (noir) (5) soit monté dans le corps de poussoir.
2. Visser l'ensemble du corps de poussoir et de la vanne d'aspiration dans l'étage de peinture. Le joint (noir) (6) doit être monté dans l'étage de peinture.
3. Serrer le corps de poussoir avec la clé (de 30 mm) et bloquer de trois petits coups de marteau sur l'extrémité de la clé (correspond à un couple de serrage de 90 Nm).



2.3 CLAPET DE REFOULEMENT

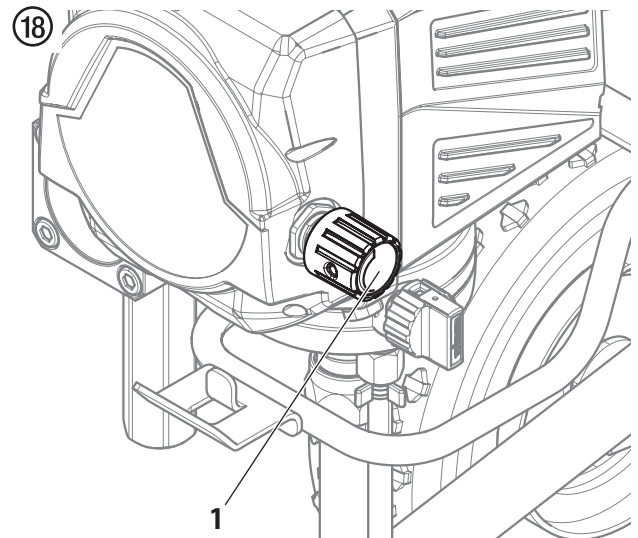
1. Dévisser le clapet de refoulement de l'étage de peinture avec la clé (de 22 mm).
2. Extraire prudemment l'agrafe (1) avec le tournevis le ressort de compression (2) expulse la bille (4) et le siège de vanne (5).
3. Nettoyer ou remplacer les pièces individuelles.
4. Contrôler le joint torique (7) pour détérioration éventuelle.
5. Veiller à la position de montage lors du montage de la bague-support (3) (se clipse dans le ressort de compression (2)), du siège de clapet de refoulement (5) et de la bague d'étanchéité (6) -> voir figure
6. Serrer le clapet de refoulement à 50 Nm.



2.4 VANNE DE RÉGLAGE DE PRESSION



Faire remplacer la vanne de réglage de pression (1) uniquement par le service après-vente.
La pression de service max. doit être à nouveau réglée par le service après-vente.



2.5 PIÈCES D'USURE TYPIQUES

Malgré l'utilisation de matériaux de qualité supérieure, on doit s'attendre à l'usure des éléments suivants du fait de l'action fortement abrasive des peintures:

VANNE D'ASPIRATION (pièce de rechange réf.: 2411377)

Remplacement, voir point 2.2

(La panne se remarque par une perte de puissance et/ou une mauvaise aspiration, voire pas d'aspiration du tout - un nettoyage approfondi peut également déjà apporter une amélioration.)

CLAPET DE REFOULEMENT (pièce de rechange réf.: 2413371)

Remplacement, voir point 2.3

¡Advertencia!

¡Atención: Peligro de lesiones por inyección!

Los equipos Airless producen unas presiones de pulverización extremadamente altas.



1

¡Nunca poner en contacto con el chorro de pulverización ni los dedos, ni las manos ni otras partes del cuerpo!

No dirigir nunca la pistola de pulverización hacia sí mismo, en dirección a otras personas y a animales.

No utilizar jamás la pistola sin el protector contra contactos.

No trate una lesión por pulverización como una lesión de corte inocua. En caso de lesiones cutáneas por contacto con material de recubrimiento o disolvente, consultar inmediatamente a un médico para un tratamiento rápido y correcto. Informe al médico sobre el material de recubrimiento o disolvente utilizado.

2

Antes de toda puesta en funcionamiento se tendrán en cuenta los puntos siguientes; conforme a las instrucciones de uso:

1. No utilizar equipo defectuoso.
2. Asegurar la pistola mediante la palanca de seguridad que se encuentra en la misma.
3. Asegurar la puesta a tierra.
4. Verificar la presión de servicio admitida por la manguera de alta presión y la pistola de pulverización.
5. Controlar la hermeticidad de todos los elementos de unión.

3

Respetar estrictamente las instrucciones dadas para la limpieza y el mantenimiento del equipo que deben efectuarse con toda regularidad.

Antes de cualquier trabajo en el equipo y durante todas las pausas de trabajo, respetar sin falta las reglas siguientes:

1. Descargar la presión de la pistola y la manguera.
2. Asegurar la pistola mediante la palanca de seguridad que se encuentra en la misma.
3. Desconectar el aparato.

¡Preste atención a la seguridad!

1	NORMAS DE SEGURIDAD PARA LA PULVERIZACIÓN AIRLESS	20
1.1	Explicación de los símbolos utilizados	20
1.2	Peligros para la seguridad	20
1.3	Instalación en superficies irregulares	22
1.4	Seguridad en los motores de gasolina	23
1.5	Abastecimiento de combustible (motor de gasolina)	23
2	PREPARACIONES EN EL EQUIPO	24
2.1	Pulsador de válvula de admisión	24
2.2	Válvula de admisión	24
2.3	Válvula de escape	25
2.4	Válvula reguladora de presión	25
2.5	Consumibles típicos	25
	ACCESORIOS Y PIEZAS DE RECAMBIO	26
	Lista de piezas de recambio de conjunto principal	26/27
	Lista de piezas de recambio del carro • 2407310	28/29
	Lista de piezas de recambio del carro • 2407311	30/31
	Lista de piezas de recambio el conjunto de bomba	32/33
	Lista de piezas de recambio del filtro de alta presión	34
	Lista de piezas de recambio el conjunto de válvula de salida	35
	Lista de piezas de recambio el conjunto de válvula de admisión	36
	Lista de piezas de recambio de conjunto de la manguera de sifón • 2407311	37
	ACCESORIOS	38
	GARANTÍA	39

1 NORMAS DE SEGURIDAD PARA LA PULVERIZACIÓN AIRLESS

1.1 EXPLICACIÓN DE LOS SÍMBOLOS UTILIZADOS

El presente manual contiene información que deberá leer y comprender bien antes de utilizar el equipo. Cuando llegue a una sección que tenga uno de los siguientes símbolos, preste especial atención y asegúrese de que se cumplen las medidas de seguridad.



→ Este símbolo indica un peligro potencial que puede provocar lesiones graves e incluso la muerte. A continuación se incluye información importante de seguridad.



→ Este símbolo indica un peligro potencial para usted o para el equipo. A continuación se incluye información importante para evitar daños al equipo o evitar situaciones que podrían provocar lesiones de segundo orden.



→ Peligro de lesiones por inyección



→ Peligro de incendio



→ Peligro de explosión



→ Mezclas de vapores tóxicos y/o inflamables. Peligro de intoxicación y quemadura



→ Peligro de descarga eléctrica



→ Las notas añaden información importante a la que debe prestarse especial atención.



→ **¡ADVERTENCIA! ADVERTENCIA DE LA PROPUESTA 65 DE CALIFORNIA**

Este producto lo puede exponer a productos químicos, como el plomo, que el estado de California sabe que producen cáncer, defectos congénitos u otros daños reproductivos.

El escape del motor de los modelos con motores a gasolina pueden exponerlo a monóxido de carbono, que el estado de California sabe que produce cáncer, defectos congénitos y otros daños reproductivos.

Para obtener más información, visite www.P65warnings.ca.gov.

1.2 PELIGROS PARA LA SEGURIDAD



INSTRUCCIONES IMPORTANTES DE SEGURIDAD. GUARDE ESTAS INSTRUCCIONES.



ADVERTENCIA: LESIÓN CAUSADA POR INYECCIÓN

La corriente de líquido a alta presión que produce este equipo puede perforar la piel y tejidos interiores, pudiendo provocar graves lesiones e incluso hay posibilidad de amputación.

No trate una lesión por pulverización como una lesión de corte inocua. En caso de lesiones cutáneas por contacto con material de recubrimiento o disolvente, consultar inmediatamente a un médico para un tratamiento rápido y correcto. Informe al médico sobre el material de recubrimiento o disolvente utilizado.

PREVENCIÓN:

- NUNCA dirija la pistola a ninguna parte del cuerpo.
- NUNCA toque con ninguna parte del cuerpo la corriente de líquido. NO toque con ninguna parte del cuerpo ninguna fuga en la manguera de líquido.
- NUNCA ponga la mano delante de la pistola. Los guantes no serán protección suficiente contra una lesión por inyección.
- Ponga SIEMPRE el seguro del gatillo de la pistola, cierre la bomba y libere toda la presión antes de realizar labores de mantenimiento y reparación, limpiar la boquilla o el protector, cambiar la boquilla o dejar de usarla. La presión no se descargará apagando el motor. La válvula PRIME/SPRAY (cebar/pulverizar) o válvula de purga de presión debe estar en la posición adecuada para liberar la presión del sistema. Consulte el PROCEDIMIENTO PARA LIBERAR PRESIÓN descrito en el presente manual.
- Mantenga SIEMPRE el protector de la boquilla en su sitio mientras pulveriza. El protector de la boquilla ofrece cierta protección pero principalmente se trata de un dispositivo de advertencia.
- Desmante SIEMPRE la boquilla pulverizadora antes de enjuagar o limpiar el sistema.
- NUNCA use una pistola pulverizadora si el seguro del gatillo no funciona o si la protección del gatillo no está en su sitio.
- Todos los accesorios deben cumplir o superar las especificaciones nominales para la gama de presiones de funcionamiento del pulverizador. Esto incluye boquillas pulverizadoras, pistolas, extensiones y manguera.



ADVERTENCIA: MANGUERA DE ALTA PRESIÓN

En la manguera de pintura pueden aparecer fugas a causa del desgaste, de retorcimientos o de un mal uso. Una fuga puede proyectar material hacia la piel. Revise siempre la manguera antes de usarla.

PREVENCIÓN:

- Evitar doblar mucho o plegar la manguera de alta presión, radio de flexión mínimo, aprox. 20 cm.
- No pasar por encima de la manguera de alta presión, protegerla contra contactos con objetos agudos y cantos cortantes.
- Sustituir inmediatamente la manguera de alta presión dañada.
- ¡No reparar nunca una manguera de alta presión defectuosa!
- La carga electrostática de la pistola de pulverización y la manguera de alta presión se descarga a través de la manguera de alta presión. Por esa razón, la resistencia eléctrica entre los empalmes de la manguera de alta presión debe ser igual o menor a un Megaohm.
- Por razones de funcionamiento, seguridad y duración, emplear únicamente mangueras de alta presión originales de Titan.
- Cada vez que vaya a utilizar el equipo, compruebe antes todas las mangueras en busca de cortes, fugas, abrasión o bultos en la cubierta. Compruebe el movimiento de los acoplamientos y si están dañados. Sustituya inmediatamente una manguera si descubre alguna de estas anomalías. No repare nunca una manguera de pintar. Sustitúyala por una manguera a alta presión puesta a tierra.
- Asegúrese de que la manguera de aire y las mangueras de pulverización estén dispuestos de forma que minimicen el peligro de deslizamientos, tropiezos y caídas.
- No exponga la manguera a temperaturas o presiones por sobre las que especifica el fabricante.
- No use la manguera como un miembro de fuerza para tirar del equipo o para levantarlo.



ADVERTENCIA: EXPLOSIONES E INCENDIOS



Los vapores inflamables, como los vapores de las pinturas y los solventes, pueden encenderse o explotar en el área de trabajo.

PREVENCIÓN:

- Use el equipo solo en áreas bien ventiladas. Mantenga un buen suministro de aire fresco moviéndose a través del área para mantener el aire al interior del área de pulverización libre de acumulación de vapores inflamables. Mantenga el conjunto de la bomba en un área bien ventilada. No pulverice el conjunto de la bomba.
- No use esta unidad en lugares de trabajo cubiertos por los reglamentos de protección contra explosiones. La unidad no está diseñada para contar con protección contra explosiones. No opere el dispositivo en áreas explosivas (zonas 0, 1 y 2).
- No llene el tanque de combustible mientras el motor esté en marcha o está caliente; apague el motor y deje que se enfríe. El combustible es inflamable y puede encenderse o explotar si se derrama sobre una superficie caliente.
- Elimine todas las fuentes de encendido como luces de piloto, cigarrillos, lámparas eléctricas portátiles y cubiertas plásticas (potenciales arcos estáticos).
- Mantenga el área de trabajo libre de desechos, lo que incluye solventes, trapos y gasolina.
- No conecte o desconecte cables de alimentación ni prenda o apague interruptores de luz o de energía cuando hay vapores inflamables presentes.
- Conecte a tierra los equipos y objetos conductores en el área de trabajo. Asegúrese de que la cadena de conexión a tierra esté instalada y toque el suelo.
- Use solo mangueras conectadas a tierra.
- Sostenga firmemente la pistola pulverizadora en el costado de un cubo conectado a tierra cuando se aprieta el gatillo hacia un cubo.
- Si hay formación estática de chispas o si usted siente una descarga, detenga inmediatamente la operación.
- Conozca el contenido de la pintura y de los solventes que se pulverizan. Lea todas las hojas de datos de seguridad de materiales (SDS) y las etiquetas de los recipientes proporcionadas con las pinturas y solventes. Siga las instrucciones de seguridad de los fabricantes de las pinturas y los solventes.

- No use una pintura o un solvente que contenga hidrocarburos halogenados. Tales como: cloro, fungicida, blanqueador, cloruro de metileno y tricloroetano. Estos no son compatibles con el aluminio. Contacte con el proveedor del recubrimiento para obtener información acerca de la compatibilidad del material con el aluminio.
- Mantenga un extintor de incendios en el área.



ADVERTENCIA: VAPORES PELIGROSOS

Las pinturas, disolventes, y otros materiales pueden ser perjudiciales si se inhalan o entran en contacto con el cuerpo. Los vapores pueden provocar náuseas intensas, desmayos o envenenamiento.

PREVENCIÓN:

- Ponerse una careta respiratoria durante los trabajos de pulverización. Lea todas las instrucciones facilitadas con la mascarilla para asegurarse de que proporciona toda la protección necesaria.
- Se deben respetar todas las normas de seguridad con respecto a la protección contra vapores dañinos.
- Lleve gafas protectoras.
- Para proteger la piel se necesitan especialmente ropa protectora, guantes y, si es necesario, crema cutánea de protección. Prestar atención a las prescripciones de los fabricantes con respecto a materiales de recubrimiento, disolventes y agentes limpiadores durante la preparación, el tratamiento y la limpieza de los aparatos.



PELIGRO: GENERAL

Pueden producirse lesiones graves o daños materiales.

PREVENCIÓN:

- Cumpla todos los reglamentos locales, estatales y nacionales pertinentes relativos a ventilación, prevención de incendios y funcionamiento.
- Al apretar el gatillo, la mano que sujeta la pistola pulverizadora experimenta una fuerza de retroceso. La fuerza de retroceso de la pistola pulverizadora es especialmente fuerte cuando se quita la boquilla y se selecciona una presión alta para la bomba airless. Cuando vaya a limpiar la boquilla pulverizadora, ponga la perilla de control de presión al mínimo.
- Emplee solamente piezas autorizadas por el fabricante. El usuario asumirá todos los riesgos y toda la responsabilidad cuando utilice piezas que no cumplan con las especificaciones mínimas y dispositivos de seguridad del fabricante de la bomba.

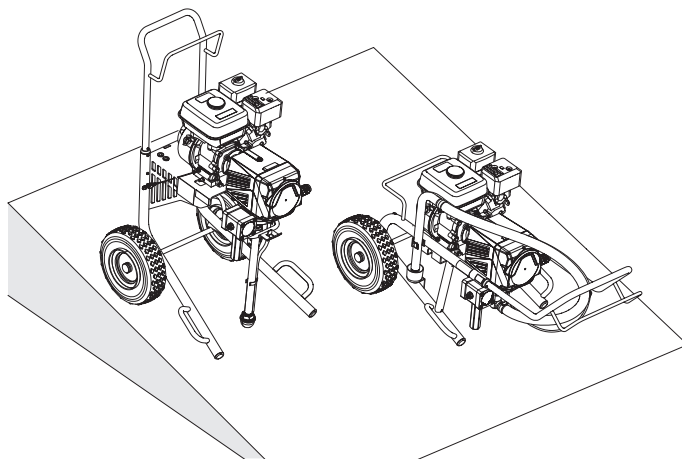
- Siga SIEMPRE las instrucciones del fabricante del material para que la manipulación de pinturas y disolventes sea segura.
- Limpie inmediatamente todos los derrames de materiales y solventes para evitar el peligro de deslizamiento.
- Lleve protección para los oídos. El aparato puede producir niveles de ruido superiores a 85 dB(A).

- Nunca deje este equipo sin vigilancia. Manténgalo fuera del alcance de los niños o de cualquier persona que no esté familiarizada con el funcionamiento de equipos airless.
- No pulverice al aire libre si hace viento.
- El dispositivo y todos los líquidos relacionados (es decir, aceite hidráulico) se deben desechar de una forma amigable con el medioambiente.
- Manténgase alerta y observe lo que está haciendo.
- No opere la unidad cuando esté fatigado o bajo la influencia de drogas o alcohol.
- No se estire demasiado ni se ponga de pie sobre un soporte inestable. Mantenga una posición y un equilibrio eficaces en todo momento.

1.3 INSTALACIÓN EN SUPERFICIES IRREGULARES

La parte frontal del equipo debe estar dirigida hacia abajo para evitar cualquier resbalamiento.

Sobre fondos inclinados, ya que tiende a moverse mediante vibraciones.



1.4 SEGURIDAD EN LOS MOTORES DE GASOLINA

1. Los motores de gasolina están diseñados para proveer un servicio seguro y confiable si se los opera siguiendo las instrucciones. Lea y comprenda el manual del usuario del fabricante del motor antes de utilizarlo; de lo contrario, pueden provocarse lesiones personales o daños al equipo.
2. Mientras el motor esté funcionando, manténgalo al menos a 1 metro (3 pies) de edificios y otros equipos para evitar riesgos de incendio y proveer una adecuada ventilación. No coloque elementos inflamables cerca del motor.
3. Las personas que no están operando el dispositivo deben alejarse del área de funcionamiento, debido a la posibilidad de quemaduras producto de los componentes calientes del motor o lesiones desde cualquier equipo cuyo motor se use para funcionar.
4. Aprenda a detener el motor rápidamente y comprenda el funcionamiento de todos los mandos. No permita que nadie utilice el motor sin recibir las instrucciones adecuadas.
5. La gasolina es extremadamente inflamable y se hace explosiva.
6. Al cargar combustible, hágalo en un área bien ventilada y con el motor apagado. No fume y evite la presencia de llamas o chispas en el área de carga de combustible y en el lugar donde se almacena gasolina.
7. No sobrecargue el depósito de combustible. Luego de llenarlo, asegúrese de que la tapa quede cerrada adecuada y firmemente.
8. Tenga la precaución de no derramar combustible al cargar el depósito. El vapor del combustible o el combustible derramado pueden inflamarse. Si se derrama combustible, asegúrese de que el área quede seca antes de poner en funcionamiento el motor.
9. El motor no debe funcionar en un lugar cerrado o pequeño. Los gases de escape contienen monóxido de carbono, un gas venenoso cuya presencia puede causar pérdida de conocimiento y provocar la muerte.
10. El silenciador se calienta mucho durante el funcionamiento y permanece caliente por un tiempo luego de haber detenido el motor. Tenga la precaución de no tocar el silenciador mientras esté caliente. Para evitar quemaduras graves y riesgos de incendio, deje que el motor se enfríe antes de transportarlo o guardarlo bajo techo.
11. No transporte o mueva el pulverizador con gasolina en el depósito.

1.5 ABASTECIMIENTO DE COMBUSTIBLE (MOTOR DE GASOLINA)



La gasolina es extremadamente inflamable y es explosiva bajo ciertas condiciones.

ESPECIFICACIONES ACERCA DEL COMBUSTIBLE

- Use gasolina para automóviles de 86 o más octanos, el cual se indica en el surtidor, o bien, que tenga un número de octano de investigación de 91 o superior.



Si se presenta un “golpe de bujía” o “detonación” a una velocidad constante de motor con una carga normal, cambie la marca de combustible. Si el golpe de bujía o detonación persiste, consulte a un distribuidor autorizado del fabricante del motor. De lo contrario, se considera uso indebido, y el daño causado por el uso indebido no está cubierto por la garantía limitada del fabricante del motor.

En ocasiones, es posible que experimente un golpe de bujía leve mientras opera bajo cargas pesadas. Esto no es motivo de preocupación, simplemente significa que el motor está funcionando de manera eficaz.

- El combustible sin plomo produce menos depósitos en el motor y de la bujía de encendido, y extiende la vida útil de los componentes del sistema de escape.
- Nunca use gasolina contaminada o en mal estado o una mezcla de gasolina y aceite. Evite que entre suciedad, polvo o agua al tanque.

GASOLINAS QUE CONTIENEN ALCOHOL

Asegúrese de que el octanaje sea al menos equivalente al que recomienda el fabricante del motor. No use gasohol que contenga más de 10 % de etanol. No use gasolina que contenga metanol.



Los daños al sistema de gasolina o los problemas de rendimiento del motor que resulten del uso de combustibles que contengan alcohol no están cubiertos por la garantía.

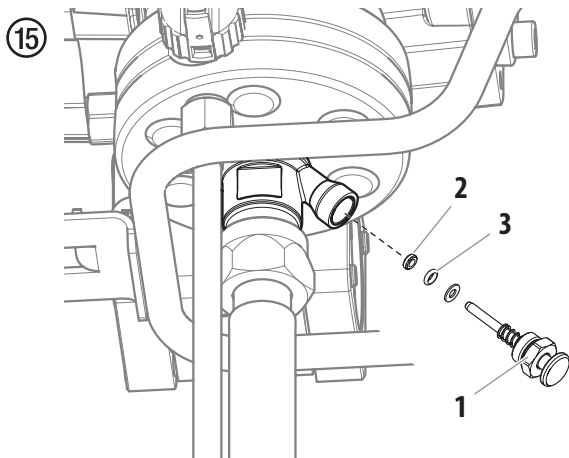
2 REPARACIONES EN EL EQUIPO



Antes de realizar reparaciones, asegúrese de realizar el Procedimiento de alivio de presión, sección 4.5 del manual de instrucciones (form. no. 2418919).

2.1 PULSADOR DE VÁLVULA DE ADMISIÓN

1. Desenroscar el pulsador de válvula de admisión con llave de 17 mm.
2. Cambiar el separador (Fig. 15, pos. 1) y el anillo toroidal (2).



2.2 VÁLVULA DE ADMISIÓN

1. Aplicar la llave adjuntada de 30 mm en la caja del pulsador (Fig. 16, pos. 1).
2. Aflojar la caja del pulsador (1) dando ligeros golpes de martillo en el extremo de la llave.
3. Desenroscar la caja del pulsador con la válvula de admisión (2) fuera de la zona de pintura.
4. Extraer la horquilla (3) con el atornillador adjuntado.
5. Aplicar la llave adjuntada de 30 mm en la válvula de admisión (2). Extraer girando con cuidado la válvula de admisión.



Atención

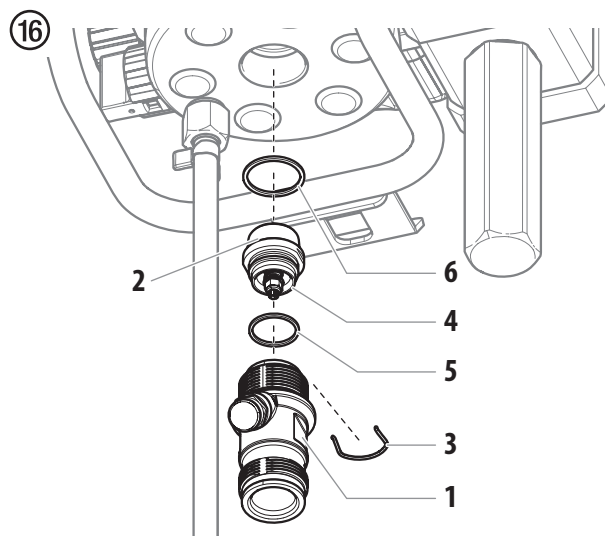
Nunca haga palanca para sacar la válvula o dañará la carcasa.

6. Limpiar el asiento de válvula (4) con agente limpiador y pincel (prestar atención a que no queden pelos de pincel).

7. Limpiar las juntas (5, 6) y comprobar los daños, cambiarlas eventualmente.
8. Controlar los desperfectos de todas las partes de válvula. En caso de desgaste visible, sustituir la válvula de admisión.

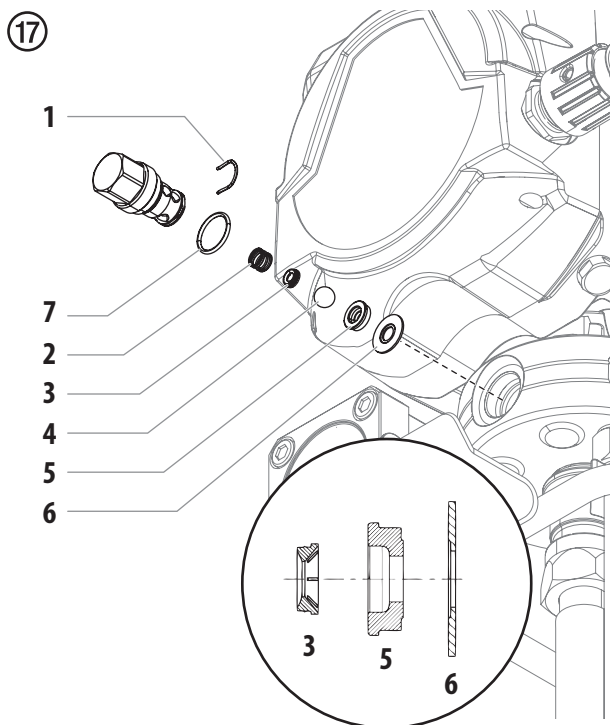
MONTAJE

1. Colocar la válvula de admisión (2) en la caja del pulsador (1) y asegurarla con la horquilla (3). Cuidar de que la junta (negra) (5) esté montada en la caja del pulsador.
2. Atornillar la unidad de la caja del pulsador y la válvula de admisión en la zona de pintura. La misma junta (negra) (6) debe estar montada en la zona de pintura.
3. Apretar la caja del pulsador con llave de 30 mm y afianzarla dando tres ligeros golpes de martillo en el extremo de la llave (equivale aprox. aun par de apriete de 90 Nm).



2.3 VÁLVULA DE ESCAPE

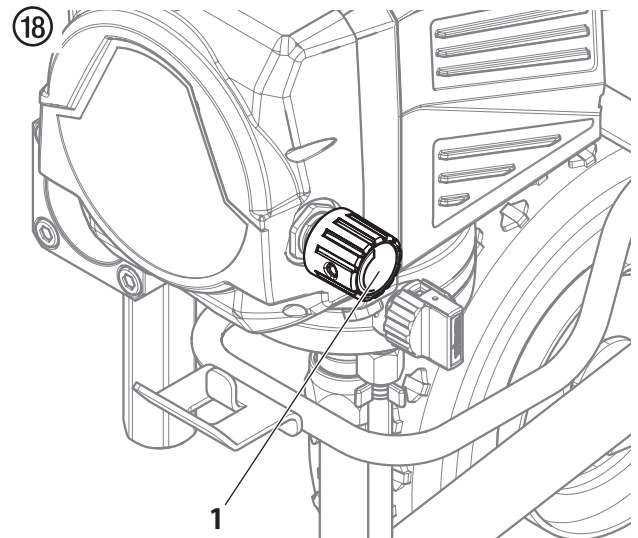
1. Desenroscar la válvula de escape con la llave de 22 mm fuera de la zona de pintura.
2. Extraer con cuidado la horquilla (Fig. 17, pos. 1) con el atornillador, el resorte de presión (2) presiona fuera la bola (4) y el encaje de válvula (5).
3. Limpiar o sustituir las piezas sueltas.
4. Comprobar el deterioro del anillo toroidal (7).
5. Prestar atención a la posición de montaje al montar el anillo de seguridad elástico (3) (se asegura con clip en el resorte de presión (2)), el asiento de válvula de admisión (5) y el anillo junta (6), -> véase ilustración.
6. Apretar la válvula de escape a 50 Nm.



2.4 VÁLVULA REGULADORA DE PRESIÓN



Disponer el cambio de la válvula reguladora de presión (1) sólo a través del servicio posventa. La presión de servicio máxima será ajustada de nuevo por el servicio posventa.



2.5 CONSUMIBLES TÍPICOS

Pese a que se utilizan materiales de alta calidad, el efecto fuertemente abrasivo de las pinturas hace inevitable el desgaste en las siguientes partes:

VÁLVULA DE ADMISIÓN

(pieza de recambio N° de ped.: 2411377)

Sustitución, véase punto 2.2

(Fallo perceptible por la pérdida de rendimiento y/o aspiración deficiente o ausente - una limpieza a fondo puede también conducir a una mejora.)

VÁLVULA DE ESCAPE

(pieza de recambio N° de ped.: 2413371)

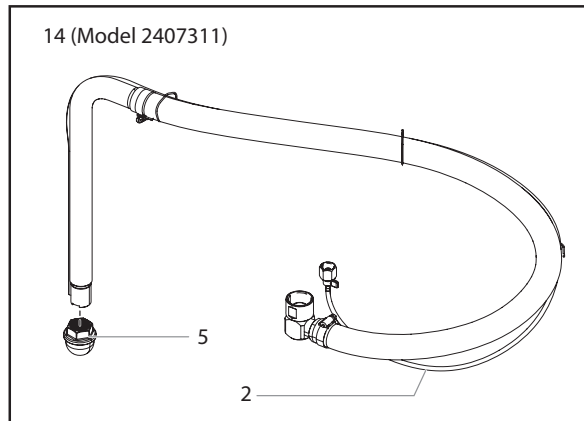
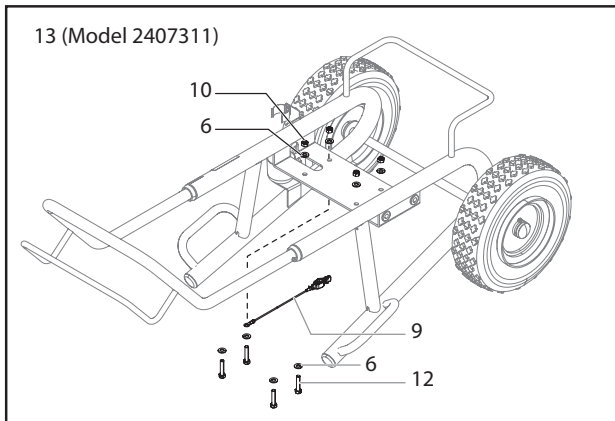
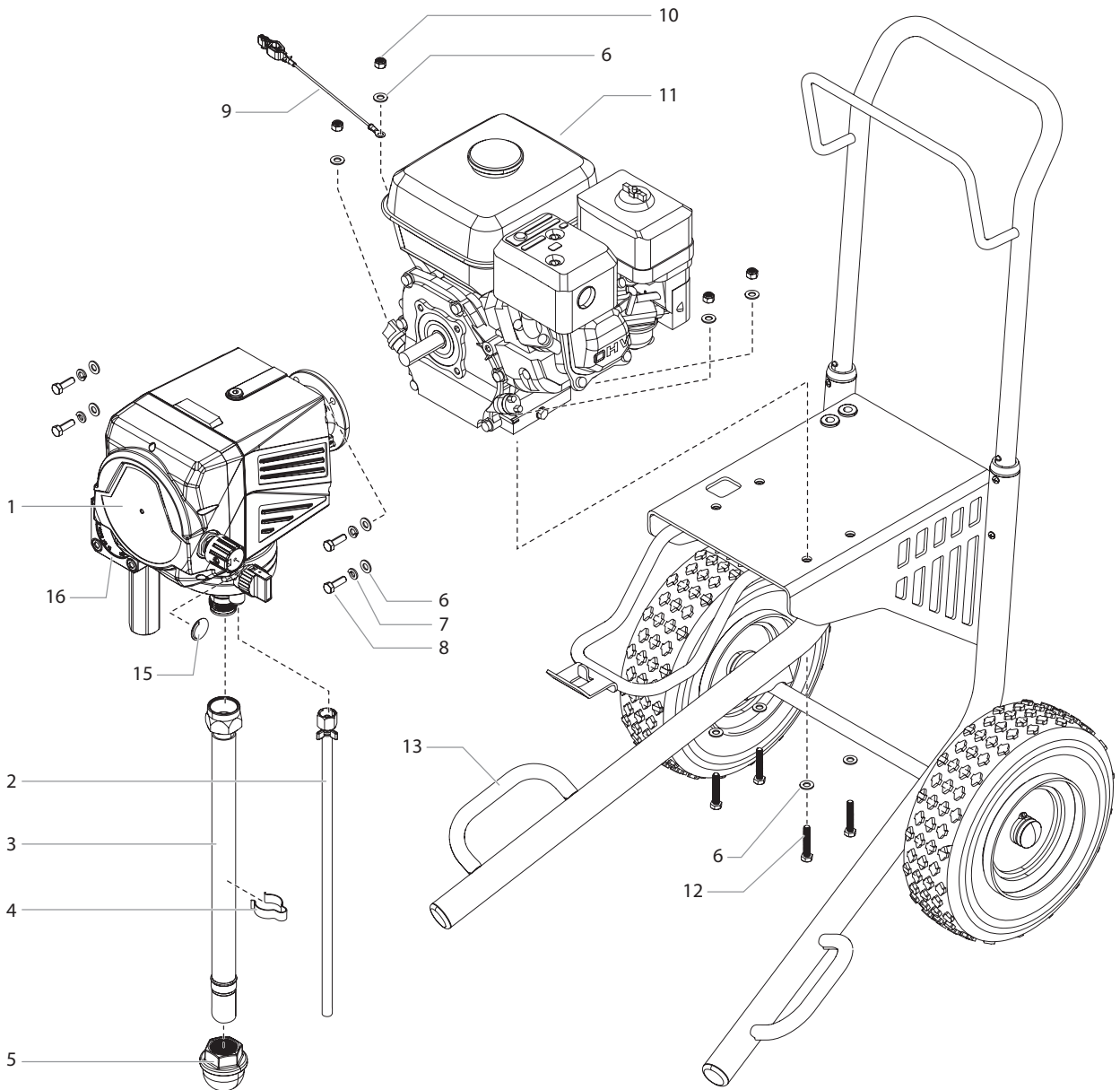
Sustitución, véase punto 2.3

CUADRO DE PIEZAS DE RECAMBIO

EN MAIN ASSEMBLY

F ENSEMBLE PRINCIPAL

ES CONJUNTO PRINCIPAL



Pos.	Model 2407310	Model 2407311	Description	Description	Descripción
1*	-----	-----	Pump assembly	Ensemble de pompe	Conjunto de bomba
2	537503	537243	Bleed hose assembly	Ensemble de tuyau de purge	Conjunto de manguera de purga
3	2421907	-----	Siphon tube	Tuyau-siphon	Tubo de sifón
4	730-334	-----	Clamp	Pince	Abrazadera
5	710-046	710-046	Inlet filter	Filtre d'entrée	Filtro de entrada
6	756-088	756-088	Washer (12)	Rondelle (12)	Arandela (12)
7	860-002	860-002	Lock washer (4)	Rondelle Grower (4)	Arandela de seguridad (4)
8	509538	509538	Screw (4)	Vis (4)	Tornillo (4)
9	236219	236219	Grounding wire	Fil de mise à la terre	Cable de conexión a tierra
10	9811122	9811122	Nut (4)	Écrou (4)	Tuerca (4)
11	980-331A	980-331A	Gas engine, Honda, 5.5 Hp	Moteur à essence, Honda, 5.5 HP	Motor de gasolina, Honda, 5,5 Hp
12	9811122	860-552	Screw (4)	Vis (4)	Tornillo (4)
13*	2403553A	2402006A	Cart assembly	Ensemble de chariot	Conjunto de carro
14*	-----	0537231A	Siphon assembly	Ensemble de siphon	Conjunto de sifón
15	2364469	2364469	Label, pressure control	Étiquette, contrôle de pression	Etiqueta, control de presión
16	2419184	2419184	Pulsation dampener with filter assembly	Ensemble de filtre	Conjunto de filtro
	2411923	2411923	Front cover label	Étiquette, couverture	Etiqueta, portada
	537727	537727	Relief valve label	Étiquette, soupape de décharge	Etiqueta, válvula de alivio

* See separate listing / voir la liste de pièces distincte / consulte la lista separada

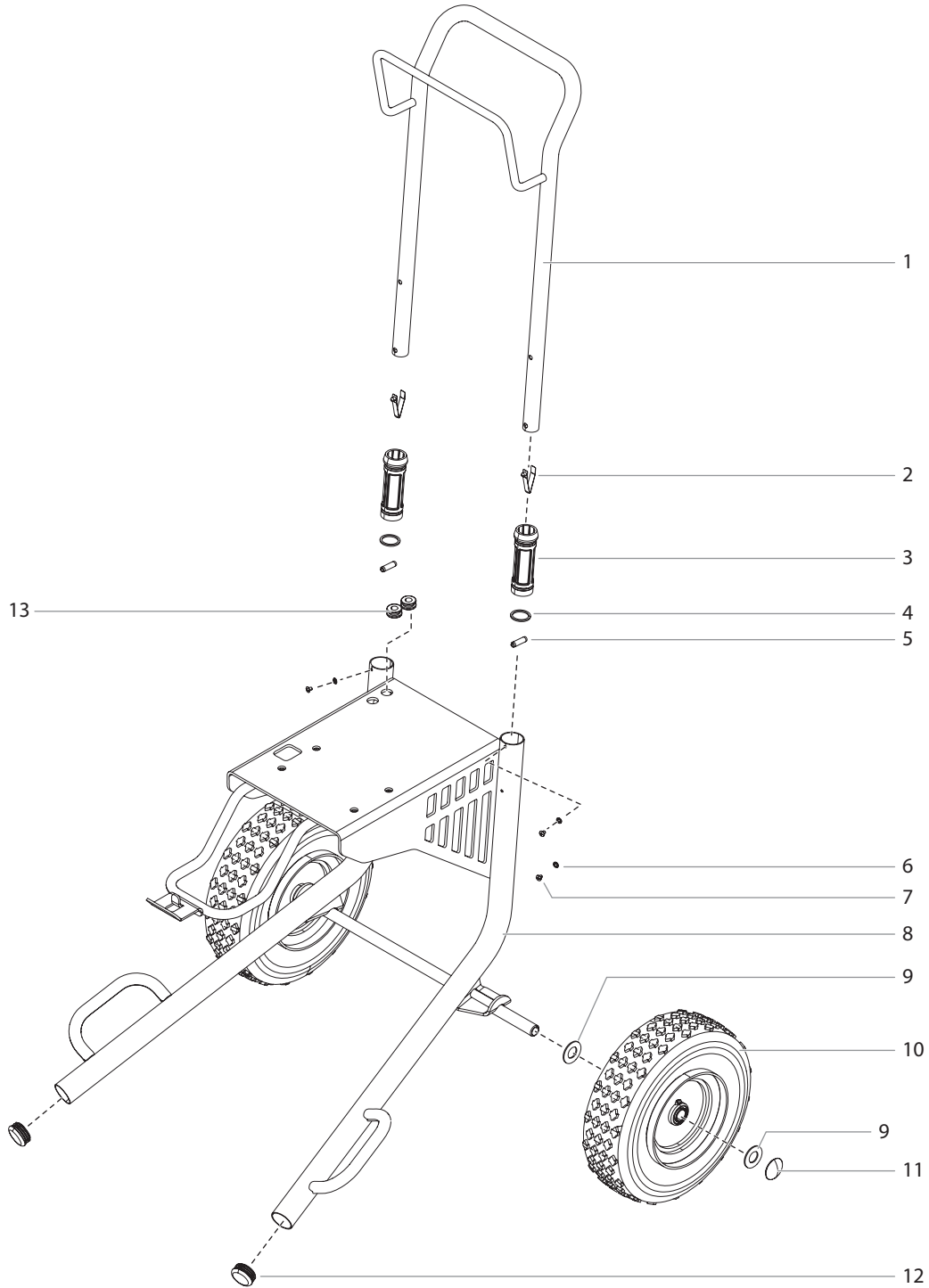
CUADRO DE PIEZAS DE RECAMBIO

EN CART ASSEMBLY

ES CARRO

F ENSEMBLE DE CHARIOT

MODEL 2407310



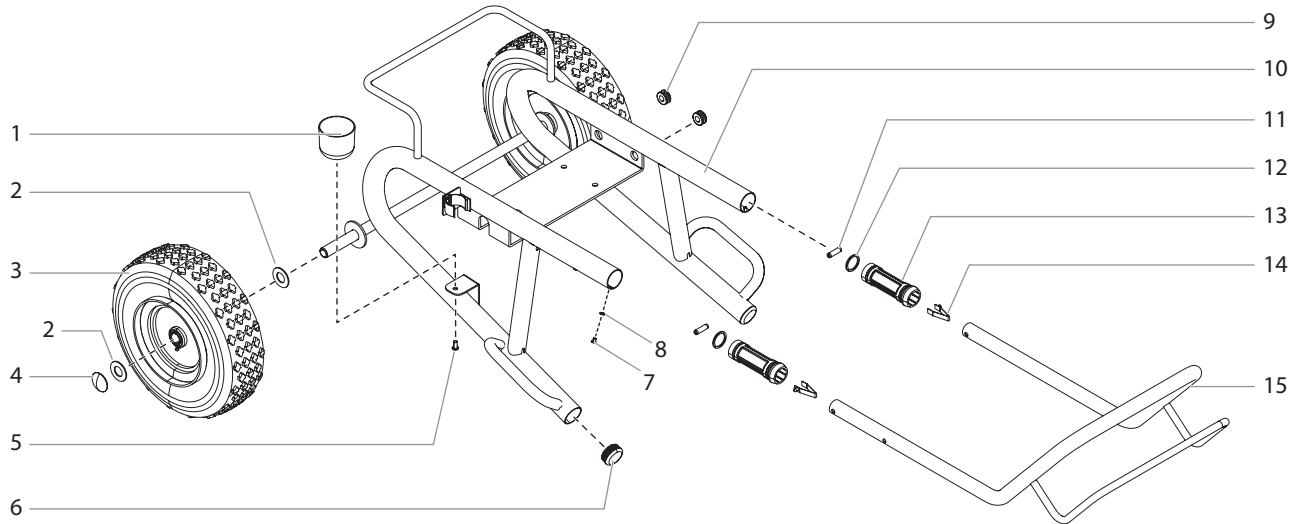
Pos.	Model 2407310	Description	Description	Descripción
1	0537215A	Handle	Poignée	Manilla
2	9841504	Snap button (2)	Bouton-pression (2)	Botón de resorte (2)
3	590-504	Sleeve (2)	Manchon (2)	Manguito (2)
4	590-506	Washer (2)	Rondelle (2)	Arandela (2)
5	590-508	Roll pin (2)	Goupille élastique (2)	Pivote de rodillo (2)
6	856-002	Washer (4)	Rondelle (4)	Arandela (4)
7	856-921	Screw (4)	Vis (4)	Tornillo (4)
8	2403431A	Frame	Châssis	Armazón
9	295687	Washer (4)	Rondelle (4)	Arandela (4)
10	670-109	Wheel (2)	Roue (2)	Rueda (2)
11	800-019	Wheel cap (2)	Chapeau de roue (2)	Tapa de la rueda (2)
12	9885571	Plug (2)	Bouchon (2)	Enchufe (2)
13	800-036	Grommit (2)	Anneau (2)	Prensaestopas (2)
	2403553A	Cart assembly (includes items 1-13)	Ensemble de chariot (comprend les articles 1-13)	Conjunto de carro (incluye los elementos 1 a 13)

CUADRO DE PIEZAS DE RECAMBIO

EN CART ASSEMBLY
ES CARRO

F ENSEMBLE DE CHARIOT

MODEL 2407311

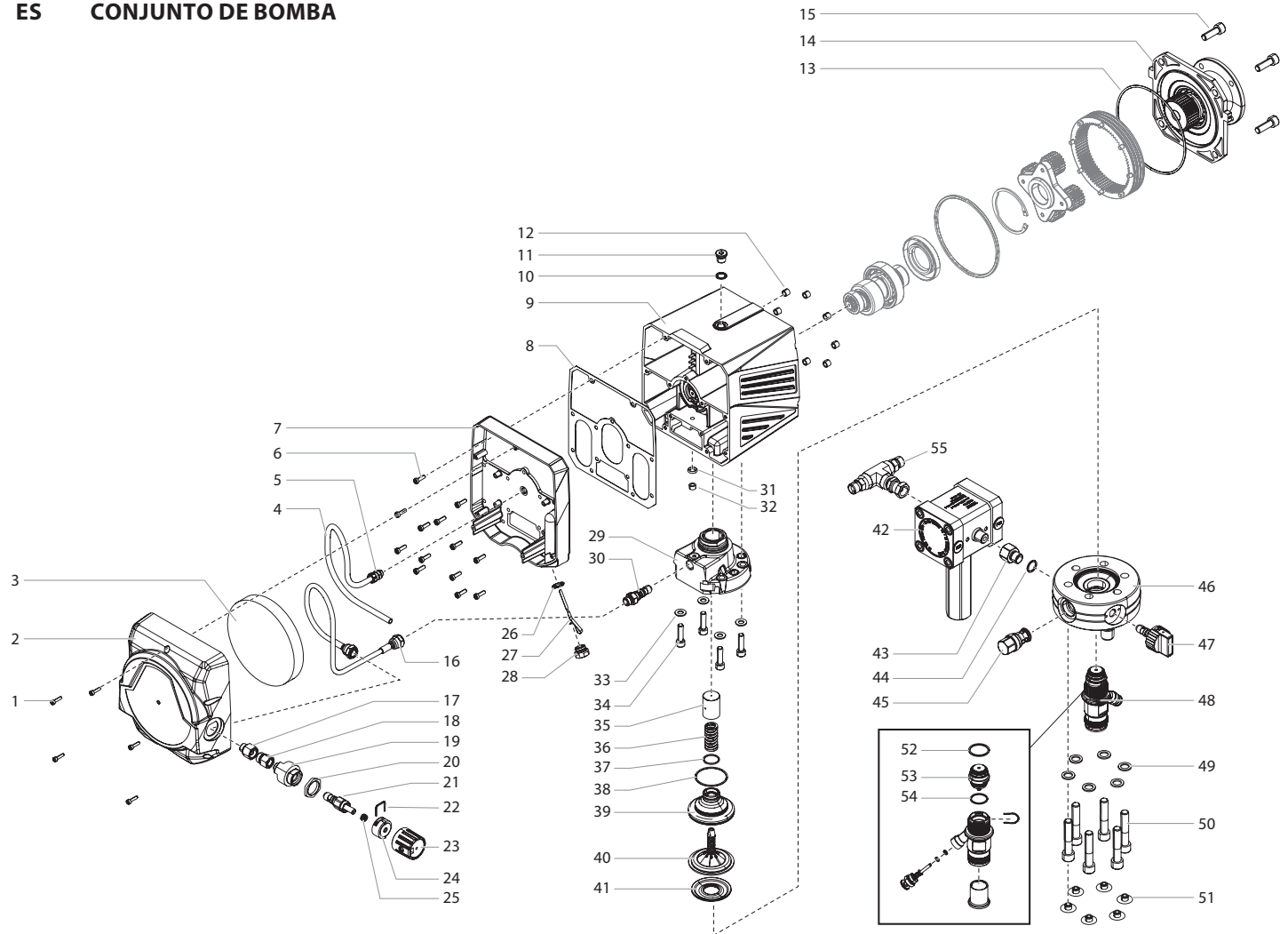


Pos.	Model 2407311	Description	Description	Descripción
1	700-1041	Drip cup	Cuvette d'égouttage	Depósito de goteo
2	856-002	Washer (4)	Rondelle (4)	Arandela (4)
3	295687	Wheel (2)	Roue (2)	Rueda (2)
4	800-019	Wheel cap (2)	Chapeau de roue (2)	Tapa de la rueda (2)
5	9805230	Screw	Vis	Tornillo
6	9885571	Plug (2)	Bouchon (2)	Enchufe (2)
7	856-921	Screw (4)	Vis (4)	Tornillo (4)
8	856-002	Washer (4)	Rondelle (4)	Arandela (4)
9	800-036	Grommit (2)	Anneau (2)	Prensaestopas (2)
10	2402005A	Frame	Châssis	Armazón
11	590-508	Roll pin (2)	Goupille élastique (2)	Pivote de rodillo (2)
12	590-506	Washer (2)	Rondelle (2)	Arandela (2)
13	590-504	Sleeve (2)	Manchon (2)	Manguito (2)
14	9841504	Snap button (2)	Bouton-pression (2)	Botón de resorte (2)
15	0537216A	Handle	Poignée	Manilla
	2402006A	Cart assembly (includes items 1-15)	Ensemble de chariot (comprend les articles 1-15)	Conjunto de carro (incluye los elementos 1 a 15)

CUADRO DE PIEZAS DE RECAMBIO

EN PUMP ASSEMBLY
 ES CONJUNTO DE BOMBA

F ENSEMBLE DE POMPE



Pos.	Elite 4500	Description	Description	Descripción
1	9900308	Screw (5)	Vis (5)	Tornillo (5)
2	2423844	Front cover with label	Couvercle avant avec étiquette	Tapa delantera con etiqueta
3	2404992	Foam filter	Filtre	Filtro
4	2389777	Return tube	Tube de retour	Tubo de retorno
5	2400665	Fitting	Raccord	Conector
6	9902105	Screw (13)	Vis (13)	Tornillo (13)
7	2401092	Cover	Écran	Rejilla
8	2367485	Housing gasket	Joint de collecteur	Junta del múltiple
9	2389127	Housing, hydraulic, machined	Collecteur de pompe	Múltiple de la bomba
10	9970210	Seal	Joint d'étanchéité	Sello
11	9904307	Plug	Bouchon	Enchufe
12	2400178	Sleeve (8)	Manchon (8)	Manguito (8)
13	2368785	O-ring	Joint torique	Junta tórica
14	2410458	Flange assembly	Ensemble de collet	Conjunto de brida
15	9900301	Screw (4)	Vis (4)	Tornillo (4)
16	2389782	Hose	Tube	Tubo

Pos.	Elite 4500	Description	Description	Descripción
17	97201	Fitting	Raccord	Conector
18	34041	Fitting assembly	Raccord	Connector
19	2389410	Adapter	Adaptateur	Adaptador
20	3126242	Lock nut	Contre-écrou	Contratuercia
21	252294	Control valve assembly	Ensemble de régulateur	Conjunto de regulador
22	10858	Retaining clip	Pince	Abrazadera
23	341219	Pressure control knob	Bouton de commande de pression	Regulador de presión
24	10859	Stop sleeve	Manchon d'arrêt	Camisa de detención
25	10861	Pressure spring	Ressort de pression	Resorte de presión
26	9971146	O-ring	Joint d'étanchéité	Sello
27	2370128	Dip stick	Jauge	Varilla de nivel de aceite
28	341349	Plug	Bouchon	Enchufe
29	2401855	Pressure insert assembly	Écrou de pression	Inserto de presión
30	2389407	Fitting assembly	Raccord	Conector
31	3051678	O-ring	Joint torique	Junta tórica
32	2370116	Sleeve	Manchon	Manguito
33	9920102	Washer (4)	Rondelle (4)	Arandela (4)
34	9907079	Screw (4)	Vis (4)	Tornillo (4)
35	2401832	Piston	Piston	Pistón
36	34357	Compression spring	Ressort de compression	Resorte de compresión
37	2337803	O-ring (2)	Joint torique (2)	Junta tórica (2)
38	2368784	O-ring	Joint torique	Junta tórica
39	2416706	Pressure insert	Réservoir à pression	Recipiente a presión
40	2358925	Diaphragm assembly	Ensemble de diaphragme	Conjunto de diafragma
41	2401943	Inlet	Orifice d'entrée	Admisión
42*	2419184	Pulsation dampener with filter assembly	Ensemble de filtre	Conjunto de filtro
43	2399670	Fitting	Raccord	Conector
44	9970103	Seal (2)	Joint d'étanchéité (2)	Sello (2)
45	2413371	Outlet valve assembly	Ensemble de soupape de refoulement	Conjunto de válvula de salida
46	2395014	Paint head assembly with return tube fitting	Tête de pompe avec raccord de tube de retour	Cabezal de bomba con conector de tubo de retorno
47	169248	Relief valve assembly	Ensemble de soupape de sûreté	Conjunto de válvula de alivio
48*	2409743	Pusher stem assembly (includes items 52-54)	Ensemble de tige de poussée (comprend les articles 52-54)	Conjunto de vástago impulsor (incluye la elementos 52-54)
49	9920204	Washer (6)	Rondelle (6)	Arandela (6)
50	2359803	Screw (6)	Vis (6)	Tornillo (6)
51	9990535	Cap, protective (6)	Bouchon (6)	Enchufe (6)
52	341330	Seal	Joint d'étanchéité	Sello
53	2411377	Inlet valve (includes item 52-54)	Compartiment des soupape (inclut l'article 52-54)	Carcasa de la válvula (incluye elemento 52-54)
54	341331	Seal	Joint d'étanchéité	Sello
55	2424678	Dual-outlet ("Tee") adapter	Adaptateur à double sortie ("T")	Adaptador de doble salida ("T")
	2419852	Valve repair kit (includes item 45 and 52-54)	Trousse de réparation de soupape (comprend les articles 45 et 52-54)	Kit de reparación de la válvula (incluye las elementos 45 y 52-54)
	2419185	Diaphragm kit (includes items 40-41)	Trousse de diaphragme (comprend les articles 40-41)	Juego de membrana (incluye los elementos 40 a 41)
	2421643	Replacement pump assembly (not including pulsation dampener with filter assembly)	Ensemble de pompe (sans ensemble de filtre)	Conjunto de bomba (sin conjunto de filtro)

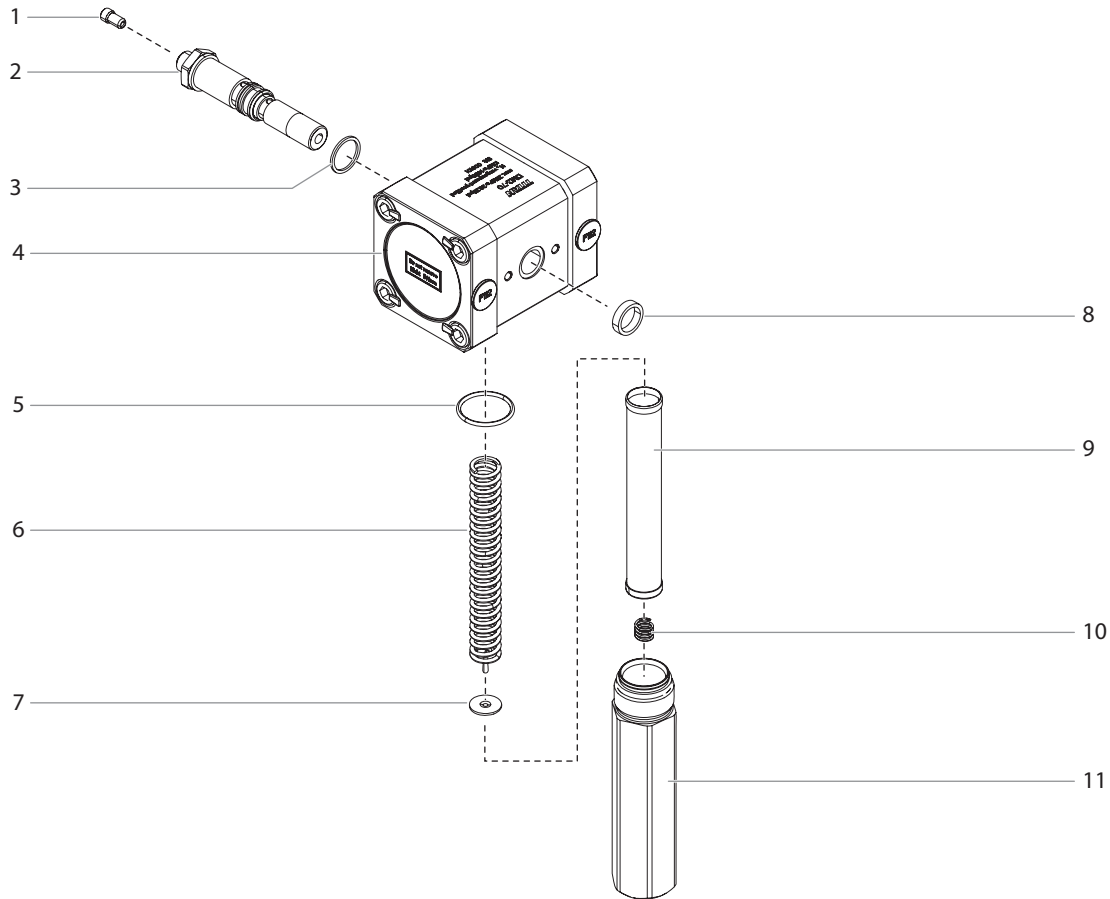
* See separate listing / voir la liste de pièces distincte / consulte la lista separada

CUADRO DE PIEZAS DE RECAMBIO

EN HIGH PRESSURE FILTER

F FILTRE À HAUTE PRESSION

ES FILTRO DE ALTA PRESIÓN

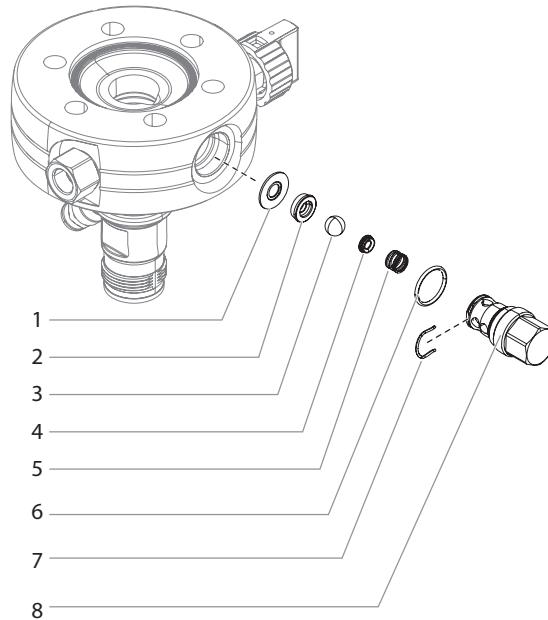


Pos.	Elite 4500	Description	Description	Descripción
1	2402215	Orifice, tip insert	Orifice	Orificio
2	2360658A	Fitting assembly	Assemblage del raccord	Ensamblaje del conector
3	9970110	Sealing ring	Rondelle	Arandela
4	2419184	Pulsation dampener (includes items 1-11)	Amortisseur de pulsations (includ les articles 1 à 11)	Amortiguador de pulsación (incluye elementos 1 a 11)
5	9974027	O-ring	Joint torique	Junta tórica
6	757-105	Filter support spring	Ressort de support du filtre	Resorte de soporte del filtro
7	702-251	Filter adapter	Élément filtrant	Inserto de filtro
8	0097304	Washer	Rondelle	Arandela
9	730-067	Filter	Filtre	Filtro
10	9994245	Spring	Ressort	Resorte
11	0097302	Filter housing	Boîtier du filtre	Carcasa del filtro

EN OUTLET VALVE ASSEMBLY

F ENSEMBLE DE SOUPE DE REFOULEMENT

ES CONJUNTO DE VÁLVULA DE SALIDA

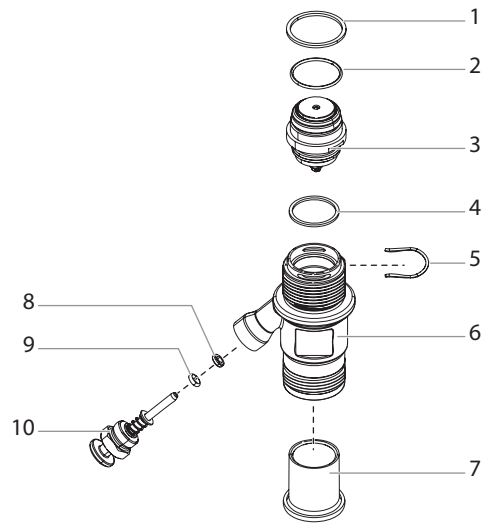


Pos.	Elite 4500	Description	Description	Descripción
1	341347	Seal	Joint d'étanchéité	Sello
2	341327	Outlet valve seat	Siège de soupape de sortie	Asiento de la válvula de salida
3	9941501	Outlet valve ball	Bille de soupape de sortie	Bola de la válvula de salida
4	253405	Spring support ring	Bague de soutien du support	Anillo de soporte del resorte
5	341326	Compression spring	Ressort de compression	Resorte de compresión
6	9971470	O-ring	Joint torique	Junta tórica
7	341328	Clip	Clip	Sujetador
8	2342943	Outlet valve housing	Boîtier de la soupape de sortie	Carcasa de la válvula de salida
	2413371	Outlet valve assembly (includes items 1-8)	Ensemble de soupape de refoulement (includ les articles 1 à 8)	Conjunto de válvula de salida (incluye elementos 1 a 8)

CUADRO DE PIEZAS DE RECAMBIO

EN INLET VALVE BODY ASSEMBLY
 ES CONJUNTO DE VÁLVULA DE ADMISIÓN

F ENSEMBLE DE SOUPE D'ENTRÉE



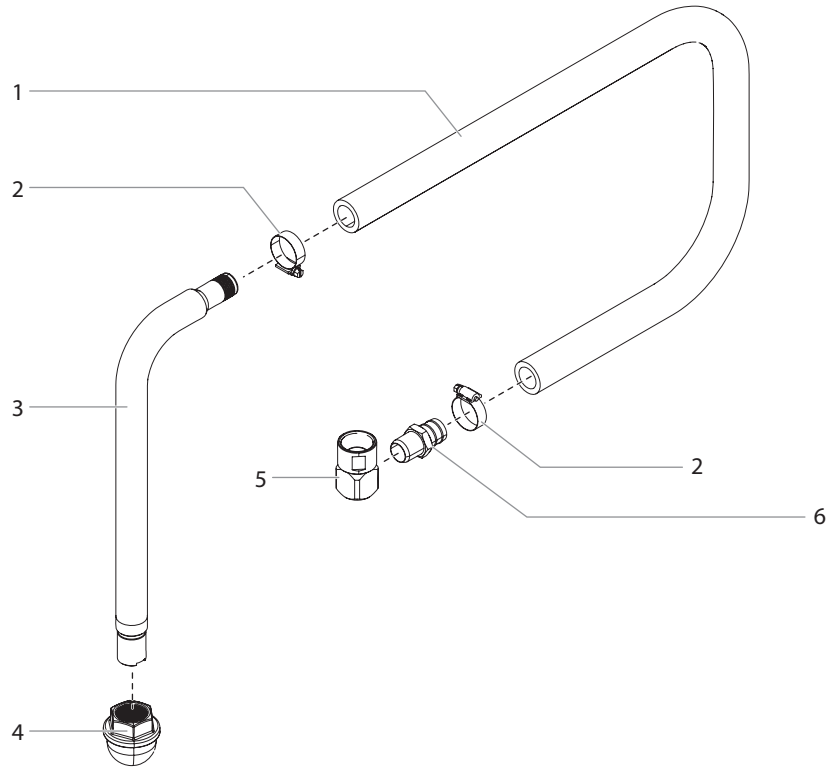
Pos.	Elite 4500	Description	Description	Descripción
1	341330	Seal	Joint d'étanchéité	Sello
2	9974028	O-ring	Joint torique	Junta tórica
3	2411377	Inlet valve (includes items 1-4)	Compartiment des soupapes (inclut l'article 1-4)	Carcasa de la válvula (incluye elemento 1-4)
4	341331	Seal	Joint d'étanchéité	Sello
5	341336	Clip	Agrafe	Sujetador
6	252279	Inlet housing	Carter d'entrée	Carcasa de entrada
7	340339	Inlet sleeve	Orifice d'entrée	Admisión
8	341316	Wiper	Protecteur d'étanchéité	Protector de sellado
9	9971486	O-ring	Joint torique	Junta tórica
10	341241	Inlet valve pusher assembly (includes item 8-10)	Ensemble de pousseur de la soupape d'admission (inclut l'article 8-10)	Conjunto de impulsor de válvula de entrada (incluye elemento 8-10)

EN SIPHON HOSE ASSEMBLY

F ASSEMBLAGE DU TUYAU DE SIPHON

ES CONJUNTO DE LA MANGUERA DE SIFÓN

MODEL 2407311



Pos.	Model 2407311	Description	Description	Descripción
1	533906	Siphon hose	Tuyau-siphon	Manguera de sifón
2	103-679	Clamp (2)	Clamp (2)	Abrazadera (2)
3	730-332	Down tube	Tube diagonal	Tubo de bajada
4	710-046	Inlet screen	Crépine d'entrée	Rejilla de entrada
5	537918	Suction set adapter	Adaptateur de tuyau-siphon	Adaptador de manguera de sifón
6	194-761	Adapter	Adaptateur	Adaptador

PART NO.	DESCRIPTION	DESCRIPTION	DESCRIPCIÓN
SPRAY GUNS		PISTOLETS DE PULVÉRISATION	PISTOLAS PULVERIZADORAS
0538005	RX-80™ with TR ¹ 517 Tip	RX-80™ avec buse TR ¹ 517	RX-80™ con boquilla TR ¹ 517
0538020	RX-Pro® with TR ¹ 517 Tip	RX-Pro® avec buse TR ¹ 517	RX-Pro® con boquilla TR ¹ 517
0550060	S-3 spray gun	Pistolet de pulvérisation S-3	Pistola pulverizadora S-3
0538070	RX-Apex™ (no filter) with TR ¹ 517 Tip	RX-Apex™ (sans filtre) avec buse TR ¹ 517	RX-Apex™ (sin filtro) con boquilla TR ¹ 517
0538075	RX-Apex™ (filter) with TR ¹ 517 Tip	RX-Apex™ (filtre) avec buse TR ¹ 517	RX-Apex™ (filtro) con boquilla TR ¹ 517
0289013	M-4 spray gun	Pistolet de pulvérisation M-4	Pistola pulverizadora M-4
0538217	RX-Pro®, small grip	RX-Pro®, petite poignée	RX-Pro®, agarre pequeño
0538218	RX-Pro®, medium grip	RX-Pro®, moyenne poignée	RX-Pro®, agarre mediano
0538219	RX-Pro®, large grip	RX-Pro®, grande poignée	RX-Pro®, agarre grande
SPRAY TIPS AND ACCESSORIES		BUSES D'AIR ET ACCESSOIRES	BOQUILLAS Y ACCESORIOS
662-XXX	SC-6+ Tip*	Buse SC-6+*	Boquilla SC-6+*
695-XXX	TR ¹ Tip*	Buse TR ¹ *	Boquilla TR ¹ *
330-XXX	TR ¹ HEA Tip*	Buse TR ¹ HEA*	Boquilla TR ¹ HEA*
671-XXX	Fine Finish Tip*	Buse Fine Finish*	Boquilla Fine Finish*
0289228	No Build Tip Guard	Protecteur de buse sans accumulation	Protección de la boquilla contra la acumulación de residuos
0538029	Tip Swivel	Pivot de buse	Dispositivo giratorio de la boquilla
661-020	Tip seat and seal kit (5 pack)	Siège de buse et trousse d'étanchéité (qte. de 5)	Kit de boquillas con asiento y sello (paq. de 5)
FILTERS		FILTRES	FILTROS
0089957	Coarse Mesh Filter (Green)	Filtre de maille grossier (vert)	Filtro de malla gruesa (verde)
0089958	Medium Mesh Filter (White)	Filtre de maille moyen (blanc)	Filtro de malla media (blanco)
0089959	Fine Mesh Filter (Yellow)	Filtre de maille fin (jaune)	Filtro de malla delgada (amarillo)
0089960	Extra Fine Mesh Filter (Red)	Filtre de maille extra-fin (rouge)	Filtro de malla extra fina (rojo)
730-067	Filter insert 60 mesh	Élément filtrant 60 mailles	Cartucho filtrante 60 mallas
730-067-10	Filter insert 100 mesh	Élément filtrant 100 mailles	Cartucho filtrante 100 mallas
730-067-30	Filter insert 30 mesh	Élément filtrant 30 mailles	Cartucho filtrante 30 mallas
EXTENSIONS		RALLONGES	EXTENSIONES
651-070	6" Tip Extension	Rallonge de buse de 15 cm	Extensión de boquilla de 15 cm
651-071	12" Tip Extension	Rallonge de buse de 30 cm	Extensión de boquilla de 30 cm
651-072	18" Tip Extension	Rallonge de buse de 45 cm	Extensión de boquilla de 45 cm
651-073	24" Tip Extension	Rallonge de buse de 60 cm	Extensión de boquilla de 60 cm
310-390	3' Extension Pole with swivel	Tige rallonge de 1 mètre avec pivot	Alargadera de extensión de 1 m con giratorio
310-391	6' Extension Pole with swivel	Tige rallonge de 2 mètres avec pivot	Alargadera de extensión de 2 m con giratorio
AIRLESS HOSE AND ACCESSORIES		TOYAU SANS AIR ET ACCESSOIRES	MANGUERAS Y ACCESORIOS SIN AIRE
316-505	1/4" x 50' Airless Hose	Tuyau sans air de 0,6 cm x 15 m	Manguera sin aire de 1/4" x 50'
0291006	3/8" x 50' Airless Hose	Tuyau sans air de 0,9 cm x 15 m	Manguera sin aire de 3/8" x 50'
316-506	3/16" x 5' Whip Hose	Tuyau flexible de 0,5 cm x 1,5 m	Conexión flexible de manguera de 3/16" x 5'
550063	1/4" x 1/4" hose connector	Raccord de tuyau de 0,6 cm x 0,6 cm	Conector de manguera de 1/4" x 1/4"
550064	1/4" x 3/8" hose connector	Raccord de tuyau de 0,6 cm x 0,9 cm	Conector de manguera de 1/4" x 3/8"
550066	3/8" x 3/8" hose connector	Raccord de tuyau de 0,9 cm x 0,9 cm	Conector de manguera de 3/8" x 3/8"
0508239	High Pressure Fluid Gauge	Jauge de liquide à haute pression	Medidor de líquido de alta presión
2404445	Inner Feed Roller™	Inner Feed Roller™	Inner Feed Roller™
2404013	Sprayroller™ with 3' pole	Sprayroller™ avec rallonge de 1 mètre	Sprayroller™ con extensión de 1 m
LUBRICANTS AND CLEANERS		LUBRIFIANTS ET NETTOYANTS	LUBRICANTES Y LIMPIADORES
314-482	Liquid Shield™, 1 Quart	Liquid Shield™, 946 ml	Liquid Shield™, 946 ml
314-480	Piston Lube™, 8 oz	Piston Lube™, 240 ml	Piston Lube™, 240 ml
700-926	Piston Lube™, 1 Quart	Piston Lube™, 946 ml	Piston Lube™, 946 ml
0297055	Pump Shield™, 12 oz.	Pump Shield™, 355 ml	Pump Shield™, 355 ml
0508071	Paint Mate, 1 Quart	Paint Mate, 946 ml	Paint Mate, 946 ml
*	Go to www.titantool.com for tip sizes	Visitez www.titantool.com pour la pointe des buse de pulvérisation	Visitar www.titantool.com de tamaño de las boquillas de pulverización

WARRANTY

Titan Tool, Inc., ("Titan") warrants that at the time of delivery to the original purchaser for use ("End User"), the equipment covered by this warranty is free from defects in material and workmanship. With the exception of any special, limited, or extended warranty published by Titan, Titan's obligation under this warranty is limited to replacing or repairing without charge those parts which, to Titan's reasonable satisfaction, are shown to be defective within twelve (12) months after sale to the End User. This warranty applies only when the unit is installed and operated in accordance with the recommendations and instructions of Titan.

This warranty does not apply in the case of damage or wear caused by abrasion, corrosion or misuse, negligence, accident, faulty installation, substitution of non-Titan component parts, or tampering with the unit in a manner to impair normal operation.

Defective parts are to be returned to an authorized Titan sales/service outlet. All transportation charges, including return to the factory, if necessary, are to be borne and prepaid by the End User. Repaired or replaced equipment will be returned to the End User transportation prepaid.

THERE IS NO OTHER EXPRESS WARRANTY. TITAN HEREBY DISCLAIMS ANY AND ALL IMPLIED WARRANTIES INCLUDING, BUT NOT LIMITED TO, THOSE OF MERCHANTABILITY AND FITNESS FOR A PARTICULAR PURPOSE, TO THE EXTENT PERMITTED BY LAW. THE DURATION OF ANY IMPLIED WARRANTIES WHICH CANNOT BE DISCLAIMED IS LIMITED TO THE TIME PERIOD SPECIFIED IN THE EXPRESS WARRANTY. IN NO CASE SHALL TITAN LIABILITY EXCEED THE AMOUNT OF THE PURCHASE PRICE. LIABILITY FOR CONSEQUENTIAL, INCIDENTAL OR SPECIAL DAMAGES UNDER ANY AND ALL WARRANTIES IS EXCLUDED TO THE EXTENT PERMITTED BY LAW.

TITAN MAKES NO WARRANTY AND DISCLAIMS ALL IMPLIED WARRANTIES OF MERCHANTABILITY AND FITNESS FOR A PARTICULAR PURPOSE WITH RESPECT TO ACCESSORIES, EQUIPMENT, MATERIALS OR COMPONENTS SOLD BUT NOT MANUFACTURED BY TITAN. THOSE ITEMS SOLD, BUT NOT MANUFACTURED BY TITAN (SUCH AS GAS ENGINES, SWITCHES, HOSES, ETC.) ARE SUBJECT TO THE WARRANTY, IF ANY, OF THEIR MANUFACTURER. TITAN WILL PROVIDE THE PURCHASER WITH REASONABLE ASSISTANCE IN MAKING ANY CLAIM FOR BREACH OF THESE WARRANTIES.

GARANTIE

Titan Tool, Inc. ("Titan") garantit qu'au moment de la livraison à l'acheteur initial ("Utilisateur"), l'appareil couvert par la présente garantie sera exempt de défauts de matériaux et de fabrication. Exception faite de toute garantie particulière ou limitée et de toute extension de garantie publiées par Titan, la responsabilité de celui-ci se limite, en vertu de la présente garantie, au remplacement ou à la réparation sans frais des pièces dont le caractère défectueux aura été démontré de manière satisfaisante pour Titan, dans un délai de douze (12) mois après la date d'achat par l'Utilisateur. Cette garantie ne sera applicable que si l'appareil a été installé et utilisé conformément aux recommandations et directives de Titan.

Cette garantie ne sera pas applicable dans les cas d'endommagement ou d'usure dus à l'abrasion, la corrosion, un mauvais usage, la négligence, un accident, une installation incorrecte, un remplacement par des composants non fournis par Titan ou toute autre intervention non autorisée de nature à nuire au fonctionnement normal de l'appareil.

Les pièces défectueuses devront être envoyées à un centre de service / vente Titan autorisé. Les frais de transport couvrant y compris le retour à l'usine, seront, le cas échéant, prépayés par l'Utilisateur. Après réparation ou remplacement, les pièces seront renvoyées à ce dernier par transport prépayé.

AUCUNE AUTRE GARANTIE EXPRESSE N'EST ACCORDÉE. TITAN REJETTE TOUTE AUTRE GARANTIE IMPLICITE Y COMPRIS, NOTAMMENT, LES GARANTIES DE QUALITÉ MARCHANDE ET DE COMPATIBILITÉ AVEC UN USAGE PARTICULIER, DANS LES LIMITES PERMISES PAR LA LOI.

LA DURÉE DES GARANTIES IMPLICITES NE POUVANT FAIRE L'OBJET D'UNE RENONCIATION SE LIMITE À LA PÉRIODE INDIQUÉE DANS LA GARANTIE EXPRESSE.

LA RESPONSABILITÉ DE TITAN NE SAURAIT EN AUCUN CAS ÊTRE ENGAGÉE POUR UN MONTANT SUPÉRIEUR À CELUI DU PRIX D'ACHAT. TITAN EXCLUT TOUTE RESPONSABILITÉ RELATIVE AUX DOMMAGES INDIRECTS, ACCESSOIRES OU PARTICULIERS, DANS LES LIMITES PRÉVUES PAR LA LOI.

TITAN NE DONNE AUCUNE GARANTIE ET DÉCLINE TOUTE GARANTIE IMPLICITE DE QUALITÉ MARCHANDE ET DE COMPATIBILITÉ AVEC UN USAGE PARTICULIER EN CE QUI CONCERNE LES ACCESSOIRES, L'APPAREIL, LES MATÉRIAUX OU LES COMPOSANTS VENDUS MAIS NON FABRIQUÉS PAR TITAN. CES DERNIERS ÉLÉMENTS, VENDUS MAIS NON FABRIQUÉS PAR TITAN (MOTEURS À ESSENCE, COMMULATEURS, FLEXIBLES, ETC.), SONT SOUMIS, LE CAS ÉCHÉANT, À LA GARANTIE DU FABRICANT. TITAN S'ENGAGE À PORTER ASSISTANCE AUX ACHETEURS, DANS LES LIMITES DU RAISONNABLE, POUR LA CONSTITUTION DE RÉCLAMATIONS RELATIVES AU NON RESPECT DE CES GARANTIES.

GARANTÍA

Titan Tool, Inc., ("Titan") garantiza que al momento de la entrega al comprador original para su uso ("Usuario Final") el equipo que se encuentra bajo la cobertura de esta garantía no presentará defectos de materiales ni de mano de obra. A excepción de cualquier garantía especial, limitada o extendida publicada por Titan, la obligación de Titan según esta garantía se limita al reemplazo o la reparación sin cargo de las piezas, las que según el criterio de Titan se presenten como defectuosas dentro de doce (12) meses después de la venta al Usuario Final. Esta garantía es aplicable sólo cuando la unidad se instala y se hace funcionar de acuerdo con las recomendaciones e instrucciones de Titan.

Esta garantía no se aplica en caso de daño o desgaste provocado por abrasión, corrosión, uso indebido, negligencia, accidente, instalación defectuosa, sustitución de piezas de componentes que no pertenezcan a Titan o la alteración de la unidad de alguna manera que impida su funcionamiento normal.

Las piezas defectuosas se deben devolver a una tienda de ventas/servicio técnico autorizada de Titan. Todos los cargos de transporte, incluido el regreso a la fábrica de ser necesario, deben ser costeados y pagados por adelantado por el Usuario Final. El equipo que se repare o reemplace se devolverá al Usuario Final con los gastos de envío pagados por adelantado.

NO EXISTE OTRA GARANTÍA EXPRESA. POR ESTE MEDIO TITAN NIEGA TODAS LAS GARANTÍAS IMPLÍCITAS, ENTRE LAS QUE SE INCLUYEN, AQUELLAS DE COMERCIABILIDAD Y APTITUD PARA UN FIN EN PARTICULAR DENTRO DE LO QUE PERMITA LA LEY. LA DURACIÓN DE CUALQUIER GARANTÍA IMPLÍCITA QUE NO SE PUEDA NEGAR SE LIMITA AL PERÍODO QUE SE ESPECIFIQUE EN LA GARANTÍA EXPRESA. LA RESPONSABILIDAD DE TITAN NO EXCEDERÁ EN NINGÚN CASO EL VALOR DE LA COMPRA. LA RESPONSABILIDAD POR DAÑOS ESPECIALES, INDIRECTOS O EMERGENTES SEGÚN CUALQUIERA Y TODAS LAS GARANTÍAS ESTÁ EXCLUIDA DENTRO DE LO QUE PERMITA LA LEY.

TITAN NO REALIZA NINGUNA GARANTÍA Y NIEGA TODAS LAS GARANTÍAS IMPLÍCITAS DE COMERCIABILIDAD Y APTITUD PARA UN FIN EN PARTICULAR EN RELACIÓN CON ACCESORIOS, EQUIPOS, MATERIALES O COMPONENTES QUE VENDA, PERO QUE NO FABRIQUE TITAN. ESTOS ARTÍCULOS QUE VENDA, PERO QUE NO FABRIQUE TITAN (TALES COMO MOTORES DE GAS, INTERRUPTORES, MANGUERAS, ETC.) ESTÁN SUJETOS A LA GARANTÍA, DE EXISTIR ALGUNA, DE SU FABRICANTE. TITAN PROPORCIONARÁ UNA ASISTENCIA RAZONABLE AL COMPRADOR PARA REALIZAR CUALQUIER RECLAMACIÓN POR EL INCUMPLIMIENTO DE ESTAS GARANTÍAS.

- EN -

Note on disposal:

In observance of the European Directive 2012/19/EU on waste electrical and electronic equipment and implementation in accordance with national law, this product is not to be disposed of together with household waste material but must be recycled in an environmentally friendly way!



Titan or one of our dealers will take back your used Titan waste electrical or electronic equipment and will dispose of it for you in an environmentally friendly way. Please ask your local Titan service centre or dealer for details or contact us direct.

- F -

Consignes d'élimination:

Selon la directive européenne 2012/19/UE sur l'élimination des vieux appareils électriques et sa conversion en droit national, ce produit ne peut pas être jeté dans les ordures ménagères, mais est à amener à un point de recyclage en vue d'une élimination dans le respect de l'environnement!



Titan, resp. nos représentations commerciales reprennent votre vieil appareil Titan pour l'éliminer dans le respect de l'environnement. Adressez-vous donc directement à nos points de service resp. représentations commerciales ou directement à nous.

EU Declaration of Conformity

We declare under sole responsibility that this product conforms to the following relevant stipulations:

2006/42/EC, 2011/65/EU

Applied harmonised norms:

EN ISO 12100:2010, EN 1953:2013

The EU declaration of conformity is enclosed with the product. If required, it can be re-ordered using order number **2427370**.

Déclaration de Conformité UE

Nous déclarons sous notre responsabilité que ce produit est en conformité avec les réglementations suivantes:

2006/42/CE, 2011/65/UE

Conforme aux normes et documents normalisés:

EN ISO 12100:2010, EN 1953:2013

La déclaration de conformité UE est jointe à ce produit. Elle peut être commandée au besoin sous le numéro de commande **2427370**.

- E -

Observación sobre la eliminación de residuos:

De acuerdo con la directriz europea 2012/19/UE referente a la eliminación de aparatos eléctricos usados y su puesta en la práctica en el derecho nacional, este producto no se deberá eliminar en la basura doméstica, sino que se deberá llevar a una planta de reciclaje ecológico!



Su aparato usado de Titan nos lo puede entregar a nosotros o a una de nuestras agencias comerciales, del resto nos ocupamos nosotros, es decir, de la eliminación ecológica de los residuos. Diríjase en este caso a uno de nuestros centros de asistencia técnica o a una de nuestras agencias comerciales o bien directamente a nosotros.

Declaración UE de Conformidad

Mediante la presente garantizamos, bajo nuestra exclusiva responsabilidad, que este producto cumple con las correspondientes disposiciones:

2006/42/CE, 2011/65/UE

Normas armonizadas aplicadas:

EN ISO 12100:2010, EN 1953:2013

El producto viene acompañado de la declaración UE de conformidad. Si lo necesita, puede pedirla adicionalmente por el número de pedido **2427370**.

UNITED STATES SALES & SERVICE

WEB: www.titantool.com

PHONE: 1-800-526-5362

1770 Fernbrook Lane

Minneapolis, MN 55447

INTERNATIONAL

WEB: www.titantool-international.com