



TITAN®

OPERATION MANUAL

- EN -	OPERATION MANUAL	2
- F -	MODE D'EMPLOI	12
- ES -	INSTRUCCIONES DE USO	22

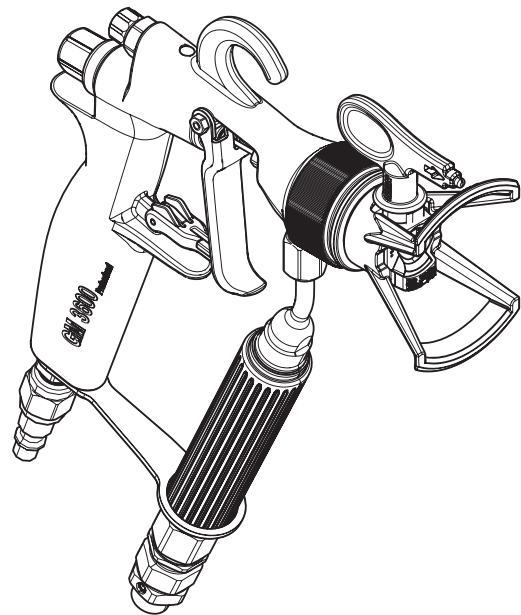
GM 3600™

AIR ASSISTED / AIRLESS
SPRAY GUN

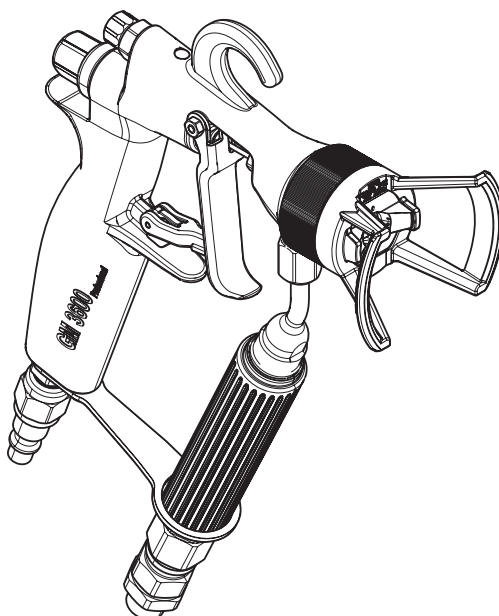
PISTOLET DE PNEUMATIQUE /
SANS AIR

PISTOLA PULVERIZADORA AIRE
ASISTADA / SIN AIR

MODEL 2404548



MODEL 2412194



MODELS:

2404548

2412194

1	SAFETY PRECAUTIONS	3
1.1	Explanation of symbols used	3
1.2	Safety hazards	3
2	INTRODUCTION	6
2.1	Technical data	6
3	PREPARATION	7
4	OPERATION	7
4.1	Adjusting the spray pattern	7
4.2	Cleaning / replacing the tip (model 2412194 only)	8
4.3	Unclogging the tip (model 2412194 only)	8
4.4	Cleaning / replacing the reversible tip (model 2404548 only)	9
4.5	Unclogging the reversible tip (model 2404548 only)	9
5	CLEANUP	10
5.1	Daily cleanup	10
6	MAINTENANCE	10
6.1	Cleaning / changing the filter	10
6.2	Filter chart	11
7	TROUBLESHOOTING	11
	SPARE PARTS LISTS	32
	Flat tip spray gun	32/33
	Reversible tip spray gun	34/35
	Flat tip chart	36
	Reversible airless spray tip	37
	WARRANTY	38

1 SAFETY PRECAUTIONS

1.1 EXPLANATION OF SYMBOLS USED

This manual contains information that must be read and understood before using the equipment. When you come to an area that has one of the following symbols, pay particular attention and make certain to heed the safeguard.



→ This symbol indicates a potential hazard that may cause serious injury or loss of life. Important safety information will follow.



Attention

→ This symbol indicates a potential hazard to you or to the equipment. Important information that tells how to prevent damage to the equipment or how to avoid causes of minor injuries will follow.



→ Danger of skin injection



→ Danger of fire from solvent and paint fumes



→ Danger of explosion from solvent, paint fumes and incompatible materials



→ Danger of injury from inhalation of harmful vapors



→ Notes give important information which should be given special attention.

1.2 SAFETY HAZARDS



WARNING: INJECTION INJURY

A high pressure stream produced by this equipment can pierce the skin and underlying tissues, leading to serious injury and possible amputation.

Do not treat a spraying injury as a harmless cut. In case of injury to the skin through coating materials or solvents, consult a doctor immediately for quick and expert treatment. Inform the doctor about the coating material or solvent used.

The maximum operating pressure of the spray gun is 3600 PSI / 24.8 MPa fluid pressure.

PREVENTION:

- NEVER aim the gun at any part of the body.
- Do not aim the gun at, or spray any person or animal.
- NEVER allow any part of the body to touch the fluid stream. DO NOT allow body to touch a leak in the fluid hose.
- NEVER put your hand in front of the gun. Gloves will not provide protection against an injection injury.
- ALWAYS lock the gun trigger, shut the pump off, and release all pressure before servicing, cleaning the tip or guard, changing tip, or leaving unattended. Pressure will not be released by turning off the motor. The PRIME/SPRAY valve or pressure bleed valve must be turned to their appropriate positions to relieve system pressure. Refer to the PRESSURE RELIEF PROCEDURE described in this manual.
- ALWAYS keep the tip guard in place while spraying. The tip guard provides some protection but is mainly a warning device.
- ALWAYS remove the spray tip before flushing or cleaning the system.
- Paint hose can develop leaks from wear, kinking and abuse. A leak can inject material into the skin. Inspect the hose before each use. Do not use hose to lift or pull equipment.
- NEVER use a spray gun without a working trigger lock and trigger guard in place.
- All accessories must be rated at or above 2800 PSI / 19 MPa. This includes spray tips, guns, extensions, and hose.
- Do not leave the unit energized or under pressure while unattended. When the unit is not in use, turn off the unit and relieve the pressure in accordance with the PRESSURE RELIEF PROCEDURE described in this manual.
- Verify that all connections are secure before operating the unit. Unsecured parts may eject at great force or leak a high pressure fluid stream causing severe injury.

- Always engage the trigger lock when not spraying. Verify the trigger lock is functioning properly.



NOTE TO PHYSICIAN: Injection into the skin is a traumatic injury which can lead to possible amputation. It is important to treat the injury as soon as possible. **DO NOT** delay treatment to research toxicity. Toxicity is a concern with some coatings injected directly into the blood stream. Consultation with a plastic surgeon or reconstructive hand surgeon may be advisable.



WARNING: HAZARDOUS VAPORS

Paints, solvents, and other materials can be harmful if inhaled or come in contact with body. Vapors can cause severe nausea, fainting, or poisoning.

PREVENTION:

- Wear respiratory protection when spraying. Read all instructions supplied with the mask to be sure it will provide the necessary protection.
- All local regulations regarding protection against hazardous vapors must be observed.
- Wear protective eyewear.
- Protective clothing, gloves and possibly skin protection cream are necessary for the protection of the skin. Observe the regulations of the manufacturer concerning coating materials, solvents and cleaning agents in preparation, processing and cleaning units.



WARNING: EXPLOSION OR FIRE

Flammable vapors, such as solvent and paint vapors, in work area can ignite or explode.



PREVENTION:

- Provide extensive exhaust and fresh air introduction to keep the air within the spray area free from accumulation of flammable vapors. Solvent and paint fumes can explode or ignite.
- Do not spray in a confined area.
- Avoid all ignition sources such as static electric sparks, open flames, pilot lights, electrical appliances, and hot objects. Connecting or disconnecting power cords or working light switches can make sparks. Paint or solvent flowing through the equipment is able to result in static electricity.
- Do not smoke in spray area.
- Fire extinguisher must be present and in good working order.
- Place pump at least 20 feet (6.1 meters) from the spray object in a well ventilated area (add more hose if necessary). Flammable vapors are often heavier than air. Floor area must be extremely well ventilated. The pump contains arcing parts that emit sparks and can ignite vapors.
- The equipment and objects in and around the spray area must be properly grounded to prevent static sparks.
- Keep area clean and free of paint or solvent containers, rags and other flammable materials.
- Use only conductive or grounded high pressure fluid hose. Gun must be grounded through hose connections.
- For electric units — power cord must be connected to a grounded circuit.
- Always flush unit into a separate metal container, at low pump pressure, with spray tip removed. Hold gun firmly against side of container to ground container and prevent static sparks.
- Follow the material and solvent manufacturer's warnings and instructions. Know the contents of the paints and solvents being sprayed. Read all Safety Data Sheets (SDS) and container labels provided with the paints and solvents. Follow the paint and solvent manufacturer's safety instructions.
- Use extreme caution when using materials with a flashpoint below 100°F (38°C). Flashpoint is the temperature that a fluid can produce enough vapors to ignite.
- Plastic can cause static sparks. Never hang plastic to enclose a spray area. Do not use plastic drop cloths when spraying flammable materials.

- Use lowest possible pressure to flush equipment.
- Do not spray onto pump assembly.



**WARNING: EXPLOSION HAZARD
DUE TO INCOMPATIBLE MATERIALS**

Will cause property damage or severe injury.

PREVENTION:

- Do not use materials containing bleach or chlorine.
- Do not use halogenated hydrocarbon solvents such as bleach, mildewcide, methylene chloride and 1,1,1 - trichloroethane. They are not compatible with aluminum.
- Contact your coating supplier about the compatibility of material with aluminum.



WARNING: GENERAL

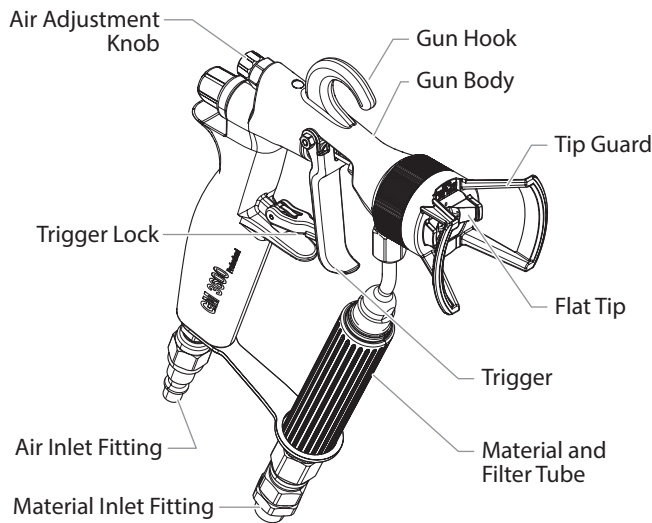
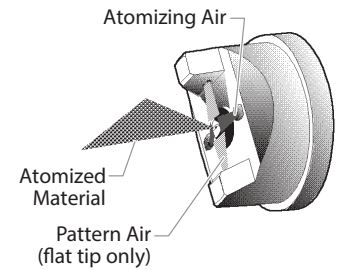
This product can cause severe injury or property damage.

PREVENTION:

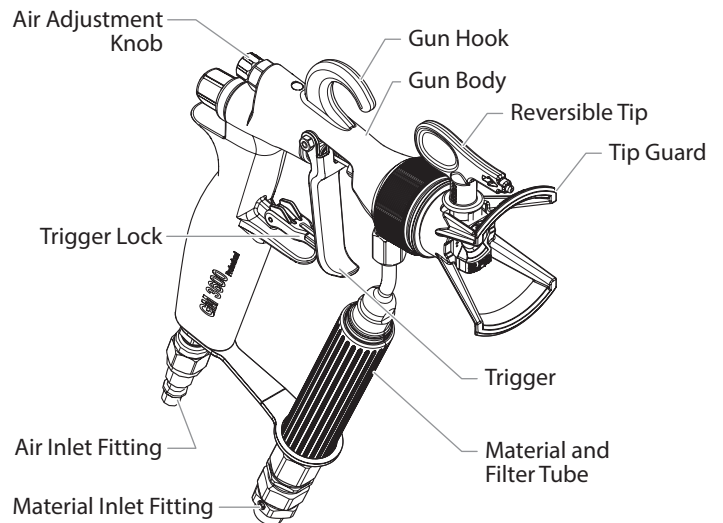
- Always wear appropriate gloves, eye protection, clothing and a respirator or mask when painting.
- Do not operate or spray near children. Keep children away from equipment at all times.
- Do not overreach or stand on an unstable support. Keep effective footing and balance at all times.
- Stay alert and watch what you are doing.
- Do not operate the unit when fatigued or under the influence of drugs or alcohol.
- Do not kink or over-bend the hose. Airless hose can develop leaks from wear, kinking and abuse. A leak can inject material into the skin.
- Do not expose the hose to temperatures or pressures in excess of those specified by manufacturer.
- Do not use the hose as a strength member to pull or lift the equipment.
- Use lowest possible pressure to flush equipment.
- Follow all appropriate local, state and national codes governing ventilation, fire prevention and operation.
- The United States Government Safety Standards have been adopted under the Occupational Safety and Health Act (OSHA). These standards, particularly part 1910 of the General Standards and part 1926 of the Construction Standards should be consulted.
- Before each use, check all hoses for cuts, leaks, abrasion or bulging of cover. Check for damage or movement of couplings. Immediately replace hose if any of those conditions exist. Never repair a paint hose. Replace with a conductive high-pressure hose.
- Do not spray outdoors on windy days.
- Always unplug cord from outlet before working on equipment (electric models only).

2 INTRODUCTION

In the air assisted/airless spraying process, the spraying material is atomized at pressures between 400 – 1800 PSI (3 – 12.4 MPa). The atomizing air at 7 – 32 PSI (0 – 0.22 MPa) produces a soft spray jet that eliminates problems of overlaps in the boundary zone. The soft spray jet prevents the spraying material from rebounding to the gun. The form air reduces or increases the spray jet width, depending on the adjustment of the air adjustment knob. Due to the cleaning-friendly design of the tip and the lack of air holes near the material outlet, the tip is virtually self-cleaning. When the trigger of the gun is pulled, the air valve opens allowing atomizing and fan jet air to flow up to the tip. The material valve opens only when the trigger is pulled to its fullest extent. The amount of air for the spray jet width is adjusted using the air adjustment knob. The air input should be adjusted at the source to approximately 0 – 32 PSI (0 – 0.22 MPa).



Model 2412194



Model 2404548

ADVANTAGES OF THE ADJUSTABLE AIR ASSISTED/ AIRLESS PROCESS:

- high coverage capability
- low overspray
- fine finish
- adjustability of spray pattern width

MATERIALS THAT CAN BE SPRAYED USING THIS GUN INCLUDE:

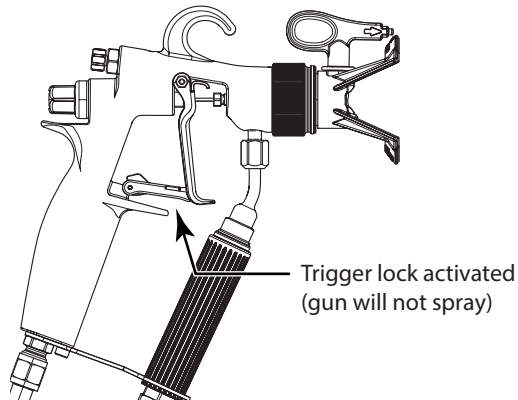
- Water, oil, and solvent based primers and topcoats
- Fine finishing enamels and automotive coatings
- Release agents

2.1 TECHNICAL DATA

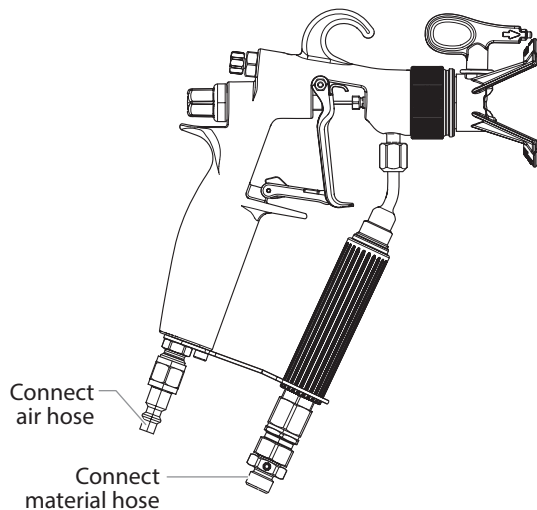
Maximum air input pressure	115 PSI (0.79 MPa)
Maximum working pressure	3600 PSI (24.8 MPa)
Air connector	QD Nipple
Material connector	NPSM 1/4"
Filter, standard	100 mesh (see chart on page 11 for available filter sizes)
Length	8.5" (216 mm)
Height	9.8" (250 mm)
Weight	1 lb. (420 g)
Reversible Tip Spray Gun	P/N 2404548
Flat Tip Spray Gun	P/N 2412194

3 PREPARATION

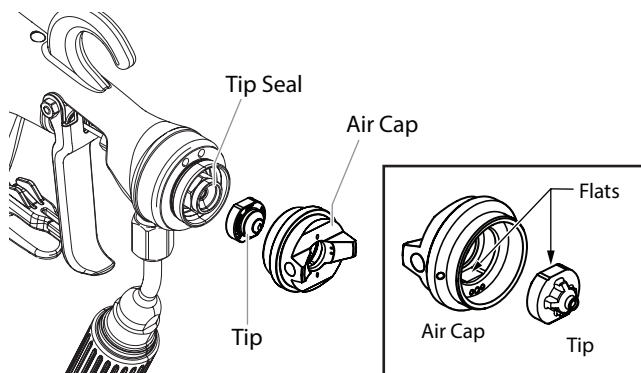
1. Make sure trigger lock is activated.



2. Connect one end of the material hose to the spray gun, and the other end to the pump.
3. Connect one end of the air hose to the spray gun, and the other end to the air supply.



4. **Model 2412194 only** - Place the tip into the tip seal. Fit the air cap over the tip, making sure that the location flats (inset) are in line.



5. Place the tip guard over the air cap and tighten.

4 OPERATION

1. Start up the spray unit (refer to the spray unit's Owner's Manual).
2. Adjust the material pressure at the pump to approximately 400 PSI (3 MPa).
3. Unlock the spray gun. Pull the trigger and increase the pump pressure until the spray pattern is acceptable.
4. Open the atomizing air at the external air regulator and adjust the air pressure to the best spray pattern (to a maximum of 32 PSI (0.22 MPa)). The form air may be adjusted using the air adjustment knob to the required spray jet width.



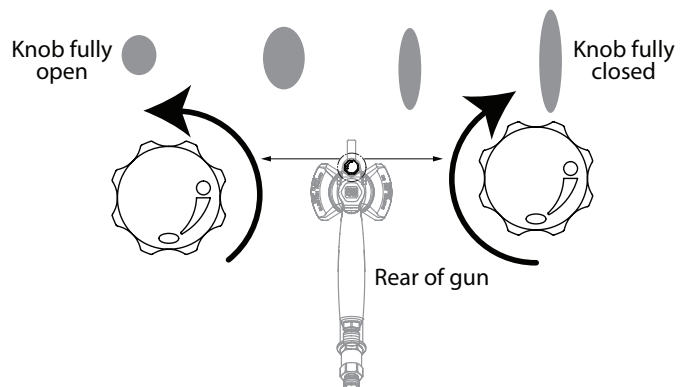
Attention

Do not turn the air adjustment knob using pliers. Over-tightening and damage to the gun may occur.



4.1 ADJUSTING THE SPRAY PATTERN



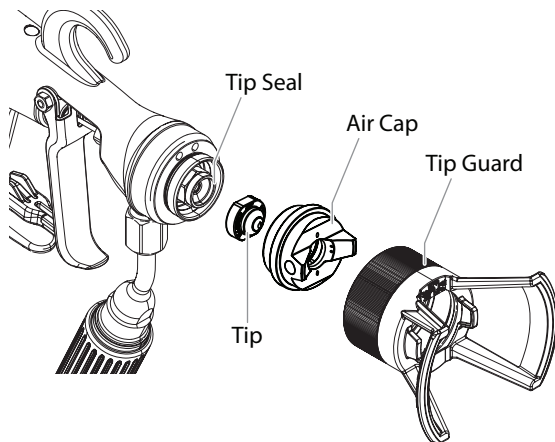
The spray pattern can be adjusted to suit the object being sprayed by using the air adjustment knob. The illustration below shows how the air adjustment knob can control the spray pattern. Other nozzle sizes can be used to obtain larger or smaller spraying patterns.



4.2 CLEANING / REPLACING THE TIP (MODEL 2412194 ONLY)

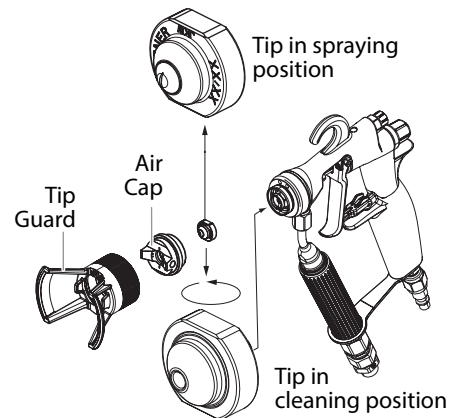
	If your spray pattern becomes distorted or is inadequate, you may need to clean or replace the tip or air cap.
 Attention	Do not use any sharp, metal objects when cleaning the tip.

1. Relieve spray gun and unit pressure.
2. Lock the spray gun by activating the trigger lock.
3. Remove tip guard.
4. Press the tip out of the air cap by hand. Clean with appropriate cleaning solvent and a soft-bristled brush until all paint residue is removed.
5. Replace tip into tip seal.
6. Fit the air cap onto the tip, making sure that the location flats are in line.
7. Replace tip guard.



4.3 UNCLOGGING THE TIP (MODEL 2412194 ONLY)

1. Relieve spray gun and unit pressure.
2. Lock the spray gun by activating the trigger lock.
3. Unscrew tip guard and remove air cap.
4. Remove clogged tip from the air cap, reverse it and replace it into tip seal.
5. Fit the air cap onto the tip, making sure that the location flats are in line.
6. Replace the air cap and tip guard onto the spray gun. Tighten tip guard by hand.
7. Switch the material and air pressure back on.
8. Remove trigger lock and briefly trigger the spray gun onto a scrap piece of wood or cardboard. This should blow out any tip obstruction.
9. Relieve spray gun and unit pressure.
10. Lock the spray gun by activating the trigger lock.
11. Unscrew tip guard and remove air cap.
12. Remove tip from air cap and reverse tip again so it is in the spray position. Fit the air cap onto the tip, making sure that the location flats are in line.
13. Replace the air cap and tip guard onto the spray gun. Tighten tip guard by hand.

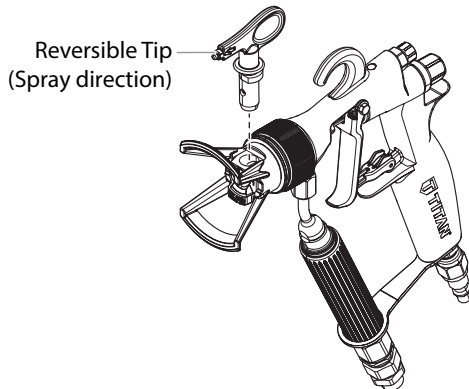


4.4 CLEANING / REPLACING REVERSIBLE TIP (MODEL 2404548 ONLY)



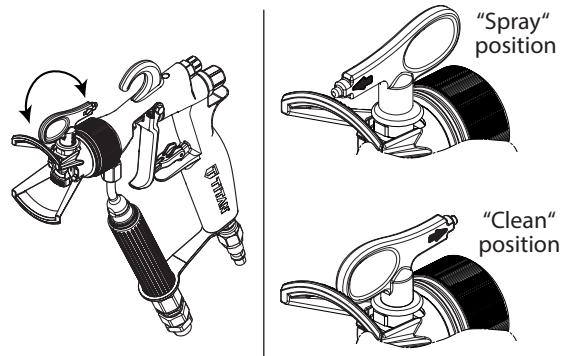
Do not use any sharp, metal objects when cleaning the tip.

1. Relieve spray gun and unit pressure.
2. Lock the spray gun by activating the trigger lock.
3. Pull out the reversible tip from the tip guard and clean with appropriate cleaning solvent and a soft-bristled brush until all paint residue has been removed.
4. Point the reversible tip in the spraying position and re-insert into tip guard.





4.5 UNCLOGGING THE REVERSIBLE TIP (MODEL 2404548 ONLY)

1. Relieve spray gun and unit pressure.
2. Lock the spray gun by activating the trigger lock.
3. Turn reversible tip to "clean" position.



4. Remove trigger lock and briefly trigger the spray gun onto a scrap piece of wood or cardboard. This should blow out any tip obstruction.
5. Lock the spray gun by activating the trigger lock.
6. Turn the reversible tip to "spray" position.
7. Remove trigger lock and resume spraying.

5 CLEANUP

	<p>Release system and spray gun pressure before cleaning or performing maintenance on the gun.</p> <p>Use only the cleaning solvent recommended by the material manufacturer.</p> <p>Never spray into an enclosed vessel (this will create an explosive gas / air mixture).</p>
	<p>Do not immerse the spray gun in solvent.</p>

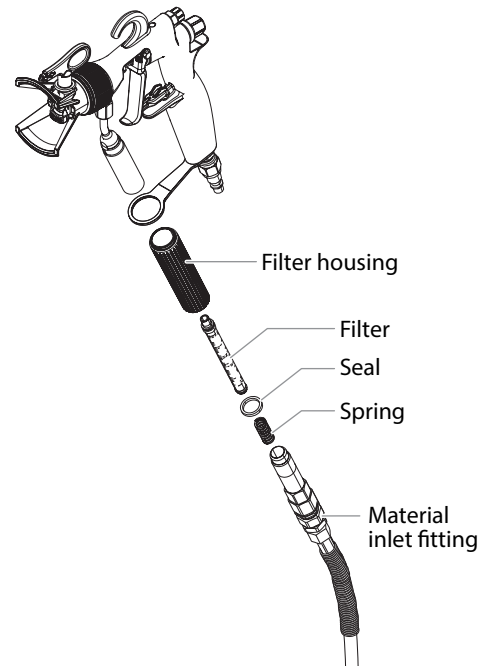
5.1 DAILY CLEANUP

1. Relieve spray gun and unit pressure.
2. Lock the spray gun by activating the trigger lock.
3. Unscrew the tip guard and remove air cap. Remove nozzle from the nozzle cap and clean separately (see Cleaning / Replacing the Tip).
4. Thoroughly flush the spray gun with the appropriate cleaning solvent.
5. Relieve spray gun and unit pressure.
6. Lock the spray gun by activating the trigger lock.
7. Clean the gun body with a cloth dampened with the appropriate cleaning solvent. Dry with a dry cloth.

6 MAINTENANCE

6.1 CLEANING / CHANGING THE FILTER

1. Relieve spray gun and unit pressure.
2. Lock the spray gun by activating the trigger lock.
3. Unscrew the filter housing by hand and remove.
4. Remove the filter.
5. Rinse the filter in a cleaning solvent or exchange with a new filter.
6. Clean the filter housing and material inlet fitting with the appropriate cleaning solvent.
7. Push the cone end of the new or cleaned filter into the into the filter housing.
8. Make sure the spring and seal are in position in the material inlet fitting and screw the material connector down tightly again.



Make sure the correct filter is being used for the tip and material being used (refer to the "Flat Tip Chart" and the "XL-1 Reversible Airless Spray Tip" sections).

6.2 GUN FILTER CHART

Part Number	For Tip Sizes	Filter Mesh	Color of Filter Body
0089960 (2 pk)	0.007" - 0.011"	180	Red
0089959 (2 pk)	0.013" - 0.015"	100	Yellow
0089958 (2 pk)	0.018" - 0.036"	50	White

7 TROUBLESHOOTING

PROBLEM

A. Insufficient material supply.

B. Poor spraying pattern.

C. Leaking air valve.

CAUSE

1. Material pressure set too low.
2. Blocked spray gun filter or pump high pressure filter.
3. Tip is blocked.
4. Tip is too small.
1. Tip is too large.
2. Material pressure at the pump is set too low.
3. Material viscosity is too high.
4. Atomizing air is set incorrectly.
5. Worn tip.
1. Damaged air valve seal.

SOLUTION

1. Increase the material pressure at pump.
2. Clean or replace the gun filter and/or pump high pressure filter.
3. Clean the tip.
4. Select a larger tip.
1. Select a smaller tip.
2. Increase the material pressure at the pump.
3. Dilute the material according to the material manufacturer's instructions.
4. Adjust the atomizing air using the gun air adjustment knob or pressure regulator at the compressor.
5. Replace with a new tip.
1. Replace the air valve seal.

1	PRESCRIPTIONS DE SÉCURITÉ	13
1.1	Explication des symboles utilisés	13
1.2	Dangers pour la sécurité	13
2	INTRODUCTION	16
2.1	Caractéristiques techniques	16
3	PRÉPARATION	17
4	FONCTIONNEMENT	17
4.1	Réglage du type de jet	17
4.2	Remplacement ou nettoyage de la buse (modèle 2412194 uniquement)	18
4.3	Désobstruction de la buse (modèle 2412194 uniquement)	18
4.4	Remplacement ou nettoyage de la buse (modèle 2404548 uniquement)	19
4.5	Désobstruction de la buse réversible (modèle 2404548 uniquement)	19
5	NETTOYAGE	20
5.1	Nettoyage quotidien	20
6	MAINTENANCE	20
6.1	Nettoyage et changement du filtre	20
6.2	Tableau des filtres à pistolet	21
7	DÉPANNAGE	21
	LISTE DE PIÈCES	32
	Pistolet à buse plate	32/33
	Pistolet à buse réversible	34/35
	Tableau des buses plates	36
	Buse réversible sans air	37
	GARANTIE	38

1 PRESCRIPTIONS DE SÉCURITÉ

1.1 EXPLICATION DES SYMBOLES UTILISÉS

Veillez lire et être sûr de comprendre toutes les informations contenues dans ce manuel avant d'utiliser l'appareil. Lorsque vous pénétrez dans une zone qui contient les symboles suivants, soyez particulièrement vigilant et vérifiez que les systèmes de sécurité sont bien installés.



→ Ce symbole indique un risque potentiel pouvant entraîner des blessures graves ou même mortelles. Vous trouverez ci-après d'importantes consignes de sécurité.



Attention

→ Ce symbole indique un risque potentiel pour vous ou pour l'appareil. D'importantes informations sur la manière d'éviter tout dommage de l'équipement ou d'éviter des blessures légères sont indiquées ci-après.



→ Danger de blessure par injection de produit



→ Danger d'incendie



→ Risque d'explosion



→ Vapeurs toxiques et/ou inflammables. Danger d'intoxication et de brûlure



→ Les notes contiennent des informations qui doivent être consciencieusement respectées.

1.2 DANGERS POUR LA SÉCURITÉ



RISQUE : BLESSURE PAR PROJECTION

Un courant de liquide à haute pression produit par cet équipement peut percer la peau et les tissus sous-cutanés, et entraîner des blessures graves ou une amputation.

Ne traitez pas une blessure par injection comme simple coupure. En cas de blessure de la peau par l'injection de peintures ou de solvants, consultez sans retard un médecin. Renseignez le médecin sur la nature de la peinture ou du solvant utilisés.

La pression de fonctionnement maximale du pistolet de pulvérisation est de 3600 psi ou de 24,8 MPa.

PRÉVENTION :

- Ne pas pointer le pistolet vers une partie du corps.
- Ne pas pointer le pistolet vers une personne ou un animal; ne pas pulvériser non plus de produit dessus.
- NE JAMAIS mettre une partie du corps devant le jet de produit. NE JAMAIS toucher les fuites du flexible de pulvérisation.
- NE JAMAIS mettre la main, même gantée, devant le pistolet (les gants n'offrent aucune protection contre les blessures par injection).
- TOUJOURS verrouiller la détente, arrêter la pompe et relâcher toute la pression avant d'effectuer la maintenance de l'appareil ou de le laisser sans surveillance, d'en nettoyer le protège-embout ou l'embout, ou de remplacer ce dernier. La pression ne sera pas relâchée par le simple arrêt du moteur; pour ce faire, on doit se servir du bouton PRIME/SPRAY (se reporter à la section Procédure de limitation de la pression, du présent manuel).
- TOUJOURS s'assurer que le protège-embout est en place avant de pulvériser. Il est cependant à noter que, s'il assure une certaine protection, ce dispositif joue surtout un rôle préventif.
- TOUJOURS retirer l'embout avant de vidanger ou de nettoyer l'appareil.
- TOUJOURS inspecter le flexible avant de commencer; celui-ci peut présenter des fuites attribuables à l'usure, à une flexion excessive ou à un traitement abusif, lesquelles fuites présentent des risques d'injection cutanée. Ne pas utiliser le flexible pour soulever ou tirer l'équipement.
- NE JAMAIS utiliser de pistolet sans verrou de détente et protège-doigts.
- Tous les accessoires (pistolets, embouts, rallonges, flexibles etc.) doivent pouvoir subir une pression nominale de 2 800 PSI / 19 MPa ou plus.

- Ne laissez pas l'appareil sous tension ou sous pression quand vous vous en éloignez. Quand vous n'utilisez pas l'appareil, éteignez-le et libérez la pression conformément aux instructions Procédure de limitation de la pression, du présent manuel.
- Vérifiez que toutes les connexions sont bien serrées avant d'utiliser l'appareil. Toute pièce qui n'est pas fixée solidement risque d'être projetée violemment ou d'entraîner la fuite d'un jet de liquide à une pression extrêmement élevée, ce qui pourrait causer des blessures graves.
- Verrouillez toujours la détente quand vous ne pulvérisez pas. Vérifiez que le verrou de la détente fonctionne correctement.



REMARQUE À L'INTENTION DES MÉDECINS :

Les injections cutanées sont des lésions traumatiques; il importe donc de les traiter sans délai. On NE DOIT PAS retarder ce traitement sous prétexte de vérifier la toxicité du produit en cause, celle-ci n'étant conséquente que dans le cas d'injection directe de certains produits dans le système sanguin. Il pourrait s'avérer nécessaire de consulter un plasticien ou un spécialiste en chirurgie reconstructive de la main.



RISQUE : VAPEURS DANGEREUSES

Les peintures, solvants, et autres matériaux peuvent être nocifs en cas d'inhalation ou de contact avec la peau. Les vapeurs peuvent entraîner de sérieuses nausées, des syncopes ou des empoisonnements.

PRÉVENTION :

- Pendant le travail de protection porter un masque respiratoire. Lisez attentivement toutes les instructions fournies avec le masque pour vous assurer qu'il fournit bien la protection nécessaire.
- Tous les règlements locaux en matière de protection contre les vapeurs toxiques doivent être respectés.
- Portez des protections oculaires.
- Pour protéger la peau il est nécessaire de porter des vêtements de protection, des gants et d'utiliser éventuellement une crème de protection de la peau. Observer les prescriptions des fabricants au sujet des produits de peinture, de nettoyage et des solvants pendant la préparation, la mise en oeuvre et le nettoyage du matériel.



RISQUE : EXPLOSION ET INCENDIE

Les vapeurs inflammables, telles que les vapeurs de solvant et de peinture, dans une zone de travail peuvent s'enflammer ou exploser.

PRÉVENTION :

- S'assurer que l'aire de travail est dotée de moyens d'évacuation d'air vicié et d'introduction d'air frais pour éviter l'accumulation de vapeurs inflammables. Les vapeurs dégagées par la peinture ou les solvants peuvent provoquer une explosion ou s'enflammer.
- Ne pas pulvériser de produit dans un endroit clos.
- Ne pas travailler près de sources d'ignition (décharges électrostatiques ou étincelles provoquées par le branchement/ débranchement d'appareils ou la commutation d'interrupteurs, d'appareils électriques, flammes nues, veilleuses, objets chauds, etc.). La peinture ou le solvant s'écoulant dans l'équipement peut générer de l'électricité statique.
- Ne pas fumer dans l'aire de travail.
- L'aire de travail doit être munie d'un extincteur en bon état de marche.
- Prévoir un espace d'au moins 6.1 mètres entre la pompe et l'objet à pulvériser s'ils sont dans la même pièce bien ventilée (rallonger le flexible au besoin). Les vapeurs inflammables étant souvent plus lourdes que l'air, l'espace au-dessus du plancher doit être particulièrement bien aéré. La pompe contient des pièces qui produisent des arcs et émettent des étincelles pouvant enflammer les vapeurs.
- Les appareils et objets à l'intérieur ou à proximité de l'aire de travail doivent être adéquatement mis à la terre pour éviter les décharges électrostatiques.
- Veillez à ce que la zone soit propre et exempte de contenants de peinture ou de solvant, chiffons ou autres matériaux inflammables.
- Les flexibles dont on se sert doivent être conçus pour subir les pressions élevées et faits de matériaux conducteurs ou mis à la terre adéquatement; le pistolet sera mis à la terre par le biais de ses raccords aux flexibles.
- Pour les appareils électriques — Le cordon d'alimentation doit être branché à un circuit trifilaire.
- L'appareil doit toujours être vidangé à basse pression, embout retiré, dans un contenant métallique distinct. Tenir le pistolet contre la paroi du contenant de manière à mettre ce dernier à la terre et à prévenir les décharges électrostatiques.

- Toujours respecter les mises en garde et les directives du fabricant des produits et solvants utilisés. On doit connaître les produits contenus dans les peintures et solvants qu'on pulvérise. Lire les fiches techniques santé-sécurité (FTSS) et les étiquettes des contenants fournies avec les peintures et solvants. Suivre les consignes de sécurité du fabricant de peinture et de solvant.
- S'entourer de toutes les précautions possibles lorsqu'on utilise des produits ayant un point d'éclair inférieur à 38°C (100°F). Le point d'éclair est la température à laquelle le liquide peut créer suffisamment de vapeurs et s'enflammer.
- Le plastique est générateur de décharges électrostatiques; ne jamais en suspendre pour fermer une aire de travail ou en utiliser en guise de toile de protection lorsqu'on pulvérise un produit inflammable.
- Se servir de la pression la plus basse possible pour vidanger l'appareil.
- Ne pas pulvériser de produit sur la pompe.



RISQUE : EXPLOSION CAUSÉE PAR DES PRODUITS INCOMPATIBLES

Ce type d'explosion peut entraîner des dommages matériels ou des blessures graves.

PRÉVENTION :

- Ne pas utiliser de produits contenant du chlore ou du javellisant.
- Ne pas utiliser de solvants à base de halons comme l'eau de javel, les agents antimoisissure, le chlorure de méthylène et le trichloroéthane-1-1-1, lesquels ne sont pas compatibles avec l'aluminium.
- Communiquer avec le fournisseur du produit concerné pour en connaître la compatibilité avec l'aluminium.



RISQUE : GÉNÉRALITÉS

peut entraîner des blessures sévères ou des dégâts matériels.

PRÉVENTION :

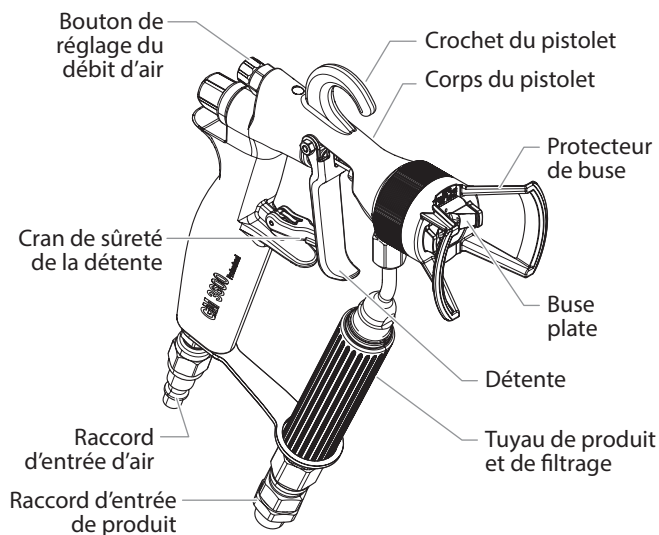
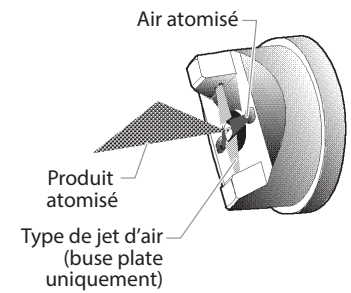
- Portez toujours les gants, la protection oculaire, les vêtements et un respirateur ou masque appropriés quand vous peignez.
- Ne travaillez pas et ne pulvérisez pas près d'enfants. Éloignez toujours les enfants de l'équipement.
- Ne travaillez pas avec les bras au-dessus de la tête ni sur un support instable. Appuyez-vous bien sur les deux pieds pour toujours conserver l'équilibre.
- Soyez attentif et regardez ce que vous faites.
- N'utilisez pas l'appareil quand vous êtes fatigué ou sous l'influence de drogues ou d'alcool.
- Ne faites pas de nœuds avec le tuyau et ne le tordez pas trop. Le tuyau à vide peut présenter des fuites suite à l'usure, les nœuds ou les mauvais traitements. Une fuite risque d'injecter du produit dans la peau.
- N'exposez pas le tuyau à des températures ou des pressions supérieures à celles spécifiées par le fabricant.
- N'utilisez pas le tuyau pour tirer ou soulever l'équipement.
- Utilisez la plus basse pression possible pour rincer l'équipement.
- Respectez tous les codes locaux, étatiques et nationaux qui régulent la ventilation, la prévention d'incendies et le fonctionnement.
- Les normes de sécurité du gouvernement des États-Unis ont été adoptées dans la loi Occupational safety and Health Act (OSHA). Ces normes, en particulier la partie 1910 des Normes générales et la partie 1926 des Normes de construction, doivent être consultées.
- Avant chaque emploi, vérifiez tous les tuyaux pour détecter d'éventuelles coupures, fuites, abrasion ou couvercle bombé. Vérifiez l'état ou le mouvement des accouplements. Changez immédiatement le tuyau si l'une de ces conditions est vérifiée. Ne réparez jamais un tuyau de peinture. Remplacez-le par un tuyau conducteur à haute pression.
- Ne pulvérisez pas à l'extérieur par temps venteux.
- Débranchez toujours le cordon électrique de la prise avant de travailler sur l'équipement.

2 INTRODUCTION

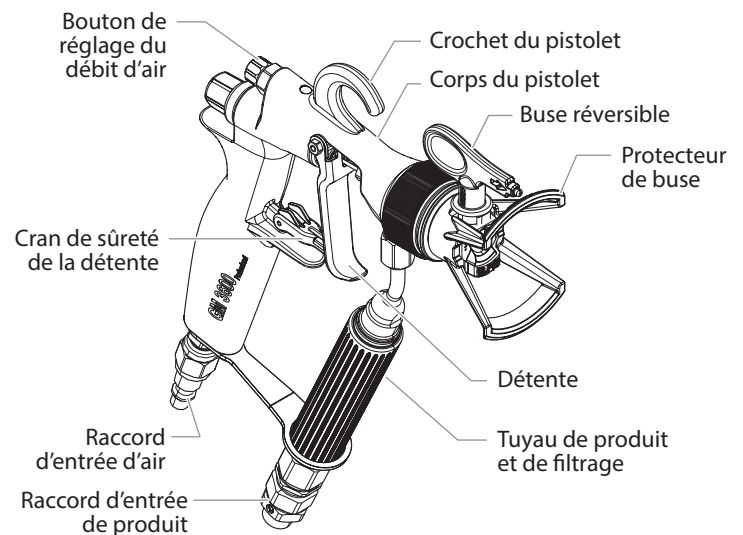
Durant le processus de pulvérisation à jet porté ou sans air, le produit est atomisé à une pression allant de 400 à 1800 PSI (de 3 à 12,4 MPa). L'air atomisé entre 7 à 32 PSI (0 à 0,22 MPa) produit un jet doux qui élimine les problèmes de chevauchement près du joint. Le jet doux empêche le produit de rebondir vers le pistolet. La forme d'air réduit ou augmente la largeur du jet selon le réglage de débit choisi. En raison de sa conception qui facilite le nettoyage et de l'absence d'événements près de la sortie du produit, la buse se nettoie pratiquement toute seule.

En appuyant sur la détente du pistolet, on ouvre le robinet d'air, ce qui permet d'atomiser de même que de souffler l'air vers la buse. Le robinet de produit s'ouvre seulement lorsqu'on appuie pleinement sur la détente.

Il faut régler la quantité d'air du jet à l'aide du bouton de réglage du débit d'air. Il faut régler le débit d'air à la source entre 0 et 32 PSI (0 et 0,22 MPa) environ.



Modèle 2412194



Modèle 2404548

AVANTAGES DU PROCESSUS RÉGLABLE DE PULVÉRISATION À JET PORTÉ OU SANS AIR :

- Capacité de couvrir d'importante surface
- Faible pulvérisation hors cible
- Fini fin
- Formes de jet à largeur réglable

CE PISTOLET PEUT SERVIR À PULVÉRISER LES PRODUITS SUIVANTS :

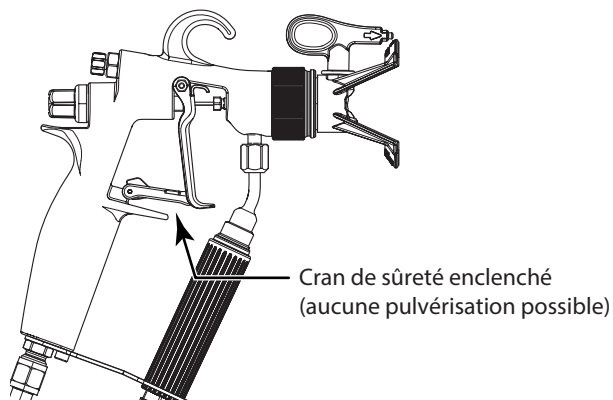
- Les apprêts et les couches de finition à base d'eau, d'huile ou de solvant
- L'émail de fini fin et l'enduit de finition pour automobiles
- Les agents de démoulage.

2.1 CARACTÉRISTIQUES TECHNIQUES

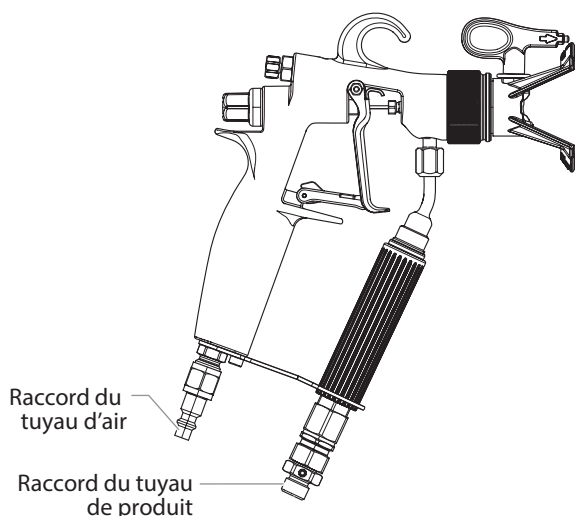
Pression maximale du débit d'air	115 PSI (0,79 MPa)
Pression maximale de fonctionnement	3600 PSI (25 MPa)
Conduit d'air	Mamelon à dégagement
Connecteur à produit	NPSM 0,6 cm (1/4 po)
Filtre, standard	100 mailles (voir le tableau en page 21 pour connaître les tailles de filtre offertes)
Longueur	216 mm (8,5 po)
Hauteur	250 mm (9,8 po)
Poids	420 g (1 lb)
Pistolet à buse réversible	N/P 2404548
Pistolet à buse plate	N/P 2412194

3 PRÉPARATION

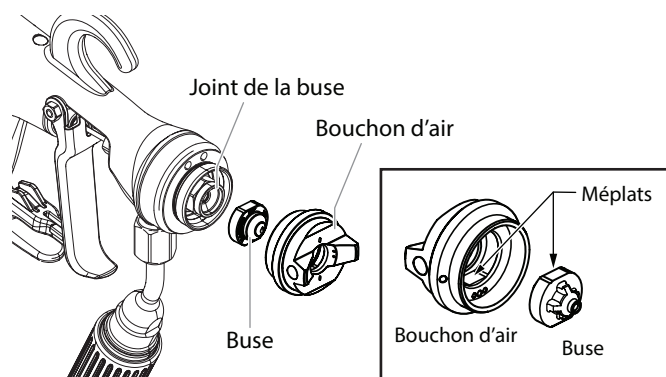
1. Assurez-vous que le cran de sûreté est enclenché.



2. Vissez une extrémité du tuyau à produit au pistolet et l'autre à l'extrémité de la pompe.
3. Vissez une extrémité du tuyau d'air au pistolet et l'autre au dispositif d'alimentation d'air.



4. **Modèle 2412194 uniquement** : placez la buse dans le joint de la buse. Fixez le bouchon d'air par-dessus la buse en vous assurant que les méplats (marques) sont alignés.



5. Placez le protecteur de buse par-dessus le bouchon d'air et serrez le.

4 UTILISATION

1. Démarrez le dispositif de pulvérisation (consultez le Guide d'utilisation du dispositif).
2. Réglez le débit de produit à la pompe à environ 400 PSI (3 MPa).
3. Déverrouillez le pistolet de pulvérisation. Appuyez sur la détente et augmentez la pression à la pompe jusqu'à l'obtention de la forme de jet désirée.
4. Ouvrez l'air atomisé au contrôleur de débit et réglez le débit d'air pour le faire correspondre à la forme de jet désirée (jusqu'à un maximum de 32 PSI [0,22 MPa]). Il est possible de régler la forme d'air en choisissant la largeur du jet à l'aide du bouton de réglage du débit d'air.



Attention

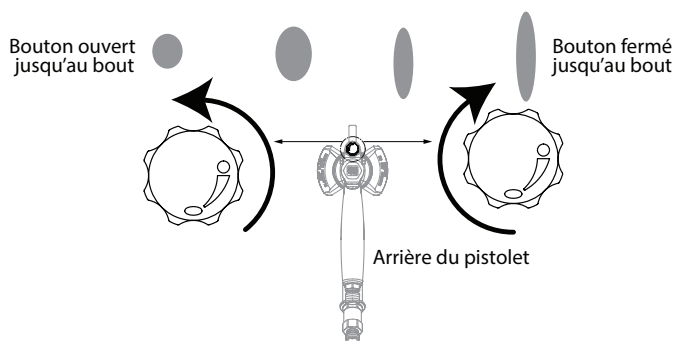
Ne tournez pas le bouton de réglage à l'aide de pinces. Vous risqueriez de trop le visser ou d'endommager le pistolet.

4.1 RÉGLAGE DU TYPE DE JET



Il est possible de régler le type de jet en fonction de l'objet à enduire à l'aide du bouton de réglage du débit d'air. L'illustration suivante démontre comment régler le jet à l'aide du bouton de réglage.

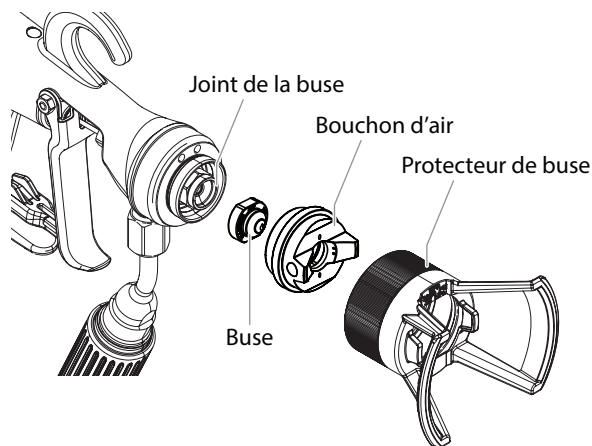
Vous pouvez aussi utiliser une buse d'une autre dimension pour obtenir un jet plus petit ou plus important.



4.2 REMPLACEMENT OU NETTOYAGE DE LA BUSE (MODÈLE 2412194 UNIQUEMENT)

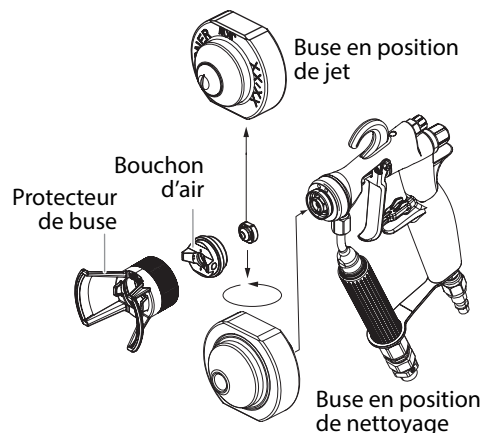
	Si votre jet dévie ou perd de son intensité, vous devez nettoyer ou remplacer la buse ou le bouchon d'air.
	N'utilisez pas d'objets en métal affilés pour nettoyer la buse.

1. Libérez le pistolet et le dispositif de pression.
2. Verrouillez le pistolet en enclenchant le cran de sûreté.
3. Retirez le protecteur de buse.
4. Faites sortir la buse hors du bouchon d'air manuellement. Éliminez les résidus de peinture des pièces à l'aide d'un solvant approprié et d'une brosse à poils souples.
5. Replacez la buse dans le joint de la buse.
6. Fixez le bouchon d'air par-dessus la buse en vous assurant que les méplats (marques) sont alignés.
7. Replacez le protecteur de buse.



4.3 DÉSOBSTRUCTION DE LA BUSE (MODÈLE 2412194 UNIQUEMENT)

1. Libérez le pistolet et le dispositif de pression.
2. Verrouillez le pistolet en enclenchant le cran de sûreté.
3. Dévissez le protecteur de buse et retirez le bouchon d'air.
4. Retirez la buse obstruée du bouchon d'air, renversez-la et replacez-la dans le joint de la buse.
5. Fixez le bouchon d'air par-dessus la buse en vous assurant que les méplats (marques) sont alignés.
6. Replacez le bouchon d'air et le protecteur de buse sur le pistolet. Serrez le protecteur de buse à la main.
7. Rétablissez le débit d'air et de produit à la position « marche ».
8. Retirez le cran de sûreté, pointez le pulvérisateur vers un bout de bois ou de carton et appuyez brièvement sur la détente. Ceci devrait permettre d'expulser les résidus obstruant la buse.
9. Libérez le pistolet et le dispositif de pression.
10. Verrouillez le pistolet en enclenchant le cran de sûreté.
11. Dévissez le protecteur de buse et retirez le bouchon d'air.
12. Retirez la buse du bouchon d'air et renversez-la de nouveau afin qu'elle soit en position de jet. Fixez le bouchon d'air par-dessus la buse en vous assurant que les méplats (marques) sont alignés.
13. Replacez le bouchon d'air et le protecteur de buse sur le pistolet. Serrez le protecteur de buse à la main.

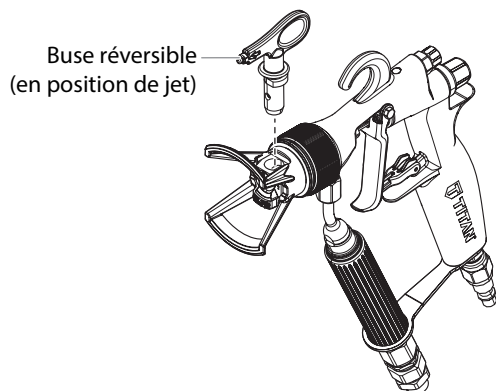


4.4 REMPLACEMENT OU NETTOYAGE DE LA BUSE (MODÈLE 2404548 UNIQUEMENT)



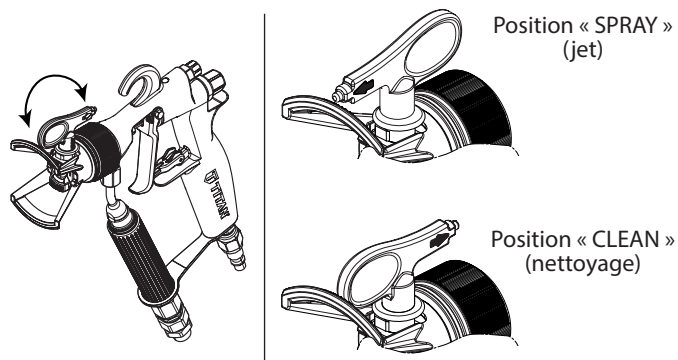
N'utilisez pas d'objets en métal affilés pour nettoyer la buse.

1. Libérez le pistolet et le dispositif de pression.
2. Verrouillez le pistolet en enclenchant le cran de sûreté.
3. Retirez la buse réversible du protecteur de buse et éliminez les résidus de peinture à l'aide d'un solvant approprié et d'une brosse à poils souples.
4. Pointez la buse réversible en position de jet et insérez-la dans le protecteur de buse.





4.5 DÉSOBSTRUCTION DE LA BUSE RÉVERSIBLE (MODÈLE 2404548 UNIQUEMENT)

1. Libérez le pistolet et le dispositif de pression.
2. Verrouillez le pistolet en enclenchant le cran de sûreté.
3. Tournez la buse réversible en position « CLEAN » (nettoyage).



4. Retirez le cran de sûreté, pointez le pulvérisateur vers un bout de bois ou de carton et appuyez brièvement sur la détente. Ceci devrait permettre d'expulser les résidus obstruant la buse.
5. Verrouillez le pistolet en enclenchant le cran de sûreté.
6. Tournez la buse réversible en position « SPRAY » (jet).
7. Retirez le cran de sûreté et poursuivez la pulvérisation.

5 NETTOYAGE

	<p>Libérez le système et le pistolet avant de nettoyer et d'effectuer l'entretien du pistolet.</p> <p>N'utilisez que le solvant de nettoyage recommandé par le fabricant.</p> <p>Ne pulvérisez jamais de produit dans un récipient fermé (ceci créerait un mélange explosif d'air et de gaz).</p>
	<p>Ne plongez pas le pistolet dans le solvant.</p>

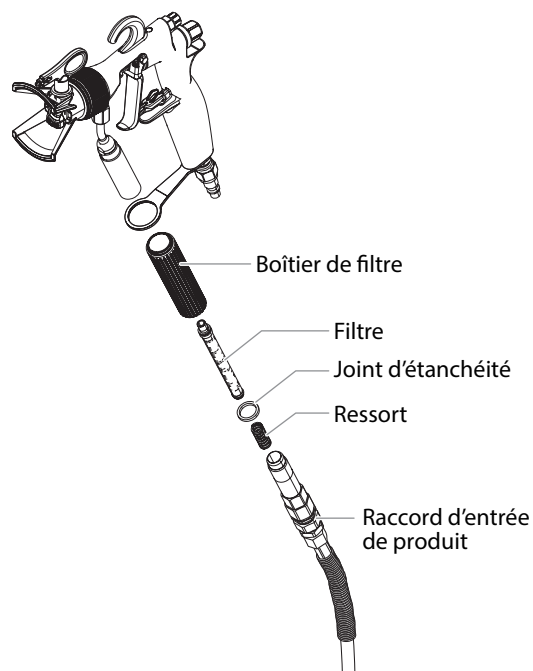
5.1 NETTOYAGE QUOTIDIEN

1. Libérez le pistolet et le dispositif de pression.
2. Verrouillez le pistolet en enclenchant le cran de sûreté.
3. Dévissez le protecteur de buse et retirez le bouchon d'air. Retirez la buse du bouchon d'air et nettoyez les pièces séparément (voir la section Remplacement ou nettoyage de la buse).
4. Rincez le pistolet à fond avec le solvant de nettoyage approprié.
5. Libérez le pistolet et le dispositif de pression.
6. Verrouillez le pistolet en enclenchant le cran de sûreté.
7. Nettoyez le corps du pistolet avec un linge imprégné du solvant de nettoyage approprié. Essuyez avec un linge sec.

6 MAINTENANCE

6.1 NETTOYAGE ET CHANGEMENT DU FILTRE

1. Libérez le pistolet et le dispositif de pression.
2. Verrouillez le pistolet en enclenchant le cran de sûreté.
3. Dévissez le logement du filtre à la main et retirez-le.
4. Retirez le filtre.
5. Rincez le filtre à l'aide d'un solvant de nettoyage ou remplacez-le par un nouveau filtre.
6. Nettoyez le boîtier du filtre et le raccord d'entrée de produit avec le solvant de nettoyage qui convient.
7. Poussez l'extrémité conique du nouveau filtre ou du filtre nettoyé dans le boîtier.
8. Veillez à replacer correctement le ressort et le joint d'étanchéité dans le raccord d'entrée de produit et vissez à nouveau le connecteur de matériau.



Veillez à utiliser le filtre approprié à la buse et au pistolet utilisé (voir le sections Tableau des filtres à pistolet et le Tableau des buses à jet porté).

6.2 TABLEAU DES FILTRES À PISTOLET

N° de pièce	Pour têtes de tailles	Maille filtre	Couleur du corps du filtre
0089960 (2 pk)	0,007" - 0,011"	180	Rouge
0089959 (2 pk)	0,013" - 0,015"	100	Jaune
0089958 (2 pk)	0,018" - 0,036"	50	Blanc

7 DÉPANNAGE

PROBLÈME

A. Alimentation de produit insuffisante

B. Type de jet faible

C. Fuite au robinet d'air

CAUSE

1. Le réglage du débit de produit est trop bas.
2. Le filtre du pistolet ou de la pompe à haute pression est obstrué.
3. La buse est bloquée.
4. La buse est trop petite.

1. La buse est trop grande.
2. Le réglage du débit de produit sur la pompe est trop bas.
3. Le produit est trop visqueux.
4. L'air atomisé est mal réglé.
5. La buse est usée.

1. Le joint d'étanchéité du robinet d'air est endommagé

SOLUTION

1. Augmentez le débit de produit à la pompe.
2. Nettoyez ou remplacez le filtre du pistolet ou le filtre de la pompe à haute pression.
3. Nettoyez la buse.
4. Choisissez une buse plus grande (consultez le Tableau des buses à jet porté).

1. Choisissez une buse plus petite (consultez le Tableau des buses à jet porté).
2. Augmentez le débit de produit à la pompe.
3. Diluez le produit selon les instructions du fabricant.
4. Réglez l'air atomisé à l'aide du bouton de réglage d'air du pistolet ou de régulation de pression du compresseur.
5. Remplacez par une nouvelle buse.

1. Remplacez le joint d'étanchéité du robinet d'air (consultez la partie « Réparation du joint d'étanchéité d'un robinet d'air » de la section Entretien).

1	NORMAS DE SEGURIDAD PARA LA PULVERIZACIÓN AIRLESS	23
1.1	Explicación de los símbolos utilizados	23
1.2	Peligros para la seguridad	23
2	INTRODUCCIÓN	26
2.1	Especificaciones	26
3	PREPARACIÓN	27
4	OPERACIÓN	27
4.1	Ajuste de la modalidad de rociado	27
4.2	Limpieza / reemplazo de la boquilla (sólo para el modelo 2412194)	28
4.3	Desobstrucción de la boquilla (sólo para el modelo 2412194)	28
4.4	Limpieza / reemplazo de la boquilla reversible (sólo para el modelo 2404548)	29
4.5	Desobstrucción de la boquilla reversible (sólo para el modelo 2404548)	29
5	LIMPIEZA	30
5.1	Limpieza Diaria	30
6	MANTENIMIENTO	30
6.1	Cambio / limpieza del filtro	30
6.2	Tabla de filtros para la pistola	31
7	SOLUCIÓN DE PROBLEMAS	31
	LISTA DE PIEZAS	32
	Pistola rociadora con boquilla fija	32/33
	Pistola rociadora con boquilla reversible	34/35
	Tabla de boquillas fijas	36
	Boquilla rociadora sin aire reversible	37
	GARANTÍA	39

1 NORMAS DE SEGURIDAD

1.1 EXPLICACIÓN DE LOS SÍMBOLOS UTILIZADOS

El presente manual contiene información que deberá leer y comprender bien antes de utilizar el equipo. Cuando llegue a una sección que tenga uno de los siguientes símbolos, preste especial atención y asegúrese de que se cumplen las medidas de seguridad.



→ Este símbolo indica un peligro potencial que puede provocar lesiones graves e incluso la muerte. A continuación se incluye información importante de seguridad.



→ Este símbolo indica un peligro potencial para usted o para el equipo. A continuación se incluye información importante para evitar daños al equipo o evitar situaciones que podrían provocar lesiones de segundo orden.



→ Peligro de lesiones por inyección



→ Peligro de incendio



→ Peligro de explosión



→ Mezclas de vapores tóxicos y/o inflamables. Peligro de intoxicación y quemadura



→ Las notas añaden información importante a la que debe prestarse especial atención.

1.2 PELIGROS PARA LA SEGURIDAD



PELIGRO: LESIÓN CAUSADA POR INYECCIÓN

La corriente de líquido a alta presión que produce este equipo puede perforar la piel y tejidos interiores, pudiendo provocar graves lesiones e incluso hay posibilidad de amputación.

No trate una lesión por pulverización como una lesión de corte inocua. En caso de lesiones cutáneas por contacto con material de recubrimiento o disolvente, consultar inmediatamente a un médico para un tratamiento rápido y correcto. Informe al médico sobre el material de recubrimiento o disolvente utilizado.

La presión máxima de funcionamiento de la pistola rociadora es una presión del fluido de 3600 psi / 24.8 MPa.

PREVENCIÓN:

- NUNCA apunte la pistola a ninguna parte del cuerpo.
- No apunte con la pistola ni rocíe a cualquier persona o animal.
- NUNCA deje que ninguna parte del cuerpo toque el flujo de líquido. NO deje que el cuerpo toque una fuga de la manguera de líquido.
- NUNCA ponga la mano frente a la pistola. Los guantes no protegen contra una lesión por inyección.
- SIEMPRE ponga el seguro del gatillo, apague la bomba y libere toda la presión antes de dar servicio, limpiar la boquilla o protección, cambiar la boquilla o dejar la pistola sin supervisión. No se libera la presión al apagar el motor. Debe girarse la perilla PRIME/ SPRAY (CEBAR/ ROCIAR) a PRIME (CEBAR) para aliviar la presión. Consulte el Procedimiento para el alivio de la presión descrito en este manual.
- SIEMPRE mantenga la protección de la boquilla en su sitio al rociar. La protección de la boquilla sirve principalmente de dispositivo de advertencia.
- SIEMPRE retire la boquilla rociadora antes de enjuagar o limpiar el sistema.
- La manguera de pintura puede presentar fugas por desgaste, dobleces y maltrato. La fuga puede inyectar material traspasando la piel. Inspeccione la manguera antes de cada uso. No use mangueras para levantar o tirar del equipo.
- NUNCA use una pistola rociadora sin contar con el seguro y la protección del gatillo.

- Todos los accesorios deben tener capacidades nominales de 2800 PSI / 19 MPa como mínimo. Esto incluye las boquillas rociadoras, pistolas, extensiones y manguera.
- No deje el aparato con corriente ni con presión cuando nadie esté pendiente de ella. Cuando no utilice el aparato, apáguelo y libere la presión siguiendo las instrucciones del Procedimiento para el alivio de la presión descrito en este manual.
- Antes de utilizar el aparato, verifique que todas las conexiones son seguras. Las partes no aseguradas pueden ser expulsadas con gran fuerza o filtrar fluido a alta presión y provocar lesiones severas.
- Ponga siempre el seguro del gatillo cuando no esté pulverizando. Verifique que el seguro del gatillo funciona correctamente.



NOTA PARA EL MÉDICO: La inyección a través de la piel es una lesión traumática. Es importante tratar la lesión tan pronto sea posible. NO retrase el tratamiento para investigar la toxicidad. La toxicidad es un factor a considerar con ciertos revestimientos inyectados directamente en la corriente sanguínea. Puede ser aconsejable consultar con un cirujano plástico o un cirujano especialista en reconstrucción de las manos.



PELIGRO: VAPORES PELIGROSOS

Las pinturas, disolventes, y otros materiales pueden ser perjudiciales si se inhalan o entran en contacto con el cuerpo. Los vapores pueden provocar náuseas intensas, desmayos o envenenamiento.

PREVENCIÓN:

- Ponerse una careta respiratoria durante los trabajos de pulverización. Lea todas las instrucciones facilitadas con la mascarilla para asegurarse de que proporciona toda la protección necesaria.
- Se deben respetar todas las normas de seguridad con respecto a la protección contra vapores dañinos.
- Lleve gafas protectoras.
- Para proteger la piel se necesitan especialmente ropa protectora, guantes y, si es necesario, crema cutánea de protección. Prestar atención a las prescripciones de los fabricantes con respecto a materiales de recubrimiento, disolventes y agentes limpiadores durante la preparación, el tratamiento y la limpieza de los aparatos.



PELIGRO: EXPLOSIONES E INCENDIOS

Los vapores inflamables, como los vapores de las pinturas y los solventes, pueden encenderse o explotar en el área de trabajo.

PREVENCIÓN:

- Cuente con escape y entrada de aire fresco para mantener el aire dentro de la zona de aplicación sin acumulaciones de vapores inflamables. Los gases producidos por solventes o pinturas pueden causar explosiones o incendios.
- No rocíe en lugares cerrados.
- Evite todas las fuentes de ignición como las chispas de electricidad estática, las llamas expuestas, appliances electricidad, las luces piloto y los objetos calientes. La conexión o desconexión de cables eléctricos o interruptores de luz operativos puede producir chispas. Si la pintura o el solvente fluyen por el equipo se puede generar electricidad estática.
- No fume en el área de aplicación.
- Debe haber un extintor de incendios en buen estado.
- Coloque la bomba de pintura a un mínimo de 6.1 meters (20 pies) del objeto a pintar dentro de un área bien ventilada (añada más manguera si es necesario). Los vapores inflamables son generalmente más pesados que el aire. El área debe estar sumamente bien ventilada.
- El equipo y los objetos dentro y alrededor del área a pintar deben estar debidamente conectados a tierra para evitar las chispas de estática.
- Mantenga el área limpia y libre de contenedores de pintura o solvente, trapos y otros materiales inflamables.
- Use solamente una manguera conductora o conectada a tierra para líquidos a alta presión. La pistola debe conectarse a tierra a través de las conexiones de la manguera.
- Para las aparatos eléctricas — Debe conectarse el cable eléctrico a un circuito a tierra.
- Siempre enjuague la unidad dentro de un recipiente metálico separado, con la bomba a baja presión y habiendo sacado la boquilla rociadora. Sostenga la pistola firmemente contra el costado del recipiente para conectar a tierra el mismo y evitar chispas de estática.
- Siga las advertencias e instrucciones del fabricante del material y del solvente. Conozca los contenidos de las pinturas y los solventes con los que rocía. Lea todas las Hojas de Datos sobre Seguridad de Materiales (SDS) y las etiquetas del contenedor provistas con las pinturas y los solventes. Siga las instrucciones de seguridad del fabricante de pinturas o solventes.

- Tenga muchísimo cuidado al usar materiales cuyo punto de ignición sea inferior a 100°F (38°C). El punto de inflamación es la temperatura a la que un fluido puede producir vapores suficientes para encenderse.
- El plástico puede causar chispas de estática. Nunca cuelgue plásticos para cerrar una zona a pintar. No use mantas plásticas al aplicar materiales inflamables.
- Use la presión más baja posible para enjuagar el equipo.
- No rocíe el ensamblaje de la bomba.



**PELIGRO: POSIBLE EXPLOSIÓN
DEBIDO A MATERIALES
INCOMPATIBLES**

Causará daños materiales o lesiones graves.

PREVENCIÓN:

- No use materiales que contengan blanqueador o cloro.
- No use solventes de hidrocarburos halogenados como blanqueador, mohocida, cloruro de metileno y 1,1,1 tricloroetano. No son compatibles con el aluminio.
- Diríjase al proveedor de revestimientos para obtener los datos de compatibilidad del material con el aluminio.



PELIGRO: GENERAL

Pueden producirse lesiones graves o daños materiales.

PREVENCIÓN:

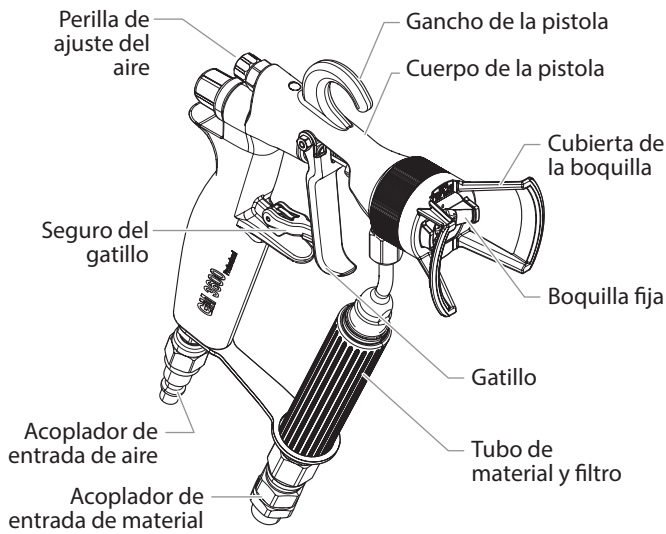
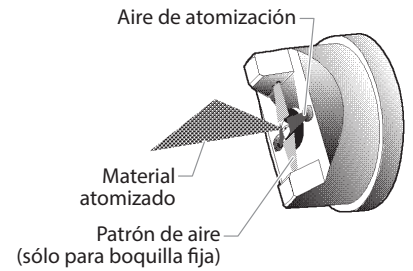
- Cuando pinte, lleve siempre guantes, protección para los ojos, ropa y un respirador o máscara adecuados.
- Nunca utilice el aparato ni pulverice cerca de niños. Mantenga el equipo alejado de los niños en todo momento.
- No se estire demasiado ni se apoye sobre un soporte inestable. Mantenga los pies bien apoyados y el equilibrio en todo momento.
- No se distraiga y tenga cuidado con lo que hace.
- No utilice el aparato si está fatigado o se encuentra bajo la influencia del alcohol o de las drogas.
- No retuerza ni doble la manguera en exceso. En la manguera airless pueden aparecer fugas a causa del desgaste, de retorcimientos o de un mal uso. Una fuga puede inyectar material en la piel.
- No exponga la manguera a temperaturas o presiones que superen las especificadas por el fabricante.
- No utilice la manguera como elemento de fuerza para tirar del equipo o levantarlo.
- Utilice la presión más baja posible para enjuagar el equipo.
- Cumpla todos los reglamentos locales, estatales y nacionales pertinentes relativos a ventilación, prevención de incendios y funcionamiento.
- Las normas sobre seguridad del gobierno de los Estados Unidos se han adoptado al amparo de la Ley de salud y seguridad ocupacional (OSHA). Deben consultarse tres normas, particularmente la sección 1910 de las Normas generales y la sección 1926 de las Normas sobre construcción.
- Cada vez que vaya a utilizar el equipo, compruebe antes todas las mangueras en busca de cortes, fugas, abrasión o bultos en la cubierta. Compruebe el movimiento de los acoplamientos y si están dañados. Sustituya inmediatamente una manguera si descubre alguna de estas anomalías. No repare nunca una manguera de pintura. Sustitúyala por una manguera conductora a alta presión.
- No pulverice al aire libre si hace viento.
- Desenchufe siempre el cable antes de trabajar en el equipo.

2 INTRODUCCIÓN

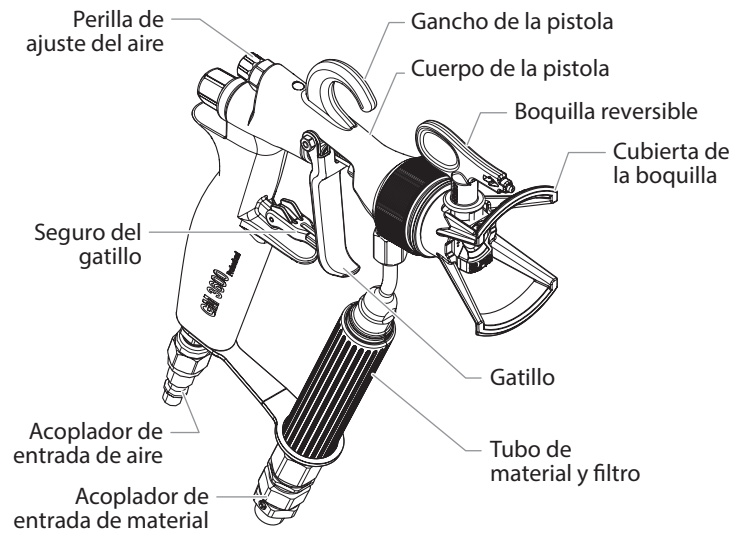
En el proceso de rocío con y sin aire, el material a rociar se atomiza a una presión de entre 400 y 1800 PSI (de 3 a 12.4 MPa). El aire de atomización entre 7 y 32 PSI (0 a 0.22 MPa) produce un suave chorro rociador que elimina los problemas de superposición en la zona delimitada. El suave chorro rociador previene que el material a rociar rebote en la pistola. La forma del aire reduce o aumenta el ancho del chorro rociador, según cómo se regule la perilla de ajuste del aire. Gracias al diseño fácil de limpiar de la boquilla y a que los orificios del aire se encuentran lejos de la salida del material, la boquilla prácticamente se limpia sola.

Al apretar el gatillo, la válvula de aire se abre permitiendo que el aire de atomización y el chorro de aire fluyan hasta la boquilla. La válvula del material se abre sólo cuando se aprieta el gatillo hasta el máximo.

La cantidad de aire del chorro rociador se regula utilizando la perilla de ajuste del aire. La entrada de aire debe regularse en la fuente aproximadamente entre 0 y 32 PSI (0 y 0.22 MPa).



Modelo 2412194



Modelo 2404548

VENTAJAS DEL PROCESO CON AIRE ASISTIDO / SIN AIRE REGULABLE:

- alta capacidad de cobertura
- baja probabilidad de rociado accidental
- acabado fino
- regulación del ancho de la modalidad de rociado

LOS MATERIALES QUE SE PUEDEN ROCIAR CON ESTA PISTOLA SON:

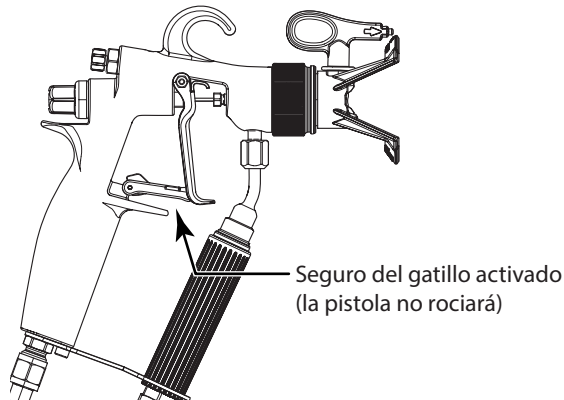
- Pinturas de acabado y primers a base de agua, aceite y solvente
- Esmaltes de acabado fino y revestimientos para automóviles
- Agentes desmoldantes

2.1 ESPECIFICACIONES

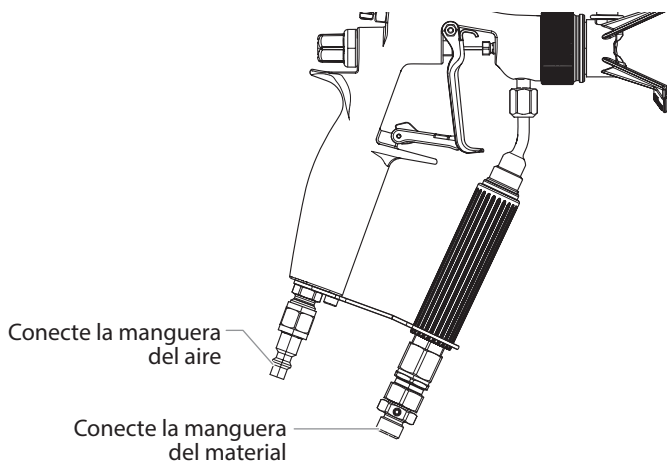
Presión máxima de entrada de aire	115 PSI (0.79 MPa)
Presión máxima de trabajo	3600 PSI (25 MPa)
Conector de aire	Niple QD
Conector de material	NPSM 1/4"
Filtro, estándar	Malla 100 (consulte la tabla de la página 31 para ver los tamaños del filtro disponibles)
Longitud	8.5" (216 mm)
Altura	9.8" (250 mm)
Peso	1 lb. (420 g)
Pistola Rociadora con Boquilla Reversible	P/N 2404548
Pistola Rociadora con Boquilla Fija	P/N 2412194

3 PREPARACIÓN

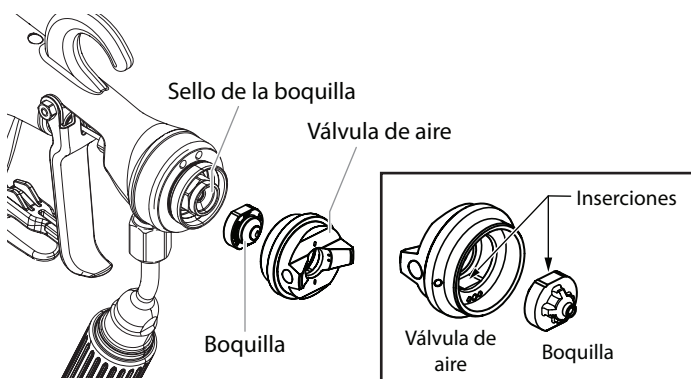
1. Asegúrese de activar el seguro del gatillo.



2. Conecte un extremo de la manguera del material a la pistola rociadora y el otro extremo a la bomba.
3. Conecte un extremo de la manguera del aire a la pistola rociadora y el otro extremo al suministro de aire.



4. **Sólo para el modelo 2412194:** Coloque la boquilla en el sello de la boquilla. Coloque la válvula de aire en la boquilla, asegurándose de que las inserciones queden alineadas.



5. Coloque la cubierta de la boquilla sobre la válvula de aire y ajústela.

4 OPERACIÓN

1. Encienda la unidad rociadora (consulte el Manual del Propietario de la unidad rociadora).
2. Ajuste la presión del material en la bomba a aproximadamente 400 PSI (3 MPa).
3. Desbloquee la pistola rociadora. Presione el gatillo y aumente la presión de la bomba hasta lograr la modalidad de rociado que desee.
4. Abra el aire de atomización en el regulador de aire externo y ajuste la presión de aire hasta obtener la mejor modalidad de rociado (hasta un máximo de 32 PSI (0.22 MPa)). La forma del aire puede ajustarse con la perilla de ajuste del aire hasta obtener el ancho de chorro rociador deseado.



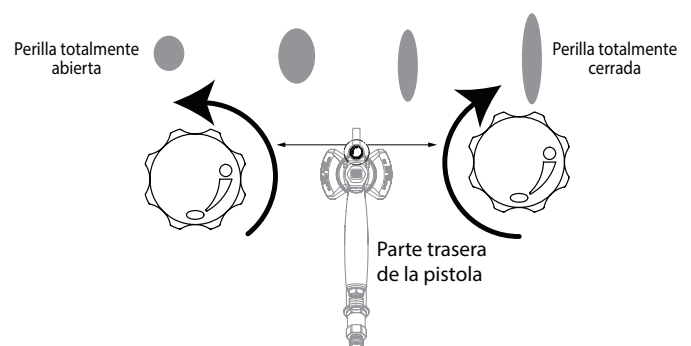
Atención

No gire la perilla de ajuste del aire con un alicate. Puede ajustarla demasiado y dañar la pistola.



4.1 AJUSTE DE LA MODALIDAD DE ROCIADO



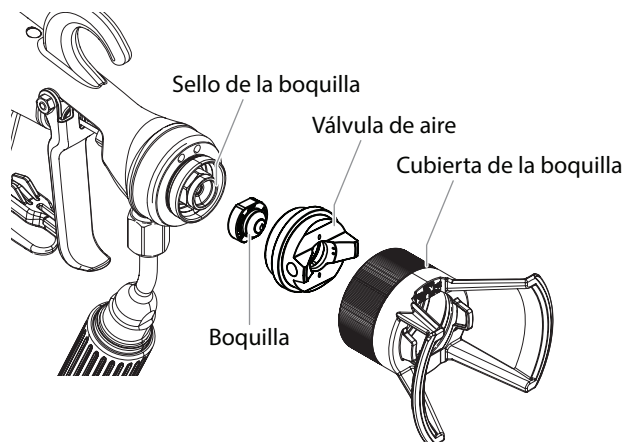
La modalidad de rociado puede ajustarse y adecuarse al material a rociar utilizando la perilla de ajuste del aire. La ilustración que figura a continuación muestra cómo la perilla de ajuste del aire puede controlar la modalidad de rociado. Pueden utilizarse boquillas de otro tamaño para obtener modalidades de rociado más grandes o más pequeñas.



4.2 LIMPIEZA / REEMPLAZO DE LA BOQUILLA (SÓLO PARA EL MODELO 2412194)

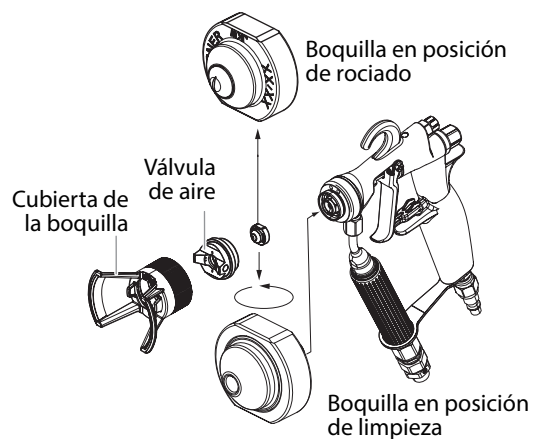
	Si la modalidad de rociado se distorsiona o no es correcta, tal vez deba limpiar o reemplazar la boquilla o la válvula de aire.
 Atención	No utilice objetos metálicos o filosos para limpiar la boquilla.

1. Libere la presión de la pistola rociadora y de la unidad.
2. Bloquee la pistola rociadora activando el seguro del gatillo.
3. Retire la cubierta de la boquilla.
4. Retire la boquilla de la válvula de aire manualmente. Limpie con un solvente de limpieza adecuado y una brocha de cerdas suaves hasta retirar todos los residuos de pintura.
5. Reemplace la boquilla en el sello de la boquilla.
6. Coloque la válvula de aire en la boquilla, asegurándose de que las inserciones queden alineadas.
7. Reemplace la cubierta de la boquilla.



4.3 DESOBSTRUCCIÓN DE LA BOQUILLA (SÓLO PARA EL MODELO 2412194)

1. Libere la presión de la pistola rociadora y de la unidad.
2. Bloquee la pistola rociadora activando el seguro del gatillo.
3. Destornille la cubierta de la boquilla y retire la válvula de aire.
4. Retire la boquilla obstruida de la válvula de aire, inviértala y reemplácela en el sello de la boquilla.
5. Coloque la válvula de aire en la boquilla, asegurándose de que las inserciones queden alineadas.
6. Reemplace la válvula de aire y la cubierta de la boquilla de la pistola rociadora. Ajuste manualmente la cubierta de la boquilla.
7. Vuelva a cambiar el material y la presión de aire.
8. Quite el seguro del gatillo y presione el gatillo brevemente la pistola rociadora sobre un trozo de madera o cartón. Esto debería desbloquear cualquier tipo de obstrucción que tenga la boquilla.
9. Libere la presión de la pistola rociadora y de la unidad.
10. Bloquee la pistola rociadora activando el seguro del gatillo.
11. Destornille la cubierta de la boquilla y retire la válvula de aire.
12. Retire la boquilla de la válvula de aire e inviértala nuevamente de manera que quede en la posición de rociado. Coloque la válvula de aire en la boquilla, asegurándose de que las inserciones queden alineadas.
13. Reemplace la válvula de aire y la cubierta de la boquilla de la pistola rociadora. Ajuste manualmente la cubierta de la boquilla.

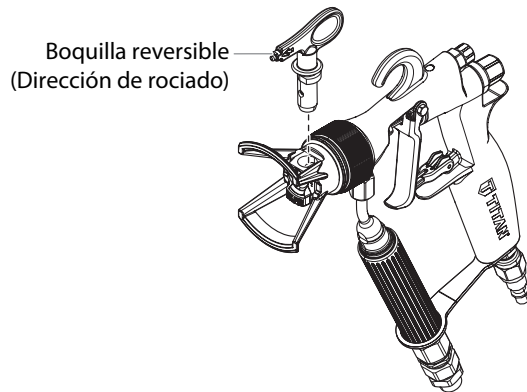


4.4 LIMPIEZA / REEMPLAZO DE LA BOQUILLA REVERSIBLE (SÓLO PARA EL MODELO 2404548)



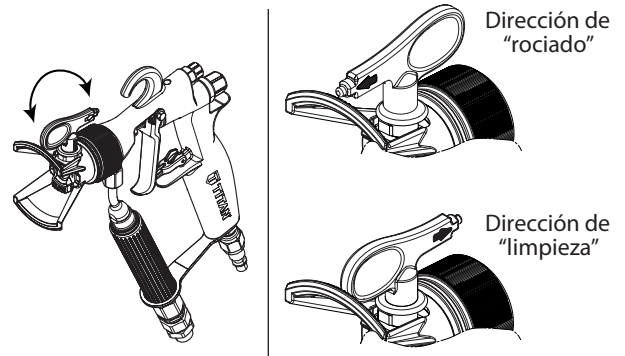
No utilice objetos metálicos o filosos para limpiar la boquilla.

1. Libere la presión de la pistola rociadora y de la unidad.
2. Bloquee la pistola rociadora activando el seguro del gatillo.
3. Retire la boquilla reversible de la cubierta de la boquilla y límpiela con un solvente de limpieza adecuado y una brocha de cerdas suaves hasta quitar todos los residuos de pintura.
4. Coloque la boquilla reversible en la posición de rociado y vuelva a colocar la cubierta de la boquilla.





4.5 DESOBSTRUCCIÓN DE LA BOQUILLA REVERSIBLE (SÓLO PARA EL MODELO 2404548)

1. Libere la presión de la pistola rociadora y de la unidad.
2. Bloquee la pistola rociadora activando el seguro del gatillo.
3. Coloque la boquilla reversible en posición de "limpieza".



4. Quite el seguro del gatillo y presione el gatillo brevemente la pistola rociadora sobre un trozo de madera o cartón. Esto debería desbloquear cualquier tipo de obstrucción que tenga la boquilla.
5. Bloquee la pistola rociadora activando el seguro del gatillo.
6. Coloque la boquilla reversible en posición de "rociado".
7. Quite el seguro del gatillo y rocíe.

5 LIMPIEZA

	<p>Antes de limpiar o realizar cualquier tipo de mantenimiento, libere la presión del sistema y de la pistola rociadora.</p> <p>Utilice únicamente el solvente de limpieza que recomienda el fabricante del material.</p> <p>Nunca rocíe dentro de conductos cerrados (podría crear una combinación explosiva de gas y aire).</p>
	<p>No sumerja la pistola rociadora en solvente.</p>

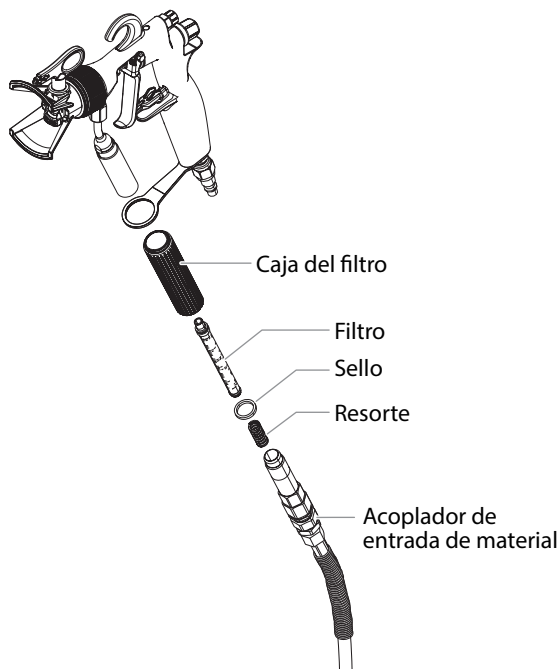
5.1 LIMPIEZA DIARIA

1. Libere la presión de la pistola rociadora y de la unidad.
2. Bloquee la pistola rociadora activando el seguro del gatillo.
3. Destornille la cubierta de la boquilla y retire la válvula de aire. Retire la boquilla de la válvula de aire y límpiela por separado (consulte Limpieza / Reemplazo de la Boquilla).
4. Limpie la pistola rociadora minuciosamente con el solvente de limpieza adecuado.
5. Libere la presión de la pistola rociadora y de la unidad.
6. Bloquee la pistola rociadora activando el seguro del gatillo.
7. Limpie el cuerpo de la pistola con un paño humedecido en el solvente de limpieza adecuado. Seque con un paño seco.

6 MANTENIMIENTO

6.1 CAMBIO / LIMPIEZA DEL FILTRO

1. Libere la presión de la pistola rociadora y de la unidad.
2. Bloquee la pistola rociadora activando el seguro del gatillo.
3. Desenrosque a mano la carcasa del filtro y retírela.
4. Extraiga el filtro.
5. Limpie el filtro con un solvente de limpieza o cámbielo por uno nuevo.
6. Limpie la caja del filtro y el acoplador de entrada de material con el solvente de limpieza adecuado.
7. Empuje el extremo del cono del filtro limpio o nuevo dentro de la caja del filtro.
8. Asegúrese de que el resorte y el sello se encuentren en posición en el acoplador de entrada de material y atornille nuevamente el conector de material.



Asegúrese de estar utilizando el filtro correcto para la boquilla y el material que está utilizando (consulte la "Tabla de Filtros para la Pistola" y la "Tabla de Boquillas AirCoat").

6.2 TABLA DE FILTROS PARA LA PISTOLA

Número de pieza	Para los tamaños la puntas	Malla del filtro	Color del cuerpo de filtro
0089960 (2 pk)	0,007" - 0,011"	180	Rojo
0089959 (2 pk)	0,013" - 0,015"	100	Amarillo
0089958 (2 pk)	0,018" - 0,036"	50	Blanco

7 SOLUCIÓN DE PROBLEMAS

PROBLEMA

A. Suministro insuficiente de material.

B. Modalidad de rociado deficiente.

C. Fugas de la válvula de aire.

CAUSA

1. Presión del material demasiado baja.
 2. Filtro de la pistola rociadora o filtro de alta presión de la bomba bloqueado.
 3. Boquilla bloqueada.
 4. Boquilla demasiado pequeña.
-
1. Boquilla demasiado grande.
 2. La presión del material en la bomba es demasiado baja.
 3. La viscosidad del material es demasiado alta.
 4. El aire de atomización está regulado incorrectamente.
-
5. Boquilla gastada.
-
1. Sello de la válvula de aire dañado.

SOLUCIÓN

1. Aumente la presión del material en la bomba.
 2. Limpie o reemplace el filtro de la pistola y/o el filtro de alta presión de la bomba.
 3. Limpie la boquilla.
 4. Elija una boquilla más grande (consulte la Tabla de Boquillas AirCoat).
-
1. Elija una boquilla más pequeña (consulte la Tabla de Boquillas AirCoat).
 2. Aumente la presión del material en la bomba.
 3. Diluya el material siguiendo las instrucciones del fabricante del material.
 4. Ajuste el aire de atomización con la perilla de ajuste del aire de la pistola o el regulador de presión del compresor.
 5. Reemplácela por una boquilla nueva.
-
1. Reemplace el sello de la válvula de aire (consulte el procedimiento de "Reparación de Sellos de las Válvulas de Aire" en la sección Mantenimiento).

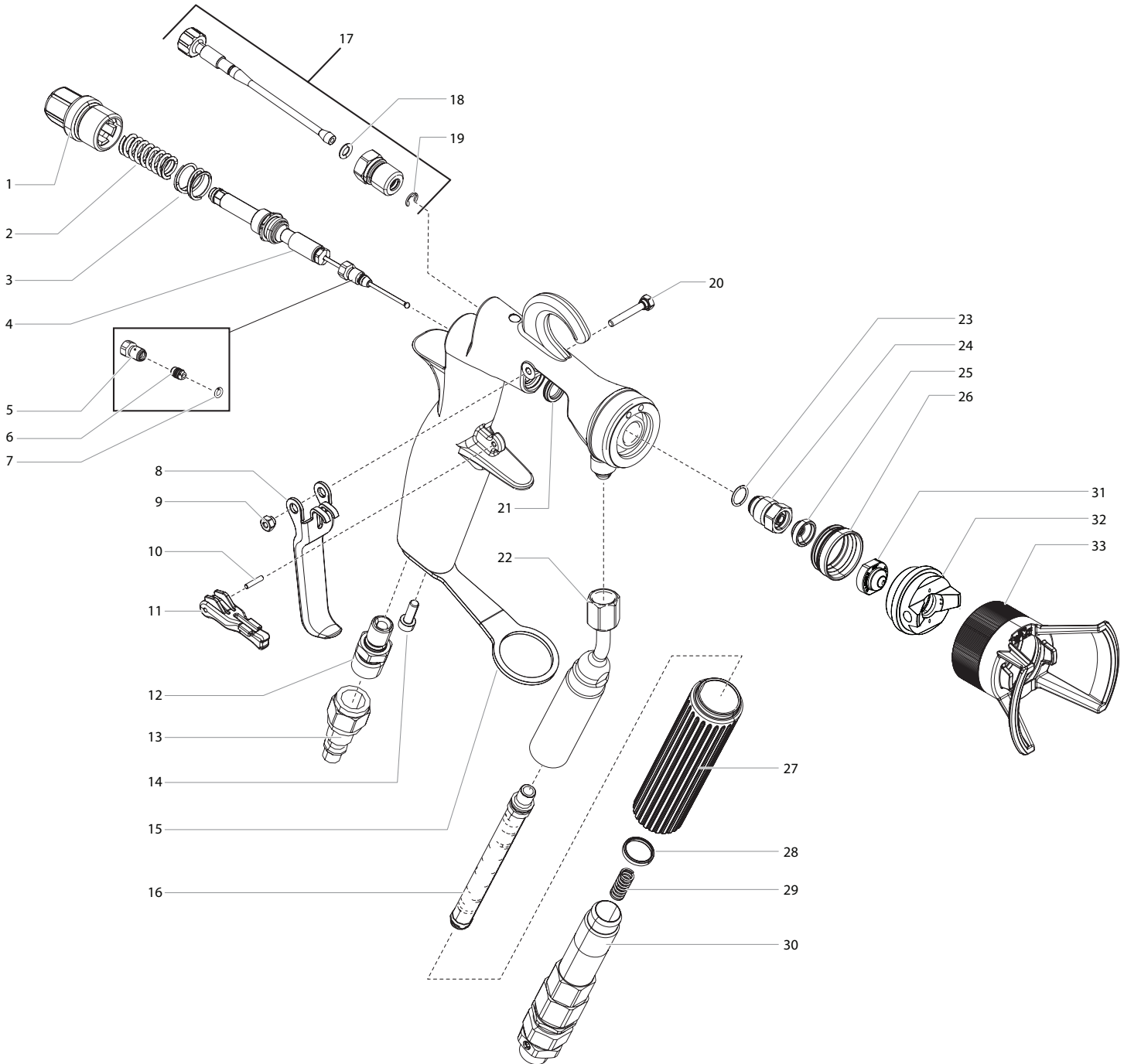
CUADRO DE PIEZAS DE RECAMBIO

EN FLAT TIP SPRAY GUN

F PISTOLET À BUSE PLATE

ES PISTOLA ROCIADORA CON BOQUILLA FIJA

P/N 2412194



#	GM 3600	English Description	Français Description	Español Descripción	Qty. Qte. Cant.
1	286480	Rear cap	Obturateur arrière	Tapón posterior	1
2	9894283	Spring	Ressort	Resorte	1
3	9894282	Spring	Ressort	Resorte	1
4	2311320	Gun packing kit (includes items 5-7)	Trousse de garniture d'étanchéité du pistolet (comprend les pièces 5 à 7)	Kit de empaquetadura de la pistola (incluye elementos 5 a 7)	1
5	-----	Fitting	Raccord	Conector	1
6	-----	Gasket	Joint	Junta	1
7	-----	O-ring	Joint torique	Junta torico	1
8	286476	Trigger	Détente	Gatillo	1
9	286484	Nut	Écrou	Tuerca	1
10	9832127	Pin	Goupille	Pasador	1
11	286474	Trigger lock	Verrou de détente	Seguro del gatillo	1
12	394612	Fitting	Raccord	Conector	1
13	508422	Air fitting	Raccord d'air	Conector de aire	1
14	9805405	Screw	Vis	Tornillo	1
15	286475	Support bracket	Support	Soporte de apoyo	1
16	089959	Filter, 100 mesh, yellow	Filtre, 100 mailles, jaune	Filtro, malla 100, amarillo	1
17	2369296	Air valve assembly (includes item 18-19)	Ensemble de soupape d'air (comprend les pièces 18-19)	Conjunto de válvula de aire (incluye los elementos 18-19)	1
18	286491	O-ring	Joint torique	Junta torico	1
19	9822555	Clip	Agrafe	Sujetador	1
20	286483	Screw	Vis	Tornillo	1
21	286481	Seal	Joint d'étanchéité	Sello	1
22	286238	Filter housing	Logement de filtre	Alojamiento del filtro	1
23	286462	O-ring	Joint torique	Junta torico	1
24	286233	Valve seat housing	Logement de siège de soupape	Alojamiento de asiento de válvula	1
25	286479	Seal	Joint d'étanchéité	Sello	1
26	286478	Tip gasket	Joint de buse	Junta de boquilla	1
27	286492	Filter body	Corps du filtre	Cuerpo del filtro	1
28	286490	Seal	Joint d'étanchéité	Sello	1
29	043590	Spring	Ressort	Resorte	1
30	538205	Swivel fitting	Raccord pivotant	Conector giratorio	1
31	526209	AirCoat tip ACF 9/20 (see page 36 for Flat Tip Chart)	Buse à jet porté ACF 9/20 (voir le Tableau des buses plates à la page 36)	Boquilla AirCoat ACF 9/20 (consulte la Tabla de Boquillas Fijas en la página 36)	1
32	-----	Air cap	Bouchon d'air	Tapa de aire	1
33	-----	Tip guard	Protecteur de buse	Cubierta de la boquilla	1
	394962	Tip guard with air cap (includes item 32 and 33)	Protecteur de buse avec bouchon d'air (comprend l'article 32 et 33)	Cubierta de la boquilla con tapa de aire (incluye la articulo 32 y 33)	1

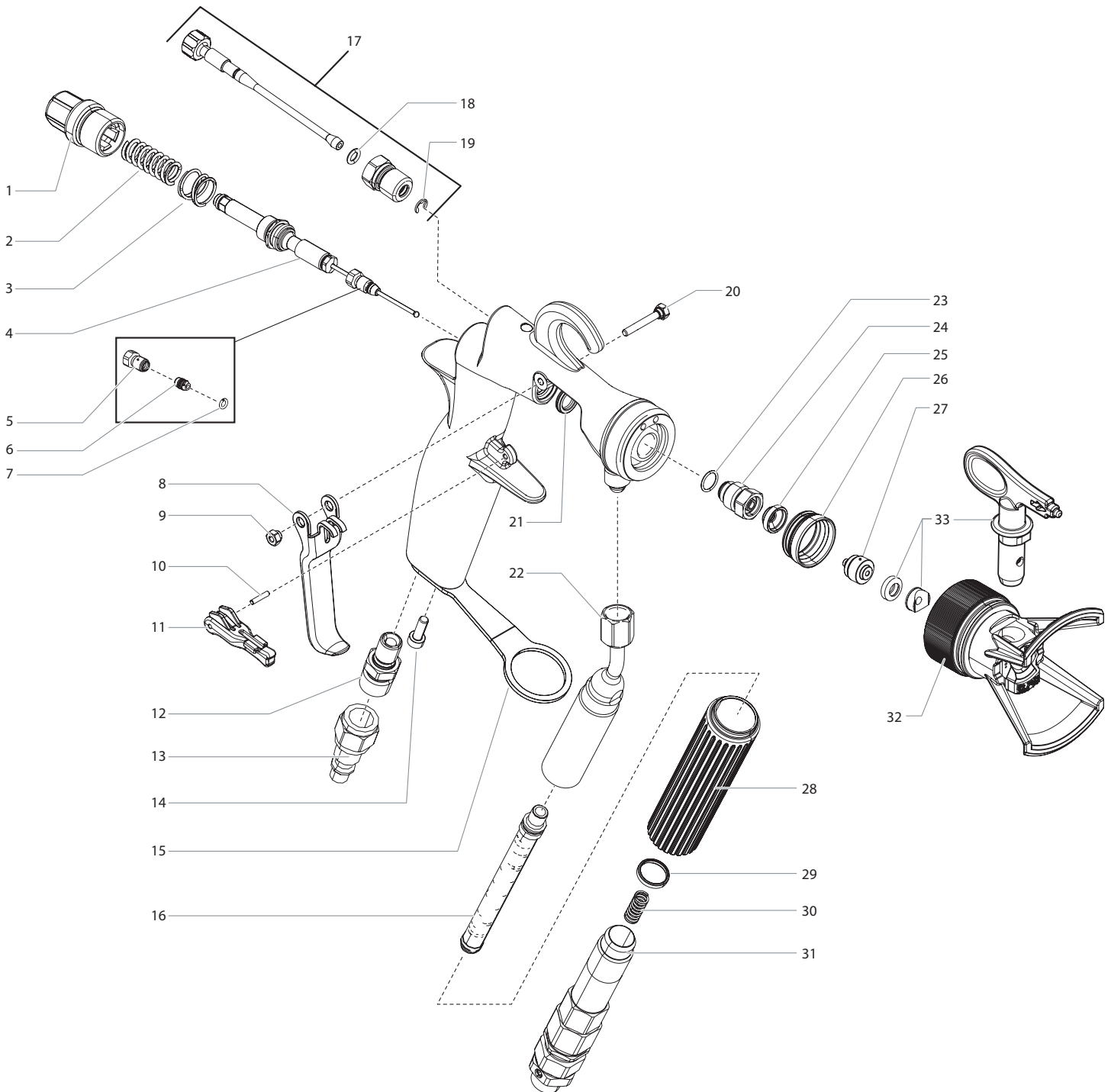
CUADRO DE PIEZAS DE RECAMBIO

EN REVERSIBLE TIP SPRAY GUN

F PISTOLET À BUSE RÉVERSIBLE

ES PISTOLA ROCIADORA CON BOQUILLA REVERSIBLE

P/N 2404548



#	GM 3600	English Description	Français Description	Español Descripción	Qty. Qte. Cant.
1	286480	Rear cap	Obturateur arrière	Tapón posterior	1
2	9894283	Spring	Ressort	Resorte	1
3	9894282	Spring	Ressort	Resorte	1
4	2311320	Gun packing kit (includes items 5-7)	Trousse de garniture d'étanchéité du pistolet (comprend les pièces 5 à 7)	Kit de empaquetadura de la pistola (incluye elementos 5 a 7)	1
5	-----	Fitting	Raccord	Conector	1
6	-----	Gasket	Joint	Junta	1
7	-----	O-ring	Joint torique	Junta torico	1
8	286476	Trigger	Détente	Gatillo	1
9	286484	Nut	Écrou	Tuerca	1
10	9832127	Pin	Goupille	Pasador	1
11	286474	Trigger lock	Verrou de détente	Seguro del gatillo	1
12	349612	Fitting	Raccord	Conector	1
13	508422	Air fitting	Raccord d'air	Conector de aire	1
14	9805405	Screw	Vis	Tornillo	1
15	286475	Support bracket	Support	Soporte de apoyo	1
16	089959	Filter, 100 mesh, yellow	Filtre, 100 mailles, jaune	Filtro, malla 100, amarillo	1
17	2369296	Air valve assembly (includes item 18-19)	Ensemble de soupape d'air (comprend les pièces 18-19)	Conjunto de válvula de aire (incluye los elementos 18-19)	1
18	286491	O-ring	Joint torique	Junta torico	1
19	9822555	Clip	Agrafe	Sujetador	1
20	286483	Screw	Vis	Tornillo	1
21	286481	Seal	Joint d'étanchéité	Sello	1
22	286238	Filter housing	Logement de filtre	Alojamiento del filtro	1
23	286462	O-ring	Joint torique	Junta torico	1
24	286233	Valve seat housing	Logement de siège de soupape	Alojamiento de asiento de válvula	1
25	286479	Seal	Joint d'étanchéité	Sello	1
26	286478	Tip gasket	Joint de buse	Junta de boquilla	1
27	394608	Seal	Joint d'étanchéité	Sello	
28	286492	Filter body	Corps du filtre	Cuerpo del filtro	1
29	286490	Seal	Joint d'étanchéité	Sello	1
30	043590	Spring	Ressort	Resorte	1
31	538205	Swivel fitting	Raccord pivotant	Conector giratorio	1
32	394965	Tip guard	Protecteur de buse	Cubierta de la boquilla	1
33	695-415	Spray tip, TR-1 415 (sold separately; see page 37 for complete Titan tip listings)	Buse de pistolet, TR-1 415 (vendu séparément; voir la liste des buses réversibles de Titan à la page 37)	Boquilla rociadora, TR-1 415 (se vende por separado; consulte la lista de boquillas reversibles de Titan en la página 37)	1

CUADRO DE PIEZAS DE RECAMBIO

EN FLAT TIP CHART

F TABLEAU DES BUSES PLATES

ES TABLA DE BOQUILLAS FIJAS

Part Number	Designation	Orifice Diameter (in.)	Angle	Recommended Filter
0526209	9/20	0.009	20	180 Mesh Filter (red)
0526409	9/40	0.009	40	
0526111	11/10	0.011	10	100 Mesh Filter (yellow)
0526211	11/20	0.011	20	
0526411	11/40	0.011	40	
0526113	13/10	0.013	10	
0526213	13/20	0.013	20	50 Mesh Filter (white)
0526413	13/40	0.013	40	
0526115	15/10	0.015	10	
0526215	15/20	0.015	20	
0526415	15/40	0.015	40	
0526217	17/20	0.017	20	
0526417	17/40	0.017	40	

No de pièce	Désignation	Diamètre de l'orifice (in.)	Angle	Filtre recommandé
0526209	9/20	0.009	20	Filtre, 180 mailles (rouge)
0526409	9/40	0.009	40	
0526111	11/10	0.011	10	Filtre, 100 mailles (jaune)
0526211	11/20	0.011	20	
0526411	11/40	0.011	40	
0526113	13/10	0.013	10	
0526213	13/20	0.013	20	Filtre, 50 mailles (blanc)
0526413	13/40	0.013	40	
0526115	15/10	0.015	10	
0526215	15/20	0.015	20	
0526415	15/40	0.015	40	
0526217	17/20	0.017	20	
0526417	17/40	0.017	40	

Número de Pieza	Designación	Diámetro del Orificio (in.)	Ángulo	Filtro Recomendado
0526209	9/20	0.009	20	Filtro de Malla 180 (rojo)
0526409	9/40	0.009	40	
0526111	11/10	0.011	10	Filtro de Malla 100 (amarillo)
0526211	11/20	0.011	20	
0526411	11/40	0.011	40	
0526113	13/10	0.013	10	
0526213	13/20	0.013	20	Filtro de Malla 50 (blanco)
0526413	13/40	0.013	40	
0526115	15/10	0.015	10	
0526215	15/20	0.015	20	
0526415	15/40	0.015	40	
0526217	17/20	0.017	20	
0526417	17/40	0.017	40	

EN REVERSIBLE AIRLESS SPRAY TIP

F BUSE RÉVERSIBLE SANS AIR

ES BOQUILLA ROCIADORA SIN AIRE REVERSIBLE

DESCRIPTION	PART NUMBER	ORDER INSTRUCTIONS
TR-1 Reversible Tip	695-XXX	Order by using prefix 695-, then the tip size for last three digits. TR-1 Tip Sizes: 209, 211, 213, 215, 217, 311, 313, 315, 317, 411, 413, 415, 417, 513, 515, 517, 521, 525, 627
SC-6 Reversible Tip	661-XXX	Order by using prefix 661-, then the tip size for the last three digits
SC-6 Fine Finish Tip	671-XXX	Order by using prefix 671-, then the tip size for last three digits. Fine Finish Tip Sizes: 208, 210, 212, 214, 308, 310, 312, 314, 408, 410, 412, 414, 510, 512, 514, 612, 614

DESCRIPTION	NO DE PIÈCE	DIRECTIVES DE COMMANDE
Buse réversible TR-1	695-XXX	Commandez en utilisant le préfixe 695-, suivi de la taille de la buse (trois derniers chiffres). Tailles de buse réversible : 209, 211, 213, 215, 217, 311, 313, 315, 317, 411, 413, 415, 417, 513, 515, 517, 521, 525, 627
Buse réversible SC-6	661-XXX	Commandez en utilisant le préfixe 661-, suivi de la taille de la buse (trois derniers chiffres).
Buse à fini fin SC-6	671-XXX	Commandez en utilisant le préfixe 671-, suivi de la taille de la buse (trois derniers chiffres). Tailles de buse à fini fin : 208, 210, 212, 214, 308, 310, 312, 314, 408, 410, 412, 414, 510, 512, 514, 612, 614

DESCRIPCIÓN	PIEZA #	INSTRUCCIONES PARA ORDENAR
Boquilla Reversible SC-6	695-XXX	Ordene utilizando el prefijo 671- y luego los últimos tres dígitos del tamaño de la boquilla. Tamaños de Boquillas Reversible: 209, 211, 213, 215, 217, 311, 313, 315, 317, 411, 413, 415, 417, 513, 515, 517, 521, 525, 627
Boquilla Reversible SC-6	661-XXX	Ordene utilizando el prefijo 661- y luego los últimos tres dígitos del tamaño de la boquilla.
Boquilla de Acabado Fino SC-6	671-XXX	Ordene utilizando el prefijo 671- y luego los últimos tres dígitos del tamaño de la boquilla. Tamaños de Boquillas de Acabado Fino: 208, 210, 212, 214, 308, 310, 312, 314, 408, 410, 412, 414, 510, 512, 514, 612, 614.

WARRANTY

Titan Tool, Inc., ("Titan") warrants that at the time of delivery to the original purchaser for use ("End User"), the equipment covered by this warranty is free from defects in material and workmanship. With the exception of any special, limited, or extended warranty published by Titan, Titan's obligation under this warranty is limited to replacing or repairing without charge those parts which, to Titan's reasonable satisfaction, are shown to be defective within twelve (12) months after sale to the End User. This warranty applies only when the unit is installed and operated in accordance with the recommendations and instructions of Titan.

This warranty does not apply in the case of damage or wear caused by abrasion, corrosion or misuse, negligence, accident, faulty installation, substitution of non-Titan component parts, or tampering with the unit in a manner to impair normal operation.

Defective parts are to be returned to an authorized Titan sales/service outlet. All transportation charges, including return to the factory, if necessary, are to be borne and prepaid by the End User. Repaired or replaced equipment will be returned to the End User transportation prepaid.

THERE IS NO OTHER EXPRESS WARRANTY. TITAN HEREBY DISCLAIMS ANY AND ALL IMPLIED WARRANTIES INCLUDING, BUT NOT LIMITED TO, THOSE OF MERCHANTABILITY AND FITNESS FOR A PARTICULAR PURPOSE, TO THE EXTENT PERMITTED BY LAW. THE DURATION OF ANY IMPLIED WARRANTIES WHICH CANNOT BE DISCLAIMED IS LIMITED TO THE TIME PERIOD SPECIFIED IN THE EXPRESS WARRANTY. IN NO CASE SHALL TITAN LIABILITY EXCEED THE AMOUNT OF THE PURCHASE PRICE. LIABILITY FOR CONSEQUENTIAL, INCIDENTAL OR SPECIAL DAMAGES UNDER ANY AND ALL WARRANTIES IS EXCLUDED TO THE EXTENT PERMITTED BY LAW.

TITAN MAKES NO WARRANTY AND DISCLAIMS ALL IMPLIED WARRANTIES OF MERCHANTABILITY AND FITNESS FOR A PARTICULAR PURPOSE WITH RESPECT TO ACCESSORIES, EQUIPMENT, MATERIALS OR COMPONENTS SOLD BUT NOT MANUFACTURED BY TITAN. THOSE ITEMS SOLD, BUT NOT MANUFACTURED BY TITAN (SUCH AS GAS ENGINES, SWITCHES, HOSES, ETC.) ARE SUBJECT TO THE WARRANTY, IF ANY, OF THEIR MANUFACTURER. TITAN WILL PROVIDE THE PURCHASER WITH REASONABLE ASSISTANCE IN MAKING ANY CLAIM FOR BREACH OF THESE WARRANTIES.

GARANTIE

Titan Tool, Inc. ("Titan") garantit qu'au moment de la livraison à l'acheteur initial ("Utilisateur"), l'appareil couvert par la présente garantie sera exempt de défauts de matériaux et de fabrication. Exception faite de toute garantie particulière ou limitée et de toute extension de garantie publiées par Titan, la responsabilité de celui-ci se limite, en vertu de la présente garantie, au remplacement ou à la réparation sans frais des pièces dont le caractère défectueux aura été démontré de manière satisfaisante pour Titan, dans un délai de douze (12) mois après la date d'achat par l'Utilisateur. Cette garantie ne sera applicable que si l'appareil a été installé et utilisé conformément aux recommandations et directives de Titan.

Cette garantie ne sera pas applicable dans les cas d'endommagement ou d'usure dus à l'abrasion, la corrosion, un mauvais usage, la négligence, un accident, une installation incorrecte, un remplacement par des composants non fournis par Titan ou toute autre intervention non autorisée de nature à nuire au fonctionnement normal de l'appareil.

Les pièces défectueuses devront être envoyées à un centre de service / vente Titan autorisé. Les frais de transport couvrant y compris le retour à l'usine, seront, le cas échéant, prépayés par l'Utilisateur. Après réparation ou remplacement, les pièces seront renvoyées à ce dernier par transport prépayé.

AUCUNE AUTRE GARANTIE EXPRESSE N'EST ACCORDÉE. TITAN REJETTE TOUTE AUTRE GARANTIE IMPLICITE Y COMPRIS, NOTAMMENT, LES GARANTIES DE QUALITÉ MARCHANDE ET DE COMPATIBILITÉ AVEC UN USAGE PARTICULIER, DANS LES LIMITES PERMISES PAR LA LOI.

LA DURÉE DES GARANTIES IMPLICITES NE POUVANT FAIRE L'OBJET D'UNE RENONCIATION SE LIMITE À LA PÉRIODE INDIQUÉE DANS LA GARANTIE EXPRESSE.

LA RESPONSABILITÉ DE TITAN NE SAURAIT EN AUCUN CAS ÊTRE ENGAGÉE POUR UN MONTANT SUPÉRIEUR À CELUI DU PRIX D'ACHAT. TITAN EXCLUT TOUTE RESPONSABILITÉ RELATIVE AUX DOMMAGES INDIRECTS, ACCESSOIRES OU PARTICULIERS, DANS LES LIMITES PRÉVUES PAR LA LOI.

TITAN NE DONNE AUCUNE GARANTIE ET DÉCLINE TOUTE GARANTIE IMPLICITE DE QUALITÉ MARCHANDE ET DE COMPATIBILITÉ AVEC UN USAGE PARTICULIER EN CE QUI CONCERNE LES ACCESSOIRES, L'APPAREIL, LES MATÉRIAUX OU LES COMPOSANTS VENDUS MAIS NON FABRIQUÉS PAR TITAN. CES DERNIERS ÉLÉMENTS, VENDUS MAIS NON FABRIQUÉS PAR TITAN (MOTEURS À ESSENCE, COMMUTATEURS, FLEXIBLES, ETC.), SONT SOUMIS, LE CAS ÉCHÉANT, À LA GARANTIE DU FABRICANT. TITAN S'ENGAGE À PORTER ASSISTANCE AUX ACHETEURS, DANS LES LIMITES DU RAISONNABLE, POUR LA CONSTITUTION DE RÉCLAMATIONS RELATIVES AU NON RESPECT DE CES GARANTIES.

GARANTÍA

Titan Tool, Inc., ("Titan") garantiza que al momento de la entrega al comprador original para su uso ("Usuario Final") el equipo que se encuentra bajo la cobertura de esta garantía no presentará defectos de materiales ni de mano de obra. A excepción de cualquier garantía especial, limitada o extendida publicada por Titan, la obligación de Titan según esta garantía se limita el reemplazo o la reparación sin cargo de las piezas, las que según el criterio de Titan se presenten como defectuosas dentro de doce (12) meses después de la venta al Usuario Final. Esta garantía es aplicable sólo cuando la unidad se instala y se hace funcionar de acuerdo con las recomendaciones e instrucciones de Titan.

Esta garantía no se aplica en caso de daño o desgaste provocado por abrasión, corrosión, uso indebido, negligencia, accidente, instalación defectuosa, sustitución de piezas de componentes que no pertenezcan a Titan o la alteración de la unidad de alguna manera que impida su funcionamiento normal.

Las piezas defectuosas se deben devolver a una tienda de ventas/servicio técnico autorizada de Titan. Todos los cargos de transporte, incluido el regreso a la fábrica de ser necesario, deben ser costeados y pagados por adelantado por el Usuario Final. El equipo que se repare o reemplace se devolverá al Usuario Final con los gastos de envío pagados por adelantado.

NO EXISTE OTRA GARANTÍA EXPRESA. POR ESTE MEDIO TITAN NIEGA TODAS LAS GARANTÍAS IMPLÍCITAS, ENTRE LAS QUE SE INCLUYEN, AQUELLAS DE COMERCIABILIDAD Y APTITUD PARA UN FIN EN PARTICULAR DENTRO DE LO QUE PERMITA LA LEY. LA DURACIÓN DE CUALQUIER GARANTÍA IMPLÍCITA QUE NO SE PUEDA NEGAR SE LIMITA AL PERÍODO QUE SE ESPECIFIQUE EN LA GARANTÍA EXPRESA. LA RESPONSABILIDAD DE TITAN NO EXCEDERÁ EN NINGÚN CASO EL VALOR DE LA COMPRA. LA RESPONSABILIDAD POR DAÑOS ESPECIALES, INDIRECTOS O EMERGENTES SEGÚN CUALQUIERA Y TODAS LAS GARANTÍAS ESTÁ EXCLUIDA DENTRO DE LO QUE PERMITA LA LEY.

TITAN NO REALIZA NINGUNA GARANTÍA Y NIEGA TODAS LAS GARANTÍAS IMPLÍCITAS DE COMERCIABILIDAD Y APTITUD PARA UN FIN EN PARTICULAR EN RELACIÓN CON ACCESORIOS, EQUIPOS, MATERIALES O COMPONENTES QUE VENDA, PERO QUE NO FABRIQUE TITAN. ESTOS ARTÍCULOS QUE VENDA, PERO QUE NO FABRIQUE TITAN (TALES COMO MOTORES DE GAS, INTERRUPTORES, MANGUERAS, ETC.) ESTÁN SUJETOS A LA GARANTÍA, DE EXISTIR ALGUNA, DE SU FABRICANTE. TITAN PROPORCIONARÁ UNA ASISTENCIA RAZONABLE AL COMPRADOR PARA REALIZAR CUALQUIER RECLAMACIÓN POR EL INCUMPLIMIENTO DE ESTAS GARANTÍAS.



GM 3600™

UNITED STATES SALES & SERVICE

WEB: www.titantool.com

PHONE: 1-800-526-5362

FAX: 1-800-528-4826

1770 Fernbrook Lane

Minneapolis, MN 55447

INTERNATIONAL

EMAIL: international@titantool.com