



TITAN®

OPERATION MANUAL

ELITE™ 3000

PERMASTROKE TECHNOLOGY™

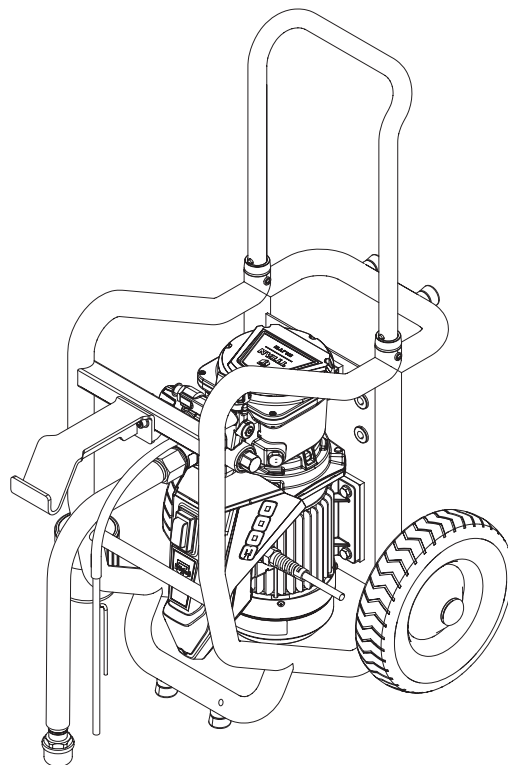
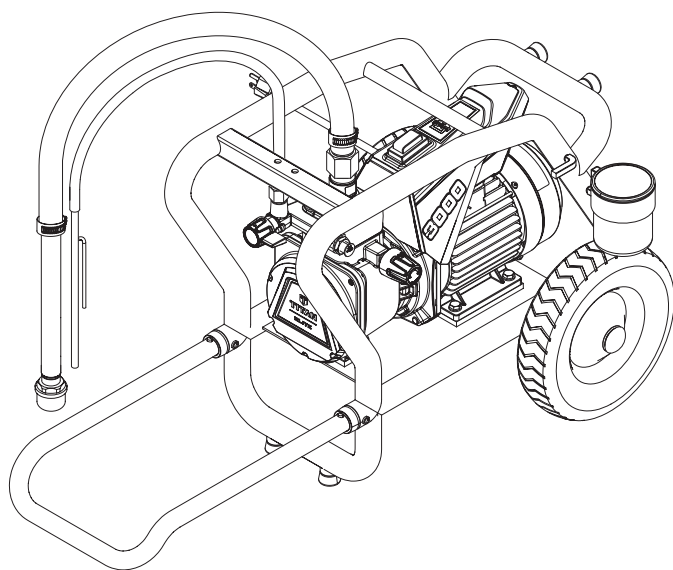
Hydraulic Fluid Displacement Pump System Inside

- EN -	OPERATION MANUAL	2
- F -	MODE D'EMPLOI	26
- ES -	INSTRUCCIONES DE USO	50

HIGH PRESSURE AIRLESS
SPRAYER

GROUPE DE PROJECTION À
HAUTE PRESSION

AIRLESS EQUIPO DE ALTA
PRESIÓN PARA PULVERIZAR



Warning!

Attention: Danger of injury by injection!
Airless units develop extremely high spraying pressures.



1

Never put your fingers, hands or any other parts of the body into the spray jet!

Never point the spray gun at yourself, other persons or animals. Never use the spray gun without safety guard.

Do not treat a spraying injury as a harmless cut. In case of injury to the skin through coating materials or solvents, consult a doctor immediately for quick and expert treatment. Inform the doctor about the coating material or solvent used.

2

The operating instructions state that the following points must always be observed before starting up:

1. Faulty units must not be used.
2. Secure Titan spray gun using the trigger lock on the trigger.
3. Ensure that the unit is properly earthed.
4. Check allowable operating pressure of high-pressure hose and spray gun.
5. Check all connections for leaks.

3

The instructions regarding regular cleaning and maintenance of the unit must be strictly observed.

Before any work is done on the unit or for every break in work the following rules must be observed:

1. Release the pressure from spray gun and hose.
2. Secure the Titan spray gun using the trigger lock on the trigger.
3. Switch off unit.

Be safety conscious!

1	SAFETY REGULATIONS FOR AIRLESS SPRAYING	4	8	CLEANING THE UNIT	17
1.1	Explanation of symbols used	4	8.1	Cleaning the unit from the outside	18
1.2	Grounding instructions	4	8.2	Suction filter	18
1.3	Safety hazards	4	8.3	High-pressure filter	18
1.4	Setup on an uneven surface	7	8.4	Cleaning the Airless spray gun	19
2	OVERVIEW	8	9	SERVICING	19
2.1	Application	8	9.1	General servicing	19
2.2	Coating material	8	9.2	High-pressure hose	19
2.2.1	Coating materials with sharp-edged additional materials	8	10	REPAIRS AT THE UNIT	20
2.2.2	Filtering	8	10.1	Inlet valve pusher	20
2.3	Sprayer configurations	9	10.2	Inlet valve	20
3	DESCRIPTION OF UNIT	10	10.3	Outlet valve	21
3.1	Airless process	10	10.4	Pressure control valve	21
3.2	Functioning of the unit	10	10.5	Replacing the power cable	22
3.3	Explanatory diagram	11	10.6	Typical wear parts	22
3.4	Adjusting the handle	12	10.7	Connection diagram	22
3.5	Technical data	12	10.8	Remedy in case of faults	24
4	STARTUP	13	WARRANTY	25	
4.1	Unit with suction system	13	SPARE PARTS AND ACCESSORIES	74	
4.2	Unit with upper hopper	13	Spare parts list for main assembly	74/75	
4.3	High pressure hose and spray gun	13	Spare parts list for cart assembly	76/77	
4.4	Connection to the mains network	13	Spare parts list for motor / pump assembly	78/79	
4.5	Cleaning preserving agent when starting-up of operation initially	14	Spare parts list for pump assembly	80/81	
4.6	Ventilate unit (hydraulic system) if the sound of inlet valve is not audible	14	Spare parts list for outlet valve assembly	82	
4.7	Taking the unit into operation with coating material	14	Spare parts list for pusher stem assembly	83	
5	SPRAYING TECHNIQUE	15	Spare parts list for flexible suction system	84	
5.1	Cleaning a clogged tip	15	Spare parts list for rigid suction system	85	
6	HANDLING THE HIGH-PRESSURE HOSE	16	Spare parts list for filter assembly (optional)	86	
7	INTERRUPTION OF WORK	16	Spare parts list for hopper (optional)	87	
			ACCESSORIES	88/89	

1 SAFETY REGULATIONS FOR AIRLESS SPRAYING

1.1 EXPLANATION OF SYMBOLS USED

This manual contains information that must be read and understood before using the equipment. When you come to an area that has one of the following symbols, pay particular attention and make certain to heed the safeguard.



→ This symbol indicates a potential hazard that may cause serious injury or loss of life. Important safety information will follow.



→ This symbol indicates a potential hazard to you or to the equipment. Important information that tells how to prevent damage to the equipment or how to avoid causes of minor injuries will follow.



→ Danger of skin injection



→ Danger of fire from solvent and paint fumes



→ Danger of explosion from solvent, paint fumes and incompatible materials



→ Danger of injury from inhalation of harmful vapors



→ Danger of electric shock



→ Notes give important information which should be given special attention.

1.2 GROUNDING INSTRUCTIONS

This product must be grounded. In the event of an electrical short circuit, grounding reduces the risk of electric shock by providing an escape wire for the electric current. This product is equipped with a cord having a grounding wire with an appropriate grounding plug. The plug must be plugged into an outlet that is properly installed and grounded in accordance with all local codes and ordinances.

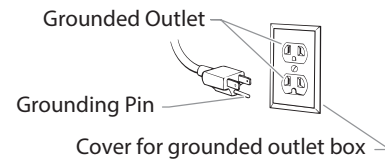


WARNING - Improper installation of the grounding plug can result in a risk of electric shock.

If repair or replacement of the cord or plug is necessary, do not connect the green grounding wire to either flat blade terminal. The wire with insulation having a green outer surface with or without yellow stripes is the grounding wire and must be connected to the grounding pin.

Check with a qualified electrician or serviceman if the grounding instructions are not completely understood, or if you are in doubt as to whether the product is properly grounded. Do not modify the plug provided. If the plug will not fit the outlet, have the proper outlet installed by a qualified electrician.

This product is for use on a nominal 120 volt circuit and has a grounding plug that looks like the plug illustrated below. Make sure that the product is connected to an outlet having the same configuration as the plug. No adapter should be used with this product.



When the sprayer is used with a generator or uncontrolled line voltage, the use of Titan's "Line Surge Protector" (P/N 800-935) is recommended.

IMPORTANT ELECTRICAL INFORMATION



Use only a 3-wire extension cord that has a 3-blade grounding plug and a 3-slot receptacle that will accept the plug on the product.

Make sure your extension cord is in good condition. When using an extension cord, be sure to use one heavy enough to carry the current your product will draw. An undersized cord will cause a drop in line voltage resulting in loss of power and overheating.

A 8 or 10 gauge cord is recommended (see chart). If an extension cord is to be used outdoors, it must be marked with "SJW" or "SJTW". For example, a designation of SJTW would indicate that the cord would be appropriate for outdoor use.

Cord gauge	Maximum cord length
8	150 feet
10	100 feet

1.3 SAFETY HAZARDS



WARNING: INJECTION INJURY

A high pressure stream produced by this equipment can pierce the skin and underlying tissues, leading to serious injury and possible amputation.

Do not treat a spraying injury as a harmless cut. In case of injury to the skin through coating materials or solvents, consult a doctor immediately for quick and expert treatment. Inform the doctor about the coating material or solvent used.

PREVENTION:

- Do not aim the gun at, or spray any person or animal.
- Keep hands and other body parts away from the discharge. For example, do not try to stop leaks with any part of the body.
- NEVER put your hand in front of the gun. Gloves will not provide protection against an injection injury.
- ALWAYS keep the tip guard in place while spraying. The tip guard provides some protection but is mainly a warning device.
- Only use a nozzle tip specified by the manufacturer.
- Use caution when cleaning and changing nozzle tips. In the case where the nozzle tip clogs while spraying, ALWAYS lock gun trigger, shut pump off, and release all pressure before servicing, cleaning tip or guard, or changing tip. Pressure will not be released by turning off the motor. The PRIME/SPRAY valve or pressure bleed valve must be turned to their appropriate positions to relieve system pressure.
- Do not leave the unit energized or under pressure while unattended. When the unit is not in use, turn off the unit and relieve the pressure in accordance with the manufacturer's instructions.
- High-pressure spray is able to inject toxins into the body and cause serious bodily injury. In the event that injection occurs, seek medical attention immediately.
- Check hoses and parts for signs of damage, a leak can inject material into the skin. Inspect hose before each use. Replace any damaged hoses or parts. Only use TITAN original-high-pressure hoses in order to ensure functionality, safety and durability.
- This system is capable of producing 3300 PSI / 228 Bar. Only use replacement parts or accessories that are specified by the manufacturer and that are rated a minimum of 3300 PSI. This includes spray tips, nozzle guards, guns, extensions, fittings, and hose.

- Always engage the trigger lock when not spraying. Verify the trigger lock is functioning properly.
- Verify that all connections are secure before operating the unit.
- Know how to stop the unit and bleed pressure quickly. Be thoroughly familiar with the controls. Pressure will not be released by turning off the motor. The PRIME/SPRAY valve or pressure bleed valve must be turned to their appropriate positions to relieve system pressure.
- Always remove the spray tip before flushing or cleaning the system.



NOTE TO PHYSICIAN: Injection into the skin is a traumatic injury which can lead to possible amputation. It is important to treat the injury as soon as possible. DO NOT delay treatment to research toxicity. Toxicity is a concern with some coatings injected directly into the blood stream. Consultation with a plastic surgeon or reconstructive hand surgeon may be advisable.



WARNING: HIGH PRESSURE HOSE

The paint hose can develop leaks from wear, kinking and abuse. A leak can inject material into the skin. Inspect the hose before each use.

PREVENTION:

- Avoid sharp bending or kinking of the high-pressure hose. The smallest bending radius amounts to about 8" (20 cm).
- Do not drive over the high-pressure hose. Protect against sharp objects and edges.
- Replace any damaged high-pressure hose immediately.
- Never repair damaged high-pressure hoses yourself!
- Electrostatic charging of spray guns and the high-pressure hose is discharged through the high-pressure hose. For this reason the electric resistance between the connections of the high-pressure hose must be equal to or lower than 1MΩ.
- For reasons of function, safety and durability use only original Titan high-pressure hoses.
- Before each use, check all hoses for cuts, leaks, abrasion or bulging of cover. Check for damage or movement of couplings. Immediately replace the hose if any of these conditions exist. Never repair a paint hose. Replace it with another earthed high-pressure hose.
- Make sure power cord, air hose and spray hoses are routed in such a manner to minimize slip, trip and fall hazard.

**WARNING: EXPLOSION OR FIRE**

Flammable vapors, such as solvent and paint vapors, in work area can ignite or explode.

PREVENTION:

- Do not spray flammable or combustible materials near an open flame, pilot lights or sources of ignition such as hot objects, cigarettes, motors, electrical equipment and electrical appliances. Avoid creating sparks from connecting and disconnecting power cords.
- Use extreme caution when using materials with a flashpoint below 100°F (38°C). Flashpoint is the temperature that a fluid can produce enough vapors to ignite.
- Paint or solvent flowing through the equipment is able to result in static electricity. Static electricity creates a risk of fire or explosion in the presence of paint or solvent fumes. All parts of the spray system, including the pump, hose assembly, spray gun and objects in and around the spray area shall be properly grounded to protect against static discharge and sparks. Use only conductive or grounded high-pressure airless paint sprayer hoses specified by the manufacturer.
- Verify that all containers and collection systems are grounded to prevent static discharge.
- Connect to a grounded outlet and use grounded extension cords (electric models only). Do not use a 3 to 2 adapter.
- Do not use a paint or solvent containing halogenated hydrocarbons. Such as chlorine, bleach mildewcide, methylene chloride and trichloroethane. They are not compatible with aluminum. Contact the coating supplier about compatibility of material with aluminum.
- Keep spray area well ventilated. Keep a good supply of fresh air moving through the area to keep the air within the spray area free from accumulation of flammable vapors. Keep pump assembly in well ventilated area. Do not spray pump assembly.
- Do not smoke in the spray area.
- Do not operate light switches, engines, or similar spark producing products in the spray area.
- Keep area clean and free of paint or solvent containers, rags, and other flammable materials.
- Know the contents of the paint and solvents being sprayed. Read all Material Safety Data Sheets (SDS) and container labels provided with the paints and solvents. Follow the paint and solvent manufacture's safety instructions.

- Place pump at least 25 feet (7.62 meters) from the spray object in a well ventilated area (add more hose if necessary). Flammable vapors are often heavier than air. Floor area must be extremely well ventilated. The pump contains arcing parts that emit sparks and can ignite vapors.
- Plastic can cause static sparks. Never hang plastic to enclose spray area. Do not use plastic drop cloths when spraying flammable material.
- Fire extinguisher equipment shall be present and working.

**WARNING: HAZARDOUS VAPORS**

Paints, solvents, and other materials can be harmful if inhaled or come in contact with body. Vapors can cause severe nausea, fainting, or poisoning.

PREVENTION:

- Wear respiratory protection when spraying. Read all instructions supplied with the mask to be sure it will provide the necessary protection.
- All local regulations regarding protection against hazardous vapors must be observed.
- Wear protective eyewear.
- Protective clothing, gloves and possibly skin protection cream are necessary for the protection of the skin. Observe the regulations of the manufacturer concerning coating materials, solvents and cleaning agents in preparation, processing and cleaning units.

**WARNING: GENERAL**

This product can cause severe injury or property damage.

PREVENTION:

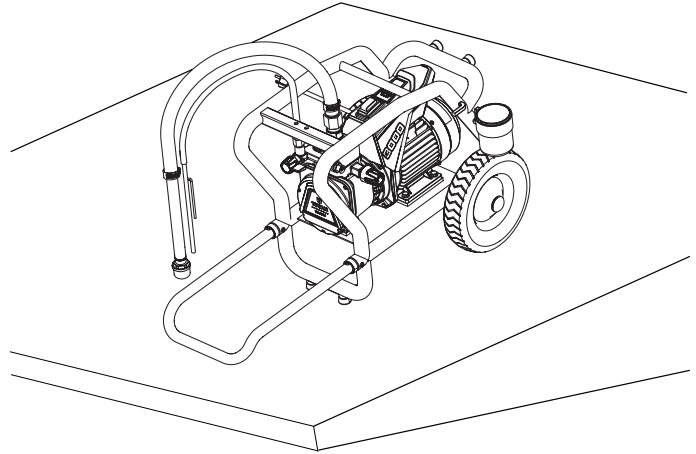
- Always wear appropriate gloves, eye protection, clothing and a respirator or mask when painting.
- Do not operate or spray near children. Keep children away from equipment at all times.
- Do not overreach or stand on an unstable support. Keep effective footing and balance at all times.
- Stay alert and watch what you are doing.
- Do not operate the unit when fatigued or under the influence of drugs or alcohol.
- Do not kink or over-bend the hose. Airless hose can develop leaks from wear, kinking and abuse. A leak can inject material into the skin.
- Do not expose the hose to temperatures or pressures in excess of those specified by manufacturer.

- Do not use the hose as a strength member to pull or lift the equipment.
- Use lowest possible pressure to flush equipment.
- Follow all appropriate local, state and national codes governing ventilation, fire prevention and operation.
- The United States Government Safety Standards have been adopted under the Occupational Safety and Health Act (OSHA). These standards, particularly part 1910 of the General Standards and part 1926 of the Construction Standards should be consulted.
- Before each use, check all hoses for cuts, leaks, abrasion or bulging of cover. Check for damage or movement of couplings. Immediately replace hose if any of those conditions exist. Never repair a paint hose. Replace with a conductive high-pressure hose.
- Do not spray outdoors on windy days.
- Always unplug cord from outlet before working on equipment (electric models only).

1.4 SETUP ON AN UNEVEN SURFACE

The front end must always point downwards in order to avoid sliding away.

If possible do not use the unit on an inclined surface since the unit tends to wander through the resulting vibrations.



2 OVERVIEW

2.1 APPLICATION

Elite 3000 is an electric driven unit for the airless atomization of different painting materials. Also it is able to feed the internal feeded paint roller, which is available as accessory.

Elite 3000 is made for jobs in the workshop and on the building site.

The Elite 3000's device output is designed so that dispersions can be processed indoors and outdoors for small to medium-sized objects.

When painting, the device is suitable for all kinds of typical painting jobs, e.g.:

doors, door frames, balustrades, furniture, woodencladding, fences, radiators (heating) and steel parts.

We recommend using the top container for paintwork.

2.2 COATING MATERIAL

MATERIALS THAT CAN BE SPRAYED

Diluting lacquers and paints or those containing solvents, two-component coating materials, dispersion and latex paints.

No other materials should be used for spraying without TITAN's approval.



Pay attention to the Airless quality of the coating materials to be processed.

The unit is able to process coating materials with up to 20,000 mPas. If highly viscous coating materials cannot be taken in or the performance of the unit is too low, the paint must be diluted in accordance with the manufacturer's instructions.



Attention: Make sure, when stirring up with motor-driven agitators that no air bubbles are stirred in. Air bubbles disturb when spraying and can, in fact, lead to interruption of operation.

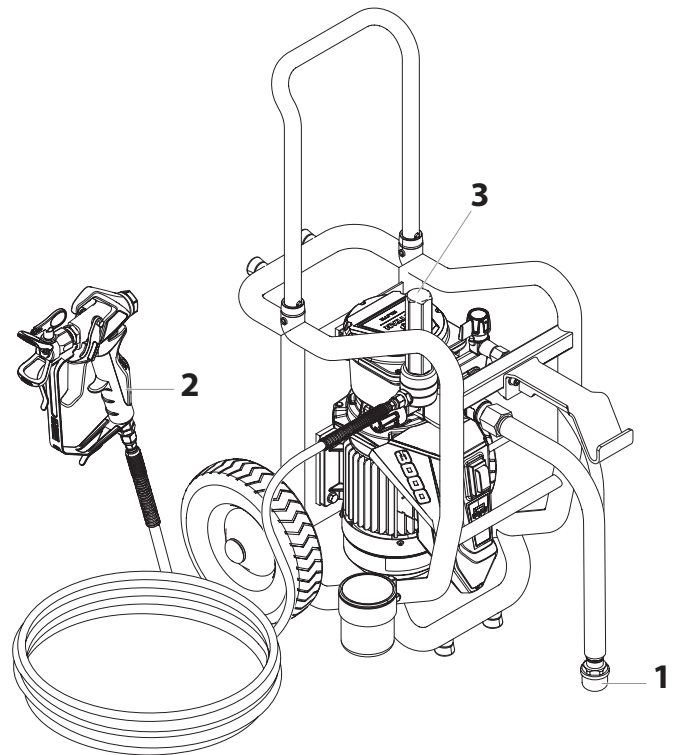
2.2.1 COATING MATERIALS WITH SHARP-EDGED ADDITIONAL MATERIALS

These particles have a strong wear and tear effect on valves and tips, but also on the hose and spray gun. This impairs the durability of these wearing parts considerably.

2.2.2 FILTERING

Sufficient filtering is required for fault-free operation. To this purpose the unit is equipped with a suction filter (Item 1) and an insertion filter in the spray gun (Item 2). Regular inspection of these filters for damage or soiling is urgently recommended.

A high-pressure filter (Item 3) - available as accessory - increases the filtering surface and will provide even better performance.



2.3 SPRAYER CONFIGURATIONS

The Elite 3000 is offered in multiple configurations. It can either be used as a high-cart unit with a rigid suction set (Figure 1) or a low cart unit with a flexible suction set (Figure 2).

i	The drip cup (1) can be oriented accordingly based on the configuration being used.
----------	---

FIGURE 1

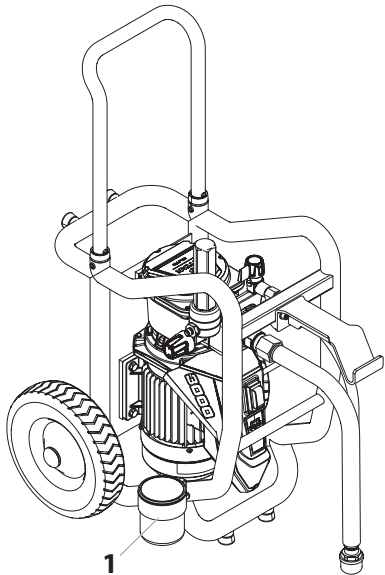
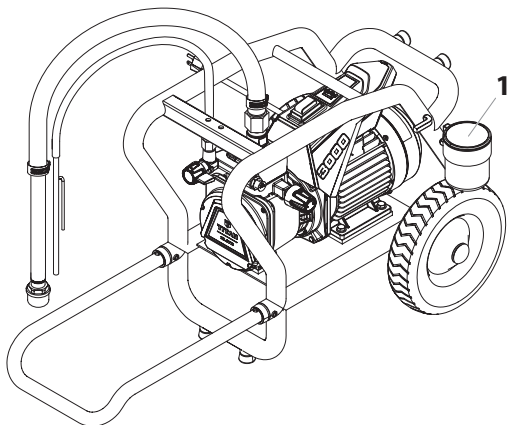


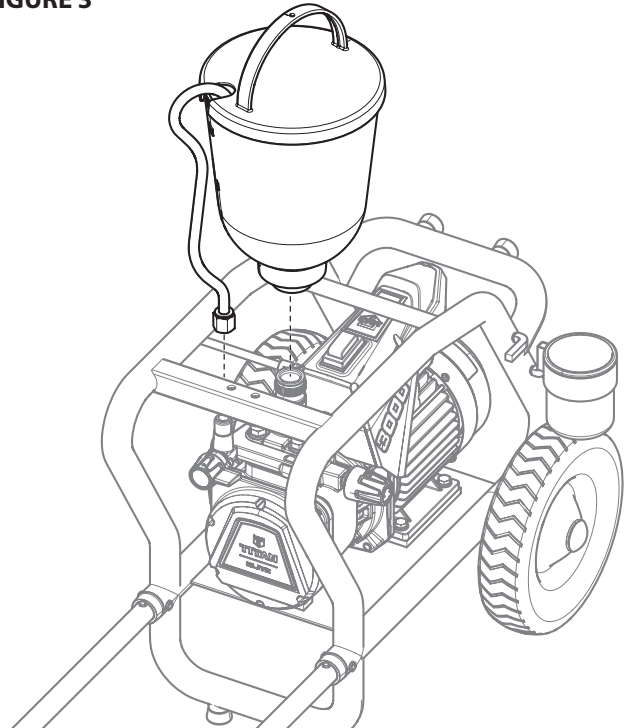
FIGURE 2



TOP-FEED HOPPER ACCESSORY

The low cart configuration can also be used with a top-feed hopper which is available for separate purchase.

FIGURE 3



i	The pail bracket will need to be removed in order to install the hopper to the unit.
----------	--

3 DESCRIPTION OF UNIT

3.1 AIRLESS PROCESS

The main area of application are thick layers of highly viscous coating material.

At the Eite 3000 unit a diaphragm pump takes in the coating materials and transports it via a high-pressure hose to the spray gun with the airless tip. Here the coating material atomizes since it is pressed through the tip core at a maximum pressure of 3300 PSI (22.8 MPa). This high pressure has the effect of micro fine atomisation of the coating material.

As no air is used in this process, it is described as an AIRLESS process.

This method of spraying has the advantages of finest atomisation, cloudless operation (depending of a correct unit adjustment) and a smooth, bubblefree surface. As well as these, the advantages of the speed of work and convenience must be mentioned.

3.2 FUNCTIONING OF THE UNIT

The following section contains a brief description of the technical construction for better understanding of the function:

The Eite 3000 is an electrically driven high-pressure paint spraying equipment.

The electric motor (1) drives the hydraulic pump via planetary gears (2). A piston (3) is moved up and down so that hydraulic oil is moved under the diaphragm (4) which then moves.

In detail:

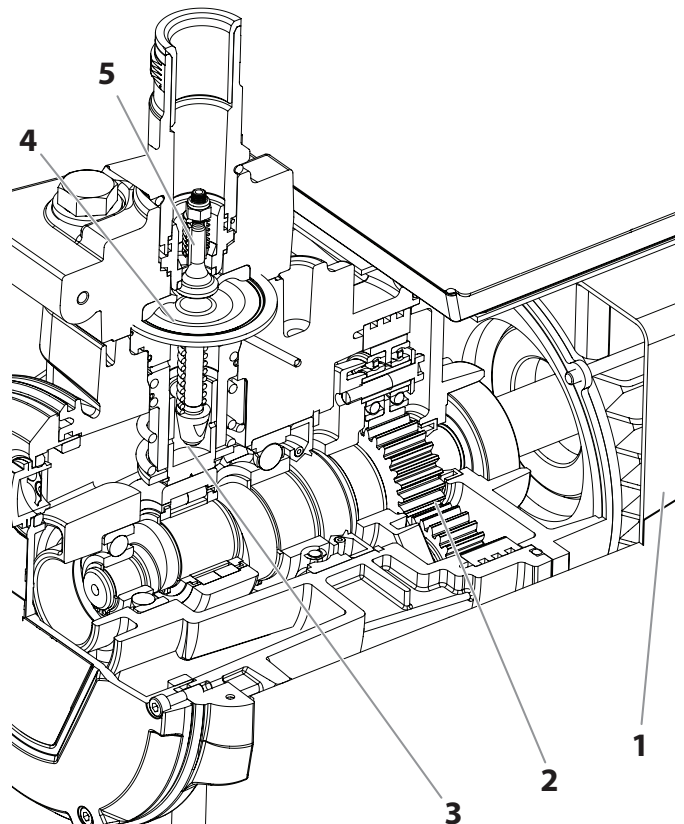
The downwards movement of the machine opens the disk inlet valve (5) automatically and coating material is sucked in.

During the upwards movement of the diaphragm, the coating material is displaced and the outlet valve opens while the inlet valve is closed.

The coating material flows under high pressure through the high-pressure hose to the spray gun and is atomized when it exists from the tip.

The pressure control valve limits the set pressure in the hydraulic oil circuit and thus also the pressure of the coating material.

A pressure change when the same tip is used also leads to a change in the amount of paint atomized.





All information given in this manual applies to all configurations unless otherwise noted.

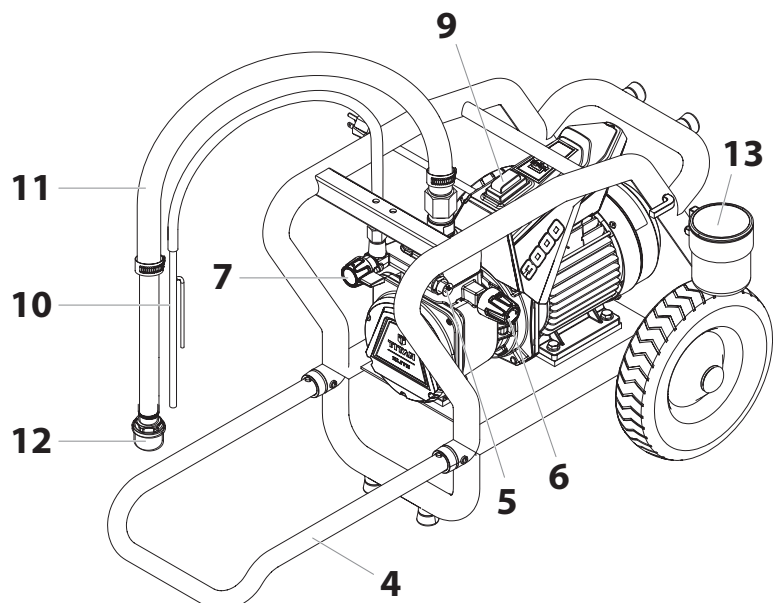
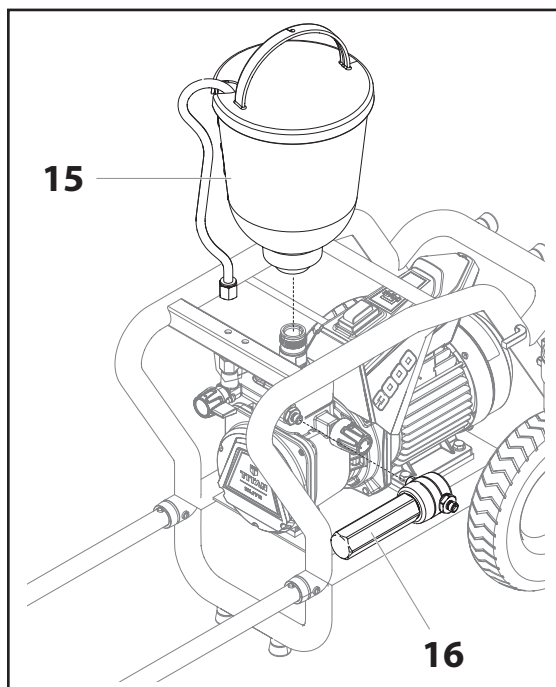
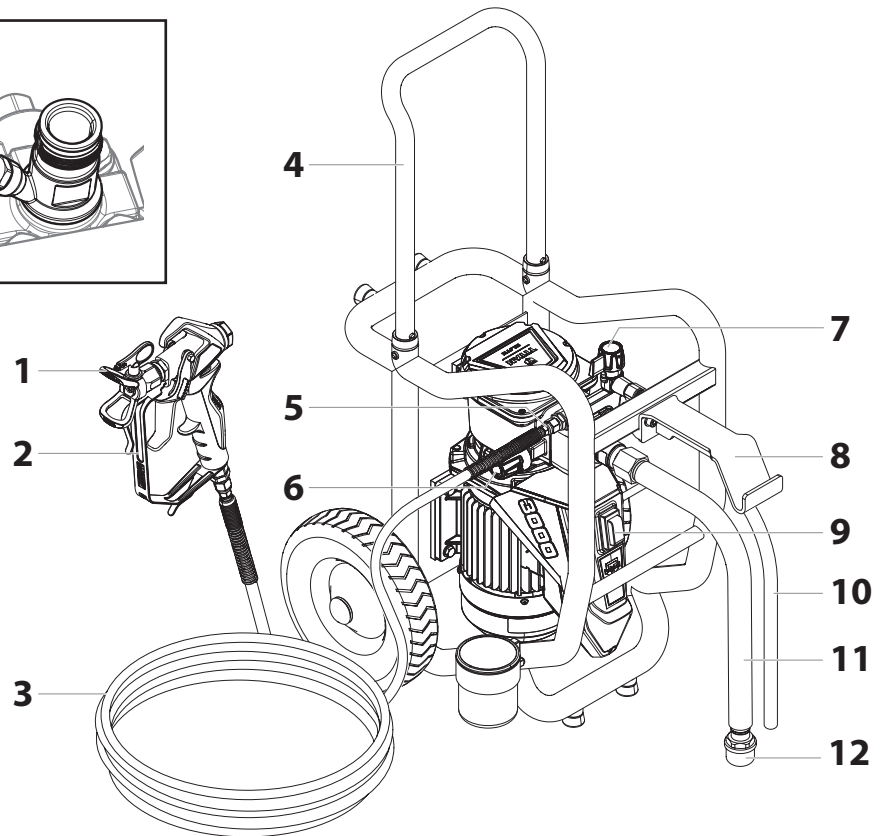
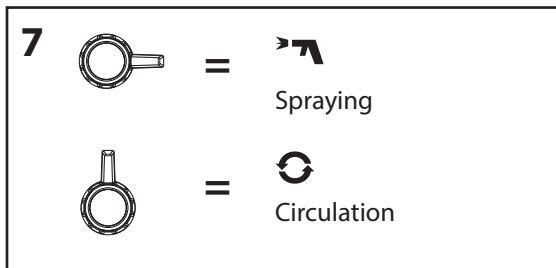
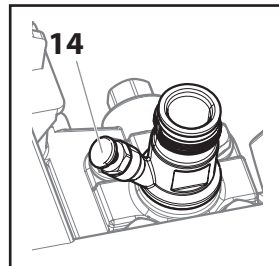
3.3 EXPLANATORY DIAGRAM

INCLUDED:

1. Tip guard with airless tip
2. Spray gun
3. High-pressure hose
4. Extendable handle
5. Spray hose port
6. Pressure control valve
7. Pressure relief valve
8. Pail bracket
9. ON / OFF switch
10. Return hose
11. Suction hose
12. Inlet filter
13. Drip cup
14. Pusher stem

SOLD SEPARATELY:

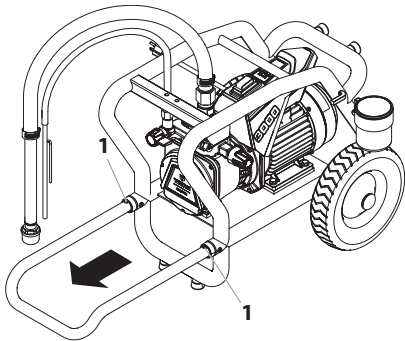
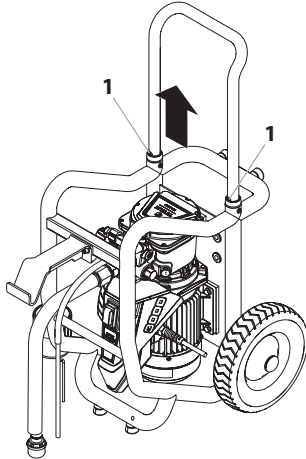
15. Hopper
16. High pressure filter



3.4 ADJUSTING THE HANDLE

The handle can be extended for easier transport. Pull the handle until the snap buttons (1) hold the handle in place.

To retract, push the snap buttons and push the handle back in.



TRANSPORTATION IN A VEHICLE

Secure the unit in the vehicle by means of suitable fasteners.

The device can be placed on its side if necessary. In this case, please ensure that no attachments are damaged.

Attention: Paint or solvent residues can escape from the connections!

3.5 TECHNICAL DATA

Voltage :	120 V AC, 50/60 Hz
Fuses :	16 A time-lag
Power cord length:	6 m long, 3 x 1.5 mm ²
Max. current consumption:	11 A
Rated input of device:	1.3 kW
Max. operating pressure :	3300 PSI (22.8 MPa)
Volume flow at 1800 PSI (120 bar)	0.60 gal/min
Max. tip size:	0.025"
Max. temperature of the coating material :	109°F
Max. viscosity :	20,000 mPas
Empty weight :	90 lbs
Hydraulic oil filling quantity :	
Hydraulics housing	1.3 liter
Gears (grease)	45 g
Max. vibration at the spraygun :	lower than 2.5 m/s ²
Max. sound pressure level:	75 dB (A)*

* Place of measurement: 1 m distance from unit and 1.60 m above floor, 12 MPa (120 bar) operating pressure, reverberant floor

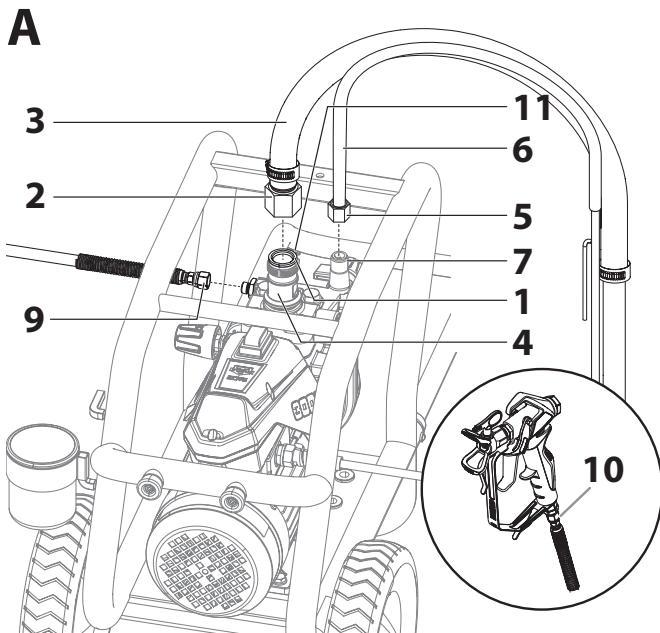
4 STARTUP



Press the inlet valve inside the coating material inlet (4) downwards before starting the operation. This ensures that the valve is not blocked or clogged.

4.1 UNIT WITH SUCTION SYSTEM (A)

1. Ensure that the sealing surfaces of the connections are clean.
Ensure that the red inlet (1) is inserted in the coating material inlet (4).
2. Use the enclosed 41 mm wrench to screw the union nut (2) at the suction hose (3) onto the coating material inlet (4) and tighten it.
3. Screw the union nut (5) at the return hose (6) to the connection (7) (22mm).



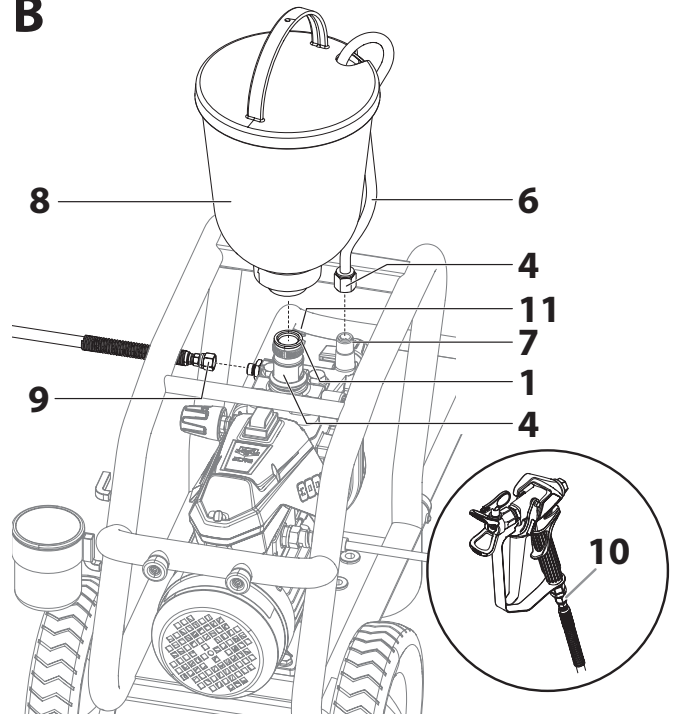
4.2 UNIT WITH OPTIONAL HOPPER (B)



The pail bracket will need to be removed in order to install the hopper to the unit.

1. Ensure that the sealing surfaces of the connections are clean. Ensure that the red inlet (1) is inserted in the coating material inlet (4).
2. Screw the union nut (5) on the return pipe (6) onto the connection (7).
3. Screw the upper hopper (8) onto the coating material inlet (4).

B



4.3 HIGH PRESSURE HOSE AND SPRAY GUN

1. Screw the high pressure hose (9) onto the hose connection
2. Screw the spray gun (10) onto the high pressure hose
3. Tighten all union nuts on high pressure hose so that no coating material can escape.
4. Screw the tip holder with the selected tip onto the spray gun, align tip and tighten union nut.
5. Fully depress the pusher stem (11) to make sure the inlet ball is free.



When unscrewing the high pressure hose, hold firmly on the hose connection with a 22mm wrench.

4.4 CONNECTION TO THE MAINS NETWORK



Connection must always be carried out via an appropriately grounded safety outlet with residual-current-operated circuit-breaker.



Before connecting the unit to the mains supply, ensure that the line voltage matches that specified on the unit's rating plate.

4.5 CLEANING PRESERVING AGENT WHEN STARTING-UP OF OPERATION INITIALLY


UNIT WITH SUCTION TUBE

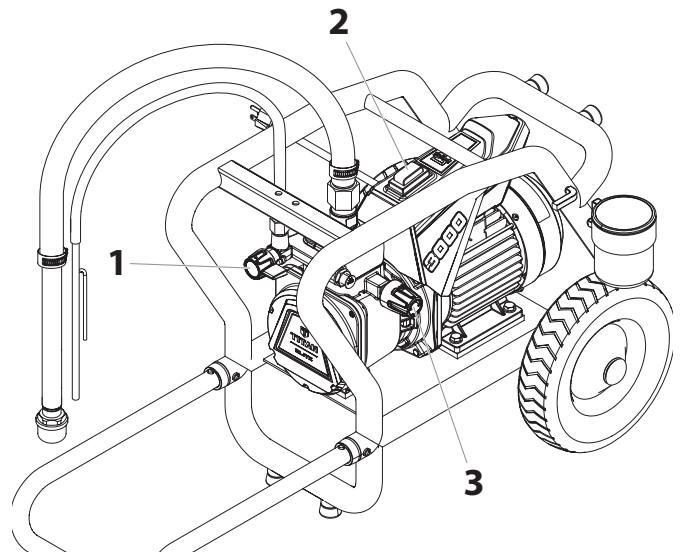
1. Immerse the suction system into a container filled with a suitable cleaning agent (recommendation: water).

UNIT WITH OPTIONAL HOPPER

2. Fill up hopper with a suitable cleaning agent (recommendation: water).
3. Set pressure relief valve (1) to  (circulation).
4. Switch the pump ON (Pos. I) using the ON/OFF switch (2).
5. Slowly turn the pressure control knob (3) clockwise.
6. Wait until you can hear the sound of the inlet valve and cleaning agent flows from the return hose.
7. Turn the pressure control knob (3) back approx. one rotation.
8. Set pressure relief valve (1) to  (spray). Pressure will increase inside the high pressure hose :
9. Point the tip of the spray gun to inner wall of an open and empty metal container and pull the trigger at the spray gun.
10. The pressure is increased by turning the pressure control knob (3) to the right.
11. Spray the cleaning agent out of the unit for approx. 1 - 2 min. (~5 litres) into the open collecting container.

4.6 VENTILATE UNIT (HYDRAULIC SYSTEM) IF THE SOUND OF INLET VALVE IS NOT AUDIBLE

1. Switch the pump ON (Pos. I) using the ON/OFF switch (2).
2. Turn pressure control knob (3) approximately. three times counter-clockwise.
3. Set pressure relief valve (1) to  (circulation). The hydraulic system is ventilated. Leave the pump running for two to three minutes.
4. Then slowly turn pressure control knob (3) clockwise until you can hear the sound of the inlet valve.
5. If not, repeat points 2 and 4.





4.7 TAKING THE UNIT INTO OPERATION WITH COATING MATERIAL

UNIT WITH SUCTION TUBE

1. Immerse the suction system into a container filled with coating material.

UNIT WITH OPTIONAL HOPPER

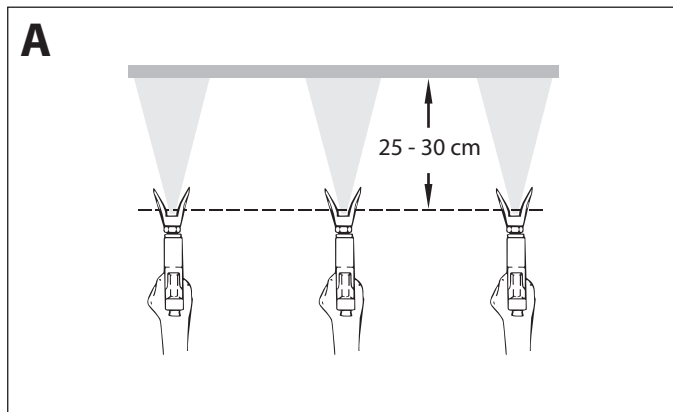
2. Fill coating material into the hopper.
3. Set pressure relief valve (1) to  (circulation).
4. Switch the pump ON (Pos. I) using the ON/OFF switch (2).
5. Slowly turn the pressure control knob (3) clockwise.
When the noise of the valves changes, the unit is bled and takes in coating material.
6. If coating material exits from the return hose, turn the pressure control knob (3) back approx. 1 rotation.
7. Set pressure relief valve (1) to  (spray). Pressure will increase inside the high pressure hose.
8. Pull the trigger of the spray gun and spray into an open and empty container in order to remove the remaining cleaning agent from the unit. When coating materials exits from the tip, close the spray gun.
9. Adjust the spraying pressure by turning the pressure control knob (3).
10. The unit is ready to spray.

5 SPRAYING TECHNIQUE



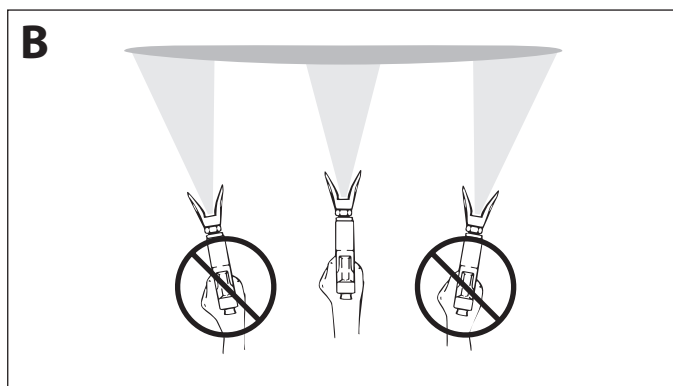
Injection hazard. Do not spray without the tip guard in place. NEVER trigger the gun unless the tip is completely turned to either the spray or the unplug position. ALWAYS engage the gun trigger lock before removing, replacing or cleaning tip.

- A)** The key to a good paint job is an even coating over the entire surface. Keep your arm moving at a constant speed and keep the spray gun at a constant distance from the surface. The best spraying distance is 10-12 inches (25 to 30 cm) between the spray tip and the surface.

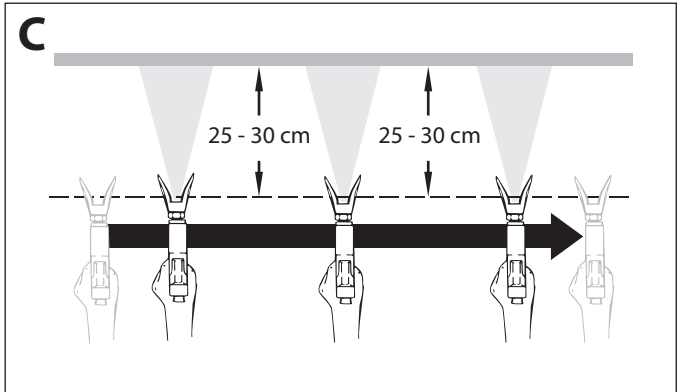


- B)** Keep the spray gun at right angles to the surface. This means moving your entire arm back and forth rather than just flexing your wrist.

Keep the spray gun perpendicular to the surface, otherwise one end of the pattern will be thicker than the other.



- C)** Trigger gun after starting the stroke. Release the trigger before ending the stroke. The spray gun should be moving when the trigger is pulled and released. Overlap each stroke by about 30%. This will ensure an even coating.



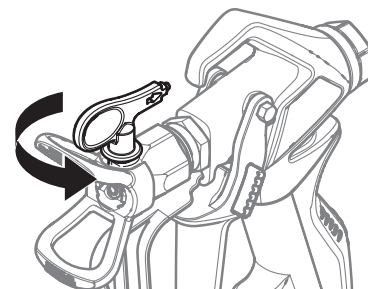
If very sharp edges result or if there are streaks in the spray jet – increase the operating pressure or dilute the coating material.

5.1 CLEANING A CLOGGED TIP



If the spray pattern becomes distorted or stops completely while pulling the trigger, perform the steps below.

1. Turn the relief valve to PRIME (↻ circulation).
2. If the tip clogs, rotate the tip handle 180° until the arrow on the handle is facing the opposite of the spray direction and the handle clicks in the reverse position.
3. Turn the relief valve to SPRAY (↗ spray).



4. Trigger the gun once so that the pressure can blow the clog out. NEVER use the tip in the reverse position for more than ONE trigger pull at a time. This procedure can be repeated until the tip is free of clogging.



The flow from the spray tip is at very high pressure. Contact with any body part may be dangerous. Do not place finger on gun outlet. Do not point the gun at any person. Never operate the spray gun without the proper tip guard.

6 HANDLING THE HIGH-PRESSURE HOSE

The unit is equipped with a high-pressure hose specially suited for diaphragm pumps.



Danger of injury through leaking high-pressure hose. Replace any damaged high-pressure hose immediately.
Never repair defective high-pressure hoses yourself!

The high-pressure hose is to be handled with care. Avoid sharp bends and folds: the smallest bending radius is about 20 cm.

Do not drive over the high-pressure hose. Protect against sharp objects and edges.

Never pull on the high-pressure hose to move the device.

Make sure that the high-pressure hose cannot twist. This can be avoided by using a Titan spray gun with a swivel joint and a hose system.



When using the high-pressure hose while working on scaffolding, it is best to always guide the hose along the **outside** of the scaffolding.



The risk of damage rises with the age of the high-pressure hose.
Titan recommends replacing high-pressure hoses after 6 years.



Only use TITAN original-high-pressure hoses with internal heating in order to ensure functionality, safety and durability.

7 INTERRUPTION OF WORK


1. Set pressure relief valve to (pressure relief, circulation). Switch the pump OFF using the ON/OFF switch (Pos. 0).
2. Pull trigger of the spray gun to decrease the pressure of the high pressure hose and the spray gun.
3. Secure the spray gun trigger, refer to the operating manual of the spray gun.
4. Remove tip from tip holder and store the tip in a small vessel with suitable cleaning agent.
5. Leave the suction system immersed in the coating material or immerse it in the corresponding cleaning agent. The suction filter and unit should not dry out.
6. Cover the material container in order to prevent the paint from drying.



In using quick-drying or two-component coating materials, do not fail to rinse unit through with a suitable cleaning agent during the processing period.



8 CLEANING THE UNIT



A clean state is the best method of ensuring operation without problems. After you have finished spraying, clean the unit. Under no circumstances should coating material dry and harden in the unit. The cleaning agent used for cleaning (only with a flash point above 100°F (38 °C) must be suitable for the coating material used.


	Warm water improves the cleaning effect in the case of water-dilutable coating materials.
---	---


- Secure the spray gun, refer to the operating manual of the spray gun.
- Remove and clean the tip and tip holder.



UNIT WITH SUCTION SYSTEM

1. Set pressure relief valve to  (circulation).
2. Switch the pump ON (Pos. I) using the ON/OFF switch.
3. Remove the suction system from the material container. The return pipe hose remains over the material container until barely any coating material comes out.
4. Immerse the suction system into a container filled with a suitable cleaning agent
5. Turn the pressure control valve back in order to set a minimal spraying pressure.
6. Set pressure relief valve to  (spray).
7. Pull the trigger of the spray gun in order to pump the remaining coating material from the suction hose, high-pressure hose and the spray gun into an open container (if appropriate, increase the pressure at the pressure control valve slowly in order to obtain a higher material flow).



	The container must be earthed in case of coating materials which contain solvents (e.g. by using a metal container).
	Caution! Do not pump or spray in container with small opening (bunghole)! See safety regulations.



8. Set pressure relief valve to  (circulation).
9. Pump suitable cleaning agent in the circuit for several minutes.




	The cleaning effect is increased by alternatively opening and closing the spray gun.
---	--

10. Set pressure relief valve to  (spray).
11. Pump the remaining cleaning agent into an open container until the pump is empty.
12. Set pressure relief valve to  (circulation).
13. Switch the pump OFF using the ON/OFF switch (Pos. 0).



UNIT WITH OPTIONAL HOPPER

1. Set pressure relief valve to  (circulation).
2. Switch the pump ON (Pos. I) using the ON/OFF switch.
3. Turn the pressure control valve back in order to set a minimal spraying pressure.
4. Set pressure relief valve to  (spray).
5. Pull the trigger of the spray gun in order to pump the remaining coating material from the hopper, high-pressure hose and the spray gun into an open container (if appropriate, increase the pressure at the pressure control valve slowly in order to obtain a higher material flow).

	The container must be earthed in case of coating materials which contain solvents (e.g. by using a metal container).
	Caution! Do not pump or spray in container with small opening (bunghole)! See safety regulations.


6. Fill up hopper with suitable cleaning agent.
7. Set pressure relief valve to  (circulation).
8. Pump suitable cleaning agent in the circuit for several minutes.
9. Set pressure relief valve to  (spray).
10. Pump the remaining cleaning agent from the hopper, high-pressure hose and the spray gun into an open container
11. Set pressure relief valve to  (circulation).
12. Switch the pump OFF using the ON/OFF switch (Pos. 0).

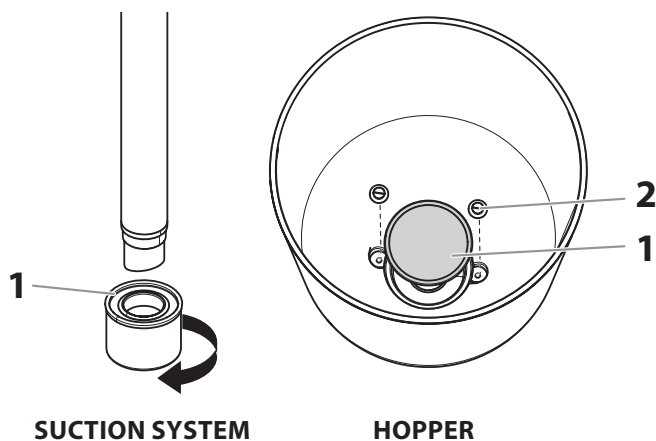
8.1 CLEANING THE UNIT FROM THE OUTSIDE

	<p>Danger of short-circuits caused by water ingress! Never spray down the unit with high-pressure or high-pressure steam cleaners.</p>
 <p>Attention</p>	<p>Do not put the high-pressure hose into solvents. Use only a wet cloth to wipe down the outside of the hose.</p>

Wipe down unit externally with a cloth which has been immersed in a suitable cleaning agent.

8.2 SUCTION FILTER

	<p>Clean filters always ensure maximum volume, constant spray pressure and problem-free functioning of the unit.</p>
--	--




UNIT WITH SUCTION SYSTEM

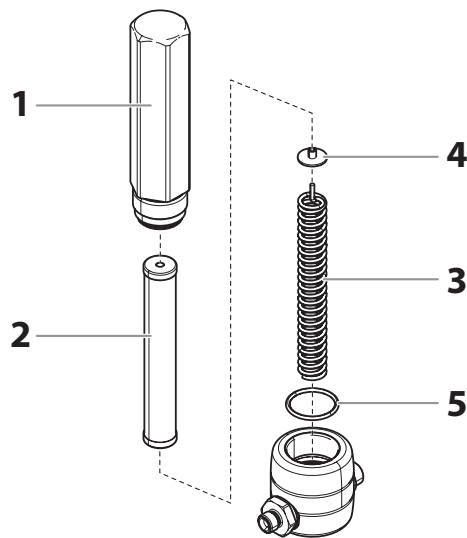
1. Unscrew the filter (Item 1) from the suction tube.
2. Clean or replace the filter.
Carry out cleaning with a hard brush and a corresponding cleaning agent.

UNIT WITH OPTIONAL HOPPER

1. Remove screws with a screwdriver (Item 2).
2. Lift and remove filter disk (1) with a screwdriver
3. Clean or replace the filter disk.
Carry out cleaning with a hard brush and a appropriate cleaning agent.

8.3 HIGH-PRESSURE FILTER (OPTIONAL)

1. Set pressure relief valve to  (pressure relief, circulation).
2. Switch the pump OFF using the ON/OFF switch (Pos. 0).
3. Open the high-pressure filter and clean the filter insert. To do so:
4. Unscrew the filter housing (1) by hand.
5. Remove the filter insert (2) and pull out the bearing spring (3).
6. Clean all the parts with the corresponding cleaning agent. If compressed air is available – blow through the filter insert and bearing spring.
7. When mounting the filter ensure that the bearing ring (4) in the filter insert is positioned correctly and check the O-ring (5) at the filter housing for damage.
8. Screw on the filter housing by hand until it stops (a higher tightening force only impedes later dismantling).



8.4 CLEANING THE AIRLESS SPRAY GUN

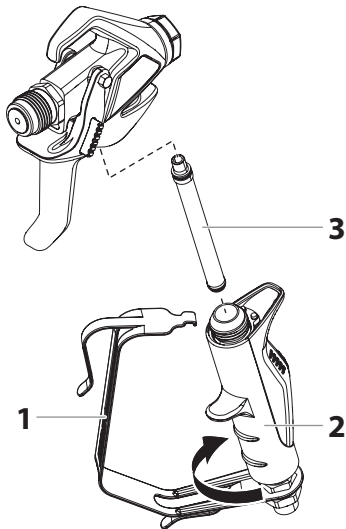


Clean the spray gun after each use.

1. Rinse airless spray gun with an appropriate cleaning agent.
2. Clean tip thoroughly with appropriate cleaning agent so that no coating material residue remains.
3. Thoroughly clean the outside of the airless spray gun.

INTAKE FILTER IN AIRLESS SPRAY GUN

1. Unclip the top of the trigger guard (1) from the gun head.
2. Using the bottom of the trigger guard as a wrench, loosen and remove the handle assembly (2) from the gun head.
3. Pull the old filter (3) out of the gun head. Clean or replace.
4. Slide the new filter, tapered end first, into the gun head.
5. Thread the handle assembly into the gun head. Tighten with the trigger wrench.
6. Snap the trigger guard back onto the gun head.



9 SERVICING

9.1 GENERAL SERVICING



We strongly recommend having an annual check carried out by technicians for safety reasons. Please observe all the applicable national regulations.

MINIMUM CHECK BEFORE EVERY STARTUP:

1. Check the high-pressure hose, spray gun with rotary joint, power supply cable with plug for damage.
2. Check whether the pressure gauge can be read.

CHECK AT PERIODICAL INTERVALS:

1. Check inlet and outlet valve according wear. Clean it and replace worn out parts.
2. Check all filter inserts (spray gun, suction system) clean it and replace if necessary.

9.2 HIGH-PRESSURE HOSE

Inspect the high-pressure hose visually for any notches or bulges, in particular at the transition in the fittings. It must be possible to turn the union nuts freely. A conductivity of less than

1 MΩ must exist across the entire length.



Attention

Have all the electric tests carried by Titan Service. The risk of damage rises with the age of the high-pressure hose.

Titan recommends replacing high-pressure hoses after 6 years.

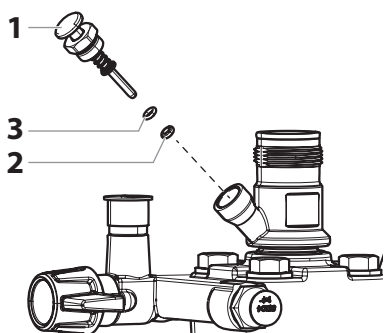
10 REPAIRS AT THE UNIT



Switch the unit off.
Before all repair work: Unplug the power plug from the outlet.

10.1 INLET VALVE PUSHER

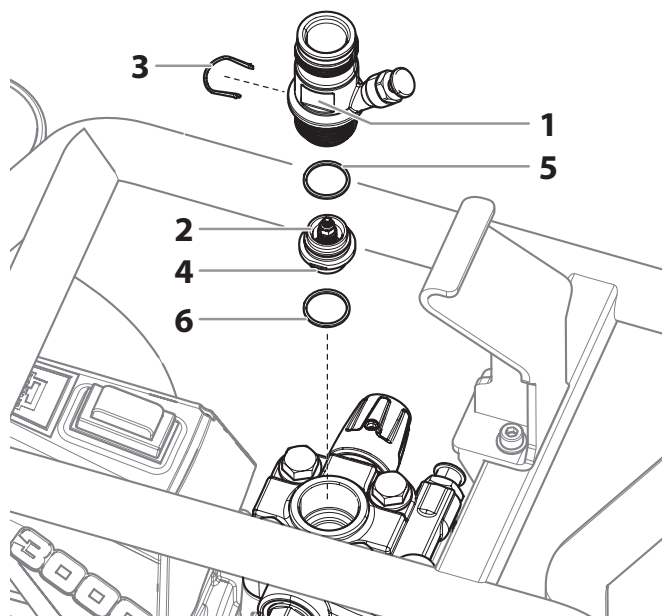
1. Use a 17 mm wrench to screw out the inlet valve button (Fig. 15, item 1).
2. Replace the wiper (2) and O-ring (3).



10.2 INLET VALVE

DISASSEMBLY

1. Place the included 30 mm wrench on the housing (1).
2. Loosen the housing (1) with light blows of a hammer on the end of the wrench.
3. Screw out the housing with the inlet valve (2) from the paint section.
4. Pull of the clasp (3) using the included screwdriver.
5. Place the enclosed 30 mm wrench on the inlet valve (2). Turn out the inlet valve carefully.
6. Clean the valve seat (4) with a cleaning agent and brush (ensure that no brush hairs are left behind).
7. Clean the seals (5, 6) and check for damage. Replace, if necessary.
8. Check all the valve parts for damage. In case of visible wear replace the inlet valve.



INSTALLATION

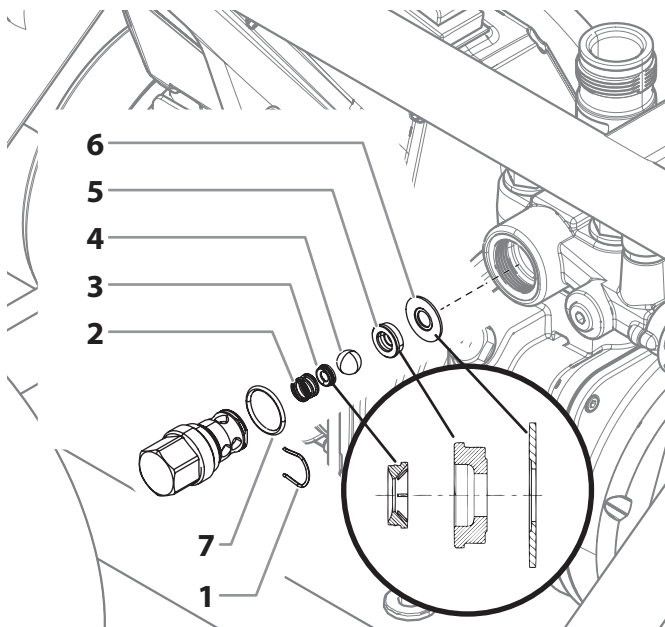
1. Insert the inlet valve (2) into the housing (1) and secure with the clasp (3). Ensure that the (black) seal (5) is mounted in the housing.
2. Screw the unit from the housing and the inlet valve into the paint section. The same (black) seal (6) has to be mounted in the paint section.
3. Tighten the housing with the 30 mm wrench and tighten with three light blows of the hammer on the end of the wrench. (Corresponds to approx. 90 Nm tightening torque).

10.3 OUTLET VALVE

1. Use a 22 mm wrench to screw the outlet valve from the paint section.
2. Carefully remove the clasp (1) using the enclosed screwdriver. The pressure spring (2) pushes out ball (4) and valve seat (5).
3. Clean or replace the components.
4. Check the O-ring (7) for damage.
5. Check the installation position when mounting the spring support ring (3) (clipped onto spring (2)), outlet valve seat (5) and seal (6), refer to figure.

PLEASE ALSO PAY PARTICULAR ATTENTION TO THE FOLLOWING NOTES:

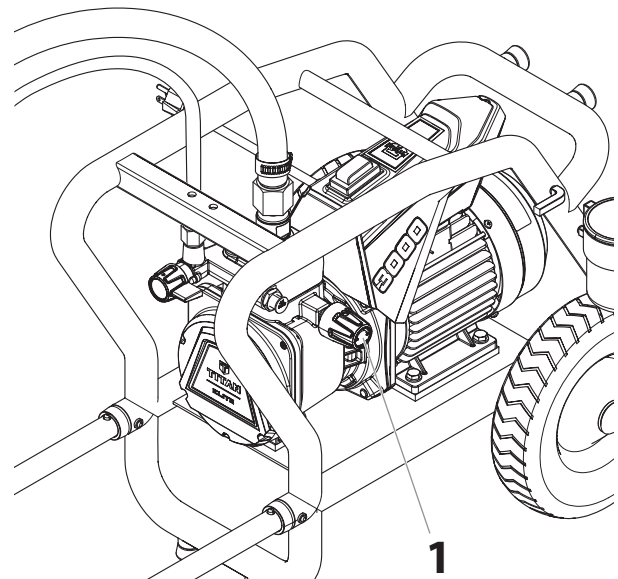
1. Use some light hammer blows on the end of the wrench (20mm) to fully tighten outlet valve in the paint section (this corresponds to approx. 90 Nm tightening torque).
2. During normal operation, check regularly whether the outlet valve has become loose.
3. Always also replace the seal (6) if you have dismantled the outlet valve, regardless of which component you want to replace. Note: The seal (6) is located inside the paint section.
4. The groove in the seal (6) points outwards when replaced.



10.4 PRESSURE CONTROL VALVE



Only have the pressure control valve (1) replaced by Titan Technical Service.
The max. operating pressure has to be reset by Titan Technical Service.



10.5 REPLACING THE POWER CABLE

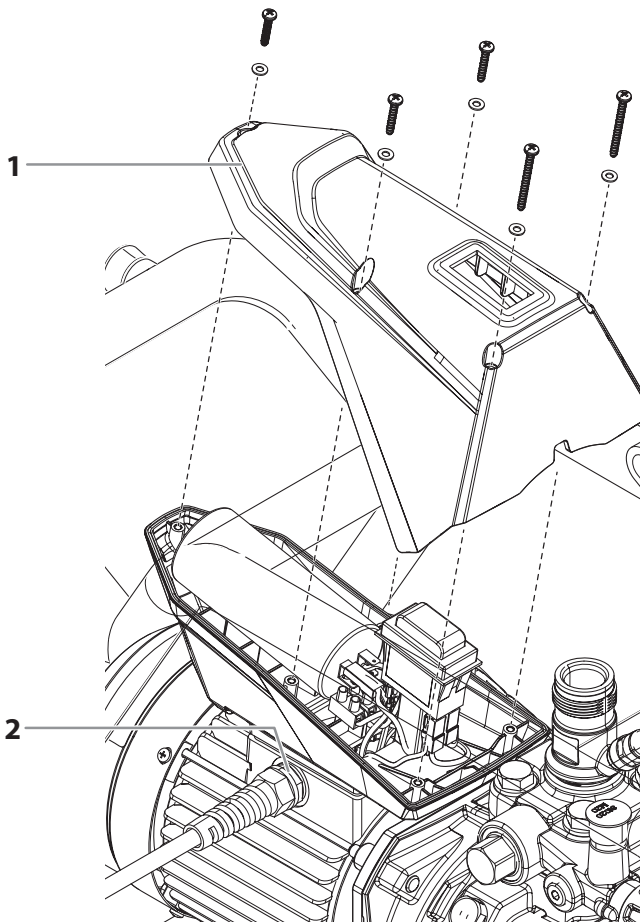


This may only be carried out by a skilled electrician. No liability is assumed for incorrect installation.

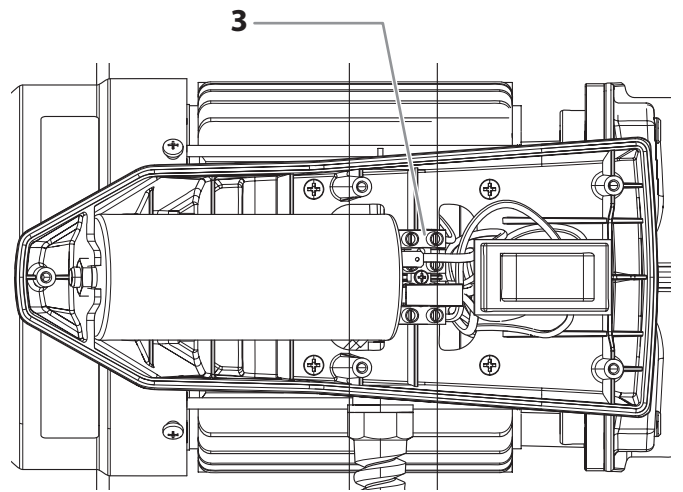
Switch the unit off.

Before all repair work: Unplug the power plug from the outlet.

1. Remove the cover (1) by loosening the screws.
2. Loosen the cable threaded joint (2).



3. Loosen the wires (3).
4. Replace the unit connecting line.
5. Connect the green/yellow wire to the contact with the PE sign.
6. Remount the covers carefully (do not squeeze any cables!)



10.6 TYPICAL WEAR PARTS

Despite the use of high-quality materials the highly abrasive effect of the paints means that wear can occur at the following parts:

INLET VALVE

For replacing refer to Section 10.1

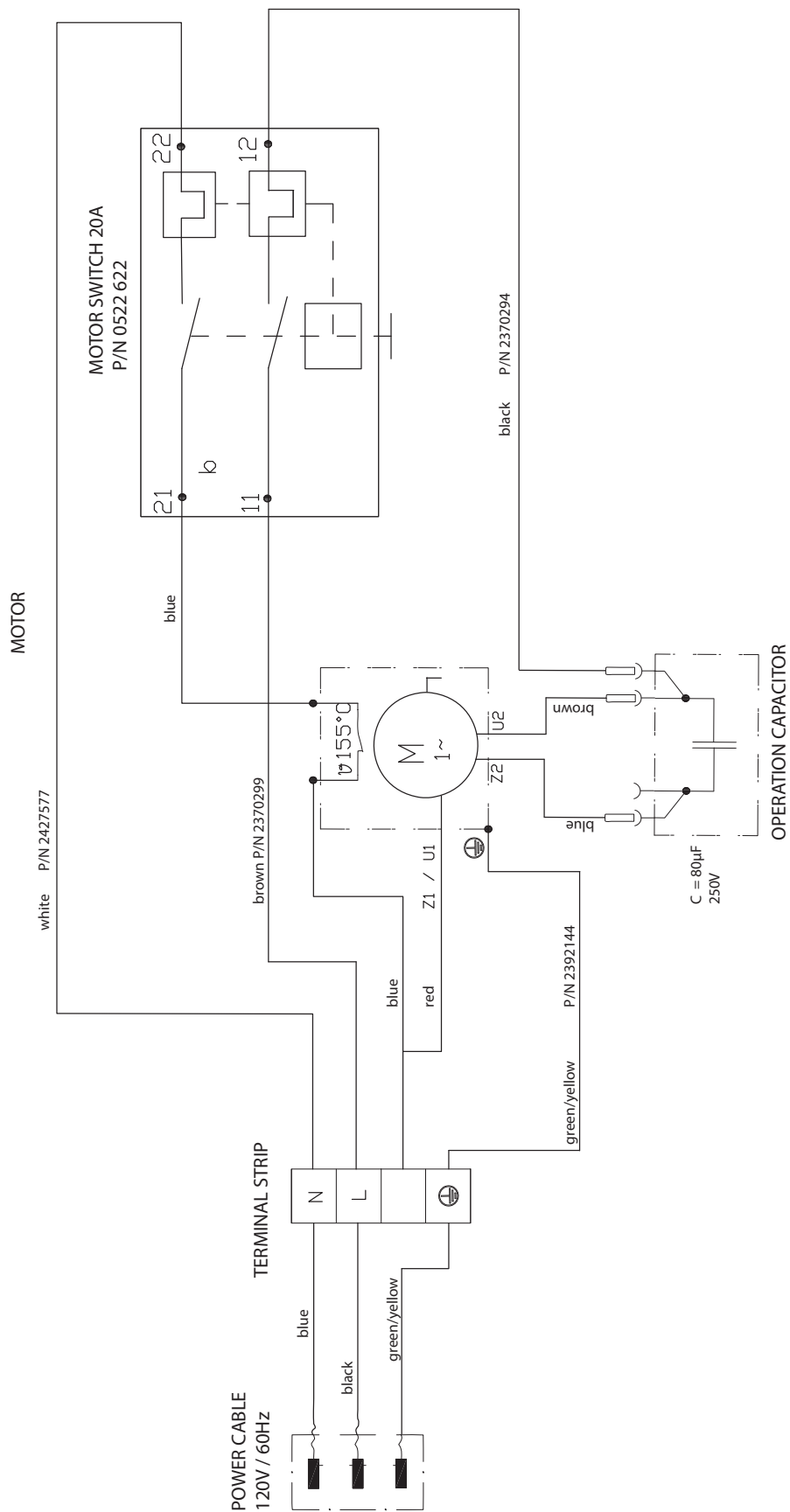
(failure becomes noticeable through performance loss and/or poor or no suction)

OUTLET VALVE


For replacing refer to Section 10.2

(failure becomes noticeable through performance loss and/or poor suction) The outlet valve is usually considerably more durable than the inlet valve. Thorough cleaning may already help here.

10.7 CONNECTION DIAGRAM



10.8 REMEDY IN CASE OF FAULTS

Type of malfunction	What else?	Possible cause	Measures for eliminating the malfunction
Unit does not start	The device does not start after it has been plugged in and switched on.	No voltage applied	Check voltage supply
		Unit fuse has triggered	Let the motor cool down
		Capacitor in terminal box burned out	Replace capacitor
		The sprayer was turned off while still under pressure	Set pressure relief valve to  (circulation).
		The sprayer's thermal protection has overloaded.	Unplug the power cord, switch the unit off, and allow the unit to cool.
Unit does not suck in	Air bubbles do not exit at the return hose	Inlet/outlet valve clogged / worn	Remove the valves and clean then (-> refer to Section Pkt.10.1/10.2) / replace worn parts
		Pressure control valve turned down completely	Turn the pressure control valve to the right until the stop is reached
	Air bubbles exit from the return hose	Unit is sucking in outside air	Check if Suction system is properly tightened
			Check if red inlet is installed in the inlet valve housing (-> see 4.1)
			Check if the inlet valve housing is tightened enough.
	Unit does not generate pressure	Unit has sucked in	Air in the oil circuit (Possible reasons: long time not used, replacement of diaphragm or hydraulic oil change)
Unit reached pressure, but the pressure collapses during spraying.		Suction filter clogged	Check the suction filter. If necessary, clean/replace
		Paint cannot be worked in this state. Due to its properties the paint clogs the valves (inlet valve) and the delivery rate is too low.	Dilute the paint
		Clogged filter do not let enough paint pass	Check/clean the (high-pressure filter) gun filter
		Tip clogged	Clean the tip
Unit does not generate the max. pressure possible. Paint nevertheless exits at the return hose.		Relief valve defective	Please contact Titan Customer Service
After a longer period of time, the pressure drops or the performance of the suction tube decreases (although all connected filters are not blocked).		Inlet valve worn	Replace inlet valve
		Outlet valve worn	Replace outlet valve
		Tip worn	Replace tip

WARRANTY

Titan Tool, Inc., ("Titan") warrants that at the time of delivery to the original purchaser for use ("End User"), the equipment covered by this warranty is free from defects in material and workmanship. With the exception of any special, limited, or extended warranty published by Titan, Titan's obligation under this warranty is limited to replacing or repairing without charge those parts which, to Titan's reasonable satisfaction, are shown to be defective within twelve (12) months after sale to the End User. This warranty applies only when the unit is installed and operated in accordance with the recommendations and instructions of Titan.

This warranty does not apply in the case of damage or wear caused by abrasion, corrosion or misuse, negligence, accident, faulty installation, substitution of non-Titan component parts, or tampering with the unit in a manner to impair normal operation.

Defective parts are to be returned to an authorized Titan sales/service outlet. All transportation charges, including return to the factory, if necessary, are to be borne and prepaid by the End User. Repaired or replaced equipment will be returned to the End User transportation prepaid.

THERE IS NO OTHER EXPRESS WARRANTY. TITAN HEREBY DISCLAIMS ANY AND ALL IMPLIED WARRANTIES INCLUDING, BUT NOT LIMITED TO, THOSE OF MERCHANTABILITY AND FITNESS FOR A PARTICULAR PURPOSE, TO THE EXTENT PERMITTED BY LAW. THE DURATION OF ANY IMPLIED WARRANTIES WHICH CANNOT BE DISCLAIMED IS LIMITED TO THE TIME PERIOD SPECIFIED IN THE EXPRESS WARRANTY. IN NO CASE SHALL TITAN LIABILITY EXCEED THE AMOUNT OF THE PURCHASE PRICE. LIABILITY FOR CONSEQUENTIAL, INCIDENTAL OR SPECIAL DAMAGES UNDER ANY AND ALL WARRANTIES IS EXCLUDED TO THE EXTENT PERMITTED BY LAW.

TITAN MAKES NO WARRANTY AND DISCLAIMS ALL IMPLIED WARRANTIES OF MERCHANTABILITY AND FITNESS FOR A PARTICULAR PURPOSE WITH RESPECT TO ACCESSORIES, EQUIPMENT, MATERIALS OR COMPONENTS SOLD BUT NOT MANUFACTURED BY TITAN. THOSE ITEMS SOLD, BUT NOT MANUFACTURED BY TITAN (SUCH AS GAS ENGINES, SWITCHES, HOSES, ETC.) ARE SUBJECT TO THE WARRANTY, IF ANY, OF THEIR MANUFACTURER. TITAN WILL PROVIDE THE PURCHASER WITH REASONABLE ASSISTANCE IN MAKING ANY CLAIM FOR BREACH OF THESE WARRANTIES.

Attention!

Danger de blessure par injection de produit!

Les groupes "Airless" produisent des pressions de projection extrêmement élevées.



1

Ne jamais exposer les doigts, les mains ou d'autres parties du corps au jet!

Ne jamais diriger le pistolet vers soi, vers d'autres personnes ou vers des animaux.

Utiliser toujours le pistolet muni de sa protection.

Ne traitez pas une blessure par injection comme simple coupure. En cas de blessure de la peau par l'injection de peintures ou de solvants, consultez sans retard un médecin. Renseignez le médecin sur la nature de la peinture ou du solvant utilisés.

2

Avant toute mise en service, respecter les points suivants conformément aux instructions de service:

1. Ne jamais utiliser un équipement défectueux.
2. Verrouiller le pistolet Titan par le levier de sécurité à la gâchette.
3. Assurer la mise à la terre correcte.
4. Vérifier et respecter les pressions admissibles pour le flexible et le pistolet.
5. Contrôler l'étanchéité de tous les raccords.

3

Respecter sans faute les instructions relatives au nettoyage et à l'entretien réguliers du matériel.

Avant toute intervention sur le matériel et pendant chaque interruption de travail, observer les règles suivantes:

1. Evacuer la pression du pistolet et du flexible.
2. Verrouiller le pistolet Titan par le levier de sécurité à la gâchette.
3. Arrêter le groupe.

Ne négligez pas la sécurité!

1	PRESCRIPTIONS DE SÉCURITÉ POUR LA PULVÉRISATION AIRLESS	28	8	NETTOYAGE DE L'APPAREIL	41
1.1	Explication des symboles utilisés	28	8.1	Nettoyage extérieur de l'appareil	42
1.2	Directives de mise à la terre	28	8.2	Filtre d'aspiration	42
1.3	Dangers pour la sécurité	28	8.3	Filtre haute pression (accessoire)	42
1.4	Utilisation sur un terrain incliné	31	8.4	Nettoyage du pistolet de pulvérisation Airless	43
2	VUE D'ENSEMBLE DE L'UTILISATION	32	9	MAINTENANCE	43
2.1	Domaines d'utilisation	32	9.1	Maintenance générale	43
2.2	Produit de revêtement	32	9.2	Tuyau flexible haute pression	43
2.2.1	Produits de revêtement avec additifs à arêtes vives	32	10	RÉPARATIONS SUR L'APPAREIL	44
2.2.2	Filtration	32	10.1	Poussoir de la vanne d'aspiration	44
2.3	Configurations du pulvérisateur	33	10.2	Vanne d'aspiration	44
3	DESCRIPTION DE L'APPAREIL	34	10.3	Clapet de refoulement	45
3.1	Procédé Airless	34	10.4	Vanne de réglage de pression	45
3.2	Fonctionnement de l'appareil	34	10.5	Remplacement du cordon d'alimentation	46
3.3	Illustrations du matériel	35	10.6	Pièces d'usure typiques	46
3.4	Réglage du timon	36	10.7	Schéma électrique	47
3.5	Caractéristiques techniques	36	10.8	Aide en cas de pannes	48
4	MISE EN SERVICE	37	GARANTIE		49
4.1	Appareil avec système d'aspiration	37	PIÈCES DE RECHANGE ET ACCESSOIRES		74
4.2	Appareil avec récipient supérieur	37	Liste de pièces de rechange de ensemble principal		74/75
4.3	Tuyau flexible haute pression et pistolet de pulvérisation	37	Liste de pièces de rechange du chariot		76/77
4.4	Raccordement au réseau électrique	37	Liste de pièces de rechange du moteur/ de l'ensemble de la pompe		78/79
4.5	Élimination de l'agent de conservation lors de la première mise en service	38	Liste de pièces de rechange de l'ensemble de la pompe		80/81
4.6	Dégazer l'appareil (système hydraulique) si on n'entend pas le bruit de la vanne d'aspiration	38	Liste de pièces de rechange de l'ensemble de la soupape de sortie		82
4.7	Mise en service de l'appareil avec le produit de revêtement	38	Liste de pièces de rechange de l'ensemble de la tige de poussée		83
5	TECHNIQUE DE PULVÉRISATION	39	Liste de pièces de rechange du système d'aspiration flexible		84
5.1	Nettoyage d'une buse obstruée	39	Liste de pièces de rechange du système d'aspiration rigide		85
6	MANIPULATION DU TUYAU FLEXIBLE HAUTE PRESSION	40	Liste de pièces de rechange de l'ensemble du filtre (facultatif)		86
7	INTERRUPTION DE TRAVAIL	40	Liste de pièces de rechange du récipient supérieur (facultatif)		87
			ACCESSOIRES		88/89

1 PRESCRIPTIONS DE SÉCURITÉ

1.1 EXPLICATION DES SYMBOLES UTILISÉS

Veillez lire et être sûr de comprendre toutes les informations contenues dans ce manuel avant d'utiliser l'appareil. Lorsque vous pénétrez dans une zone qui contient les symboles suivants, soyez particulièrement vigilant et vérifiez que les systèmes de sécurité sont bien installés.



→ Ce symbole indique un risque potentiel pouvant entraîner des blessures graves ou même mortelles. Vous trouverez ci-après d'importantes consignes de sécurité.



Attention

→ Ce symbole indique un risque potentiel pour vous ou pour l'appareil. D'importantes informations sur la manière d'éviter tout dommage de l'équipement ou d'éviter des blessures légères sont indiquées ci-après.



→ Danger de blessure par injection de produit



→ Danger d'incendie



→ Risque d'explosion



→ Vapeurs toxiques et/ou inflammables. Danger d'intoxication et de brûlure



→ Risque de choc électrique



→ Les notes contiennent des informations qui doivent être consciencieusement respectées.

1.2 DIRECTIVES DE MISE À LA TERRE

Cet appareil doit être mis à la terre. En cas de court-circuit, cette précaution réduit les risques de choc en procurant un parcours au courant électrique. Le cordon de l'appareil est doté d'un fil de terre relié à la troisième broche de sa fiche. Cette dernière doit être branchée dans une prise correctement câblée et mise à la terre conformément aux codes et règlements locaux.

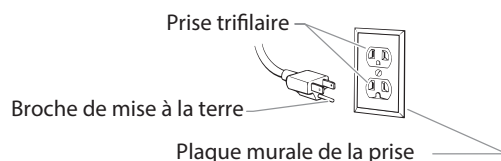


MISE EN GARDE - Le fait de ne pas brancher correctement la fiche trifilaire de l'appareil peut entraîner des risques de choc électrique.

Si on doit réparer ou remplacer le cordon ou la fiche, ne pas raccorder le fil de terre à la borne des broches plates (lames) de cette dernière. Ce fil, normalement vert (avec ou sans rayures jaunes), doit être relié à la broche de terre.

Consulter un technicien ou un électricien qualifié à défaut de comprendre l'ensemble des présentes directives ou en cas d'incertitude quant à la mise à terre de l'appareil. Ne pas modifier la fiche de l'appareil; si elle ne s'adapte pas dans la prise voulue, la faire remplacer par un électricien qualifié.

Conçu pour les circuits de 120 V, cet appareil est doté d'une fiche ressemblant à celle illustrée ci-dessous. S'assurer que le produit est connecté à une prise électrique ayant la même configuration que la fiche mâle. Ne pas utiliser d'adaptateur avec ce produit.



Attention

Quand le pulvérisateur est utilisé avec un générateur de tension de la ligne ou non, l'utilisation de Titan "Line Surge Protector" (P / N 800-935) est recommandée.

RENSEIGNEMENTS IMPORTANTS SUR L'ÉLECTRICITÉ



Attention

Si l'application requiert l'utilisation d'une rallonge, celle-ci doit être trifilaire et dotée d'une fiche à trois broches et d'un connecteur à trois fentes pouvant accepter la fiche de l'appareil.

Cette rallonge doit être en bon état. On doit en outre s'assurer qu'elle est d'un calibre suffisant pour éviter les baisses de tension susceptibles de provoquer des pertes de puissance ou une surchauffe de l'appareil.

Une rallonge de calibre 8 ou 10 est recommandée (consultez le tableau). Si une rallonge est utilisée à l'extérieur, elle doit être étiquetée « SJW » ou « SJTW ». Par exemple, une désignation de SJTW indique que la rallonge conviendrait à l'extérieur.

Cordon de calibre	Longueur maximum de cordon
8	46 m
10	31 m

1.3 DANGERS POUR LA SÉCURITÉ



RISQUE : BLESSURE PAR PROJECTION

Un courant de liquide à haute pression produit par cet équipement peut percer la peau et les tissus sous-cutanés, et entraîner des blessures graves ou une amputation.

Ne traitez pas une blessure par injection comme simple coupure. En cas de blessure de la peau par l'injection de peintures ou de solvants, consultez sans retard un médecin. Renseignez le médecin sur la nature de la peinture ou du solvant utilisés.

PRÉVENTION :

- Ne dirigez pas le pistolet sur et ne pulvérisez pas les personnes ou les animaux.
- N'approchez pas les mains ni d'autres parties du corps de la sortie du produit. Par exemple, ne tentez pas d'arrêter une fuite avec une partie du corps.
- NE JAMAIS mettre la main, même gantée, devant le pistolet (les gants n'offrent aucune protection contre les blessures par injection).
- TOUJOURS s'assurer que le protège-embout est en place avant de pulvériser. Il est cependant à noter que, s'il assure une certaine protection, ce dispositif joue surtout un rôle préventif.
- Utilisez exclusivement un embout de buse spécifié par le fabricant.
- Prenez garde quand vous nettoyez ou que vous changez les embouts de buse. Si l'embout se bouche pendant que vous pulvérisez, verrouillez TOUJOURS la détente du pistolet, arrêtez la pompe et libérez toute la pression avant de réparer ou de nettoyer l'embout ou le protecteur ou avant de changer d'embout. La pression n'est pas libérée par l'arrêt du moteur. La poignée du robinet-valve PRIME/SPRAY doit être placée sur PRIME pour libérer la pression.
- Ne laissez pas l'appareil sous tension ou sous pression quand vous vous en éloignez. Quand vous n'utilisez pas l'appareil, éteignez-le et libérez la pression conformément aux instructions du fabricant.
- La pulvérisation à haute pression peut injecter des toxines dans le corps et causer de graves blessures corporelles. Si une telle injection se produisait, consultez immédiatement un médecin.

- Vérifiez les tuyaux et les pièces pour détecter des signes d'endommagement : une fuite peut injecter le produit dans la peau. Inspectez le tuyau avant chaque emploi. Changez tous les tuyaux ou pièces endommagés. Pour des raisons de fonctionnement, de sécurité et de durée de vie, utiliser exclusivement des tuyaux flexibles à haute pression d'origine de TITAN.
- Ce système peut produire une pression de 3 300 PSI / 22,8 MPa. N'utilisez que les pièces de rechange ou les accessoires spécifiés par le fabricant et ayant une pression nominale minimum de 3 300 PSI. Ceci est valable pour les embouts de pulvérisation, les protecteurs de buse, les pistolets, les rallonges, les raccords et le tuyau.
- Verrouillez toujours la détente quand vous ne pulvérisez pas. Vérifiez que le verrou de la détente fonctionne correctement.
- Vérifiez que toutes les connexions sont bien serrées avant d'utiliser l'appareil.
- Sachez comment arrêter l'appareil et le dépressuriser rapidement. Soyez bien familiarisé avec les commandes. La pression n'est pas libérée lorsque le moteur est arrêté. La poignée du robinet-valve PRIME/SPRAY doit être placée sur PRIME pour libérer la pression.
- Retirez toujours l'embout de pulvérisation avant de rincer ou de nettoyer le système.



REMARQUE À L'INTENTION DES MÉDECINS :

Les injections cutanées sont des lésions traumatiques; il importe donc de les traiter sans délai. On NE DOIT PAS retarder ce traitement sous prétexte de vérifier la toxicité du produit en cause, celle-ci n'étant conséquente que dans le cas d'injection directe de certains produits dans le système sanguin. Il pourrait s'avérer nécessaire de consulter un plasticien ou un spécialiste en chirurgie reconstructive de la main.



RISQUE : FLEXIBLE À HAUTE PRESSION

Le tuyau de peinture peut présenter des fuites dues à l'usure, aux pincements et aux mauvaises utilisations. Toute fuite peut entraîner une projection de matériau dans la peau. Vérifiez soigneusement le tuyau avant chaque utilisation.

PRÉVENTION :

- Il faut éviter de trop plier le flexible; le plus petit rayon ne doit pas être inférieur à 20 cm.
- Protéger le flexible contre le passage de véhicules et éviter le frottement sur des arêtes vives.

- Remplacer immédiatement tout tuyau à haute pression endommagé.
- Ne jamais essayer de réparer un flexible endommagé!
- La charge électrostatique du pistolet et du flexible est évacuée par ce dernier. Pour cette raison, la résistance électrique entre les raccords du flexible doit être égale ou inférieure à 1 mégohm.
- Pour des raisons de fonctionnement, de sécurité et de durée utile utiliser exclusivement des flexibles à haute pression originaux de Titan.
- Avant chaque utilisation, vérifiez que les tuyaux ne présentent ni coupures, ni fuites, ni signes d'abrasion ou de renflement du revêtement. Vérifiez l'état et le mouvement des raccords. Remplacez immédiatement les tuyaux s'ils sont en mauvais état. Ne réparez jamais un tuyau de peinture. Remplacez-le par un tuyau à haute pression relié à la masse.
- Assurez vous que le tuyau à air et les tuyaux de pulvérisation sont disposés de façon à éviter les risques de glissade, de trébuchement ou de chute.
- Vérifiez que tous les conteneurs ou systèmes de stockage sont reliés à la terre pour éviter les décharges d'électricité statique.
- Connectez à une prise électrique avec prise de terre et utilisez des rallonges électriques reliées à la terre. N'utilisez pas d'adaptateur 3 à 2.
- N'utilisez pas de peinture ou de solvant contenant du halon, par exemple, le chlore, les agents antimoisissure à l'eau de Javel, le chlorure de méthylène et le trichloroéthane. Ils ne sont pas compatibles avec l'aluminium. Contactez le fournisseur de revêtements pour connaître la compatibilité du matériau avec l'aluminium.
- La zone de pulvérisation doit toujours être bien aérée. Une bonne quantité d'air frais doit constamment traverser la zone de pulvérisation pour éviter les accumulations de vapeurs inflammables. Le système de pompage doit être placé dans une zone bien aérée. Ne pulvérisez pas le système de pompage.
- Ne fumez pas dans la zone de pulvérisation.
- N'actionnez pas d'interrupteurs électriques, de moteurs ou autres dispositifs produisant des étincelles dans la zone de pulvérisation.
- Maintenez la propreté de la zone et veillez à ce qu'elle ne contienne pas de conteneurs de peinture ou de solvant, de chiffons et autres matières inflammables.
- Sachez ce que contiennent la peinture et les solvants pulvérisés. Lisez les fiches de sécurité du matériel (SDS) et les étiquettes apposées sur les conteneurs de peintures et de solvants. Respectez les consignes de sécurité du fabricant de peinture et de solvant.
- Placez la pompe à une distance minimum de 7,62 mètres (25 pieds) de l'objet à pulvériser, dans une zone bien aérée (ajoutez de la longueur de tuyau si besoin est). Les vapeurs inflammables sont souvent plus lourdes que l'air. La zone près du sol doit être très bien aérée. La pompe contient des pièces qui produisent des arcs et émettent des étincelles pouvant enflammer les vapeurs.
- Le plastique peut causer des étincelles d'électricité statique. N'accrochez aucun plastique dans une zone de pulvérisation fermée. N'utilisez pas de toiles de protection en plastique quand vous pulvérisez une matière inflammable.
- Ayez un extincteur en bon état de fonctionnement à portée de main.



RISQUE : EXPLOSION ET INCENDIE

Les vapeurs inflammables, telles que les vapeurs de solvant et de peinture, dans une zone de travail peuvent s'enflammer ou exploser.

PRÉVENTION :

- Ne pulvérisez pas de matières inflammables ou combustibles près d'une flamme nue, de voyants lumineux ou de sources d'ignition telles que des objets chauds, cigarettes, moteurs, matériel et appareils électriques. Évitez de produire des étincelles en connectant et en déconnectant les cordons électriques.
- S'entourer de toutes les précautions possibles lorsqu'on utilise des produits ayant un point d'éclair inférieur à 38°C (100°F). Le point d'éclair est la température à laquelle le liquide peut créer suffisamment de vapeurs et s'enflammer.
- L'écoulement de peinture ou de solvant dans l'équipement peut produire de l'électricité statique. L'électricité statique crée un risque d'incendie ou d'explosion en présence de fumées de peinture ou de solvant. Toutes les pièces du système du pulvérisateur, y compris la pompe, l'ensemble du tuyau, le pistolet de pulvérisation et les objets dans et autour de la zone de pulvérisation doivent être correctement reliés à la terre pour protéger contre les décharges d'électricité statique et les étincelles. N'utilisez que des tuyaux conducteurs ou reliés à la terre pour pulvérisateurs de peinture sous vide à haute pression, spécifiés par le fabricant.



RISQUE : VAPEURS DANGEREUSES

Les peintures, solvants, et autres matériaux peuvent être nocifs en cas d'inhalation ou de contact avec la peau. Les vapeurs peuvent entraîner de sérieuses nausées, des syncopes ou des empoisonnements.

PRÉVENTION :

- Pendant le travail de protection porter un masque respiratoire. Lisez attentivement toutes les instructions fournies avec le masque pour vous assurer qu'il fournit bien la protection nécessaire.
- Tous les règlements locaux en matière de protection contre les vapeurs toxiques doivent être respectés.
- Portez des protections oculaires.
- Pour protéger la peau il est nécessaire de porter des vêtements de protection, des gants et d'utiliser éventuellement une crème de protection de la peau. Observer les prescriptions des fabricants au sujet des produits de peinture, de nettoyage et des solvants pendant la préparation, la mise en oeuvre et le nettoyage du matériel.



RISQUE : GÉNÉRALITÉS

peut entraîner des blessures sévères ou des dégâts matériels.

PRÉVENTION :

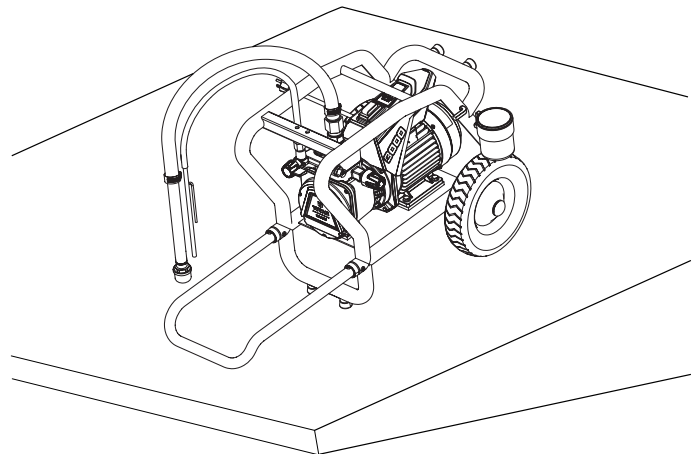
- Portez toujours les gants, la protection oculaire, les vêtements et un respirateur ou masque appropriés quand vous peignez.
- Ne travaillez pas et ne pulvérisez pas près d'enfants. Éloignez toujours les enfants de l'équipement.
- Ne travaillez pas avec les bras au-dessus de la tête ni sur un support instable. Appuyez-vous bien sur les deux pieds pour toujours conserver l'équilibre.
- Soyez attentif et regardez ce que vous faites.
- N'utilisez pas l'appareil quand vous êtes fatigué ou sous l'influence de drogues ou d'alcool.
- Ne faites pas de nœuds avec le tuyau et ne le tordez pas trop. Le tuyau à vide peut présenter des fuites suite à l'usure, les nœuds ou les mauvais traitements. Une fuite risque d'injecter du produit dans la peau.
- N'exposez pas le tuyau à des températures ou des pressions supérieures à celles spécifiées par le fabricant.
- N'utilisez pas le tuyau pour tirer ou soulever l'équipement.
- Utilisez la plus basse pression possible pour rincer l'équipement.

- Respectez tous les codes locaux, étatiques et nationaux qui régulent la ventilation, la prévention d'incendies et le fonctionnement.
- Les normes de sécurité du gouvernement des États-Unis ont été adoptées dans la loi Occupational safety and Health Act (OSHA). Ces normes, en particulier la partie 1910 des Normes générales et la partie 1926 des Normes de construction, doivent être consultées.
- Avant chaque emploi, vérifiez tous les tuyaux pour détecter d'éventuelles coupures, fuites, abrasion ou couvercle bombé. Vérifiez l'état ou le mouvement des accouplements. Changez immédiatement le tuyau si l'une de ces conditions est vérifiée. Ne réparez jamais un tuyau de peinture. Remplacez-le par un tuyau conducteur à haute pression.
- Ne pulvérisez pas à l'extérieur par temps venteux.
- Débranchez toujours le cordon électrique de la prise avant de travailler sur l'équipement.

1.4 UTILISATION SUR UN TERRAIN INCLINÉ

La partie avant du groupe doit montrer vers le bas afin d'éviter un déplacement involontaire.

Sur les supports inclinés, l'appareil ne peut pas être utilisé, vu qu'il a tendance à migrer du fait des vibrations.



2 VUE D'ENSEMBLE DE L'UTILISATION

2.1 DOMAINES D'UTILISATION

Elite 3000 est un appareil électrique pour la pulvérisation sans air (airless) de divers produits de revêtement. Il convient également pour le fonctionnement du rouleau à peinture alimenté de l'intérieur qui est disponible dans le programme d'accessoires.

Le Elite 3000 peut être utilisé tant en atelier que sur chantier.

La puissance de l'appareil Elite 3000 est conçue de telle façon à permettre le traitement de dispersions en intérieur pour des objets de petite à moyenne taille.

L'appareil convient pour la pulvérisation de laques notamment sur les objets suivants :

portes, chambranles de portes, balustrades, meubles, lambrissages, clôtures, radiateurs et pièces d'acier.

Pour les travaux de peinture, il est recommandé d'utiliser un réservoir supérieur

2.2 PRODUIT DE REVÊTEMENT

PRODUITS DE REVÊTEMENT UTILISABLES

Dispersion, peintures latex, laques et peintures diluables à l'eau et solvantées, produits de revêtement à deux composants.

La mise en œuvre d'autres produits de revêtement devrait uniquement avoir lieu après consultation de la firme TITAN, la durée de vie et également la sécurité de l'appareil pouvant en être affectées.



Veillez à la qualité Airless des produits de revêtement à mettre en œuvre.

L'appareil permet de mettre en œuvre des produits de revêtement d'une viscosité jusqu'à 20.000 mPas. Si le débit de pulvérisation diminue fortement pour des produits de revêtement de haute viscosité, diluer conformément aux indications du fabricant.

Bien remuer le produit de revêtement avant le début du travail.



Attention! Lors de l'agitation du produit de revêtement, en particulier avec des agitateurs motorisés, veiller à ne pas introduire de bulles d'air.

Les bulles d'air gênent lors de la pulvérisation, peuvent même entraîner des arrêts de fonctionnement.

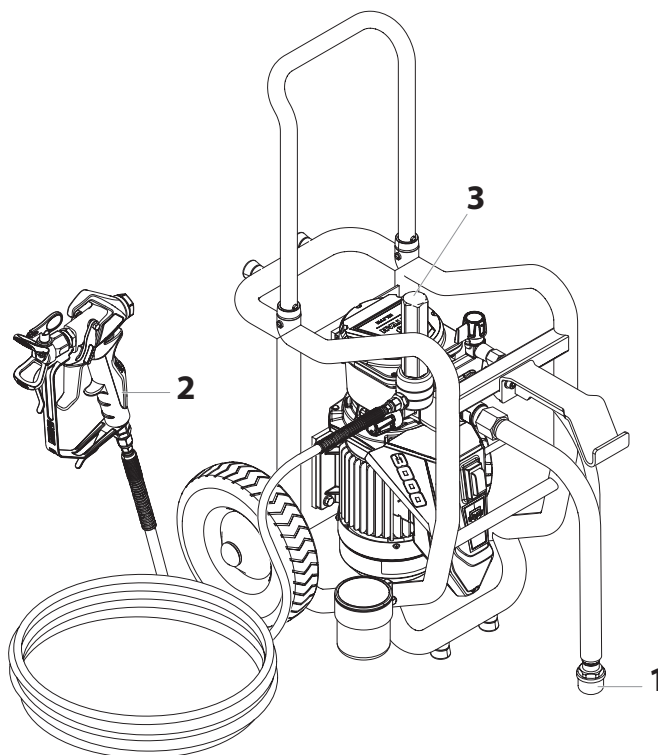
2.2.1 PRODUITS DE REVÊTEMENT AVEC ADDITIFS À ARÊTES VIVES

Ces particules exercent une forte action abrasive sur les vannes et la buse, ainsi que sur le pistolet de pulvérisation. La durée de vie de ces pièces d'usure en est fortement réduite.

2.2.2 FILTRATION

Une filtration suffisante est nécessaire pour un fonctionnement sans perturbation. A cet effet, l'appareil est équipé d'une crépine d'aspiration (réf. 1), d'une cartouche de filtre dans le pistolet de pulvérisation (réf. 2). Un contrôle régulier de ces filtres pour détérioration ou encrassement est instamment recommandé.

Un filtre haute pression disponible comme accessoire (réf. 3) agrandit la surface de filtration et facilite le travail avec l'appareil.



2.3 CONFIGURATIONS DU PULVÉRISATEUR

Le pulvérisateur Elite 3000 peut être configuré de multiples façons. On peut l'utiliser comme un appareil à chariot élevé avec un ensemble d'aspiration rigide (figure 1) ou un appareil à chariot bas avec un ensemble d'aspiration flexible (figure 2).



On peut orienter le récipient de nettoyage (1) en conséquence, selon la configuration utilisée.

FIGURE 1

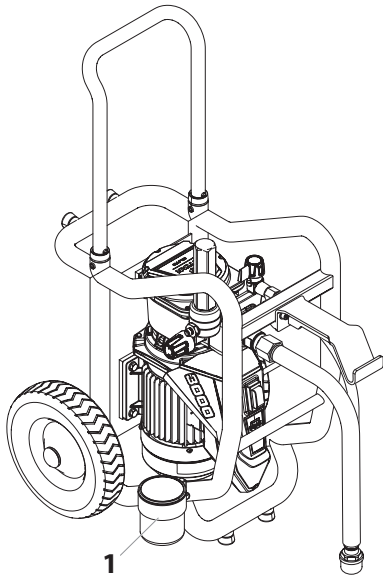
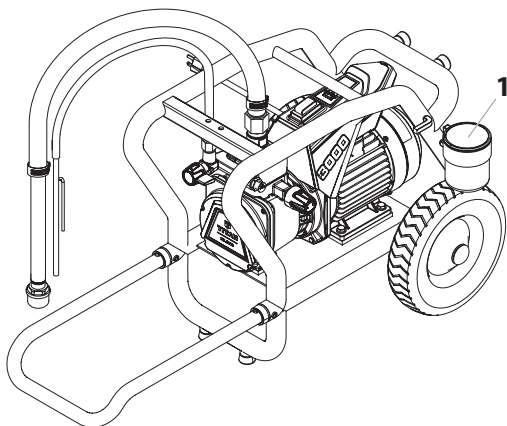


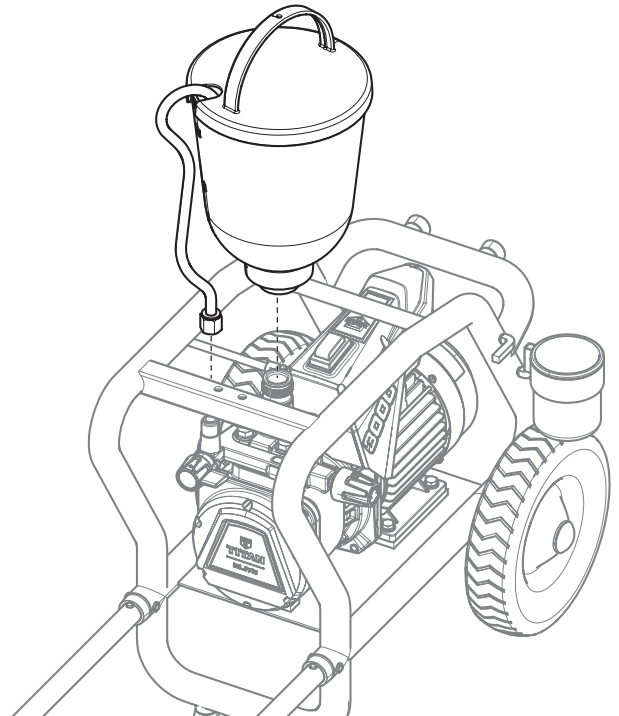
FIGURE 2



RÉCIPIENT SUPÉRIEUR À ALIMENTATION PAR LE HAUT

La configuration au chariot bas peut également être utilisée avec un récipient supérieur à alimentation par le haut, vendu séparément.

FIGURE 3



Il faudra enlever le support du seau afin d'installer le récipient supérieur sur l'appareil.

3 DESCRIPTION DE L'APPAREIL

3.1 PROCÉDÉ AIRLESS

Les principaux domaines d'application sont des couches épaisses de produits de revêtement de haute viscosité.

Pour le Elite 3000, une pompe à membrane aspire le produit de revêtement et le transporte via le tuyau flexible haute pression vers le pistolet de pulvérisation avec la buse Airless. Le produit de revêtement est ici pulvérisé, vu qu'il est pressé avec une pression allant jusqu'à max. 22,8 MPa (3300 PSI) à travers le noyau de la buse. Cette pression élevée provoque une pulvérisation microfine du produit de revêtement.

Le nom AIRLESS (sans air) de ce système provient de l'absence d'air lors de la pulvérisation.

Cette manière de pulvériser a l'avantage de réaliser pour un mode de fonctionnement à pulvérisation très fine et pourtant sans brouillard (moyennant un réglage correct de l'appareil) une surface lisse, sans bulles. En plus de ces aspects, on citera également la vitesse de travail élevée et la grande maniabilité.

3.2 FONCTIONNEMENT DE L'APPAREIL

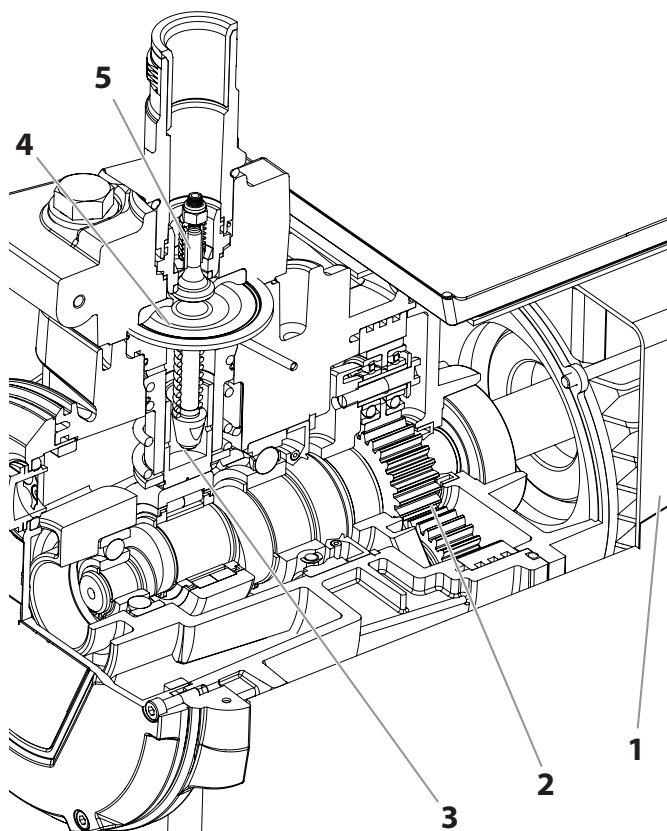
Pour mieux comprendre le fonctionnement, voici une brève description de la conception technique:

Elite 3000 est un appareil de pulvérisation de peinture à haute pression à entraînement électrique. Le moteur électrique (1) commande la pompe hydraulique via un engrenage planétaire (2). Un piston (3) effectue un mouvement alternatif et pousse l'huile hydraulique sous la membrane (4) pour la mettre en mouvement.

En détail: A la descente de la membrane, la soupape d'aspiration à disque (5) s'ouvre automatiquement et le produit de revêtement est aspiré. Lors de la remontée de la membrane, le produit de revêtement est refoulé et le clapet de refoulement à bille s'ouvre alors que la vanne d'aspiration se ferme.

Le produit de revêtement s'écoule à haute pression à travers le tuyau flexible haute pression vers le pistolet de pulvérisation et est pulvérisé à la sortie de la buse.

La vanne de réglage de pression limite la pression réglée dans le circuit d'huile hydraulique et donc également la pression du produit de revêtement. Une variation de pression lors de l'utilisation de la même buse entraîne également une modification de la quantité de peinture pulvérisée.



3.3 ILLUSTRATIONS DU MATÉRIEL

INCLUS :

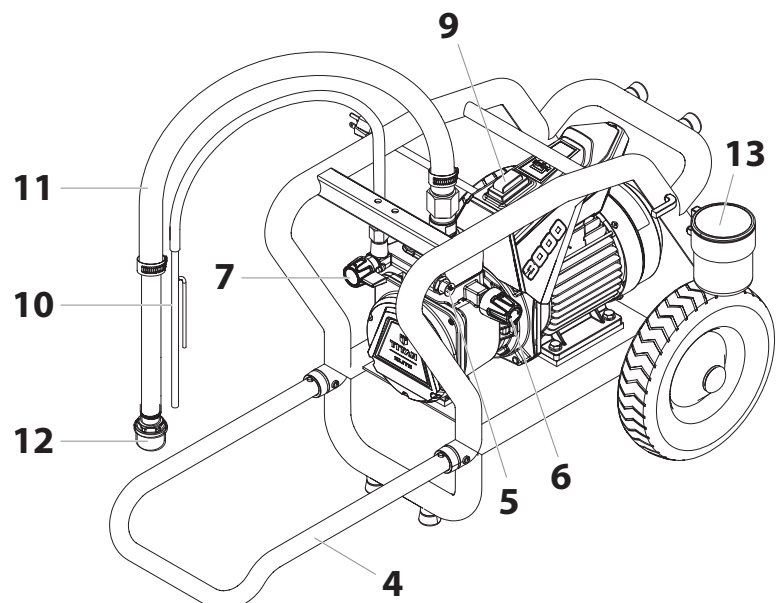
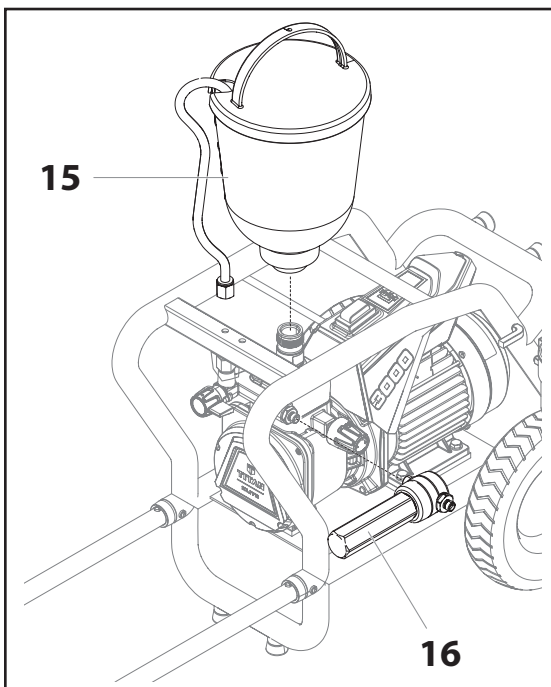
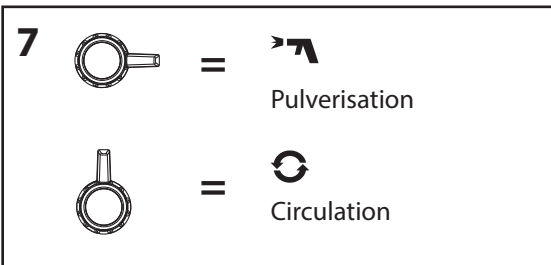
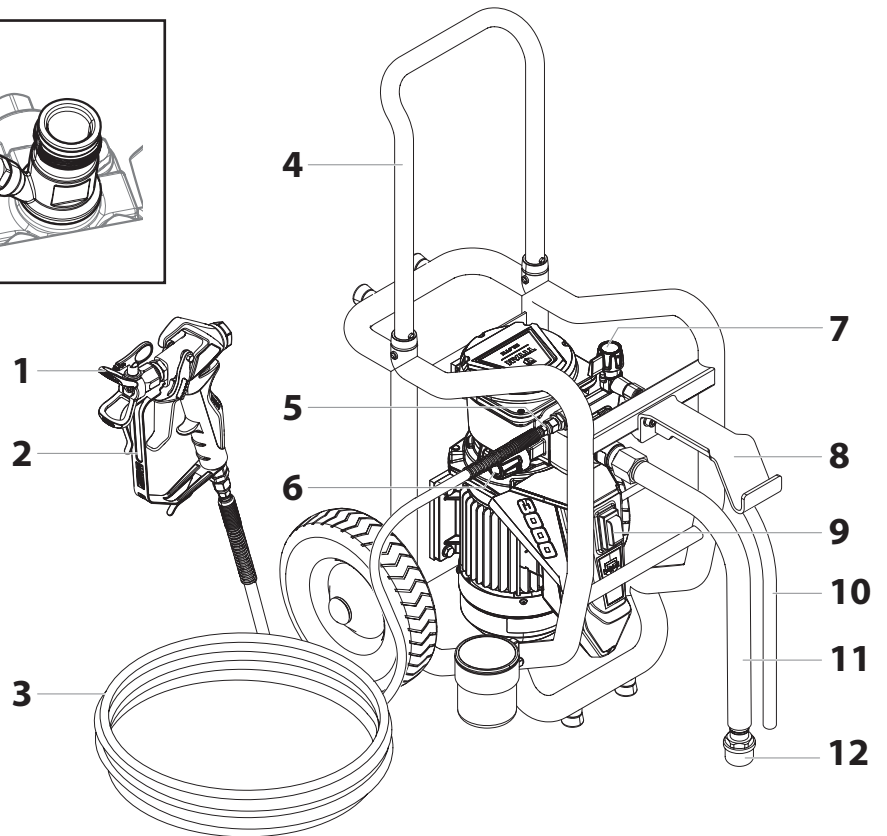
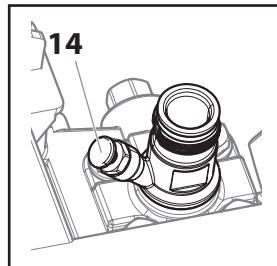
1. Porte-buse avec buse
2. Pistolet de pulvérisation
3. Tuyau flexible haute pression
4. Poignée extensible
5. Raccordement pour tuyau flexible haute pression
6. Vanne de réglage de pression
7. Vanne de décompression
8. Support du seau
9. Interrupteur ON/OFF (MARCHE / ARRÊT)
10. Tuyau de retour
11. Tuyau d'aspiration
12. Filtre d'entrée
13. Récipient de nettoyage
14. Tige de poussée

VENDU SÉPARÉMENT :

15. Récipient supérieur
16. Filtre à haute pression



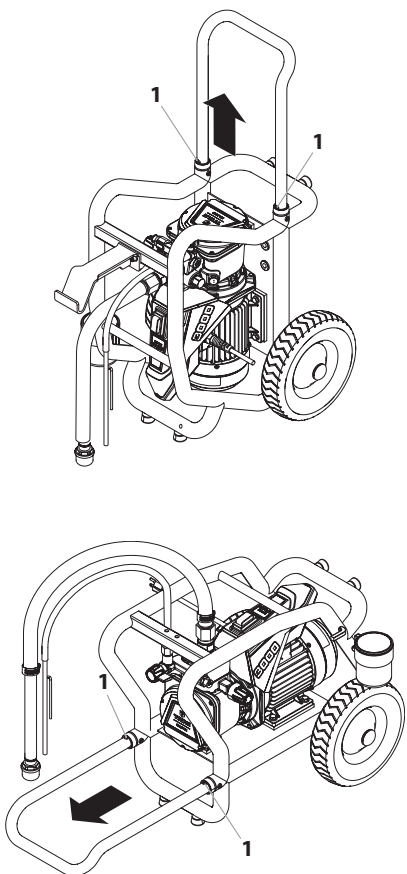
Tous les renseignements contenus dans le présent manuel s'appliquent à toutes les configurations, sauf indication contraire.



3.4 RÉGLAGE DU TIMON

La poignée peut être allongée pour faciliter le transport. Tirer la poignée jusqu'à ce que les boutons-pression (1) gardent la poignée en place.

Pour rentrer la poignée, pousser les boutons-pression et pousser sur la poignée.



TRANSPORT DANS LE VÉHICULE

Fixer l'appareil dans le véhicule à l'aide de moyens de fixation appropriés.

Si nécessaire, l'appareil peut être placé sur le côté. Dans ce cas, veiller à ne pas risquer d'endommager des pièces rapportées. Attention: des restes de peinture ou de solvant peuvent sortir des raccords vissés!

3.5 CARACTÉRISTIQUES TECHNIQUES

Tension:	120 V AC, 50/60 Hz
Fusible:	16 A lent
Cordon d'alimentation:	longueur 6 m, 3x1,5 mm ²
Courant absorbé max.	11,0 A
Capacité de l'appareil :	1,3 kW
Pression de service max.:	3300 PSI (22,8 MPa)
Débit sous 12 MPa (120 bars)	2,27 l/min
Buse max.	0,025"
Température max. adm. du produit de revêtement:	43 °C
Viscosité max.:	20.000 mPas
Poids à vide:	41 kg
Quantité de remplissage d'huile hydraulique:	
Corps du système hydraulique	1,3 litre
Engrenage (gras)	45 g
Vibration max. au pistolet de pulvérisation:	inférieure à 2,5 m/s ²
Niveau de pression acoustique max.:	75 dB (A)*

* Lieu de mesure: à distance latérale de 1 m de l'appareil et 1,60 m au-dessus du sol, pression de service 12 MPa (120 bars), sol réverbérant.

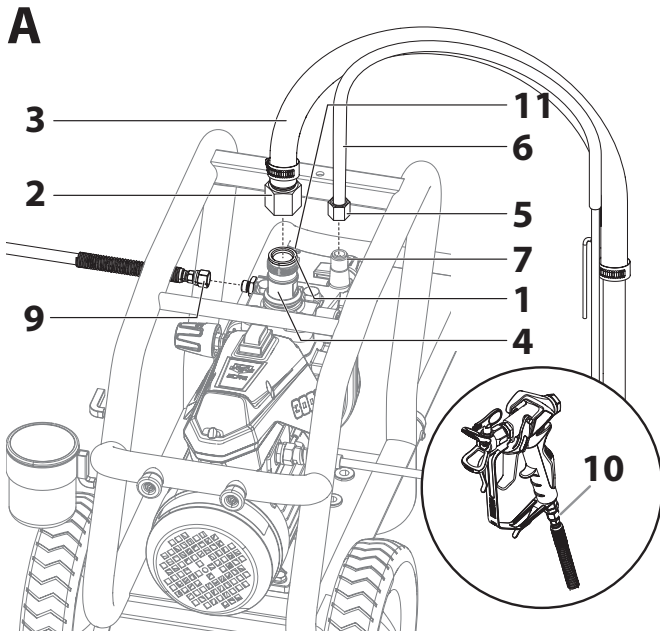
4 MISE EN SERVICE



Avant la mise en service, poussez la soupape d'admission vers le bas dans la conduite d'entrée de produits (4). Cela garantit que la soupape n'est pas collée/bloquée.

4.1 APPAREIL AVEC SYSTÈME D'ASPIRATION (A)

1. Veiller à la propreté des surfaces d'étanchéité des raccords. Veiller à ce que le manchon rouge (1) se trouve dans l'entrée de produit de revêtement (4).
2. Visser et serrer à la main l'écrou de fixation (2) du tube d'aspiration (3) sur l'entrée de produit de revêtement (4) en utilisant la clé (de 41 mm) fournie.
3. Visser l'écrou de fixation (5) du tuyau de retour (6) sur le raccord (7) (clé de 22 mm).

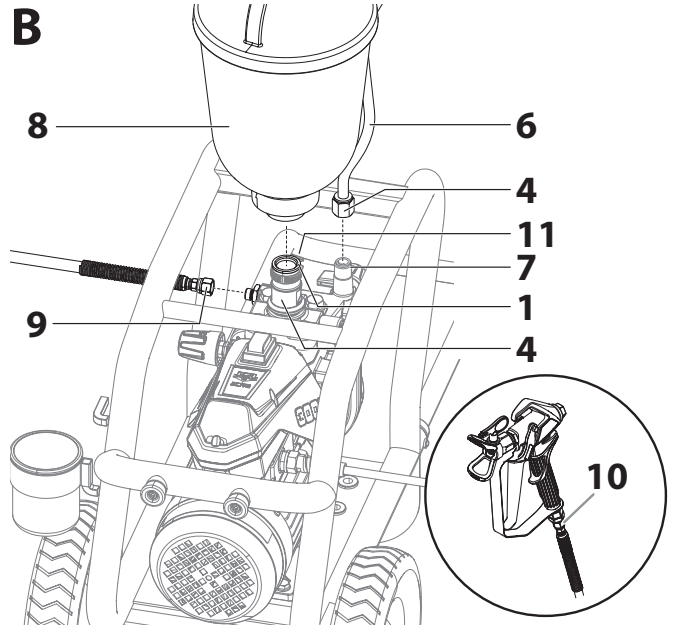


4.2 APPAREIL AVEC RÉCIPIENT SUPÉRIEUR OPTIONAL (B)



Il faudra enlever le support du seau afin d'installer le récipient supérieur sur l'appareil.

1. Veiller à la propreté des surfaces d'étanchéité des raccords. Veiller à ce que le manchon rouge (1) se trouve dans l'entrée de produit de revêtement (4).
2. Visser l'écrou de fixation (5) du tuyau de retour (6) sur le raccord (7).
3. Visser le récipient supérieur (8) sur l'entrée de produit de revêtement (4) et le serrer à la main.



4.3 TUYAU FLEXIBLE HAUTE PRESSION ET PISTOLET DE PULVÉRISATION

1. Visser le tuyau flexible haute pression (9) sur le raccordement pour flexible.
2. Visser le pistolet de pulvérisation (10) sur le tuyau flexible haute pression.
3. Serrer fermement tous les écrous-raccords du tuyau flexible haute pression, afin qu'il n'y ait pas de fuite de produit de revêtement.
4. Visser le porte-buse avec la buse sélectionnée sur le pistolet de pulvérisation, l'orienter et serrer à fond. (Voir également mode d'emploi du pistolet de pulvérisation/porte-buse.)
5. Enfoncer complètement la tige de poussée (11) afin de dégager la bille d'entrée.



Attention

Lors du vissage du tuyau flexible haute pression sur le raccordement pour flexible, bloquer avec une clé de 22 mm.

4.4 RACCORDEMENT AU RÉSEAU ÉLECTRIQUE



Attention

Le raccordement doit toujours se faire via une prise de courant de sécurité correctement mise à la terre avec protection contre les courants de fuite (disjoncteur différentiel).



Avant le raccordement au réseau électrique, veiller à ce que la tension de réseau corresponde aux indications sur la plaque signalétique de l'appareil.

4.5 ELIMINATION DE L'AGENT DE CONSERVATION LORS DE LA PREMIÈRE MISE EN SERVICE


APPAREIL AVEC SYSTÈME D'ASPIRATION

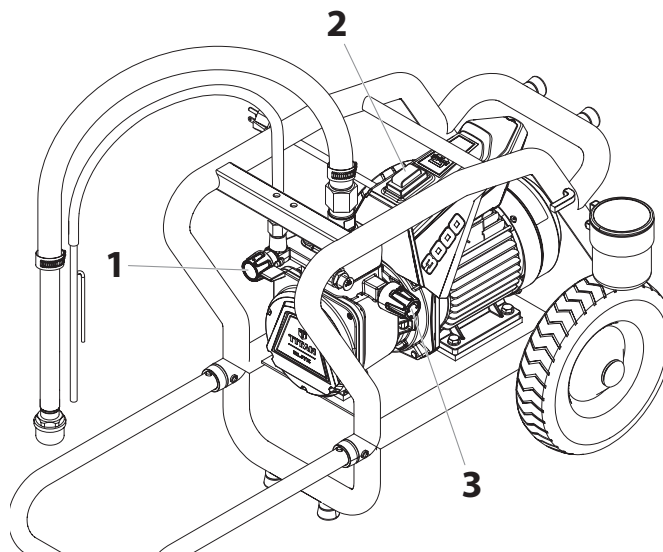
1. Plonger le système d'aspiration dans un récipient rempli d'un produit de nettoyage approprié. (Recommandation: de l'eau).

APPAREIL AVEC RÉCIPIENT SUPÉRIEUR (OPTIONAL)

2. Remplir le récipient supérieur avec un produit de nettoyage approprié. (Recommandation: de l'eau)
3. Mettre la vanne de décompression (pos. 1) sur «  » (circulation).
4. Allumer l'appareil (pos. 1) avec l'interrupteur ON/OFF (2).
5. Tourner le bouton de réglage de la pression (3) à fond vers la **droite**.
6. Attendre que le produit de nettoyage ressorte par le tuyau de retour.
7. Tourner le bouton de réglage de la pression (3) d'env. un tour vers la gauche.
8. Mettre la vanne de décompression (1) sur «  » (pulvérisation). La pression est établie dans le tuyau flexible haute pression.
9. Diriger la buse du pistolet de pulvérisation dans un récipient de collecte ouvert et tirer sur la gâchette du pistolet de pulvérisation.
10. La pression augmente lorsqu'on tourne le bouton de réglage de la pression (3) vers la **droite**.
11. Pulvériser le produit de nettoyage de l'appareil pendant env. 1-2 min. (~5 litres) dans le récipient de collecte ouvert.

4.6 DÉGAZER L'APPAREIL (SYSTÈME HYDRAULIQUE) SI ON N'ENTEND PAS LE BRUIT DE LA VANNE D'ASPIRATION

1. Enclencher l'appareil.
2. Tourner le bouton de réglage de la pression (3) de trois tours vers la **gauche**.
3. Mettre la vanne de décompression (pos. 1) sur «  » (circulation). Le système hydraulique se purge. Laisser le groupe pour environ 3 minutes en marche.
4. Tourner le bouton de réglage de la pression (3) à fond vers la droite.
5. Si ce n'est pas le cas, répéter les points 2 à 4.





4.7 MISE EN SERVICE DE L'APPAREIL AVEC LE PRODUIT DE REVÊTEMENT

APPAREIL AVEC SYSTÈME D'ASPIRATION

1. Plonger le système d'aspiration dans un récipient rempli du produit de revêtement.

APPAREIL AVEC RÉCIPIENT SUPÉRIEUR (OPTIONAL)

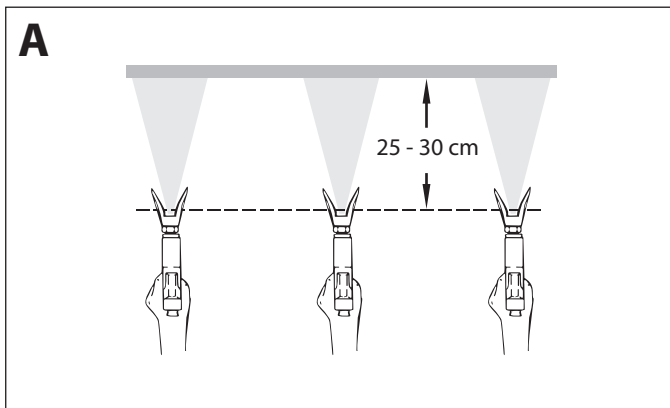
2. Remplir le récipient supérieur avec le produit de revêtement.
3. Mettre la vanne de décompression (pos. 1) sur «  » (circulation).
4. Allumer l'appareil (pos. 1) avec l'interrupteur ON/OFF (2).
5. Tourner le bouton de réglage de la pression (3) à fond vers la **droite**. Lorsque le bruit des vannes change, l'appareil est purgé et aspire du produit de revêtement.
6. Si le produit de revêtement sort du tuyau de retour, refermer le bouton de réglage de la pression (3) d'env. un tour.
7. Mettre la vanne de décompression (1) sur «  » (pulvérisation). La pression est établie dans le tuyau flexible haute pression.
8. Déclencher le pistolet de pulvérisation et pulvériser dans un récipient de collecte ouvert afin d'évacuer le reste de produit de nettoyage de l'appareil. Lorsque le produit de revêtement sort de la buse, fermer le pistolet de pulvérisation.
9. Régler la pression de pulvérisation en tournant le bouton de réglage de la pression (3).
10. L'appareil est prêt pour la pulvérisation.

5 TECHNIQUE DE PULVÉRISATION



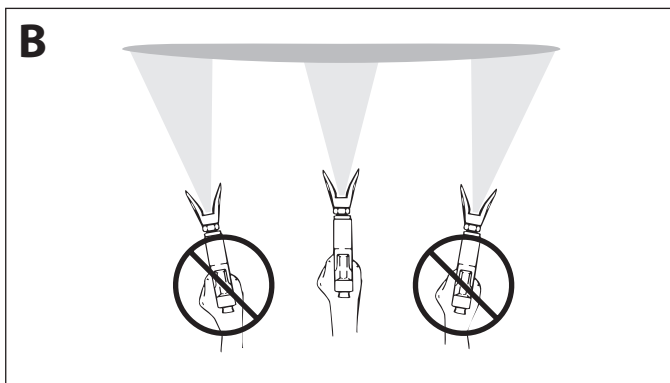
Risque d'injection. Ne pulvérisez pas sans avoir installé au préalable le protège-embout. N'appuyez JAMAIS sur la gâchette du pistolet si l'embout n'est pas sur la position de pulvérisation ou de débouchage. Bloquez toujours la gâchette du pistolet avant d'enlever, de remplacer ou de nettoyer l'embout.

- A)** Le secret pour réaliser un bon travail de peinture est d'appliquer une couche homogène sur toute la surface. Déplacez votre bras à une vitesse constante et maintenez le pistolet de pulvérisation à une distance régulière de la surface. La meilleure distance de pulvérisation entre l'embout et la surface est de 25-30 cm.

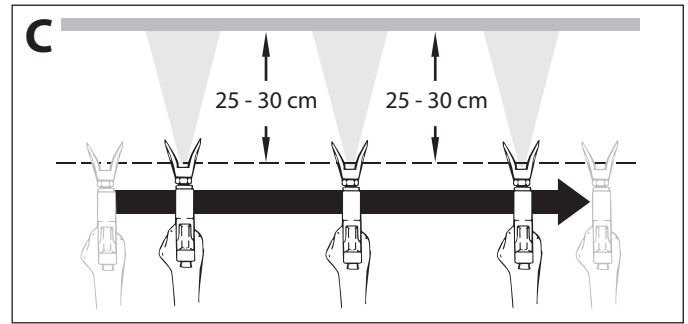


- B)** Maintenez le pistolet de pulvérisation à angle droit par rapport à la surface. Pour ce faire, vous devez faire des allers-retours avec tout le bras au lieu de simplement plier le poignet.

Maintenez le pistolet de pulvérisation perpendiculaire à la surface pour que la couche ne soit pas plus épaisse d'un côté que de l'autre.



- C)** Actionnez le pistolet après avoir commencé le passage. Relâchez la gâchette avant la fin du passage. Le pistolet pulvérisateur doit être en mouvement au moment d'appuyer sur la gâchette ou de la relâcher. Faites chevaucher les passages sur environ 30 %, pour garantir une couche uniforme.



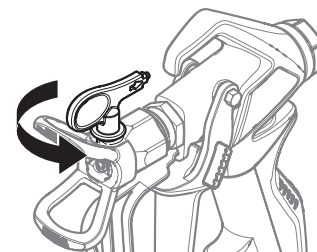
Si les bords de projection sont trop nets ou s'il y a des bandes dans le jet, il faut soit augmenter la pression de projection soit diluer davantage le produit.

5.1 NETTOYAGE D'UNE BUSE OBSTRUÉE



Si la répartition de la pulvérisation devient déformée ou s'arrête complètement en appuyant sur la détente, suivre les étapes ci-dessous.

- Ouvrir la vanne de décharge à la position PRIME (↻ circulation).
- Si la buse est obstruée, faites tourner la poignée de la buse à 180° jusqu'à ce que la flèche figurant sur la poignée indique l'opposé de la direction de pulvérisation et que la poignée s'enclenche en position inversée.
- Fermer la vanne de décharge, position SPRAY (➤ projection).




- Appuyez une fois sur la détente du pistolet pour que la pression débouche la buse. N'appuyez JAMAIS deux fois de suite sur la détente lorsque la buse est dans la position inversée. Cette procédure peut être répétée jusqu'à ce que la buse ne soit plus obstruée.



Le flux sortant de la buse de pulvérisation est à très forte pression. Tout contact avec une quelconque partie du corps peut s'avérer dangereux. Ne mettez pas de doigt sur l'embout du pistolet. Ne visez personne avec le pistolet. N'utilisez jamais le pistolet pulvérisateur sans disposer du protège-embout approprié.

6 MANIPULATION DU TUYAU FLEXIBLE HAUTE PRESSION

L'appareil est équipé d'un tuyau flexible haute pression spécialement approprié pour une pompe à membrane.




	<p>Danger de blessure en cas de tuyau flexible haute pression non étanche. Remplacer immédiatement un tuyau flexible haute pression endommagé.</p> <p>Ne jamais essayer de réparer un tuyau flexible haute pression endommagé!</p>
---	--

Le tuyau flexible haute pression doit être traité avec soin. Il faut éviter de trop plier le flexible; le plus petit rayon ne doit pas être inférieur à 20 cm.


Protéger le flexible **contre le passage de véhicules** et éviter le frottement sur des arêtes vives.


Ne jamais tirer sur le flexible à haute pression pour déplacer l'appareil.

Faire attention à ne pas tordre le flexible à haute pression. Cela peut être évité en utilisant un pistolet pulvérisateur de TITAN avec une articulation pivotante et un dévidoir de tuyau.

	<p>Pour la manipulation du tuyau flexible haute pression lors de travaux sur un échafaudage, il s'est avéré comme le plus avantageux de toujours laisser le tuyau flexible du côté extérieur de l'échafaudage.</p>
	<p>Le risque d'endommagements s'accroît dans le cas des vieux flexibles à haute pression.</p> <p>Titan recommande de remplacer le flexible à haute pression au bout de 6 ans.</p>
	<p>Pour des raisons de fonctionnement, de sécurité et de durée de vie, utiliser exclusivement des tuyaux flexibles à haute pression d'origine de TITAN.</p>

7 INTERRUPTION DE TRAVAIL

1. Mettre la vanne de décompression sur «  » (circulation). Mettre l'appareil hors service (pos. 0).
2. Déclencher la gâchette du pistolet de pulvérisation pour évacuer la pression du tuyau flexible haute pression et du pistolet de pulvérisation.
3. Verrouiller le pistolet de pulvérisation, voir mode d'emploi du pistolet de pulvérisation.
4. Enlever la buse du porte-buse et l'entreposer dans un petit récipient avec un produit de nettoyage approprié.
5. Laisser le système d'aspiration plongé dans le produit de revêtement ou le plonger dans le produit de nettoyage approprié. Ne pas laisser sécher le produit dans le filtre d'aspiration et l'appareil.
6. Couvrir le récipient de peinture afin d'empêcher la peinture de sécher.

	<p>Lors de la mise en oeuvre de peintures à séchage rapide ou de produits de revêtement à deux composants, rincer sans faute le groupe à l'intérieur du temps d'utilisation avec le produit de nettoyage adéquat, sinon l'appareil ne pourra plus être nettoyé que très difficilement.</p>
---	--

8 NETTOYAGE DE L'APPAREIL



La propreté est le garant le plus sûr d'un fonctionnement sans incidents. Après avoir terminé le travail, nettoyer le matériel. Il faut éviter absolument que des restes de produit sèchent dans l'appareil. Le produit utilisé pour le nettoyage (point d'éclair supérieur à 38 °C) doit correspondre au produit de revêtement employé.



Pour les produits de revêtement diluables dans l'eau, l'emploi d'eau chaude renforce l'effet de nettoyage.

- **Verrouiller le pistolet de pulvérisation**, voir mode d'emploi du pistolet de pulvérisation.
- Démontez et nettoyez la buse et le porte-buse.

APPAREIL AVEC SYSTÈME D'ASPIRATION


1. Mettre la vanne de décompression sur «  » (circulation).
2. Allumer l'appareil (pos. I) avec l'interrupteur ON/OFF.
3. Enlever le tuyau d'aspiration du récipient de peinture. Le tuyau de retour reste au-dessus du récipient de peinture jusqu'à ce qu'il ne sorte pratiquement plus de produit de revêtement.
4. Plonger le système d'aspiration dans un produit de nettoyage approprié.
5. Tourner la vanne de réglage de pression en arrière afin de régler une pression de pulvérisation minimale.
6. Mettre la vanne de décompression sur «  » (pulvérisation).
7. Déclencher la gâchette du pistolet de pulvérisation pour pomper le produit de revêtement résiduaire du tuyau flexible haute pression et du pistolet de pulvérisation dans un récipient ouvert (augmenter éventuellement lentement la pression à la vanne de régulation de pression afin d'obtenir un meilleur pompage du matériau).



Pour les produits de revêtement contenant un solvant, le récipient doit être mis à la terre.





Prudence! Ne pas pomper ou pulvériser dans un récipient n'ayant qu'une seule petite ouverture (bonde)!
Voir prescriptions de sécurité.



8. Mettre la vanne de décompression sur «  » (circulation).
9. Pomper un produit de nettoyage approprié pendant quelques minutes en circuit fermé.



L'effet de nettoyage est renforcé si le pistolet de pulvérisation est ouvert et fermé en alternance.

10. Mettre la vanne de décompression sur «  » (pulvérisation).
11. Pomper le reste de produit de nettoyage dans un récipient ouvert jusqu'à ce que l'appareil soit vide.
12. Mettre la vanne de décompression sur «  » (circulation).
13. Mettre l'appareil hors service (pos. 0).

APPAREIL AVEC RÉCIPIENT SUPÉRIEUR (OPTIONAL)




1. Mettre la vanne de décompression sur «  » (circulation).
2. Allumer l'appareil (pos. I) avec l'interrupteur ON/OFF.
3. Tourner la vanne de réglage de pression en arrière afin de régler une pression de pulvérisation minimale.
4. Mettre la vanne de décompression sur «  » (pulvérisation).
5. Déclencher la gâchette du pistolet de pulvérisation pour pomper le produit de revêtement résiduaire du récipient supérieur, du tuyau flexible haute pression et du pistolet de pulvérisation dans un récipient ouvert (augmenter éventuellement lentement la pression à la vanne de régulation de pression afin d'obtenir un meilleur pompage du matériau).





Pour les produits de revêtement contenant un solvant, le récipient doit être mis à la terre.



Prudence! Ne pas pomper ou pulvériser dans un récipient n'ayant qu'une seule petite ouverture (bonde)!
Voir prescriptions de sécurité.


6. Remplir le récipient supérieur avec un produit de nettoyage approprié.
7. Mettre la vanne de décompression sur «  » (circulation).
8. Pomper un produit de nettoyage approprié pendant quelques minutes en circuit fermé.
9. Mettre la vanne de décompression sur «  » (pulvérisation).
10. Pomper le reste de produit de nettoyage dans un récipient ouvert jusqu'à ce que l'appareil soit vide.
11. Mettre la vanne de décompression sur «  » (circulation).
12. Mettre l'appareil hors service (pos. 0).

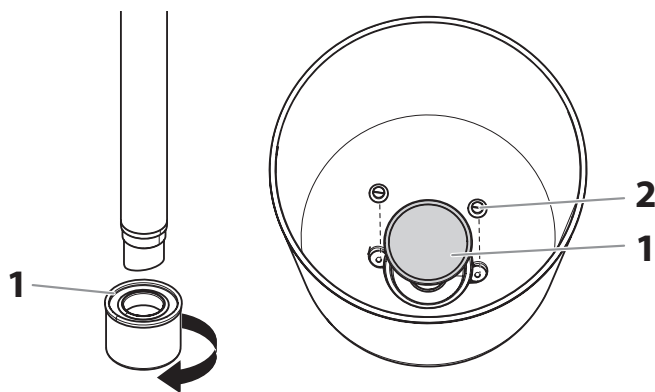
8.1 NETTOYAGE EXTÉRIEUR DE L'APPAREIL

	<p>Tirer d'abord la fiche secteur de la prise de courant. Danger de court-circuit par pénétration d'eau! Ne jamais nettoyer l'appareil à l'aide d'un jet d'eau ou de vapeur sous pression.</p>
 <p>Attention</p>	<p>Ne pas placer le flexible à haute pression dans du solvant. Essuyer l'extérieur uniquement avec un chiffon imprégné.</p>

Essuyer l'extérieur de l'appareil à l'aide d'un chiffon imbibé du produit de nettoyage adéquat.

8.2 FILTRE D'ASPIRATION

	<p>Des filtres propres assurent toujours un débit maximum, une pression de pulvérisation constante ainsi qu'un fonctionnement correct de l'appareil.</p>
---	--



SYSTÈME D'ASPIRATION RÉCIPIENT SUPÉRIEUR


APPAREIL AVEC SYSTÈME D'ASPIRATION

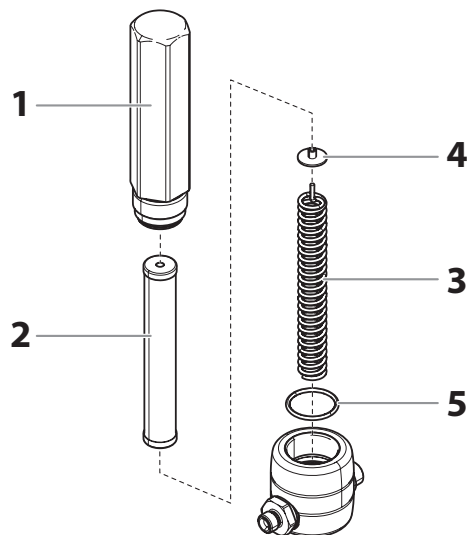
1. Dévisser la crépine (réf. 1) du tuyau d'aspiration.
2. Nettoyer la crépine ou la remplacer.
Effectuer le nettoyage à l'aide d'un pinceau dur et d'un produit de nettoyage approprié.

APPAREIL AVEC RÉCIPIENT SUPÉRIEUR (OPTIONAL)

1. Desserrer les vis (2) avec un tournevis.
2. Soulever le disque filtrant (1) avec un tournevis et l'enlever.
3. Nettoyer ou remplacer le disque filtrant.
Effectuer le nettoyage à l'aide d'un pinceau dur et d'un produit de nettoyage approprié.

8.3 FILTRE HAUTE PRESSION (ACCESSOIRE)

1. Mettre la vanne de décompression sur «  » (circulation).
2. Mettre l'appareil hors service (pos. 0).
3. Ouvrir le filtre haute pression et nettoyer la cartouche de filtration, à cet effet:
4. Dévisser le boîtier de filtre (1) à la main.
5. Enlever l'élément filtrant (2) et extraire le ressort de support (3).
6. Nettoyer toutes les pièces avec le produit de nettoyage approprié. Si de l'air comprimé est disponible, souffler l'élément filtrant ainsi que le ressort de support.
7. Lors du montage du filtre, veiller à la position correcte du disque de support (4) dans l'élément filtrant et contrôler que le joint torique (5) du boîtier de filtre n'est pas détérioré.
8. Visser le boîtier de filtre à la main jusqu'à la butée (une force de serrage excessive ne fait que compliquer un démontage ultérieur).



8.4 NETTOYAGE DU PISTOLET DE PULVÉRISATION AIRLESS

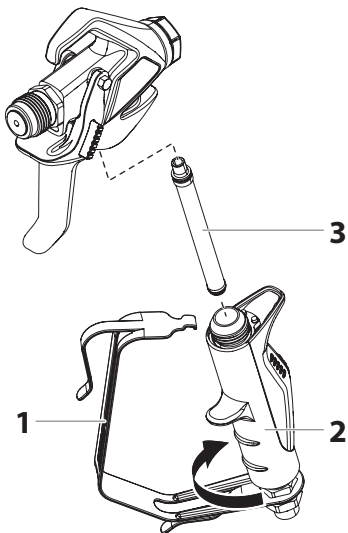
1. Rincer le pistolet Airless à faible pression de service avec le produit de nettoyage adéquat.
2. Nettoyer soigneusement la buse avec le produit adéquat de manière à éliminer les restes de produit.
3. Nettoyer soigneusement l'extérieur du pistolet.



Nettoyez le pistolet de pulvérisation après chaque utilisation.

TAMIS DE CROSSE DANS LE PISTOLET AIRLESS

1. Détachez le dessus du pontet (1) de la tête du pistolet.
2. En se servant de la partie inférieure du pontet comme clé, desserrez et enlevez l'ensemble de la poignée (2) de la tête du pistolet.
3. Extrayez le filtre (3) usagé de la tête du pistolet. Nettoyez ou remplacez.
4. Faites glisser le nouveau filtre, la partie fileté en premier, dans la tête du pistolet.
5. Placez le joint de la poignée dans la tête du pistolet avec la partie plate du joint vers la tête du pistolet. Serrez à l'aide de la clé de la détente.
6. Enclenchez à nouveau le pontet sur la tête du pistolet.



9 MAINTENANCE

9.1 MAINTENANCE GÉNÉRALE



Pour des raisons de sécurité, une inspection annuelle est fortement recommandée, qui doit être réalisée par des spécialistes. À ce sujet, vous devez également tenir compte des réglementations nationales.

CONTRÔLES MINIMAUX AVANT TOUTE MISE EN SERVICE

1. Contrôler le bon état du tuyau flexible haute pression, du pistolet de pulvérisation avec articulation tournante et de la ligne de raccordement d'appareil avec fiche.
2. Contrôler la précision d'affichage du manomètre.

CONTRÔLES À INTERVALLES RÉGULIERS

1. Contrôler l'usure de la vanne d'aspiration, du clapet de refoulement et les nettoyer et remplacer les pièces d'usure.
2. Nettoyer et le cas échéant remplacer les éléments filtrants (pistolet de pulvérisation, système d'aspiration).

9.2 TUYAU FLEXIBLE HAUTE PRESSION

Contrôler visuellement le tuyau flexible haute pression pour entailles ou bosses éventuellement présentes, en particulier à la transition dans le raccord. Les écrous-raccords doivent pouvoir tourner librement. Une conductibilité inférieure à 1 mégohm doit être présente sur toute la longueur.



Attention

Faire effectuer tous les contrôles électriques par le service après-vente de TITAN.

Le risque d'endommagements s'accroît dans le cas des vieux flexibles à haute pression.

Titan recommande de remplacer le flexible à haute pression au bout de 6 ans.

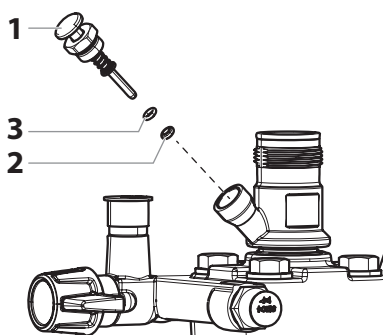
10 RÉPARATIONS SUR L'APPAREIL



Arrêter l'appareil.
Avant toutes réparations, tirer la fiche de la prise de courant.

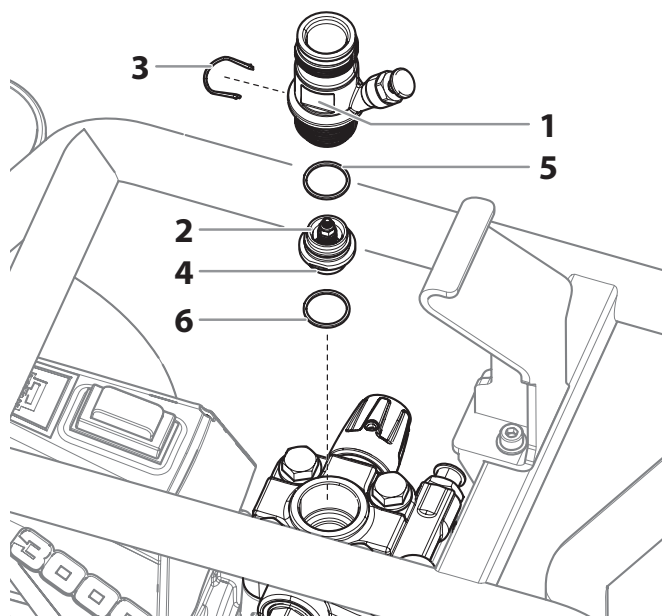
10.1 POUSSOIR DE LA VANNE D'ASPIRATION

1. Dévisser le poussoir de la vanne d'aspiration avec une clé (de 17 mm) (1).
2. Remplacer le racleur (1) et le joint torique (2).



10.2 VANNE D'ASPIRATION

1. Placer la clé fournie (30 mm) sur le boîtier (1).
2. Déverrouiller le boîtier (1) en donnant de légers coups de marteaux sur l'extrémité de la clé.
3. Dévisser le boîtier et la soupape d'admission (2) du pot de peinture.
4. Enlever l'agrafe (3) avec le tournevis fourni.
5. Placer la clé (de 30 mm) fournie sur la vanne d'aspiration (2). Enlever prudemment la vanne d'aspiration d'un mouvement de rotation.
6. Nettoyer le siège de vanne (4) avec du produit de nettoyage et un pinceau (veiller à ce qu'il ne reste pas de poils de pinceau).
7. Nettoyer les joints (5, 6) et contrôler s'ils sont endommagés, remplacer le cas échéant.
8. Contrôler toutes les pièces de la vanne pour détérioration éventuelle. En cas d'usure visible, remplacer la vanne d'aspiration.



MONTAGE

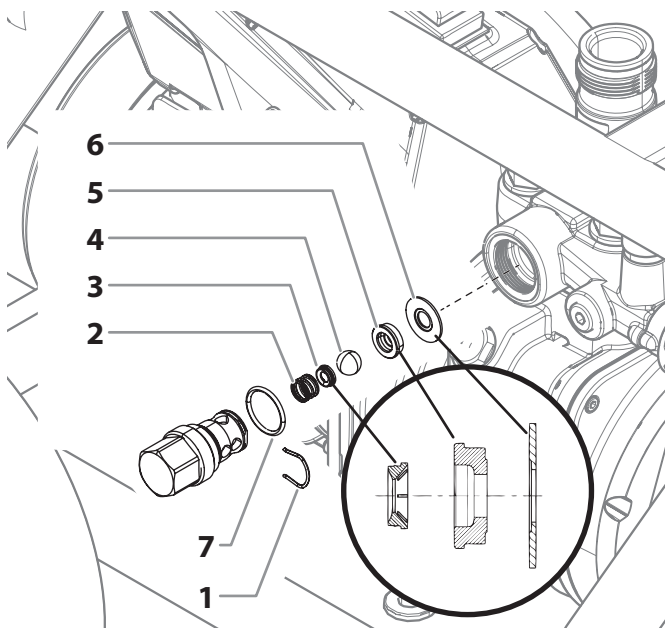
1. Insérer la soupape d'admission (2) dans le boîtier (1) et sécuriser à l'aide d'un bracelet (3). Veiller à ce que le joint noir (5) soit bien installé sur le boîtier.
2. Visser l'unité composée du boîtier et de la soupape d'admission dans le pot de peinture. Le même joint noir (6) doit être fixé dans le pot de peinture.
3. Resserer le boîtier avec la clé (30 mm) et tirer sur l'extrémité de la clé en donnant de légers coups de marteau (correspond à couple d'environ 90 Nm).

10.3 CLAPET DE REFOULEMENT

1. Dévisser le clapet de refoulement de l'étage de peinture avec la clé (de 22 mm).
2. Extraire prudemment l'agrafe (1) avec le tournevis fourni, le ressort de compression (2) expulse la bille (4) et le siège de vanne (5).
3. Nettoyer ou remplacer les pièces individuelles.
4. Contrôler le joint torique (7) pour détérioration éventuelle.
5. Veiller à la position de montage lors du montage de la bague-support (3) (se clipse dans le ressort de compression (2)), du siège de clapet de refoulement (5) et de la bague d'étanchéité (6) -> voir figure.

IL FAUDRA ENLEVER LE SUPPORT DU SEAU AFIN D'INSTALLER LE RÉCIPIENT SUPÉRIEUR SUR L'APPAREIL.

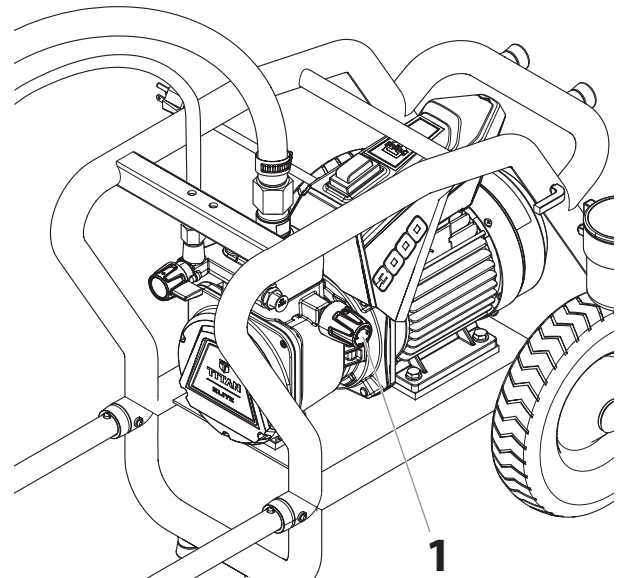
1. Frapper doucement le bout de la clé (20 mm) à l'aide d'un marteau afin de serrer complètement la soupape de sortie dans le pot de peinture (cela correspond à un couple d'environ 90 Nm).
2. Pendant le fonctionnement normal, vérifier régulièrement si la soupape de sortie a pu s'être desserrée.
3. Toujours remplacer le joint (6) si vous avez démonté la soupape de sortie, peu importe la composante à remplacer. Remarque : Le joint (6) se trouve à l'intérieur du pot de peinture.
4. La rainure du joint (6) pointe vers l'extérieur lorsqu'on remplace le joint.



10.4 VANNE DE RÉGLAGE DE PRESSION



Faire remplacer la vanne de réglage de pression (1) uniquement par le Titan service après-vente. La pression de service max. doit être à nouveau réglée par le Titan service après-vente.



10.5 REMPLACEMENT DU CORDON D'ALIMENTATION

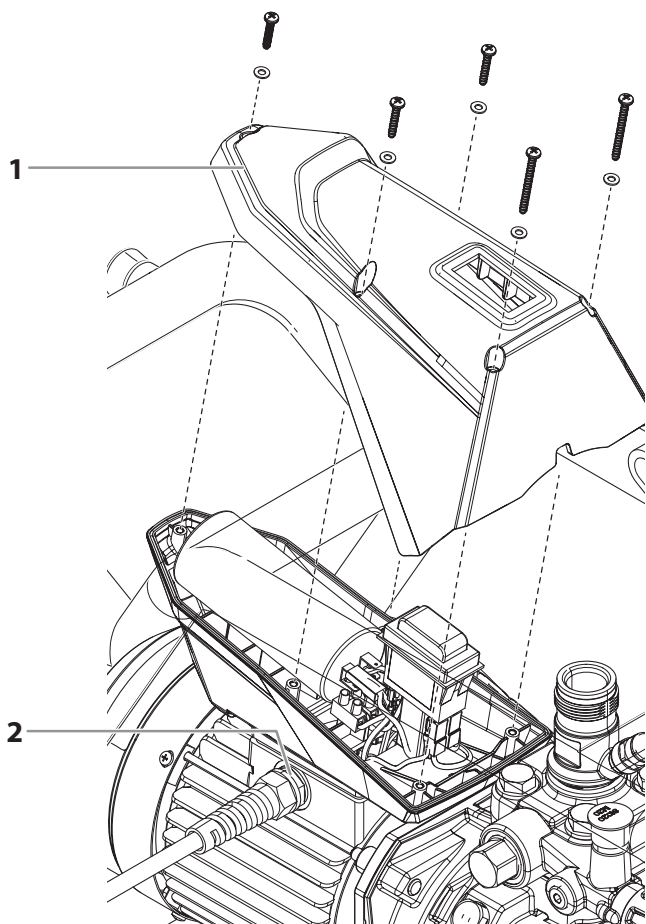


Faire effectuer ces interventions uniquement par un électricien. Nous déclinons toute responsabilité dans le cas d'une installation incorrecte.

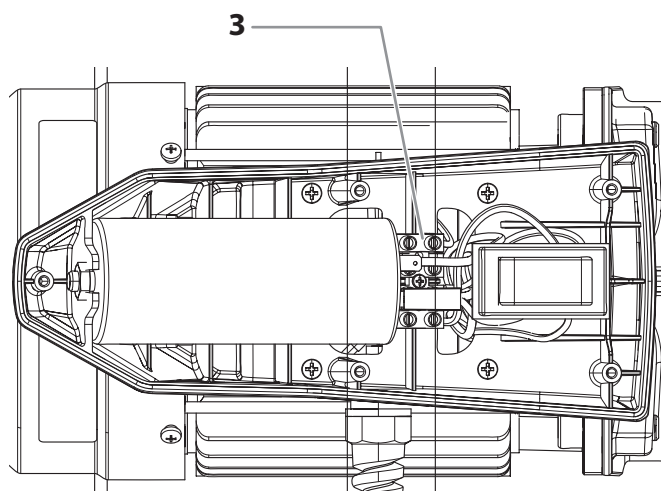
Arrêter l'appareil.

Avant toutes réparations, tirer la fiche de la prise de courant.

1. Déposer le capot arrière (1) en desserrant les vis.
2. Desserrer le passe-câble à vis (2).



3. Détacher les fils de la borne de raccordement secteur (3).
4. Remplacement du cordon d'alimentation.
5. Monter la tresse vert/jaune au raccordement PE.
6. Remonter soigneusement les capots (Attention! Ne pas coincer de câble!).



10.6 PIÈCES D'USURE TYPIQUES

Malgré l'utilisation de matériaux de qualité supérieure, on doit s'attendre à l'usure des éléments suivants du fait de l'action fortement abrasive des peintures:

VANNE D'ASPIRATION

(pièce de rechange réf.: 0344700)

Remplacement, voir point 10.1

(La panne se remarque par une perte de puissance et/ou une mauvaise aspiration, voire pas d'aspiration du tout - un nettoyage approfondi peut également déjà apporter une amélioration.)

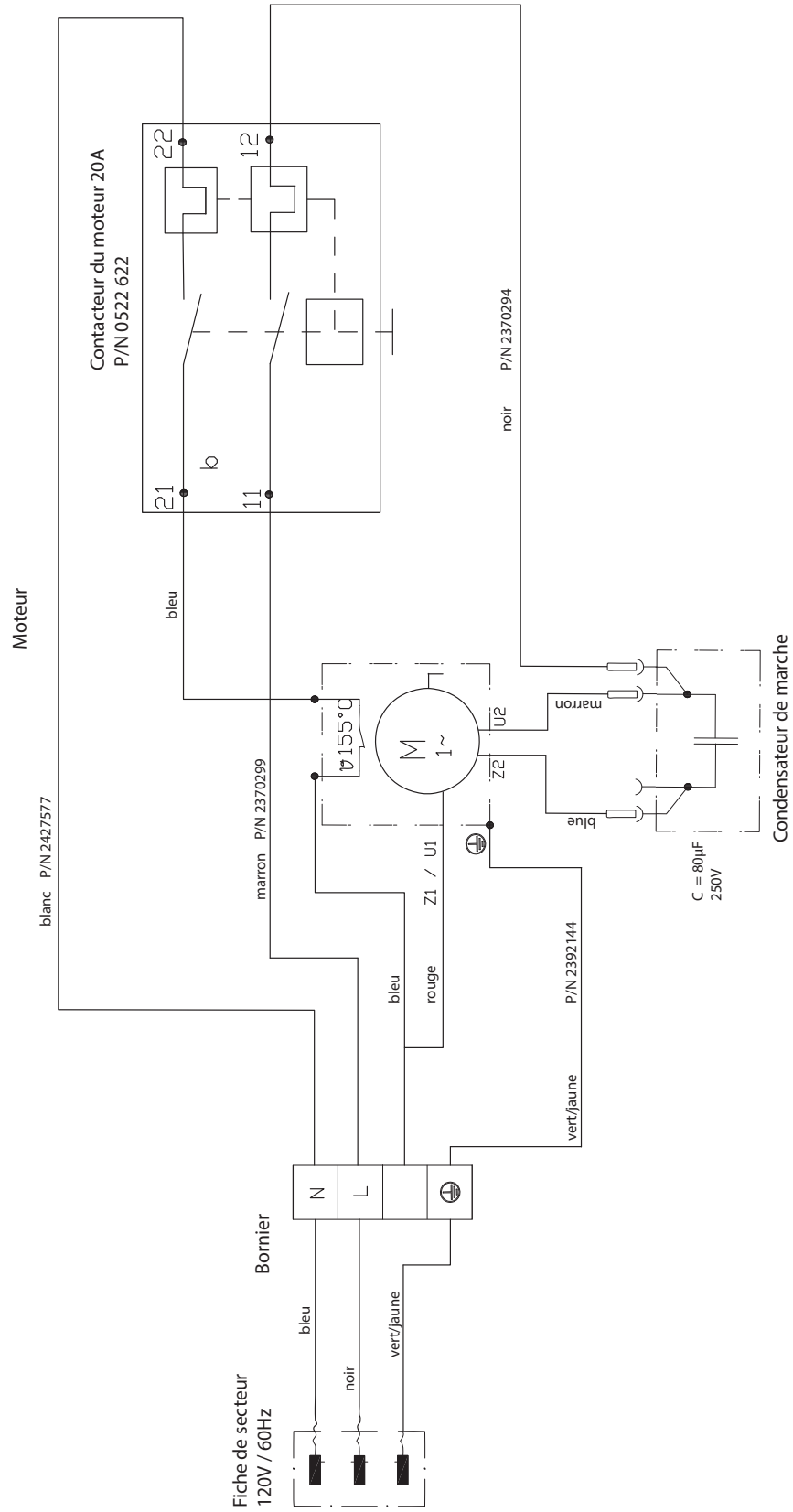
CLAPET DE REFOULEMENT

(pièce de rechange réf.: 0341702)


Remplacement, voir point 10.2

(Un défaut se fait remarquer par une perte de puissance et/ou une aspiration insuffisante.) Le clapet de refoulement a d'expérience une durée de vie plus longue que la vanne d'aspiration. Un nettoyage approfondi est ici éventuellement déjà suffisant.

10.7 SCHÉMA ÉLECTRIQUE



10.8 AIDE EN CAS DE PANNES

Type de la panne	Quoi encore?	Cause possible	Mesures de dépannage
L'appareil ne démarre pas.	L'appareil ne démarre pas après avoir été branché et mis en marche.	Pas de courant.	Contrôler l'alimentation.
		Le fusible de l'appareil a déclenché.	Laisser refroidir le moteur.
		Le condensateur de la boîte à bornes est grillé	Remplacer le condensateur
		Le courant du pulvérisateur a été coupé pendant qu'il était encore sous pression	Mettre la vanne de décompression sur «  » (circulation)
		La protection thermique du pulvérisateur est surchargée.	Débrancher le cordon d'alimentation, couper le courant et laisser l'appareil se refroidir.
L'appareil n'aspire.	Il ne sort pas de bulles d'air du tuyau de retour.	Soupape d'admission ou de sortie bloquée / usée	Démonter la soupape et la nettoyer (-> voir les points 10.1/10.2). Remplacer les pièces usées
		Vanne de régulation de pression entièrement tournée en arrière.	Tournez la vanne de régulation de pression à fond vers la droite.
	Des bulles d'air sortent du tuyau de retour.	L'appareil aspire de l'air parasite.	Contrôle: le système d'aspiration est-il convenablement serré?
			Organe d'admission rouge à l'entrée du produit de revêtement (-> voir point 4.1)
L'appareil ne génère pas de pression.	L'appareil a aspiré.	Air dans le circuit d'huile. (Raisons possibles : Longue période sans utilisation, remplacement du diaphragme ou changement d'huile hydraulique)	Purgez le circuit d'huile de l'appareil; (-> voir le 4.6)
		L'appareil est arrivé en pression, mais la pression chute lors de la pulvérisation.	Filtre d'aspiration bouché.
	La peinture ne peut pas être mise en œuvre dans cet état, la peinture colle les vannes (vanne d'aspiration) par ses caractéristiques et le débit est trop faible.		Diluer la peinture.
	Des filtres bouchés laissent passer trop peu de peinture.		Contrôler/nettoyer le (filtre haute pression si présent,) le filtre du pistolet.
	Buse bouchée.		Nettoyer la buse.
	L'appareil ne génère pas la pression max. possible, de la peinture sort du tuyau de retour malgré la position de pulvérisation.	Vanne de décharge défectueuse.	Veillez vous adresser au service après-vente Titan
	Après une longue période, la pression chute ou le rendement du tube d'aspiration diminue (même si les filtres raccordés ne sont pas obstrués).	La vanne d'aspiration est usée	Remplacer la vanne d'aspiration
		Le clapet de refoulement est usé	Remplacer le clapet de refoulement
		La buse est usée	Remplacer la buse

GARANTIE

Titan Tool, Inc. ("Titan") garantit qu'au moment de la livraison à l'acheteur initial ("Utilisateur"), l'appareil couvert par la présente garantie sera exempt de défauts de matériaux et de fabrication. Exception faite de toute garantie particulière ou limitée et de toute extension de garantie publiées par Titan, la responsabilité de celui-ci se limite, en vertu de la présente garantie, au remplacement ou à la réparation sans frais des pièces dont le caractère défectueux aura été démontré de manière satisfaisante pour Titan, dans un délai de douze (12) mois après la date d'achat par l'Utilisateur. Cette garantie ne sera applicable que si l'appareil a été installé et utilisé conformément aux recommandations et directives de Titan.

Cette garantie ne sera pas applicable dans les cas d'endommagement ou d'usure dus à l'abrasion, la corrosion, un mauvais usage, la négligence, un accident, une installation incorrecte, un remplacement par des composants non fournis par Titan ou toute autre intervention non autorisée de nature à nuire au fonctionnement normal de l'appareil.

Les pièces défectueuses devront être envoyées à un centre de service / vente Titan autorisé. Les frais de transport couvrant y compris le retour à l'usine, seront, le cas échéant, prépayés par l'Utilisateur. Après réparation ou remplacement, les pièces seront renvoyées à ce dernier par transport prépayé.

AUCUNE AUTRE GARANTIE EXPRESSE N'EST ACCORDÉE. TITAN REJETTE TOUTE AUTRE GARANTIE IMPLICITE Y COMPRIS, NOTAMMENT, LES GARANTIES DE QUALITÉ MARCHANDE ET DE COMPATIBILITÉ AVEC UN USAGE PARTICULIER, DANS LES LIMITES PERMISES PAR LA LOI.

LA DURÉE DES GARANTIES IMPLICITES NE POUVANT FAIRE L'OBJET D'UNE RENONCIATION SE LIMITE À LA PÉRIODE INDIQUÉE DANS LA GARANTIE EXPRESSE.

LA RESPONSABILITÉ DE TITAN NE SAURAIT EN AUCUN CAS ÊTRE ENGAGÉE POUR UN MONTANT SUPÉRIEUR À CELUI DU PRIX D'ACHAT. TITAN EXCLUT TOUTE RESPONSABILITÉ RELATIVE AUX DOMMAGES INDIRECTS, ACCESSOIRES OU PARTICULIERS, DANS LES LIMITES PRÉVUES PAR LA LOI.

TITAN NE DONNE AUCUNE GARANTIE ET DÉCLINE TOUTE GARANTIE IMPLICITE DE QUALITÉ MARCHANDE ET DE COMPATIBILITÉ AVEC UN USAGE PARTICULIER EN CE QUI CONCERNE LES ACCESSOIRES, L'APPAREIL, LES MATÉRIAUX OU LES COMPOSANTS VENDUS MAIS NON FABRIQUÉS PAR TITAN. CES DERNIERS ÉLÉMENTS, VENDUS MAIS NON FABRIQUÉS PAR TITAN (MOTEURS À ESSENCE, COMMUTATEURS, FLEXIBLES, ETC.), SONT SOUMIS, LE CAS ÉCHÉANT, À LA GARANTIE DU FABRICANT. TITAN S'ENGAGE À PORTER ASSISTANCE AUX ACHETEURS, DANS LES LIMITES DU RAISONNABLE, POUR LA CONSTITUTION DE RÉCLAMATIONS RELATIVES AU NON RESPECT DE CES GARANTIES.

¡Advertencia!

¡Atención: Peligro de lesiones por inyección!

Los equipos Airless producen unas presiones de pulverización extremadamente altas.



1

¡Nunca poner en contacto con el chorro de pulverización ni los dedos, ni las manos ni otras partes del cuerpo!

No dirigir nunca la pistola de pulverización hacia sí mismo, en dirección a otras personas y a animales.

No utilizar jamás la pistola sin el protector contra contactos.

No trate una lesión por pulverización como una lesión de corte inocua. En caso de lesiones cutáneas por contacto con material de recubrimiento o disolvente, consultar inmediatamente a un médico para un tratamiento rápido y correcto. Informe al médico sobre el material de recubrimiento o disolvente utilizado.

2

Antes de toda puesta en funcionamiento se tendrán en cuenta los puntos siguientes; conforme a las instrucciones de uso:

1. No utilizar equipo defectuoso.
2. Asegurar la pistola mediante la palanca de seguridad que se encuentra en la misma.
3. Asegurar la puesta a tierra.
4. Verificar la presión de servicio admitida por la manguera de alta presión y la pistola de pulverización.
5. Controlar la hermeticidad de todos los elementos de unión.

3

Respetar estrictamente las instrucciones dadas para la limpieza y el mantenimiento del equipo que deben efectuarse con toda regularidad.

Antes de cualquier trabajo en el equipo y durante todas las pausas de trabajo, respetar sin falta las reglas siguientes:

1. Descargar la presión de la pistola y la manguera.
2. Asegurar la pistola mediante la palanca de seguridad que se encuentra en la misma.
3. Desconectar el aparato.

¡Preste atención a la seguridad!

1	NORMAS DE SEGURIDAD PARA LA PULVERIZACIÓN AIRLESS	52	8	LIMPIEZA DEL EQUIPO	65
1.1	Explicación de los símbolos utilizados	52	8.1	Limpieza del equipo por fuera	66
1.2	Instrucciones para la conexión a tierra	52	8.2	Filtro de aspiración	66
1.3	Peligros para la seguridad	52	8.3	Filtro de alta presión (accesorio)	66
1.4	Instalación en superficies irregulares	55	8.4	Limpieza de la pistola de pulverización Airless	67
2	SINOPSIS DE APLICACIÓN	56	9	MANTENIMIENTO	67
2.1	Campos de aplicación	56	9.1	Mantenimiento general	67
2.2	Material de recubrimiento	56	9.2	Manguera de alta presión	67
2.2.1	Materiales de recubrimiento con sustancias accesorias de canto vivo	56	10	REPARACIONES EN EL EQUIPO	68
2.2.2	Filtrado	56	10.1	Pulsador de válvula de admisión	68
2.3	Configuraciones de pulverización	57	10.2	Válvula de admisión	68
3	DESCRIPCIÓN DEL EQUIPO	58	10.3	Válvula de escape	69
3.1	Proceso Airless	58	10.4	Válvula reguladora de presión	69
3.2	Funcionamiento del equipo	58	10.5	Sustitución del cable de conexión	70
3.3	Cuadros explicativos	59	10.6	Consumibles típicos	70
3.4	Configuración de la barra	60	10.7	Esquema eléctrico	71
3.5	Datos técnicos	60	10.8	Procedimiento en caso de averías	72
4	PUESTA EN SERVICIO	61	GARANTÍA		73
4.1	Equipo con sistema de aspiración	61	PIEZAS DE REPUESTOS Y ACCESORIOS		74
4.2	Equipo con depósito superior	61	Lista de repuestos para conjunto principal		74/75
4.3	Manguera de alta presión y pistola de pulverización	61	Lista de repuestos para carro		76/77
4.4	Conexión a la red de alimentación	61	Lista de repuestos para el conjunto de motor y bomba		78/79
4.5	Primera puesta en servicio limpieza de medios de conservación	62	Lista de repuestos para el conjunto de bomba		80/81
4.6	Purgar el aire del equipo (sistema hidráulico), si no se escucha el ruido de la válvula de admisión	62	Lista de repuestos para el conjunto de válvula de salida		82
4.7	Poner el equipo en marcha con material de recubrimiento	62	Lista de repuestos para el conjunto de vástago impulsor		83
5	TÉCNICA DE PULVERIZACIÓN	63	Lista de repuestos para el sistema de succión flexible		84
5.1	Limpieza de una boquilla obstruida	63	Lista de repuestos para el sistema de succión rígido		85
6	MANEJO DE LA MANGUERA DE ALTA PRESIÓN	64	Lista de repuestos para el conjunto de filtro (opcional)		86
7	INTERRUPCIÓN DEL TRABAJO	64	Lista de repuestos para la tolva (opcional)		87
			ACCESORIOS		88/89

1 NORMAS DE SEGURIDAD PARA LA PULVERIZACIÓN AIRLESS

1.1 EXPLICACIÓN DE LOS SÍMBOLOS UTILIZADOS

El presente manual contiene información que deberá leer y comprender bien antes de utilizar el equipo. Cuando llegue a una sección que tenga uno de los siguientes símbolos, preste especial atención y asegúrese de que se cumplen las medidas de seguridad.



→ Este símbolo indica un peligro potencial que puede provocar lesiones graves e incluso la muerte. A continuación se incluye información importante de seguridad.



→ Este símbolo indica un peligro potencial para usted o para el equipo. A continuación se incluye información importante para evitar daños al equipo o evitar situaciones que podrían provocar lesiones de segundo orden.



→ Peligro de lesiones por inyección



→ Peligro de incendio



→ Peligro de explosión



→ Mezclas de vapores tóxicos y/o inflamables. Peligro de intoxicación y quemadura



→ Peligro de descarga eléctrica



→ Las notas añaden información importante a la que debe prestarse especial atención.

1.2 INSTRUCCIONES PARA LA CONEXIÓN A TIERRA

Este producto debe conectarse a tierra. En caso de un cortocircuito eléctrico, la conexión a tierra reduce el riesgo de choque eléctrico al aportar un alambre de escape para la corriente eléctrica. Este producto está equipado con un cable que tiene alambre a tierra con un enchufe a tierra adecuado. Debe usarse el enchufe para conectar a un receptáculo que esté debidamente instalado y conectado a tierra en conformidad con los códigos y las ordenanzas locales.

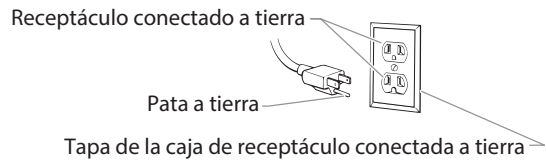


ADVERTENCIA - La instalación incorrecta del enchufe a tierra puede ocasionar un riesgo de choque eléctrico.

Si es necesario reparar o cambiar el cable o el enchufe, no conecte el cable verde a tierra a ninguno de las terminales de espiga plana. El cable con aislamiento de color verde por fuera con o sin rayas amarillas es el alambre a tierra y debe conectarse a la espiga a tierra.

Consulte a un electricista o técnico de servicio capacitado si las instrucciones para la conexión a tierra no se entienden claramente o si tiene dudas en cuanto a que el producto esté debidamente conectado a tierra. No modifique el enchufe que se incluye. Si el enchufe no encaja en el receptáculo, pida a un electricista capacitado que instale un receptáculo adecuado.

Este producto es para utilizarse en un circuito de 120 voltios nominales y tiene un enchufe a tierra que tiene un aspecto similar al ilustrado más abajo. Asegúrese que el producto esté conectado a un tomacorriente que tenga la misma configuración que el enchufe. No deben utilizarse adaptadores para este producto.



Cuando se usa el rociador con un generador o línea o sin control, uncontrolled line voltage, se recomienda que Titan's "Line Surge Protector" (P/N 800-935) se utiliza.

INFORMACIÓN ELÉCTRICA IMPORTANTE



Use solamente un cable de extensión de 3 conductores que tenga un enchufe a tierra de 3 patas y un receptáculo de 3 ranuras que acepte el enchufe del producto.

Revise que el cable de extensión esté en buen estado. Al utilizar un cable de extensión, fíjese que sea del calibre apto para transmitir la corriente que consume el producto. Un cable de calibre insuficiente hará que baje el voltaje de la línea perdiendo potencia y produciendo sobrecalentamiento en la unidad.

Se recomienda usar un cable de calibre 8 o 10 (consulte la tabla). Si se va a usar un cable de extensión en exteriores, debe estar marcado con "SJW" o "SJTW". Por ejemplo, una designación SJTW indicaría que el cable es adecuado para su uso en exteriores.

Cable de calibre	Máximo de la longitud de la cable
8	46 m
10	31 m

1.3 PELIGROS PARA LA SEGURIDAD



PELIGRO: LESIÓN CAUSADA POR INYECCIÓN

La corriente de líquido a alta presión que produce este equipo puede perforar la piel y tejidos interiores, pudiendo provocar graves lesiones e incluso hay posibilidad de amputación.

No trate una lesión por pulverización como una lesión de corte inocua. En caso de lesiones cutáneas por contacto con material de recubrimiento o disolvente, consultar inmediatamente a un médico para un tratamiento rápido y correcto. Informe al médico sobre el material de recubrimiento o disolvente utilizado.

PREVENCIÓN:

- No apunte con la pistola ni pulverice sobre ninguna persona ni animal.
- Mantenga las manos y el resto del cuerpo lejos de la descarga. Por ejemplo, no trate de detener fugas con ninguna parte de su cuerpo.
- NUNCA ponga la mano frente a la pistola. Los guantes no protegen contra una lesión por inyección.
- SIEMPRE mantenga la protección de la boquilla en su sitio al rociar. La protección de la boquilla sirve principalmente de dispositivo de advertencia.
- Utilice solamente la boquilla especificada por el fabricante.
- Tenga cuidado al limpiar y cambiar las boquillas. Si la boquilla se atasca durante la pulverización, ponga SIEMPRE el seguro del gatillo de la pistola, apague la bomba y libere toda la presión antes de reparar, limpiar el protector o la boquilla o cambiar la boquilla. La presión no se libera apagando el motor. Para liberar la presión hay que poner la manija de la válvula PRIME/SPRAY en PRIME.
- No deje el aparato con corriente ni con presión cuando nadie esté pendiente de ella. Cuando no utilice el aparato, apáguelo y libere la presión siguiendo las instrucciones del fabricante.
- La pulverización a alta presión puede inyectar toxinas en el cuerpo y producir daños graves en el mismo. En caso de que esto ocurra, visite a un médico inmediatamente.
- Compruebe las mangueras y las piezas en busca de daños; una fuga puede inyectar material en la piel. Inspeccione la manguera antes de cada uso. Sustituya las mangueras o las piezas dañadas. Por razones de funcionamiento, seguridad y duración, emplear únicamente mangueras de alta presión originales de TITAN.

- Este sistema es capaz de producir 3300 PSI / 22,8 MPa Bar. Utilice solamente piezas de repuesto o accesorios especificados por el fabricante y con una capacidad nominal de 3300 PSI como mínimo. Entre ellos se incluyen boquillas pulverizadoras, protectores para las boquillas, pistolas, alargadores, racores y mangueras.
- Ponga siempre el seguro del gatillo cuando no esté pulverizando. Verifique que el seguro del gatillo funciona correctamente.
- Antes de utilizar el aparato, verifique que todas las conexiones son seguras.
- Aprenda a detener el aparato y a liberar la presión rápidamente. Familiarícese a conciencia con los controles. La presión no se libera apagando el motor. Para liberar la presión hay que poner la manija de la válvula PRIME/SPRAY en PRIME.
- Quite siempre la boquilla pulverizadora antes de enjuagar o limpiar el sistema.



NOTA PARA EL MÉDICO: La inyección a través de la piel es una lesión traumática. Es importante tratar la lesión tan pronto sea posible. NO retrase el tratamiento para investigar la toxicidad. La toxicidad es un factor a considerar con ciertos revestimientos inyectados directamente en la corriente sanguínea. Puede ser aconsejable consultar con un cirujano plástico o un cirujano especialista en reconstrucción de las manos.



PELIGRO: MANGUERA DE ALTA PRESIÓN

En la manguera de pintura pueden aparecer fugas a causa del desgaste, de retorcimientos o de un mal uso. Una fuga puede proyectar material hacia la piel. Revise siempre la manguera antes de usarla.

PREVENCIÓN:

- Evitar doblar mucho o plegar la manguera de alta presión, radio de flexión mínimo, aprox. 20 cm.
- No pasar por encima de la manguera de alta presión, protegerla contra contactos con objetos agudos y cantos cortantes.
- Sustituir inmediatamente la manguera de alta presión dañada.
- ¡No reparar nunca una manguera de alta presión defectuosa!

- La carga electrostática de la pistola de pulverización y la manguera de alta presión se descarga a través de la manguera de alta presión. Por esa razón, la resistencia eléctrica entre los empalmes de la manguera de alta presión debe ser igual o menor a un Megaohm.
- Por razones de funcionamiento, seguridad y duración, emplear únicamente mangueras de alta presión originales de Titan.
- Cada vez que vaya a utilizar el equipo, compruebe antes todas las mangueras en busca de cortes, fugas, abrasión o bultos en la cubierta. Compruebe el movimiento de los acoplamientos y si están dañados. Sustituya inmediatamente una manguera si descubre alguna de estas anomalías. No repare nunca una manguera de pintar. Sustitúyala por una manguera a alta presión puesta a tierra.
- Asegúrese de que la manguera de aire y las mangueras de pulverización estén dispuestos de forma que minimicen el peligro de deslizamientos, tropiezos y caídas.



PELIGRO: EXPLOSIONES E INCENDIOS

Los vapores inflamables, como los vapores de las pinturas y los solventes, pueden encenderse o explotar en el área de trabajo.

PREVENCIÓN:

- No pulverice materiales inflamables ni combustibles cerca de llamas desnudas, pilotos o fuentes de ignición como objetos calientes, cigarrillos, motores, equipos eléctricos o electrodomésticos. Evite producir chispas al conectar y desconectar los cables de alimentación.
- Tenga muchísimo cuidado al usar materiales cuyo punto de ignición sea inferior a 38 °C (100 °F). El punto de inflamación es la temperatura a la que un fluido puede producir vapor suficiente como para incendiarse.
- La pintura o disolvente que pase por el equipo puede producir electricidad estática. La electricidad estática supone un riesgo de incendio o explosión en presencia de emanaciones de pintura o disolvente. Todas las piezas del sistema pulverizador, incluyendo la bomba, el conjunto de mangueras, la pistola pulverizadora y los objetos dentro y alrededor de la zona de pulverización se conectarán a tierra para protegerlos frente a descargas estáticas y chispas. Utilice solamente mangueras para pulverizadores de pintura airless (sin aire) de alta presión conductoras o con toma a tierra especificadas por el fabricante.
- Compruebe que todos los recipientes y sistemas de recogida están conectados a tierra para evitar descargas eléctricas.
- Conecte a una salida con toma a tierra y utilice cables alargadores puestos a tierra. No utilice un adaptador de 3 a 2.

- No utilice pintura o disolvente que contenga hidrocarburos halogenados, como cloro, fungicida blanqueador, cloruro de metileno y tricloroetano. No son compatibles con el aluminio. Póngase en contacto con el proveedor del material para conocer su compatibilidad con el aluminio.
- Mantenga la zona de pulverización bien ventilada. Asegúrese de que circula aire fresco por la zona para evitar que se acumulen vapores inflamables en el aire de la zona de pulverización. Ponga el conjunto de la bomba en una zona bien ventilada. No pulverice el conjunto de la bomba.
- No fume en la zona de pulverización.
- No encienda interruptores de luces, motores ni productos similares que puedan producir chispas en la zona de pulverización.
- Mantenga la zona limpia y despejada de botes de pintura y disolventes, trapos y otros materiales inflamables.
- Infórmese del contenido de la pintura y de los disolventes que pulverice. Lea las hojas de datos sobre seguridad de los materiales (SDS) y las etiquetas en los botes de pintura y disolvente. Siga las instrucciones de seguridad del fabricante de la pintura y del disolvente.
- Coloque la bomba al menos a 7,62 metros (25 pies) del objeto que se va a pulverizar en una zona bien ventilada (añada más manguera si fuera necesario). Los vapores inflamables suelen ser más pesados que el aire. La zona del suelo debe estar muy bien ventilada. La bomba contiene piezas que forman arcos que producen chispas y pueden inflamar los vapores.
- El plástico puede producir chispas estáticas. Nunca utilice plástico para cercar la zona de pulverización. No utilice cortinas de plástico mientras pulveriza material inflamable.
- Deberá contar con equipos extintores de incendios que funcionen correctamente.



PELIGRO: VAPORES PELIGROSOS

Las pinturas, disolventes, y otros materiales pueden ser perjudiciales si se inhalan o entran en contacto con el cuerpo. Los vapores pueden provocar náuseas intensas, desmayos o envenenamiento.

PREVENCIÓN:

- Ponerse una careta respiratoria durante los trabajos de pulverización. Lea todas las instrucciones facilitadas con la mascarilla para asegurarse de que proporciona toda la protección necesaria.
- Se deben respetar todas las normas de seguridad con respecto a la protección contra vapores dañinos.
- Lleve gafas protectoras.

- Para proteger la piel se necesitan especialmente ropa protectora, guantes y, si es necesario, crema cutánea de protección. Prestar atención a las prescripciones de los fabricantes con respecto a materiales de recubrimiento, disolventes y agentes limpiadores durante la preparación, el tratamiento y la limpieza de los aparatos.



PELIGRO: GENERAL

Pueden producirse lesiones graves o daños materiales.

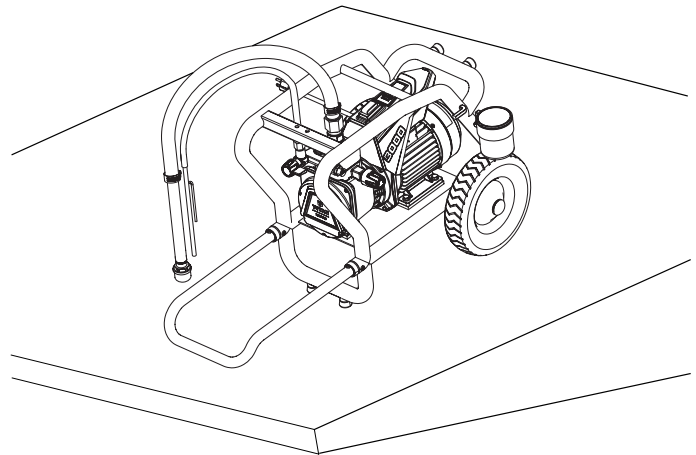
PREVENCIÓN:

- Cuando pinte, lleve siempre guantes, protección para los ojos, ropa y un respirador o máscara adecuados.
- Nunca utilice el aparato ni pulverice cerca de niños. Mantenga el equipo alejado de los niños en todo momento.
- No se estire demasiado ni se apoye sobre un soporte inestable. Mantenga los pies bien apoyados y el equilibrio en todo momento.
- No se distraiga y tenga cuidado con lo que hace.
- No utilice el aparato si está fatigado o se encuentra bajo la influencia del alcohol o de las drogas.
- No retuerza ni doble la manguera en exceso. En la manguera airless pueden aparecer fugas a causa del desgaste, de retorcimientos o de un mal uso. Una fuga puede inyectar material en la piel.
- No exponga la manguera a temperaturas o presiones que superen las especificadas por el fabricante.
- No utilice la manguera como elemento de fuerza para tirar del equipo o levantarlo.
- Utilice la presión más baja posible para enjuagar el equipo.
- Cumpla todos los reglamentos locales, estatales y nacionales pertinentes relativos a ventilación, prevención de incendios y funcionamiento.
- Las normas sobre seguridad del gobierno de los Estados Unidos se han adoptado al amparo de la Ley de salud y seguridad ocupacional (OSHA). Deben consultarse tres normas, particularmente la sección 1910 de las Normas generales y la sección 1926 de las Normas sobre construcción.
- Cada vez que vaya a utilizar el equipo, compruebe antes todas las mangueras en busca de cortes, fugas, abrasión o bultos en la cubierta. Compruebe el movimiento de los acoplamientos y si están dañados. Sustituya inmediatamente una manguera si descubre alguna de estas anomalías. No repare nunca una manguera de pintura. Sustitúyala por una manguera conductora a alta presión.
- No pulverice al aire libre si hace viento.
- Desenchufe siempre el cable antes de trabajar en el equipo.

1.4 INSTALACIÓN EN SUPERFICIES IRREGULARES

La parte frontal del equipo debe estar dirigida hacia abajo para evitar cualquier resbalamiento.

Sobre fondos inclinados, ya que tiende a moverse mediante vibraciones.



2 SINOPSIS DE APLICACIÓN

2.1 CAMPOS DE APLICACIÓN

Elite 3000 es un equipo de pulverización a alta presión accionado eléctricamente que se emplea para la pulverización sin aire (airless) de diversos materiales de recubrimiento. Es también adecuado para operar el rodillo de pintura abastecido interiormente, que está a disposición en el programa de accesorios.

El Elite 3000 puede utilizarse tanto en los talleres, como también en las obras.

El rendimiento del Elite 3000 está previsto para permitir el procesamiento de pinturas de dispersión para objetos pequeños y medianos en el sector interior.

En el ámbito del barnizado, el aparato es apropiado para todos los trabajos usuales, p.ej.:

Puertas, marcos de puerta, barandillas, muebles, revestimientos de madera, cercas, radiadores y piezas de acero.

Para trabajos de barnizado se recomienda utilizar un depósito superior.

2.2 MATERIAL DE RECUBRIMIENTO

MATERIALES DE RECUBRIMIENTO PROCESABLES

Dispersiones, pinturas látex, lacas y pinturas diluibles con agua y que contienen disolvente, materiales de recubrimiento bicomponentes.

El procesamiento de otros materiales de recubrimiento se deberá consultar a la empresa TITAN, ya que esto puede perjudicar la durabilidad y también la seguridad del equipo.



Preste atención a la calidad Airless de los materiales de recubrimiento a procesar.

El equipo permite el procesamiento de materiales de recubrimiento con una viscosidad de hasta 20.000 mPas. Si el rendimiento de la pulverización disminuye demasiado al pulverizar materiales de recubrimiento de alta viscosidad, estos se tendrán que diluir conforme a las indicaciones del fabricante.

Agitar bien el material de recubrimiento antes de proceder al trabajo.



¡Atención! Al remover los materiales de recubrimiento, especialmente con un mecanismo agitador accionado a motor, prestar atención a que no se formen burbujas.

Las burbujas dificultan la pulverización, y pueden también interrumpir el funcionamiento.

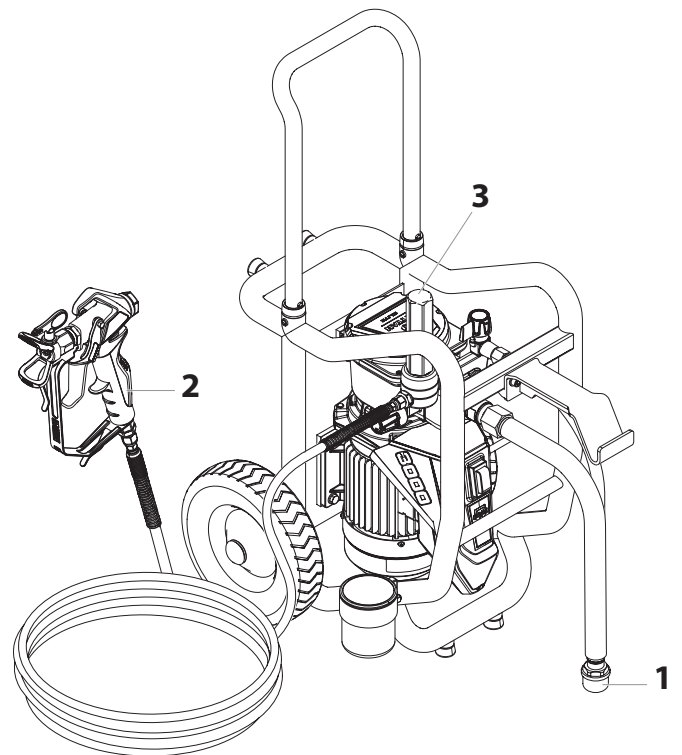
2.2.1 MATERIALES DE RECUBRIMIENTO CON SUSTANCIAS ACCESORIAS DE CANTO VIVO

Estas partículas ejercen en válvulas y boquillas, pero también en la pistola de pulverización, un elevado efecto de desgaste, que merma considerablemente la vida útil de estos consumibles.

2.2.2 FILTRADO

Para un funcionamiento sin desperfectos es necesario un filtrado eficiente. Para este fin el equipo está provisto de un filtro de aspiración (Pos. 1), y un filtro insertable en la pistola de pulverización (Pos. 2). Se recomienda urgentemente controlar con regularidad el deterioro o ensuciamiento de estos filtros.

Un filtro de alta presión (Pos. 3) disponible como accesorios amplía la superficie del filtro y hace más fácil el trabajo con el equipo.



2.3 CONFIGURACIONES DE PULVERIZACIÓN

El modelo Elite 3000 está disponible en varias configuraciones. Se puede usar como una unidad de carro alto con un conjunto de succión rígido (Figura 1) o una unidad de carro bajo con un conjunto de succión flexible (Figura 2).



El depósito de goteo (1) se puede orientar según la configuración que se esté usando.

FIGURA 1

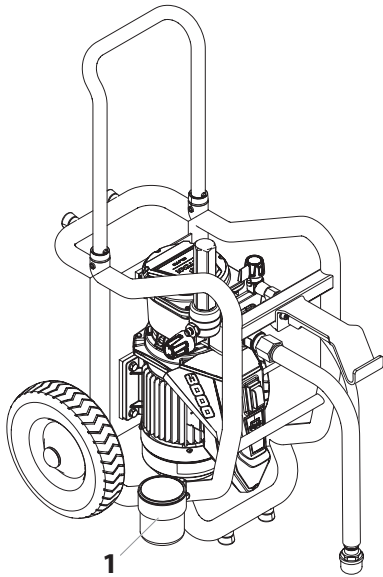
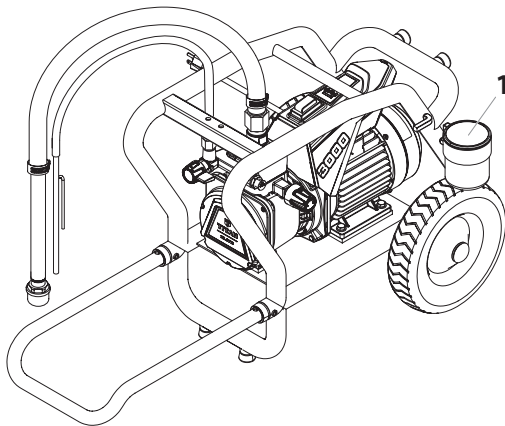


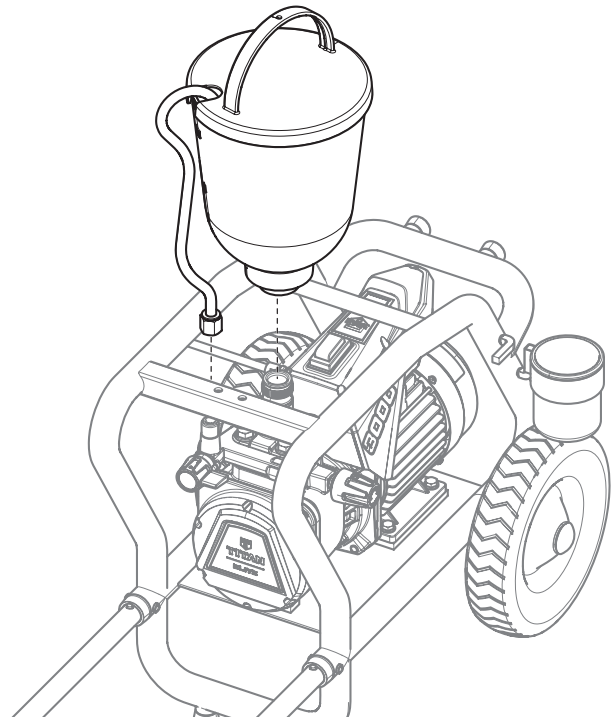
FIGURA 2



ACCESORIOS PARA TOLVA DE ALIMENTACIÓN SUPERIOR

La configuración de carro bajo se puede usar con una tolva de alimentación superior que se vende por separado.

FIGURA 3



El soporte del cubo se tendrá que sacar para poder instalar la tolva en la unidad.

3 DESCRIPCIÓN DEL EQUIPO

3.1 PROCESO AIRLESS

Los campos principales de aplicación son las capas más gruesas de material de recubrimiento de alta viscosidad.

En el Elite 3000 la bomba de membrana aspira el material de recubrimiento y lo transporta a través de la manguera de alta presión a la pistola de pulverización con boquilla Airless, que lo impulsa con una presión de hasta máx. 22,8 MPa (3300 PSI) por el núcleo de la boquilla. Esta alta presión da lugar a una pulverización micrométrica del material de recubrimiento.

La denominación proceso AIRLESS (sin aire) se basa en la ausencia de aire durante la pulverización.

Esta forma de pulverizar reúne las ventajas de la más fina pulverización, un funcionamiento pobre en neblinas (dependiendo del ajuste correcto del equipo) y una superficie lisa, y sin burbujas. Junto a estas ventajas se pueden mencionar la alta velocidad de trabajo y la gran manejabilidad.

3.2 FUNCIONAMIENTO DEL EQUIPO

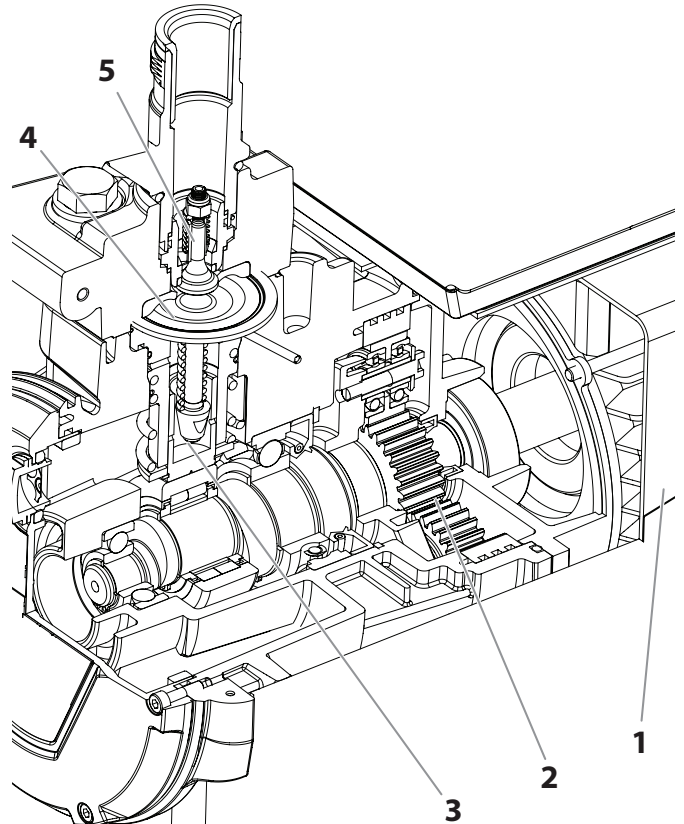
A continuación la estructuración técnica a grandes rasgos, a fin de una mejor comprensión del funcionamiento:

Elite 3000 es un equipo de pulverización a alta presión accionado eléctricamente. El motor eléctrico (1) acciona la bomba hidráulica a través de un engranaje planetario (2). Un pistón (3) se mueve arriba y abajo, y así se transporta el aceite hidráulico debajo de la membrana (4), que se mueve a continuación.

En detalle: Mediante el movimiento de la membrana hacia abajo, la válvula de admisión de disco (5) abre automáticamente y el material de recubrimiento se aspira. Con el movimiento de la membrana hacia arriba, el material de recubrimiento se desplaza y la válvula de escape de bola se abre, mientras la válvula de admisión está cerrada.

El material de recubrimiento circula a alta presión por la manguera de alta presión a la pistola de pulverización y se pulveriza a la salida en la boquilla.

La válvula reguladora de presión limita la presión ajustada en el circuito de aceite hidráulico y con ello también la presión del material de recubrimiento. Un cambio de presión durante el empleo de la misma boquilla conduce también al cambio de la cantidad de pintura pulverizada.



i Toda la información que se brinda en este manual corresponde a todas las configuraciones, a menos que se indique lo contrario.

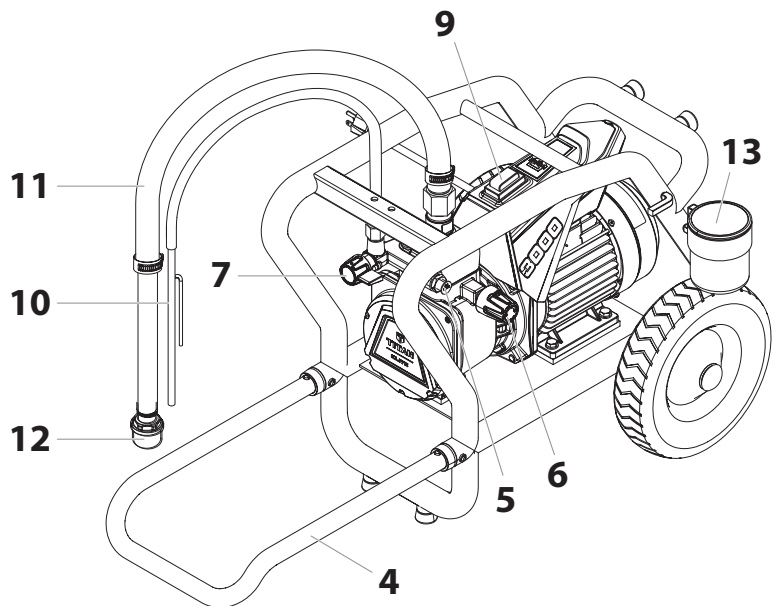
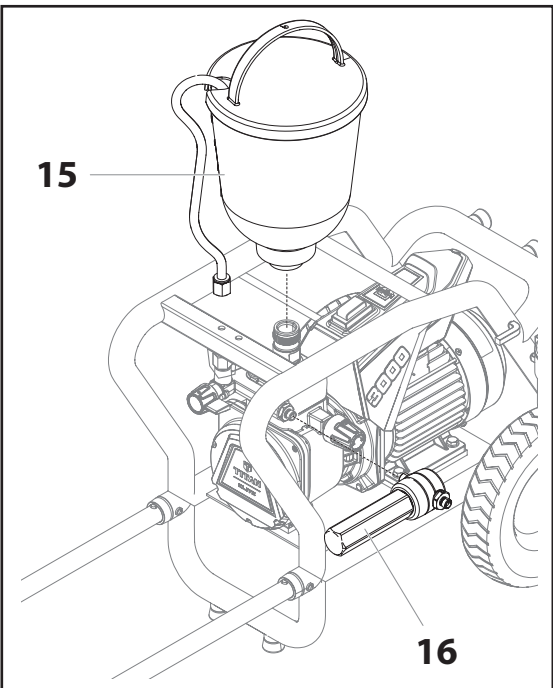
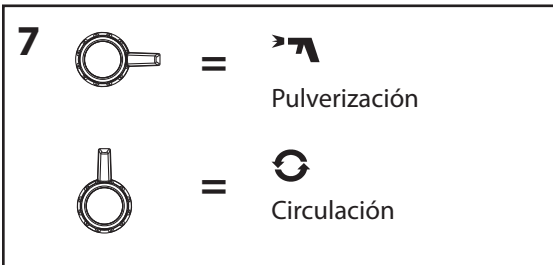
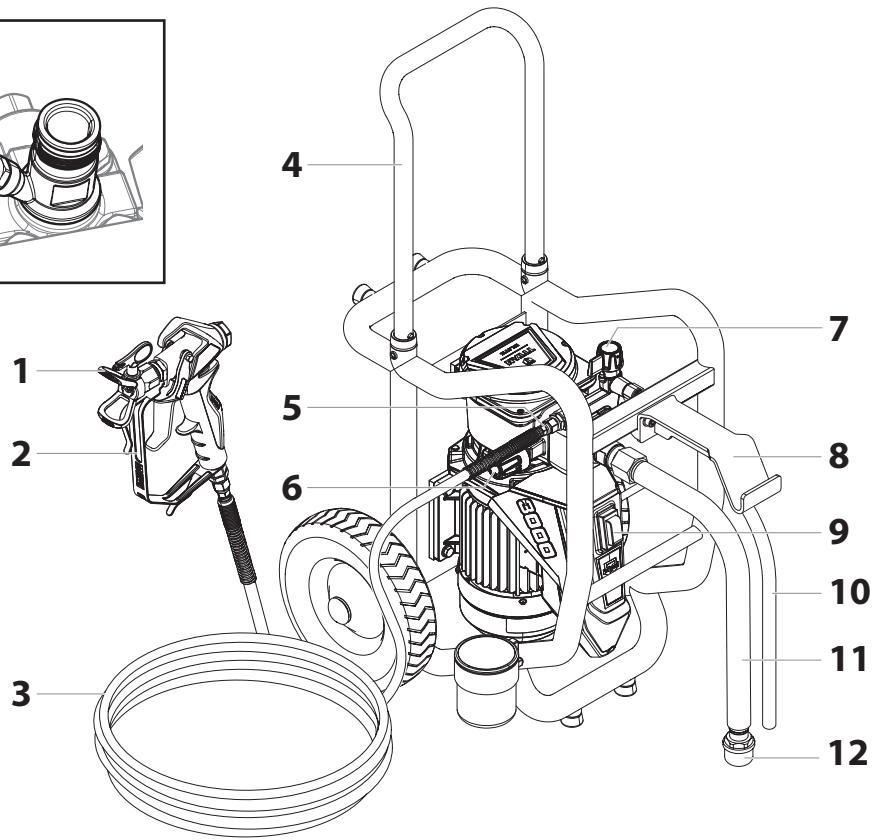
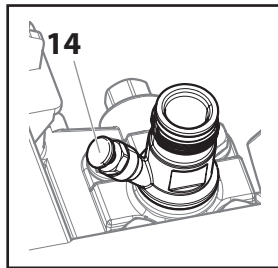
3.3 CUADROS EXPLICATIVOS

INCLUYE:

- 1. Soporte de boquilla con boquilla
- 2. Pistola de pulverización
- 3. Manguera de alta presión
- 4. Pieza de sujeción extensible
- 5. Empalme para manguera de alta presión
- 6. Válvula reguladora de presión
- 7. Válvula de despresurización
- 8. Soporte del cubo
- 9. Interruptor de encendido/apagado
- 10. Tubo de retorno
- 11. Tubo de aspiración
- 12. Filtro de entrada
- 13. Recipiente de limpieza
- 14. Vástago impulsor

VENTA POR SEPARADO:

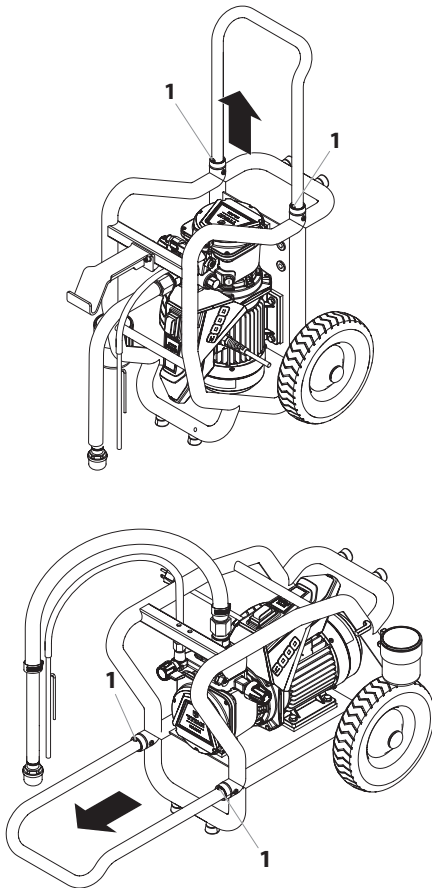
- 15. Depósito superior
- 16. Filtro de alta presión



3.4 CONFIGURACIÓN DE LA BARRA

La pieza de sujeción se puede extender para facilitar el transporte. Tire de la pieza de sujeción hasta que los botones de encaje (1) sujeten la manilla en su lugar.

Para retraerla, presione los botones de encaje y empuje la pieza de sujeción.



TRANSPORTE EN EL VEHÍCULO

Asegurar el equipo en el vehículo con medios de sujeción adecuados.

El equipo puede en caso necesario colocarse al lado. Cuidar aquí de no dañar ningún elemento de montaje posterior. Atención: ¡Restos de pintura o disolvente pueden salir por las uniones a rosca!

3.5 DATOS TÉCNICOS

Tensión:	120 V AC, 50/60 Hz
Puesta de fusibles:	16 A lento
Cable de conexión:	6 m longitud, 3x1,5 mm ²
Consumo de corriente máx.:	11,0 A
Capacidad de absorción aparato:	1,3 kW
Presión de servicio máx.:	3300 PSI (22,8 MPa)
Intensidad volumétrica a 12 MPa (120 barios)	2,27 l/min
Boquilla max.	0,025"
Temperatura máx. del material de recubrimiento:	43 °C
Viscosidad máx.:	20.000 mPas
Peso de bomba vacía:	41 kg
Capacidad de llenado de aceite hidráulico:	
Carcasa hidráulica	1,3 litros
Engranaje (Grasa)	45 g
Vibración máx. de la pistola de pulverización:	menor que 2,5 m/s ²
Nivel de presión sonora máx.:	75 dB (A)*

* Punto de medición: Distancia 1 m al lado del equipo y 1,60 m sobre el suelo, presión de servicio 12 MPa (120 barios), suelo antiacústico

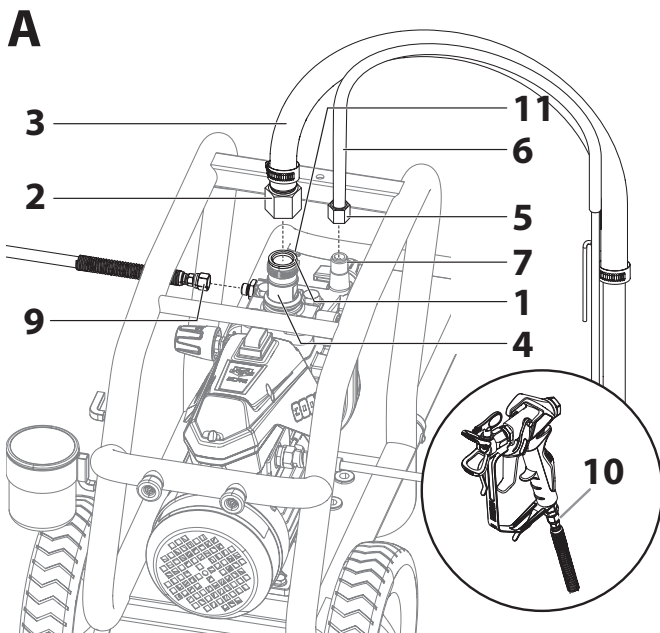
4 PUESTA EN SERVICIO



Antes de la puesta en marcha, presione desde arriba la válvula de entrada de la entrada de materiales de recubrimiento (4). De este modo se asegurará de que la válvula no esté bloqueada ni pegada.

4.1 EQUIPO CON SISTEMA DE ASPIRACIÓN (A)

1. Prestar atención a superficies estanqueizantes limpias en los empalmes. Fijarse en que la entrada roja (1) esté asignada a la entrada de material de recubrimiento (4).
2. Enroscar la tuerca tapón (2) del tubo de aspiración (3) a la entrada de material de recubrimiento (4) con la llave adjuntada (41 mm) y apretar bien.
3. Enroscar la tuerca tapón (5) de la manguera de retorno (6) al empalme (7) (llave de boca 22 mm).



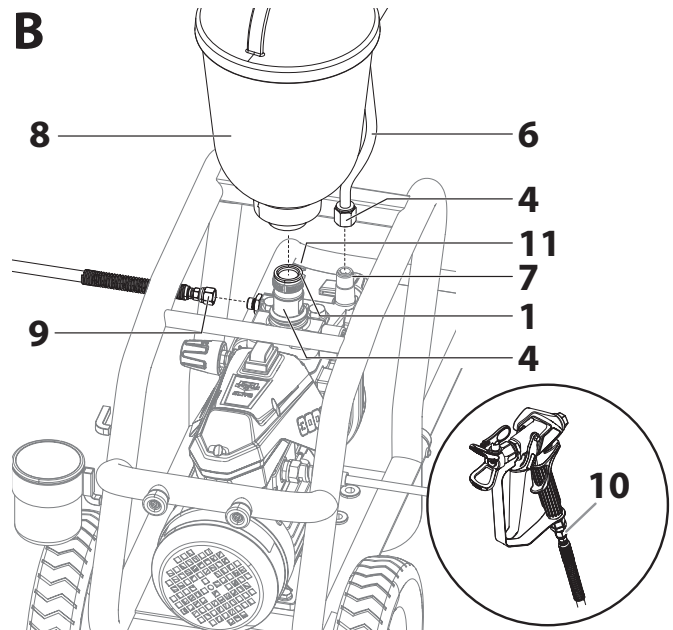
4.2 EQUIPO CON DEPÓSITO SUPERIOR (B) (OPCIONAL)



El soporte del cubo se tendrá que sacar para poder instalar la tolva en la unidad.

1. Prestar atención a superficies estanqueizantes limpias en los empalmes. Fijarse en que la entrada roja (1) esté asignada a la entrada de material de recubrimiento (4).
2. Enroscar la tuerca tapón (5) de la manguera de retorno (6) en el empalme (7).
3. Atornillar el depósito superior (8) a la entrada de material de recubrimiento (4) y apretar bien.

B



4.3 MANGUERA DE ALTA PRESIÓN Y PISTOLA DE PULVERIZACIÓN

1. Enroscar la manguera de alta presión (9) en el empalme de manguera.
2. Atornillar la pistola de pulverización (10) en la manguera de alta presión.
3. Apretar bien todas las tuercas tapón en la manguera de alta presión, para que no salga material de recubrimiento.
4. Enroscar, alinear y apretar el soporte de boquilla con la boquilla elegida en la pistola de pulverización (véase también instrucciones de la pistola de pulverización/ soporte de boquilla).
5. Presione completamente el vástago impulsor (11) para asegurarse de que la bola de entrada esté libre.



Atención

Para destornillar la manguera de alta presión del empalme de manguera, contrarretener con llave de 22 mm.

4.4 CONEXIÓN A LA RED DE ALIMENTACIÓN



Atención

La conexión debe realizarse siempre a través de una caja de enchufe con contacto protector a tierra con dispositivo protector contra corriente defectuosa (fusible FI), debidamente puesta a tierra.

Antes de conectar a la red de alimentación, prestar atención de que la tensión de red coincida con los datos indicados en la placa de características del equipo.

4.5 PRIMERA PUESTA EN SERVICIO LIMPIEZA DE MEDIOS DE CONSERVACIÓN

EQUIPO CON SISTEMA DE ASPIRACIÓN

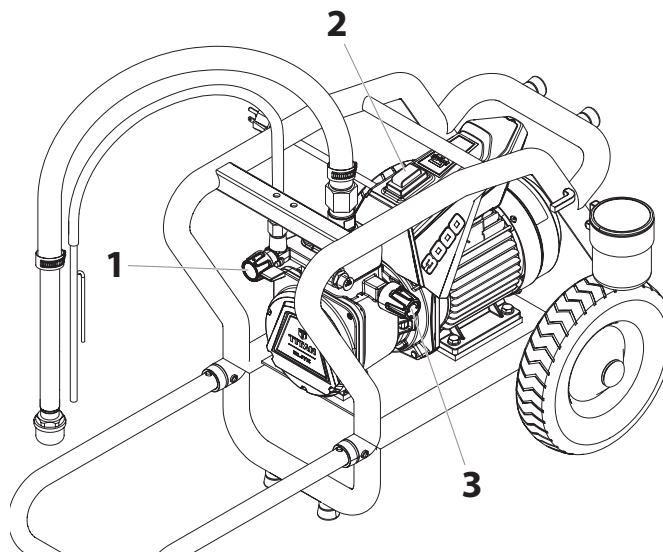
1. Sumergir el sistema de aspiración en un depósito lleno con agente limpiador (se recomienda agua).

EQUIPO CON DEPÓSITO SUPERIOR (OPCIONAL)

2. Llenar agente limpiador en el depósito superior (se recomienda agua).
3. Ponga la válvula de despresurización (Pos. 1) en "↻" (Circulación).
4. Encienda el dispositivo con el interruptor de apagado/encendido (2) (Pos. I).
5. Luego girar el botón regulador de presión (3) a la **derecha**, hasta el tope.
6. Esperar hasta que el agente limpiador salga por la manguera de retorno.
7. Girar el botón regulador de presión (3) aprox. una vuelta atrás.
8. Ponga la válvula de despresurización (1) en "→" (Pulverización). La presión se forma en la manguera de alta presión.
9. Dirigir la boquilla de la pistola de pulverización a un recipiente colector abierto y apretar el gatillo de la pistola de pulverización.
10. La presión se incrementa girando el botón regulador de presión (3) a la **derecha**.
11. Pulverizar agente limpiador fuera del equipo durante 1-2 min (~5 litros) a un recipiente colector abierto.

4.6 PURGAR EL AIRE DEL EQUIPO (SISTEMA HIDRÁULICO), SI NO SE ESCUCHA EL RUIDO DE LA VÁLVULA DE ADMISIÓN

1. Encienda el dispositivo con el interruptor de apagado/encendido (2) (Pos. I).
2. Girar el botón regulador de presión (3) tres vueltas a la **izquierda**, hasta el tope.
3. Ponga la válvula de despresurización (Pos. 1) en "↻" (Circulación). El sistema hidráulico da salida al aire. Dejar conectado el aparato unos dos a tres minutos.
4. Luego girar el botón regulador de presión (3) a la derecha, hasta el tope.
5. Caso contrario, repetir los pasos 2 a 4.



4.7 PONER EL EQUIPO EN MARCHA CON MATERIAL DE RECUBRIMIENTO

EQUIPO CON SISTEMA DE ASPIRACIÓN

1. Sumergir el sistema de aspiración en un recipiente relleno con material de recubrimiento.

EQUIPO CON DEPÓSITO SUPERIOR (OPCIONAL)

2. Llenar material de recubrimiento en el depósito superior.
3. Ponga la válvula de despresurización (Pos. 1) en "↻" (Circulación).
4. Encienda el dispositivo con el interruptor de apagado/encendido (2) (Pos. I).
5. Luego girar el botón regulador de presión (3) a la **derecha**, hasta el tope.

Cuando el ruido de las válvulas cambia, el equipo está purgado de aire y aspira material de recubrimiento.

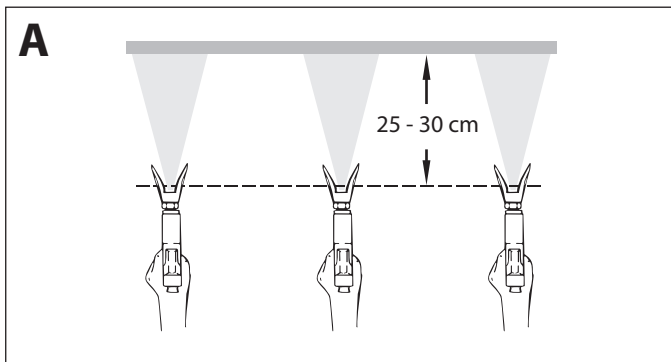
6. Si el material de recubrimiento sale por la manguera de retorno, girar el botón regulador de presión (3) aprox. una vuelta atrás.
7. Ponga la válvula de despresurización (1) en "→" (Pulverización). La presión se forma en la manguera de alta presión.
8. Accionar la pistola de pulverización y pulverizar a un recipiente colector abierto, para purgar el resto de agente limpiador del equipo. Cerrar la pistola de pulverización una vez que sale material de recubrimiento por la boquilla.
9. Ajustar la presión de pulverización girando el botón regulador de presión (3).
10. El equipo está disponible para pulverizar.

5 TÉCNICA DE PULVERIZACIÓN



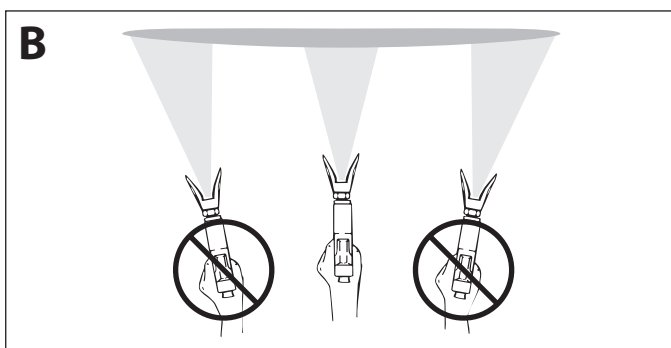
Peligro de inyección. No pulverice sin la protección de la punta en su lugar. **NUNCA** apriete el gatillo de la pistola a menos que la punta esté completamente girada en la posición de pulverización o de destrabado. **SIEMPRE** bloquee el gatillo de la pistola antes de retirar, reemplazar o limpiar la punta.

- A)** La clave para un buen trabajo de pintura es recubrir de forma pareja toda una superficie. Mueva su brazo a una velocidad constante y mantenga la pistola pulverizadora a una distancia constante de la superficie. La mejor distancia para pulverizar es de 25 a 30 cm entre la punta de pulverización y la superficie.

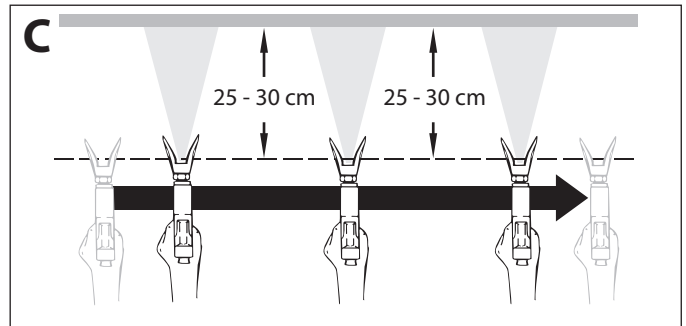


- B)** Mantenga la pistola pulverizadora en ángulos rectos respecto de la superficie. Esto quiere decir que debe mover todo el brazo de un lado a otro y no solo mover la muñeca.

Mantenga la pistola pulverizadora de forma perpendicular a la superficie, de lo contrario un extremo del patrón será más grueso que el otro.



- C)** Apriete el gatillo después de comenzar el trazo. Suelte el gatillo antes de terminar el trazo. La pistola pulverizadora debería estar en movimiento cuando se aprieta y suelta el gatillo. Superponga cada trazo cerca de 30%. Esto garantizará un recubrimiento pareja.



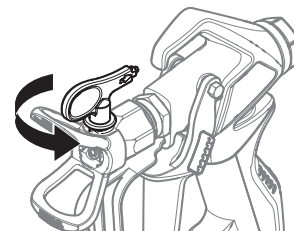
Al presentarse zonas con bordes y franjas en el chorro de pulverizado – aumentar la presión de servicio o diluir el material de recubrimiento.

5.1 LIMPIEZA DE UNA BOQUILLA OBSTRUIDA



Si el patrón se distorsiona o se detiene completamente mientras tira del gatillo, realice los siguientes pasos.

1. Abrir la válvula de descarga, posición de válvula PRIME (↻ circulación).
2. Si la boquilla se obstruye, gire la empuñadura de la misma 180° hasta que la flecha situada en la empuñadura apunte al sentido opuesto a la dirección de pulverización y dicha empuñadura haga un chasquido que indique que está en la posición inversa.
3. Cerrar la válvula de descarga, posición de válvula SPRAY (↻ pulverizar).




4. Apriete una vez el gatillo de la pistola para que la presión desatasque la obstrucción. **NO** apriete el gatillo más de UNA vez si la boquilla está al revés. Este procedimiento puede repetirse hasta eliminar la obstrucción de la boquilla.



El flujo de la boquilla pulverizadora se encuentra a muy alta presión. El contacto con cualquier parte del cuerpo puede ser peligroso. No coloque los dedos en la salida de la pistola. No apunte la pistola hacia otras personas. No accione la pistola pulverizadora sin el protector de boquilla adecuado.

6 MANEJO DE LA MANGUERA DE ALTA PRESIÓN

El aparato está equipado con una manguera de alta presión especialmente adecuada para bombas de membrana.




	<p>Riesgo de lesiones mediante manguera de alta presión con fugas. Sustituir inmediatamente la manguera de alta presión dañada.</p> <p>¡No repare nunca usted mismo una manguera de alta presión defectuosa!</p>
--	--

La manguera de alta presión se tiene que manejar con cuidado. Evitar doblarla o plegarla demasiado, radio de flexión mínimo, aprox. 20 cm.

No pasar por encima de la manguera de alta presión, protegerla contra contactos con objetos agudos y cantos cortantes.


No tirar nunca de la manguera de alta presión para desplazar el equipo.

Prestar atención a que la manguera de alta presión no se pueda torcer. Esto se puede evitar utilizando una pistola de pulverización Titan con articulación giratoria y un tambor de manguera.

	<p>Para el manejo de la manguera de alta presión durante trabajos en andamios se ha comprobado como más ventajoso, dirigir la manguera siempre por la parte exterior del andamio.</p>
	<p>En mangueras de alta presión viejas aumenta el riesgo de defectos.</p> <p>Titan recomienda sustituir la manguera de alta presión al cabo de 6 años.</p>
	<p>Por razones de funcionamiento, seguridad y duración, emplear únicamente mangueras de alta presión originales de TITAN.</p>


7 INTERRUPCIÓN DEL TRABAJO

1. Ponga la válvula de despresurización en "↻" (Circulación). Apagar el equipo (posición 0).
2. Apretar el gatillo de la pistola de pulverización, para descargar la presión de la manguera de alta presión y de la pistola de pulverización.
3. Asegurar la pistola de pulverización, véase manual de instrucciones de la pistola de pulverización.
4. Sacar la boquilla del soporte de boquilla y ponerla en un recipiente pequeño con agente limpiador adecuado.
5. Dejar sumergido el sistema de aspiración en el material de recubrimiento o sumergirlo en el agente limpiador correspondiente. El filtro de aspiración y el equipo no deben desecarse.
6. Tapar el depósito de material, para impedir la desecación de la pintura.

	<p>Al emplear materiales de recubrimiento de secado rápido o bicomponentes, lavar el equipo a fondo con agente limpiador adecuado, sin falta dentro del tiempo de procesamiento, ya que de otro modo el lavado del equipo puede causar mucho gasto.</p>
---	---

8 LIMPIEZA DEL EQUIPO



La limpieza es la más segura garantía para un funcionamiento sin desperfectos. Después de terminar los trabajos de pulverización, limpiar el equipo. De ninguna manera deben secarse y quedar restos de material de recubrimiento pegados en el equipo. El agente limpiador utilizado para la limpieza (sólo con un punto de inflamación superior a 38 °C) debe corresponder al material de recubrimiento.

	Con materiales de recubrimiento solubles en agua, el agua caliente favorece la limpieza.
---	--


- Asegurar la **pistola de pulverización**, véase manual de instrucciones de la pistola de pulverización.
- Desmontar y limpiar la boquilla y el soporte de boquilla.

EQUIPO CON SISTEMA DE ASPIRACIÓN

1. Ponga la válvula de despresurización en "↻" (Circulación).
2. Encienda el dispositivo con el interruptor de apagado/encendido (Pos. I).
3. Quitar el tubo de aspiración del depósito de material. La manguera de retorno permanece encima del depósito de material, hasta que apenas salga todavía material de recubrimiento.
4. Sumergir el sistema de aspiración en un agente limpiador adecuado.
5. Girar atrás la válvula reguladora de presión para ajustar una presión de pulverización mínima.
6. Ponga la válvula de despresurización en "→" (Pulverización).
7. Apretar el gatillo de la pistola de pulverización, para bombear el resto de material de recubrimiento del depósito superior, de la manguera de alta presión y de la pistola de pulverización a un recipiente abierto (eventualmente aumentar lentamente la presión en la válvula reguladora de presión, para obtener un mayor transporte de material).

	Para materiales de recubrimiento que contienen disolvente, el recipiente deberá estar puesto a tierra.
	¡Cuidado! ¡No bombear o pulverizar en recipientes con orificio pequeño (ojo de barril)! Véase Normas de seguridad.



8. Ponga la válvula de despresurización en "↻" (Circulación).
9. Bombear agente limpiador adecuado en la circulación durante algunos minutos.

	El efecto de limpieza será mayor, si la pistola de pulverización se abre y cierra alternadamente.
---	---

10. Ponga la válvula de despresurización en "→" (Pulverización).
11. Bombear el resto de agente limpiador a un recipiente abierto, hasta vaciar el equipo.
12. Ponga la válvula de despresurización en "↻" (Circulación).
13. Apagar el equipo (posición 0).

EQUIPO CON DEPÓSITO SUPERIOR

1. Poner el selector multifunción en "↻" (Circulación - ON).
2. Encienda el dispositivo con el interruptor de apagado/encendido (Pos. I).
3. Girar atrás la válvula reguladora de presión para ajustar una presión de pulverización mínima.
4. Ponga la válvula de despresurización en "→" (Pulverización).
5. Apretar el gatillo de la pistola de pulverización, para bombear el resto de material de recubrimiento del depósito superior, de la manguera de alta presión y de la pistola de pulverización a un recipiente abierto (eventualmente aumentar lentamente la presión en la válvula reguladora de presión, para obtener un mayor transporte de material).

	Para materiales de recubrimiento que contienen disolvente, el recipiente deberá estar puesto a tierra.
	¡Cuidado! ¡No bombear o pulverizar en recipientes con orificio pequeño (ojo de barril)! Véase Normas de seguridad.

6. Llenar agente limpiador adecuado en el depósito superior.
7. Ponga la válvula de despresurización en "↻" (Circulación).
8. Bombear agente limpiador adecuado en la circulación durante algunos minutos.
9. Ponga la válvula de despresurización en "→" (Pulverización).
10. Bombear el resto de agente limpiador a un recipiente abierto, hasta vaciar el equipo.
11. Ponga la válvula de despresurización en "↻" (Circulación).
12. Apagar el equipo (posición 0).

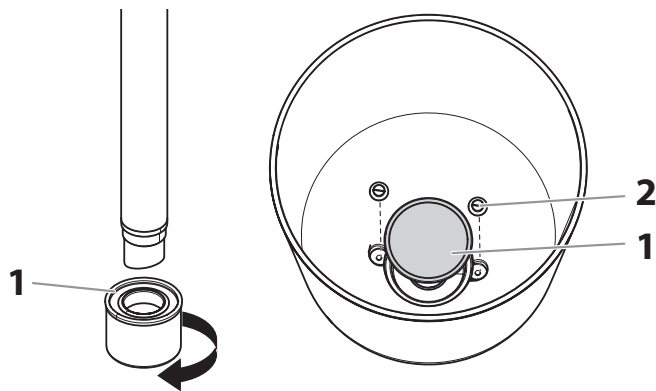
8.1 LIMPIEZA DEL EQUIPO POR FUERA

	<p>Extraer primero la clavija de red de la caja de enchufe.</p> <p>¡Peligro de cortocircuito mediante agua infiltrada!</p> <p>No pulverizar nunca el aparato con detergente o vapor detergente de alta presión.</p>
	<p>No sumergir la manguera de alta presión en disolventes. Limpiar el exterior únicamente con un paño empapado.</p>

Limpiar el equipo por fuera con un paño empapado con agente limpiador adecuado.

8.2 FILTRO DE ASPIRACIÓN

	<p>Los filtros limpios garantizan siempre máxima cantidad transportada, presión de pulverización constante y un correcto funcionamiento del aparato.</p>
--	--



SISTEMA DE ASPIRACIÓN DEPÓSITO SUPERIOR

EQUIPO CON SISTEMA DE ASPIRACIÓN

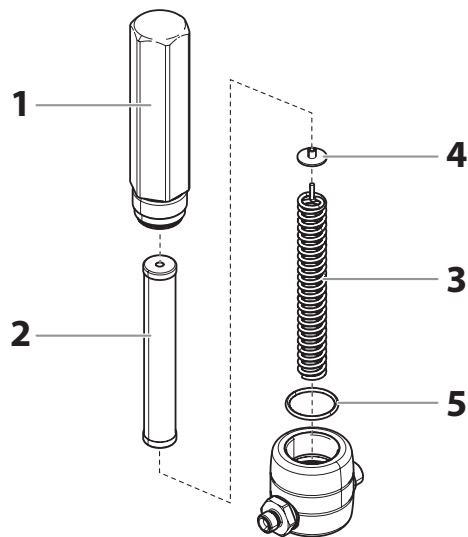
1. Desenroscar el filtro (Pos. 1) del tubo de aspiración.
2. Limpiar o sustituir el filtro.
Ejecutar la limpieza con un pincel duro y el respectivo agente limpiador.

EQUIPO CON DEPÓSITO SUPERIOR (OPCIONAL)

1. Aflojar los tornillos (2) con un atornillador.
2. Levantar y quitar el filtro rondel (1) con un atornillador.
3. Limpiar o sustituir el filtro rondel.
Ejecutar la limpieza con un pincel duro y el respectivo agente limpiador.

8.3 FILTRO DE ALTA PRESIÓN (ACCESORIO)

1. Desconectar el aparato.
2. Poner el selector multifunción en **0** (OFF).
3. Abrir el filtro de alta presión y limpiar suplemento del filtro como sigue:
4. Desatornillar la caja de filtro (1) con la mano.
5. Sacar el cartucho filtrante (2) y quitar el resorte de apoyo (3).
6. Limpiar todas las piezas con agente limpiador apropiado. Si se dispone de aire comprimido – soplar el cartucho filtrante y el resorte de apoyo.
7. Durante el montaje del filtro prestar atención al correcto asiento de la arandela de apoyo (4) en el cartucho filtrante, y controlar que el anillo toroidal (5) en la caja de filtro no esté dañado.
8. Enroscar la caja de filtro con la mano hasta el tope (una fuerza de apriete elevada dificultará cualquier desmontaje ulterior).

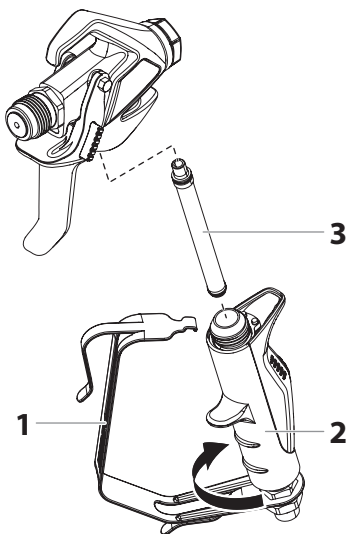


8.4 LIMPIEZA DE LA PISTOLA DE PULVERIZACIÓN AIRLESS

1. Lavar el interior de la pistola de pulverización Airless a baja presión de servicio con agente limpiador adecuado.
2. Limpiar a fondo la boquilla con agente limpiador detergente adecuado, de manera que no quede ningún resto de material de recubrimiento.
3. Limpiar a fondo la pistola de pulverización Airless por fuera.

FILTRO ENCHUFABLE EN LA PISTOLA DE PULVERIZACIÓN AIRLESS

1. Desenganche la parte superior del guardamonte (1) desde el cabezal de la pistola.
2. Use la base del guardamonte como llave, suelte y retire el conjunto de la pieza de sujeción (2) del cabezal de la pistola.
3. Extraiga el filtro (3) viejo del cabezal de la pistola. Limpie o reemplace.
4. Introduzca el nuevo filtro, con el extremo cónico primero, en el cabezal de la pistola.
5. Enrosque el conjunto de la empuñadura en el cabezal de la pistola hasta que quede bien sujeto. Apriete con la llave del gatillo.
6. Fije el guardamonte de vuelta en el conjunto del cabezal de la pistola.



9 MANTENIMIENTO

9.1 MANTENIMIENTO GENERAL



Por motivos de seguridad se recomienda encarecidamente hacer efectuar anualmente una inspección por un experto. En este contexto, observe también todas las normativas nacionales vigentes.

CONTROLES MÍNIMOS ANTES DE CADA PUESTA EN SERVICIO

1. Comprobar los desperfectos en la manguera de alta presión, la pistola de pulverización con articulación giratoria y el cable de conexión con enchufe.
2. Comprobar la lectura del manómetro.

CONTROLES A INTERVALOS REGULARES

1. Comprobar el desgaste de las válvulas de admisión y salida, realizar su limpieza y cambiar los consumibles.
2. Limpiar y si es necesario sustituir los filtros de recambio (pistola de pulverización, sistema de aspiración).

9.2 MANGUERA DE ALTA PRESIÓN

Comprobar visualmente la eventual presencia de cortes o desabolladuras en la manguera de alta presión, especialmente en el paso a la grifería. Las tuercas tapón deben tener giro libre. La conductividad debe ser menor que 1 megohmio a todo lo largo.



Disponer la ejecución de todos los controles eléctricos a través del Servicio Técnico TITAN.

En mangueras de alta presión viejas aumenta el riesgo de defectos.

Titan recomienda sustituir la manguera de alta presión al cabo de 6 años.

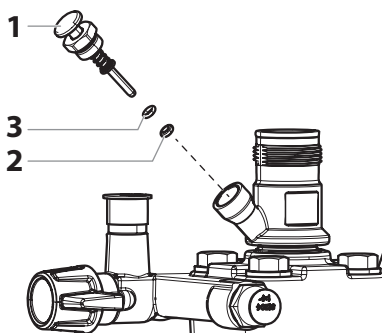
10 REPARACIONES EN EL EQUIPO



Desconectar el equipo.
Antes de toda reparación – extraer la clavija de red de la caja de enchufe.

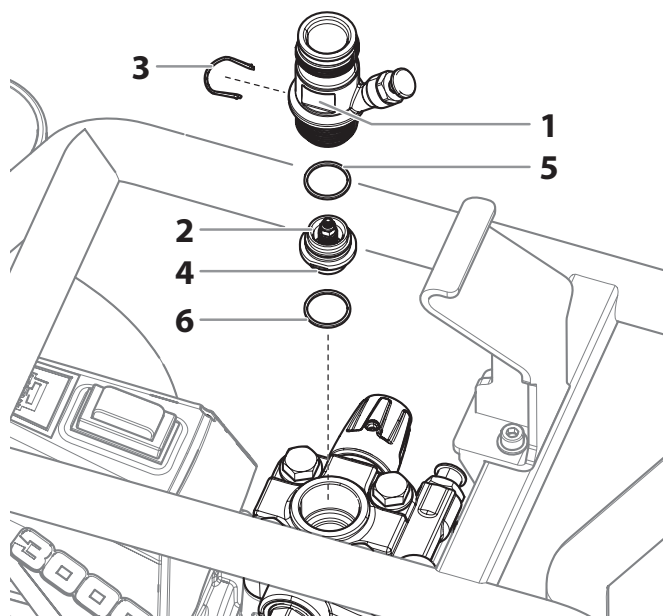
10.1 PULSADOR DE VÁLVULA DE ADMISIÓN

1. Desenroscar el pulsador de válvula de admisión con llave de 17 mm.
2. Cambiar el separador (1) y el anillo toroidal (2).



10.2 VÁLVULA DE ADMISIÓN

1. Coloque la llave suministrada (30 mm) en la carcasa (1).
2. Afloje la carcasa (1) dando suaves golpes de martillo sobre el extremo de la llave.
3. Desatornille la carcasa con la válvula de entrada (2) del nivel de color.
4. Extraer la horquilla (3) con el atornillador adjuntado.
5. Aplicar la llave adjuntada de 30 mm en la válvula de admisión (2). Extraer girando con cuidado la válvula de admisión.
6. Limpiar el asiento de válvula (4) con agente limpiador y pincel (prestar atención a que no queden pelos de pincel).
7. Limpiar las juntas (5, 6) y comprobar los daños, cambiarlas eventualmente.
8. Controlar los desperfectos de todas las partes de válvula. En caso de desgaste visible, sustituir la válvula de admisión.



MONTAJE

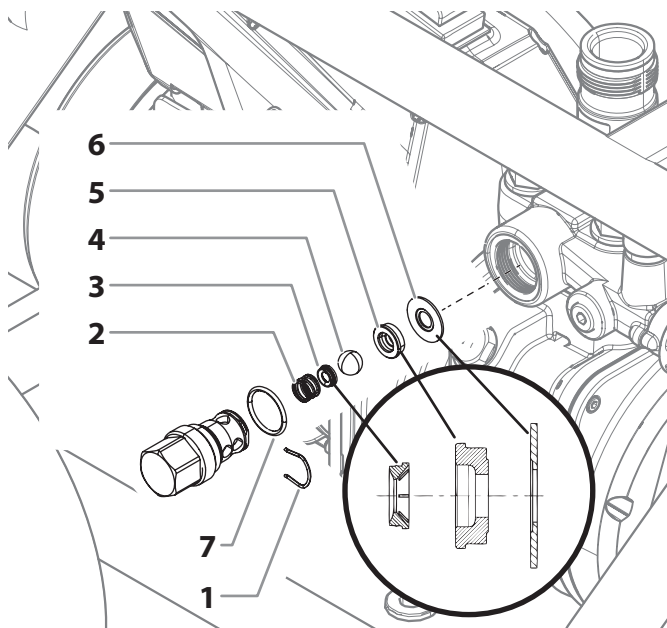
1. Ponga la válvula de entrada (2) en la carcasa (1) y fíjela con el pasador (3). Tenga precaución de que la junta (negra) (5) esté montada en la carcasa.
2. Atornille la unidad de la carcasa y la válvula de entrada en el nivel de color. Debe montarse la misma junta (negra) (6) en el nivel de color.
3. Apriete la carcasa con la llave (30 mm) y fíjela con tres golpes suaves de martillo en el extremo de la llave (corresponde a un par de apriete de 90 Nm aproximadamente).

10.3 VÁLVULA DE ESCAPE

1. Desenroscar la válvula de escape con la llave de 22 mm fuera de la zona de pintura.
2. Extraer con cuidado la horquilla (1) con el atornillador adjuntado, el resorte de presión (2) presiona fuera la bola (4) y el encaje de válvula (5).
3. Limpiar o sustituir las piezas sueltas.
4. Comprobar el deterioro del anillo toroidal (7).
5. Prestar atención a la posición de montaje al montar el anillo de seguridad elástico (3) (se asegura con clip en el resorte de presión (2)), el asiento de válvula de admisión (5) y el anillo junta (6), -> véase ilustración.

ADEMÁS, PRESTE ESPECIAL ATENCIÓN A LAS SIGUIENTES NOTAS:

1. Martille suavemente en el extremo de la llave (20 mm) para apretar por completo la válvula de salida en la sección de pintura (esto corresponde a aproximadamente a un torque de 90 Nm).
2. Durante el funcionamiento normal, revise periódicamente si se ha soltado la válvula de salida.
3. Además, siempre reemplace la junta (6) si desmontó la válvula de salida, sin importar el componente que desee reemplazar. Nota: La junta (6) está ubicada dentro de la sección de pintura.
4. La ranura en la junta (6) está orientada hacia afuera cuando se reemplaza.

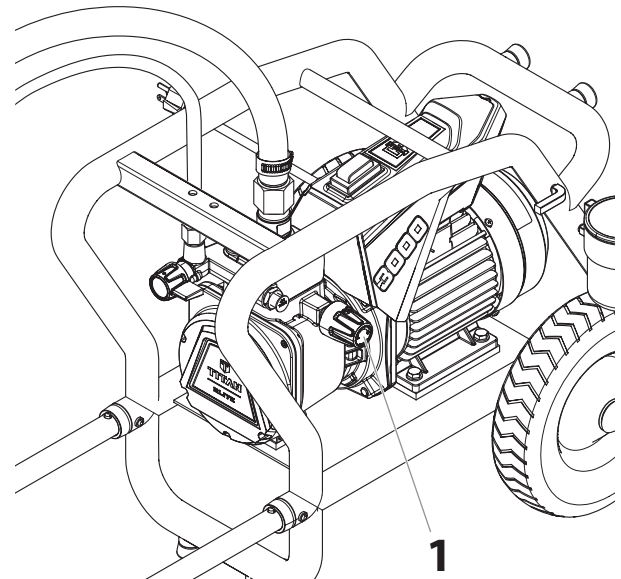


10.4 VÁLVULA REGULADORA DE PRESIÓN



Disponer el cambio de la válvula reguladora de presión (1) sólo a través del Titan servicio posventa.

La presión de servicio máxima será ajustada de nuevo por el Titan servicio posventa.



10.5 SUSTITUCIÓN DEL CABLE DE CONEXIÓN

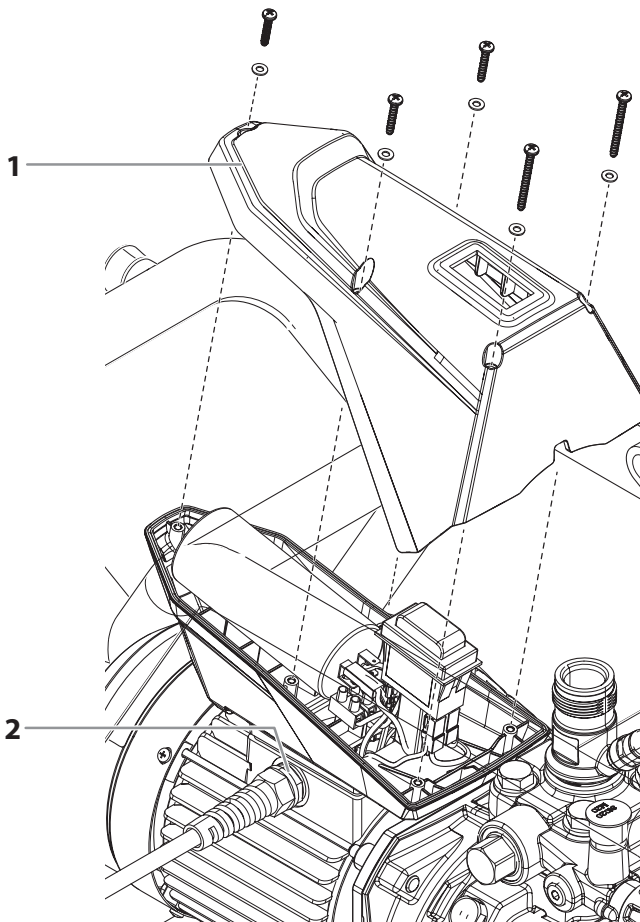


Disponer su ejecución únicamente por un electricista competente. No se asume ninguna responsabilidad por la instalación inadecuada.

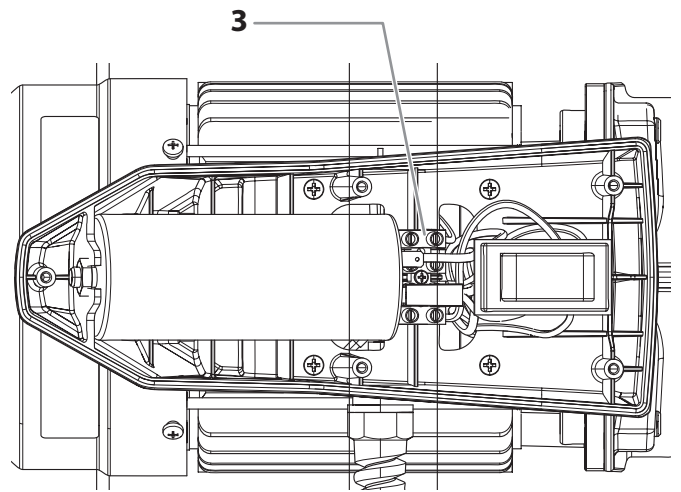
Desconectar el equipo.

Antes de toda reparación – extraer la clavija de red de la caja de enchufe.

1. Quitar la cubierta trasera (1) soltando los tornillos.
2. Aflojar la enroscadura de cables (2).



3. Soltar los conductores en el terminal de conexión de red (3).
4. Sustituir el cable de conexión.
5. Montar el conductor verde/amarillo al empalme PE.
6. Volver a montar cuidadosamente las cubiertas (¡Atención! ¡No oprimir ningún cable!).



10.6 CONSUMIBLES TÍPICOS

Pese a que se utilizan materiales de alta calidad, el efecto fuertemente abrasivo de las pinturas hace inevitable el desgaste en las siguientes partes:

VÁLVULA DE ADMISIÓN

(pieza de recambio N° de ped.: 0344700)

Sustitución, véase punto 10.1

(Fallo perceptible por la pérdida de rendimiento y/o aspiración deficiente o ausente - una limpieza a fondo puede también conducir a una mejora.)

VÁLVULA DE ESCAPE

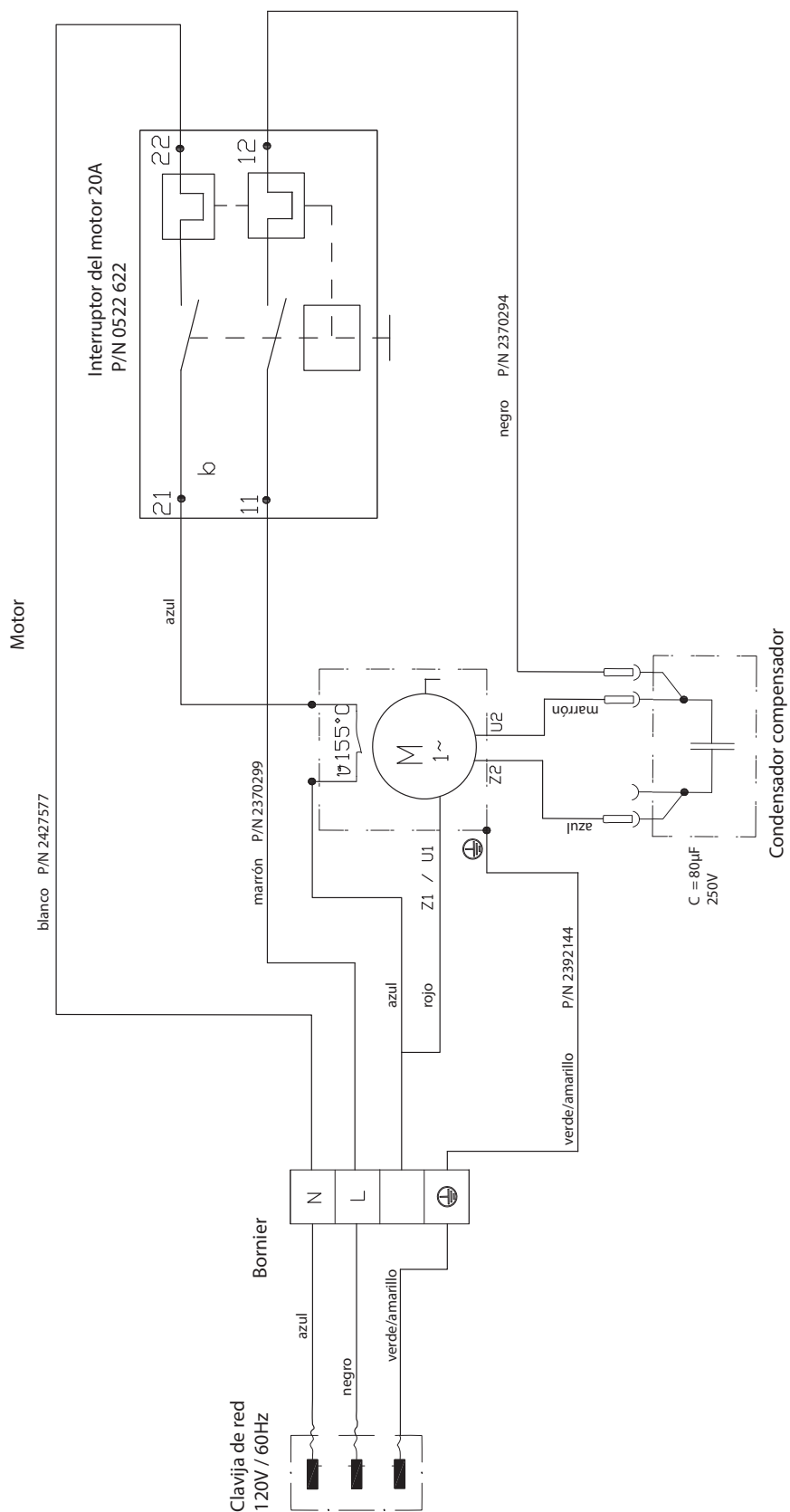
(pieza de recambio N° de ped.: 0341702)

Sustitución, véase punto 10.2

(Fallo perceptible por la pérdida de rendimiento y/o aspiración deficiente.)

La válvula de escape dura por experiencia más tiempo que la válvula de admisión. Eventualmente una limpieza a fondo puede también aquí ser favorable.

10.7 ESQUEMA ELÉCTRICO



10.8 PROCEDIMIENTO EN CASO DE AVERÍAS

Avería	¿Qué más?	Causa posible	Medidas para eliminación de la avería
El equipo no arranca.	El dispositivo no arranca después de conectarlo y encenderlo.	No hay tensión de alimentación.	Comprobar el abastecimiento de tensión.
		El fusible del equipo se ha accionado.	Dejar enfriar el motor.
		Se quemó el capacitor en la caja de terminales.	Reemplace el capacitor
		Se apagó el pulverizador mientras estaba bajo presión.	Ponga la válvula de despresurización en "C" (Circulación).
		Se sobrecargó la protección térmica del pulverizador.	Desconecte el cable de alimentación, apague la unidad y deje que la unidad se enfríe.
El aparato no aspira.	No salen burbujas por la manguera de retorno.	Válvula de entrada o salida pegada/desgastada	Desmonte y limpie la válvula (-> véase el punto 10.1/10.2). Sustituya las piezas desgastadas
		Válvula reguladora de presión girada totalmente atrás.	Gire la válvula reguladora de presión a la derecha, hasta el tope.
	Por la manguera de retorno salen burbujas.	El equipos aspira aire secundario.	Compruebe si el sistema de aspiración está bien apretado.
			Falta la entrada roja en la entrada de material de recubrimiento (-> véase el punto 4.1)
El equipo no genera presión.	El equipo ha aspirado.	Aire en la circulación de aceite (Posibles razones: mucho tiempo sin uso, reemplazo del diafragma o cambio de aceite hidráulico).	Ventilar el sistema hidráulico (-> véase el punto 4.6)
		El equipo tiene ahora presión, pero ésta decae al pulverizar.	Filtro de aspiración taponado.
	Pintura en este estado no procesable, a causa de sus características la pintura pega las válvulas (válvula de admisión) y el caudal es demasiado bajo.		Diluir la pintura.
	Los filtros obstruidos dejan pasar muy poca pintura.		(Filtro de alta presión si está presente), comprobar/limpiar el filtro de pistola.
	Boquilla obstruida.		Limpiar la boquilla.
	El equipo no genera la presión máx. posible, por la manguera de retorno sale pintura pese a la posición de pulverizado.	Válvula de descarga defectuosa.	Consulte al Servicio postventa Titan
	Después de un período largo, la presión baja o el rendimiento del tubo de aspiración disminuye (aunque todos los filtros conectados no estén bloqueados).	Válvula de entrada desgastada.	Reemplace la válvula de entrada.
		Válvula de salida desgastada.	Reemplace la válvula de salida.
		Boquilla desgastada.	Reemplace la boquilla.

GARANTÍA

Titan Tool, Inc., ("Titan") garantiza que al momento de la entrega al comprador original para su uso ("Usuario Final") el equipo que se encuentra bajo la cobertura de esta garantía no presentará defectos de materiales ni de mano de obra. A excepción de cualquier garantía especial, limitada o extendida publicada por Titan, la obligación de Titan según esta garantía se limita el reemplazo o la reparación sin cargo de las piezas, las que según el criterio de Titan se presenten como defectuosas dentro de doce (12) meses después de la venta al Usuario Final. Esta garantía es aplicable sólo cuando la unidad se instala y se hace funcionar de acuerdo con las recomendaciones e instrucciones de Titan.

Esta garantía no se aplica en caso de daño o desgaste provocado por abrasión, corrosión, uso indebido, negligencia, accidente, instalación defectuosa, sustitución de piezas de componentes que no pertenezcan a Titan o la alteración de la unidad de alguna manera que impida su funcionamiento normal.

Las piezas defectuosas se deben devolver a una tienda de ventas/servicio técnico autorizada de Titan. Todos los cargos de transporte, incluido el regreso a la fábrica de ser necesario, deben ser costeados y pagados por adelantado por el Usuario Final. El equipo que se repare o reemplace se devolverá al Usuario Final con los gastos de envío pagados por adelantado.

NO EXISTE OTRA GARANTÍA EXPRESA. POR ESTE MEDIO TITAN NIEGA TODAS LAS GARANTÍAS IMPLÍCITAS, ENTRE LAS QUE SE INCLUYEN, AQUELLAS DE COMERCIABILIDAD Y APTITUD PARA UN FIN EN PARTICULAR DENTRO DE LO QUE PERMITA LA LEY. LA DURACIÓN DE CUALQUIER GARANTÍA IMPLÍCITA QUE NO SE PUEDA NEGAR SE LIMITA AL PERÍODO QUE SE ESPECIFIQUE EN LA GARANTÍA EXPRESA. LA RESPONSABILIDAD DE TITAN NO EXCEDERÁ EN NINGÚN CASO EL VALOR DE LA COMPRA. LA RESPONSABILIDAD POR DAÑOS ESPECIALES, INDIRECTOS O EMERGENTES SEGÚN CUALQUIERA Y TODAS LAS GARANTÍAS ESTÁ EXCLUIDA DENTRO DE LO QUE PERMITA LA LEY.

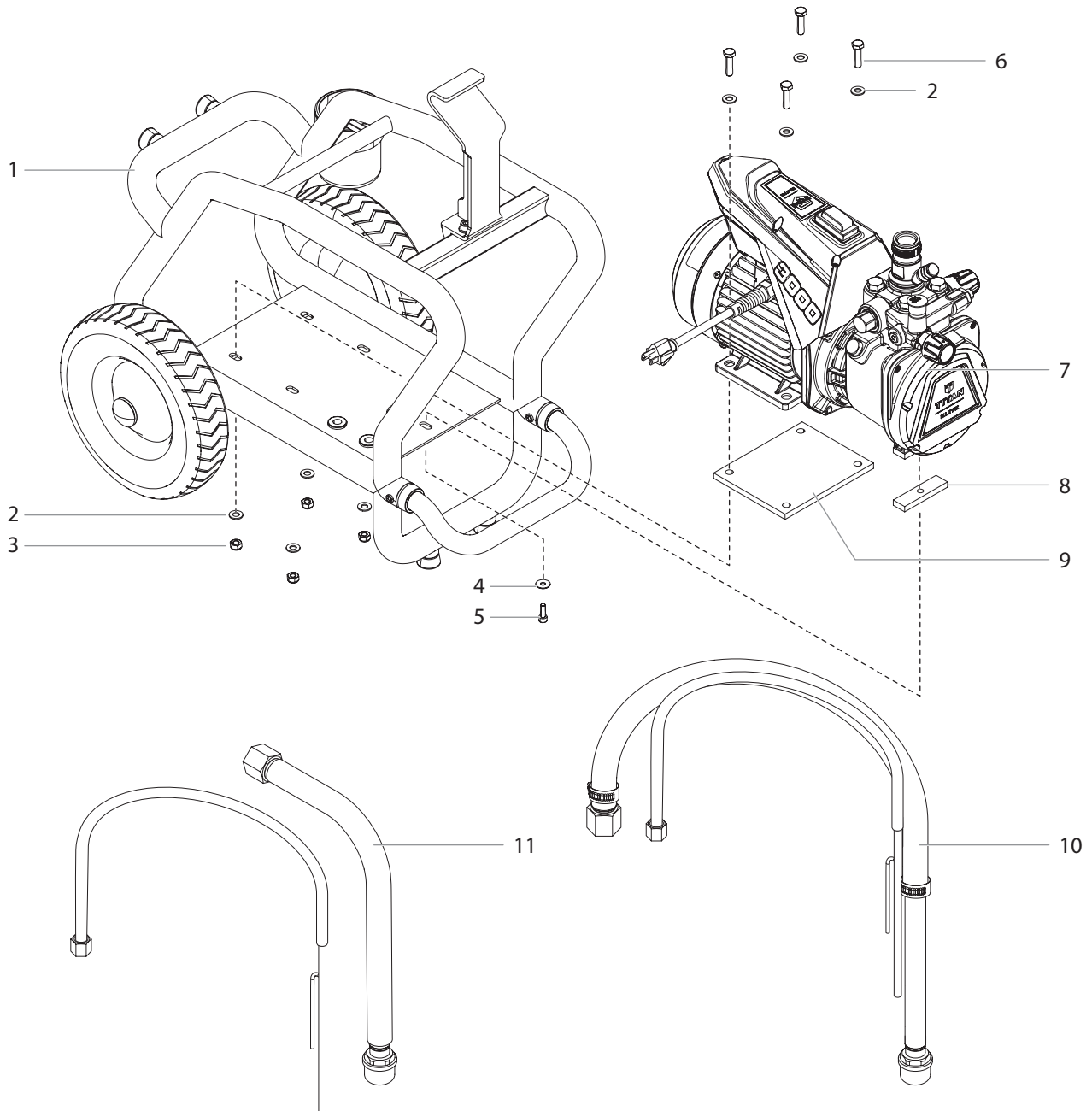
TITAN NO REALIZA NINGUNA GARANTÍA Y NIEGA TODAS LAS GARANTÍAS IMPLÍCITAS DE COMERCIABILIDAD Y APTITUD PARA UN FIN EN PARTICULAR EN RELACIÓN CON ACCESORIOS, EQUIPOS, MATERIALES O COMPONENTES QUE VENDA, PERO QUE NO FABRIQUE TITAN. ESTOS ARTÍCULOS QUE VENDA, PERO QUE NO FABRIQUE TITAN (TALES COMO MOTORES DE GAS, INTERRUPTORES, MANGUERAS, ETC.) ESTÁN SUJETOS A LA GARANTÍA, DE EXISTIR ALGUNA, DE SU FABRICANTE. TITAN PROPORCIONARÁ UNA ASISTENCIA RAZONABLE AL COMPRADOR PARA REALIZAR CUALQUIER RECLAMACIÓN POR EL INCUMPLIMIENTO DE ESTAS GARANTÍAS.

CUADRO DE PIEZAS DE RECAMBIO

EN MAIN ASSEMBLY

F ENSEMBLE PRINCIPAL

ES CONJUNTO PRINCIPAL



#	Elite 3000	Description	Description	Descripción
1*	2402523	Cart assembly	Ensemble de chariot	Ensamblaje del carro
2	9920102	Washer (8)	Rondelle (8)	Arandela (8)
3	9910208	Nut (4)	Écrou (4)	Tuerca (4)
4	9920304	Washer	Rondelle	Arandela
5	2391181	Screw	Vis	Tornillo
6	9900118	Screw (4)	Vis (4)	Tornillo (4)
7*	-----	Motor / pump assembly	Ensemble de moteur / pompe	Ensamblaje del motor / bomba
8	2369578	Foot, damping	Pied d'amortissement	Pie de amortiguación
9	2369545	Plate, damping	Plaque d'amortissement	Placa de amortiguación
10*	-----	Flexible suction system	Système d'aspiration flexible	Sistema de succión flexible
11*	-----	Rigid suction system	Système d'aspiration rigide	Sistema de succión rígido

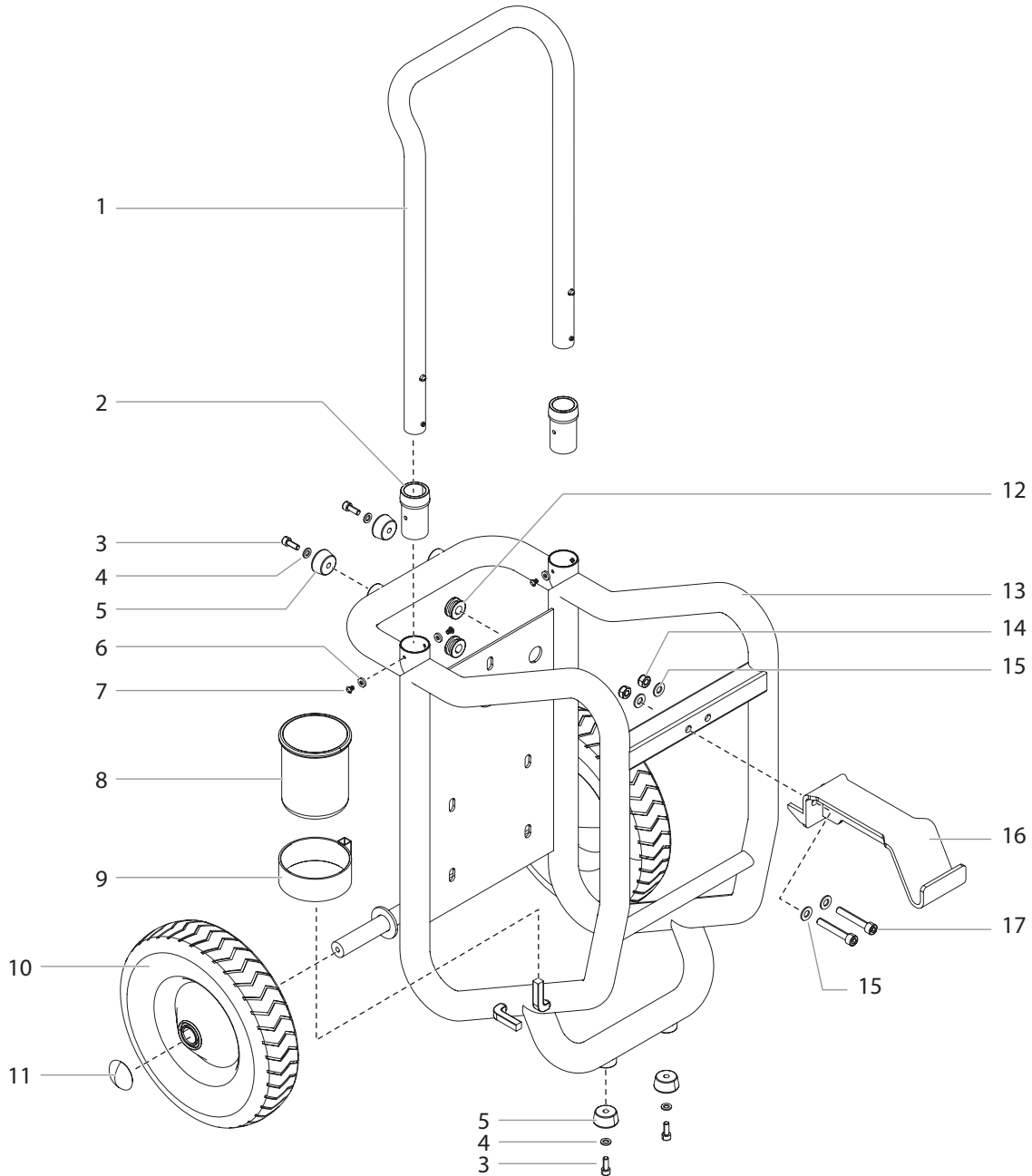
* See separate listing / voir la liste de pièces distincte / consulte la lista separada

CUADRO DE PIEZAS DE RECAMBIO

EN CART ASSEMBLY

F ENSEMBLE DE CHARIOT

ES CARRO



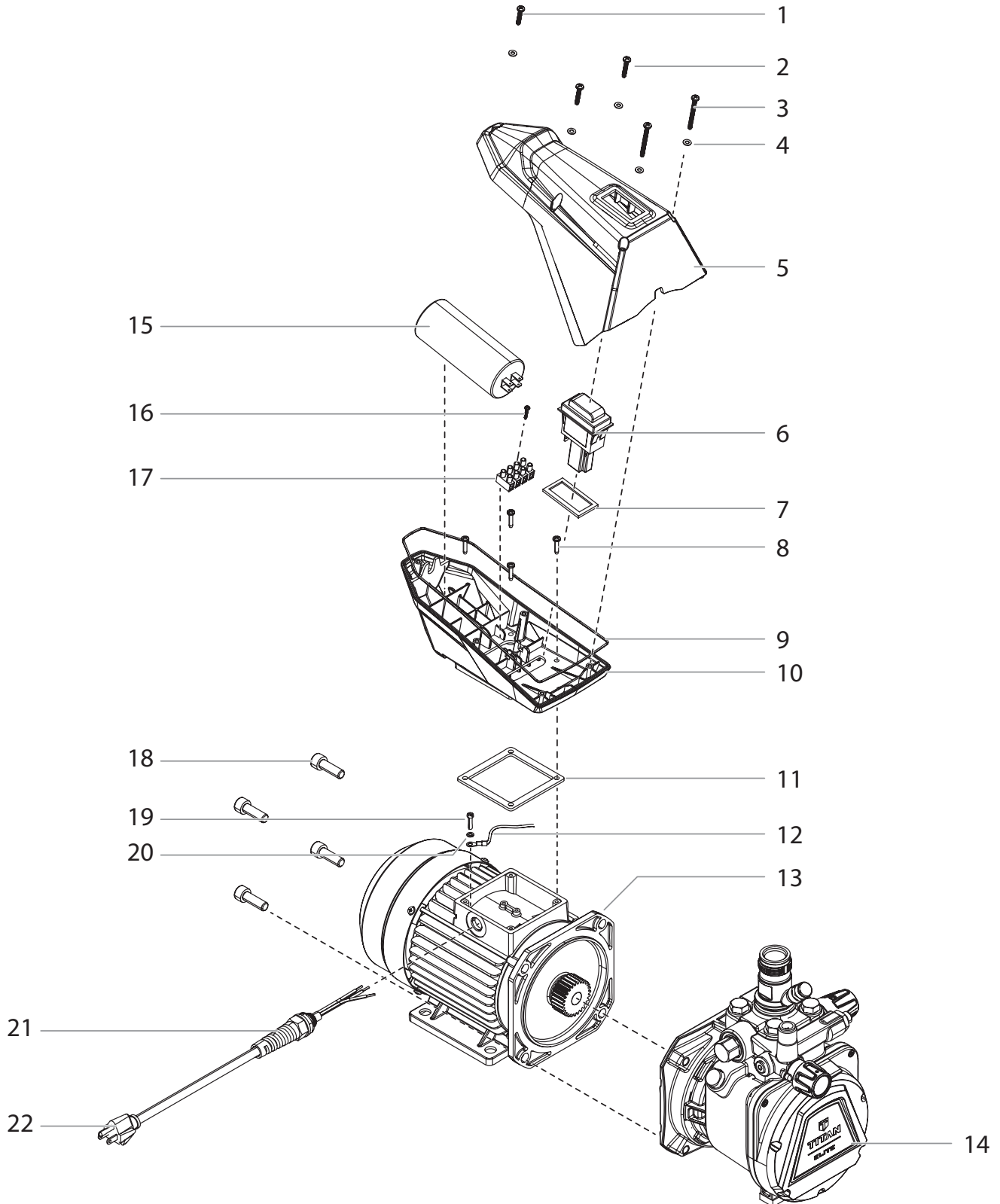
#	Elite 3000	Description	Description	Descripción
1	2402496	Handle assembly	Ensemble de la poignée	Conjunto de pieza de sujeción
2	2402511	Sleeve (2)	Douilles (2)	Manguito (2)
3	9900325	Screw (4)	Vis (4)	Tornillo (4)
4	2402525	Washer (4)	Rondelle (4)	Arandela (4)
5	2402512	Foot (4)	Pied (4)	Pie (4)
6	9822616	Washer (4)	Rondelle (4)	Arandela (4)
7	9805256	Screw (4)	Vis (4)	Tornillo (4)
8	2369585	Drip cup	Récipient de nettoyage	Recipiente de limpieza
9	2393786	Drip cup sleeve	Support récipient de nettoyage	Soporte para el recipiente de limpieza
10	2402494	Wheel (2)	Roue (2)	Rueda (2)
11	9994950	End cap (2)	Capuchon de roue (2)	Tapa de rueda (2)
12	800-036	Grommet (2)	Rondelle (2)	Ojal (2)
13	2402501	Cart assembly	Ensemble de chariot	Ensamblaje del carro
14	9910208	Nut (2)	Écrou (2)	Tuerca (2)
15	9920102	Washer (4)	Rondelle (4)	Arandela (4)
16	2402491	Pail bracket	Support du seau	Soporte del cubo
17	9900317	Screw (2)	Vis (2)	Tornillo (2)

CUADRO DE PIEZAS DE RECAMBIO

EN MOTOR / PUMP ASSEMBLY

F ENSEMBLE DE MOTEUR / POMPE

ES ENSAMBLAJE DEL MOTOR / BOMBA



#	Elite 3000	Description	Description	Descripción
1	2388381	Screw	Vis	Tornillo
2	9907003	Screw (2)	Vis (2)	Tornillo (2)
3	9907035	Screw (2)	Vis (2)	Tornillo (2)
4	2388377	Washer (5)	Rondelle (5)	Arandela (5)
5	2369533	Cover	Capot	Tapa
6	0522622	Switch, black (includes item 7)	Interrupteur, noir (réf. 7 comprise)	Interruptor, negro (pos. 7)
	9953681	Switch, yellow (includes item 7)	Interrupteur, jaune (réf. 7 comprise)	Interruptor, amarillo (pos. 7)
7	-----	Gasket	Joint	Sello
8	2391119	Screw (4)	Vis (4)	Tornillo (4)
9	2304608	Seal	Joint	Sello
10	2393035	Terminal box assy. (includes items 8-9 and 15-17)	Boîte à bornes compl. (réf. 8-9 et 15-17 comprise)	Caja de terminales compl. (pos. 8-9 y 15-17)
11	2369517	Motor seal	Joint moteur	Junta del motor
12	2392144	Grounding wire	Fil de mise à la terre	Cable de conexión a tierra
13*	2401124	Motor assembly	Ensemble de motor	Ensamblaje del motor
14	-----	Pump assembly	Ensemble de pompe	Ensamblaje de bomba
15	2402476	Capacitor 80uf 250V assy.	Condensateur 80uf 250V compl.	Condensador 80uf 250V compl.
16	9902234	Screw	Vis	Tornillo
17	9950244	Terminal strip	Plaque à bornes	Banda de terminales
18	9900301	Screw (4)	Vis (4)	Tornillo (4)
19	9900722	Grounding screw	Vis de mise à la terre	Tornillo de conexión a tierra
20	9921504	Washer	Rondelle	Arandela
21	2388374	Strain relief	Serre-câble	Protección contra tirones
22	2400736	Power cord	Cordon d'alimentation	Cable de alimentación

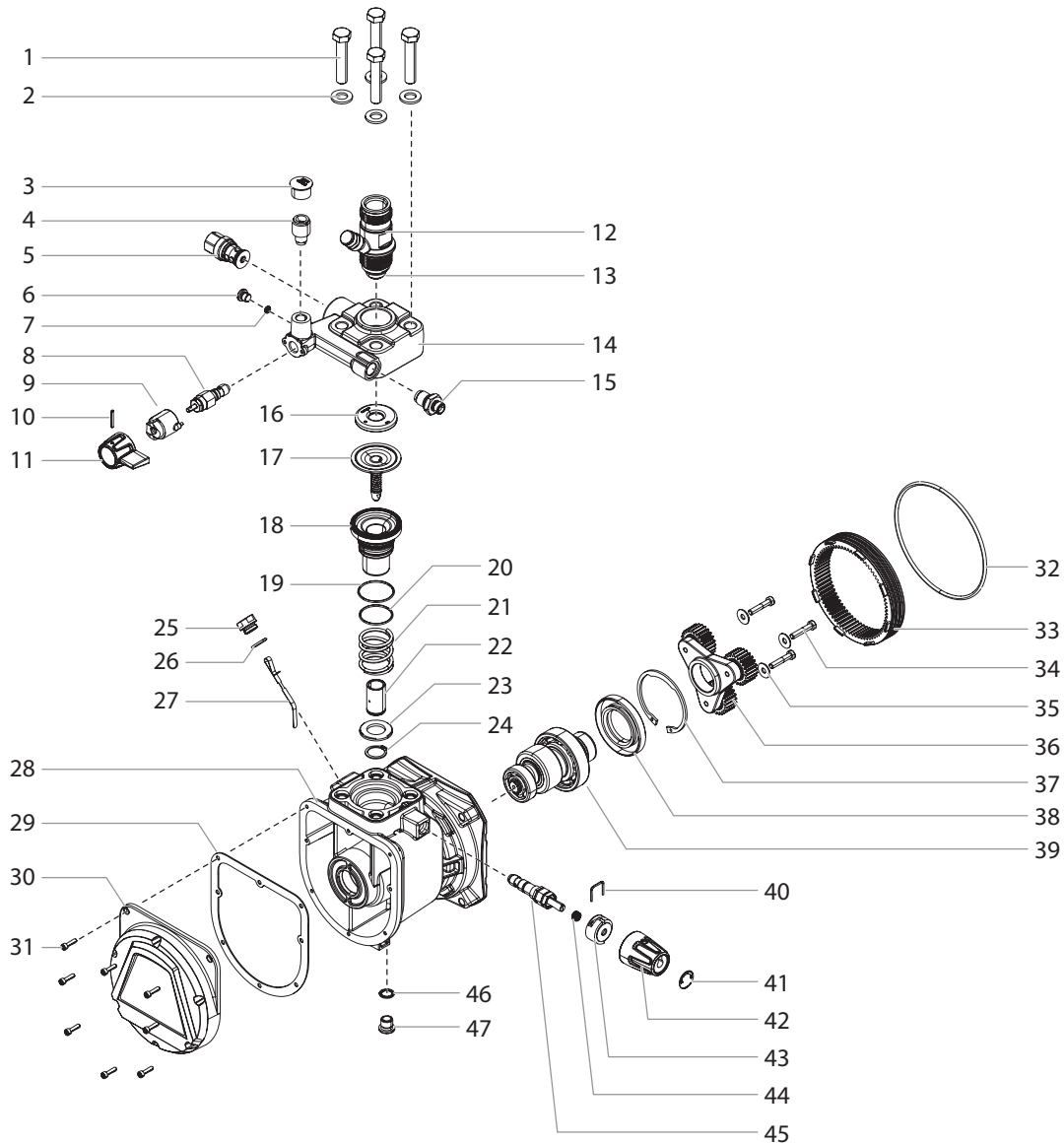
* See separate listing / voir la liste de pièces distincte / consulte la lista separada

CUADRO DE PIEZAS DE RECAMBIO

EN PUMP ASSEMBLY

F ENSEMBLE DE POMPE

ES ENSAMBLAJE DE BOMBA



Pos.	Elite 3000	Description	Description	Descripción
1	9900217	Screw (4)	Vis (4)	Tornillo (4)
2	9920134	Washer (4)	Rondelle (4)	Arandela (4)
3	2391209	Cap	Bouchon	Tapa
4	2369586	Bleed hose fitting	Raccord du tuyau de retour	Acople del tubo de retorno
5*	2369445	Outlet valve assembly	Ensemble de soupape de refoulement	Conjunto de válvula de salida
6	9904306	Plug	Bouchon	Enchufe
7	9970218	Seal	Joint d'étanchéité	Sello
8	2369631	Relief valve assembly	Logement de la soupape	Caja de la bomba la válvula
9	2388349	Cam base assembly	Ensemble de base à came	Conjunto de base de leva
10	2391169	Groove pin	Goupille	Pasador de surco
11	2369611	Valve handle	Manette de la soupape	Mango de la válvula

ELITE 3000

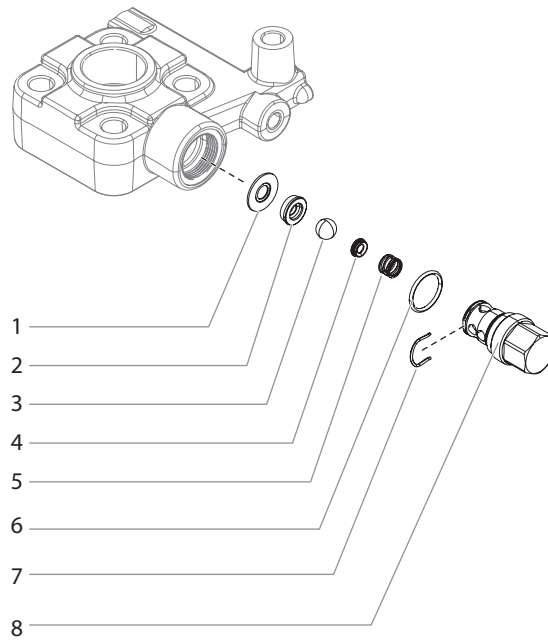
Pos.	Elite 3000	Description	Description	Descripción
12*	2334402	Pusher stem assembly	Ensemble de tige de poussée	Conjunto de vástago impulsor
13	2393043	Inlet valve	Compartiment des soupapes	Carcasa de la válvula
14	2369435	Pump head	Tête de pompe	Cabezal de bomba
15	2369436	Fitting	Raccord	Conector
16	2369432	Inlet	Orifice d'entrée	Admisión
17	2369431	Diaphragm assembly	Ensemble de diaphragme	Conjunto de diafragma
18	2369422	Pressure vessel	Réservoir à pression	Recipiente a presión
19	2337112	O-ring	Joint torique	Junta tórica
20	2337113	O-ring	Joint torique	Junta tórica
21	2369425	Compression spring	Ressort de compression	Resorte de compresión
22	2369424	Piston	Piston	Pistón
23	3061423	Washer	Rondelle	Arandela
24	2337078	Retaining ring	Bague de retenue	Anillo de retención
25	2369498	Plug	Bouchon	Enchufe
26	9971146	Seal	Joint d'étanchéité	Sello
27	2369497	Dip stick	Baguette jauge pour réservoir	Varilla de nivel de aceite
28	2388471	Pump manifold	Collecteur de pompe	Múltiple de la bomba
29	2369493	Manifold gasket	Joint de collecteur	Junta del múltiple
30	2369496	Front cover	Couvercle avant	Tapa delantera
31	9900308	Screw (8)	Vis (8)	Tornillo (8)
32	2391115	O-ring	Joint torique	Junta tórica
33	2369433	Gear ring	Couronne	Anillo de engranaje
34	-----	Screw (3)	Vis (3)	Tornillo (3)
35	-----	Washer (3)	Rondelle (3)	Arandela (3)
36	2369394	Carrier plate (includes items 34-35)	Plaque-support (comprend les articles 34 et 35)	Placa portadora (incluye los elementos 34-35)
37	3056464	Retaining ring	Bague de retenue	Anillo de retención
38	9970532	Shaft sealing ring	Joint d'étanchéité de l'arbre	Anillo de sellado del eje
39	2369380	Crankshaft assembly	Ensemble de vilebrequin	Conjunto de cigüeñal
40	2369486	Retaining clip	Pince	Abrazadera
41	2402153	Pressure control knob label	Étiquette du bouton de commande de pression	Etiqueta del regulador de presión
42	2369490	Pressure control knob	Bouton de commande de pression	Regulador de presión
43	2369484	Stop sleeve	Manchon d'arrêt	Camisa de detención
44	2369479	Pressure spring	Ressort de pression	Resorte de presión
45	2369477	Regulator assembly	Ensemble de régulateur	Conjunto de regulador
46	9970210	Seal	Joint d'étanchéité	Sello
47	9904307	Plug	Bouchon	Enchufe
	537903	Valve repair kit (includes items 5 and 13)	Trousse de réparation de soupape (comprend les articles 5 et 13)	Kit de reparación de la válvula (incluye los elementos 5 y 13)
	2393047	Relief valve kit (includes items 9-11)	Trousse de soupape (comprend les articles 9 à 11)	Kit de válvula (incluye los elementos 9-11)
	2393138	Diaphragm kit (includes items 16-17)	Trousse de diaphragme (comprend les articles 16 à 17)	Kit de diafragma (incluye los elementos 16-17)

* See separate listing / voir la liste de pièces distincte / consulte la lista separada

CUADRO DE PIEZAS DE RECAMBIO

EN OUTLET VALVE ASSEMBLY
 ES CONJUNTO DE VÁLVULA DE SALIDA

F ENSEMBLE DE SOUPEPE DE REFOULEMENT

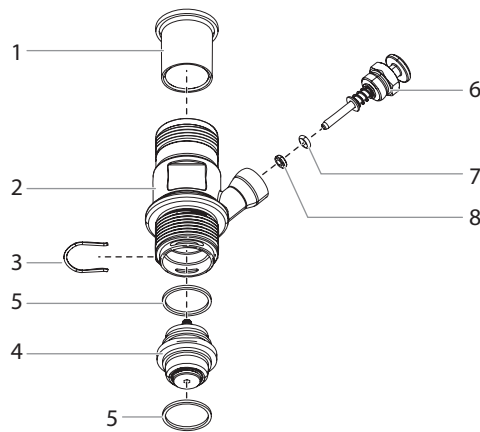


Pos.	Elite 3000	Description	Description	Descripción
1	341347	Seal	Joint d'étanchéité	Sello
2	341327	Outlet valve seat	Siège de soupape de sortie	Asiento de la válvula de salida
3	9941501	Outlet valve ball	Bille de soupape de sortie	Bola de la válvula de salida
4	253405	Spring support ring	Bague de soutien du support	Anillo de soporte del resorte
5	341326	Compression spring	Ressort de compression	Resorte de compresión
6	9971470	O-ring	Joint torique	Junta tórica
7	341328	Clip	Clip	Sujetador
8	-----	Outlet valve housing	Boîtier de la soupape de sortie	Carcasa de la válvula de salida
	2369445	Outlet valve assembly (includes items 1-8)	Ensemble de soupape de refoulement (includ les articles 1 à 8)	Conjunto de válvula de salida (incluye elementos 1 a 8)

EN **PUSHER STEM ASSEMBLY**

F **ENSEMBLE DE TIGE DE POUSSÉE**

ES **CONJUNTO DE VÁSTAGO IMPULSOR**



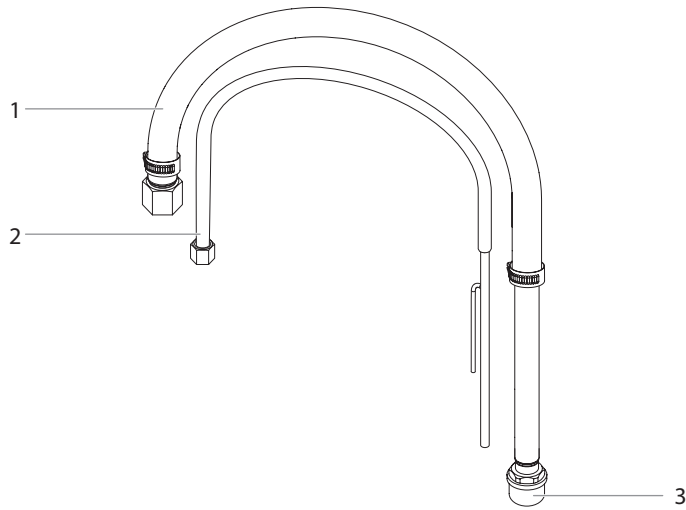
Pos.	Elite 3000	Description	Description	Descripción
1	2369454	Inlet	Orifice d'entrée	Admisión
2	2334383	Inlet housing	Carter d'entrée	Carcasa de entrada
3	2369455	Clip	Agrafe	Sujetador
4	2393043	Inlet valve (includes item 5)	Compartment des soupapes (includ l'article 5)	Carcasa de la válvula (incluye elemento 5)
5	2369458	Seal (2)	Joint d'étanchéité (2)	Sello (2)
6	2369452	Inlet valve pusher assembly (includes item 6-7)	Ensemble de pousseur de la soupape d'admission (includ l'article 6-7)	Conjunto de impulsor de válvula de entrada (incluye elemento 6-7)
7	9971486	O-ring	Joint torique	Junta tórica
8	341316	Wiper	Protecteur d'étanchéité	Protector de sellado

CUADRO DE PIEZAS DE RECAMBIO

EN FLEXIBLE SUCTION SET

F SYSTÈME D'ASPIRATION FLEXIBLE

ES SISTEMA DE SUCCIÓN FLEXIBLE

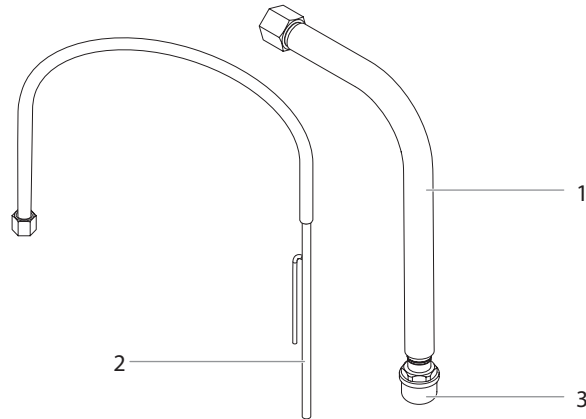


#	Elite 3000	Description	Description	Descripción
1	2390605	Suction hose assy. (incl. filter)	Tuyau d'aspiration complet (filtre inclus)	Manguera de aspiración compl. (incl. filtro)
2	2390606	Return hose assy.	Tuyau de retour complet	Manguera de retorno compl.
3	2323325	Suction filter	Filtre d'aspiration	Filtro de aspiración
	2393123	Suction system assy (includes items 1-3).	Système d'aspiration complet (inclus les articles 1 à 3)	Sistema de aspiración compl. (incl. artículos 1-3)

EN RIGID SUCTION SET

F SYSTÈME D'ASPIRATION RIGIDE

ES SISTEMA DE SUCCIÓN FLEXIBLE



#	Elite 3000	Description	Description	Descripción
1	2405951	Suction hose assy. (incl. filter)	Tuyau d'aspiration complet (filtre inclus)	Manguera de aspiración compl. (incl. filtro)
2	2390606	Return hose assy.	Tuyau de retour complet	Manguera de retorno compl.
3	2323325	Suction filter	Filtre d'aspiration	Filtro de aspiración
	2405950	Suction system assy (includes items 1-3).	Système d'aspiration complet (inclus les articles 1 à 3)	Sistema de aspiración compl. (incl. artículos 1-3)

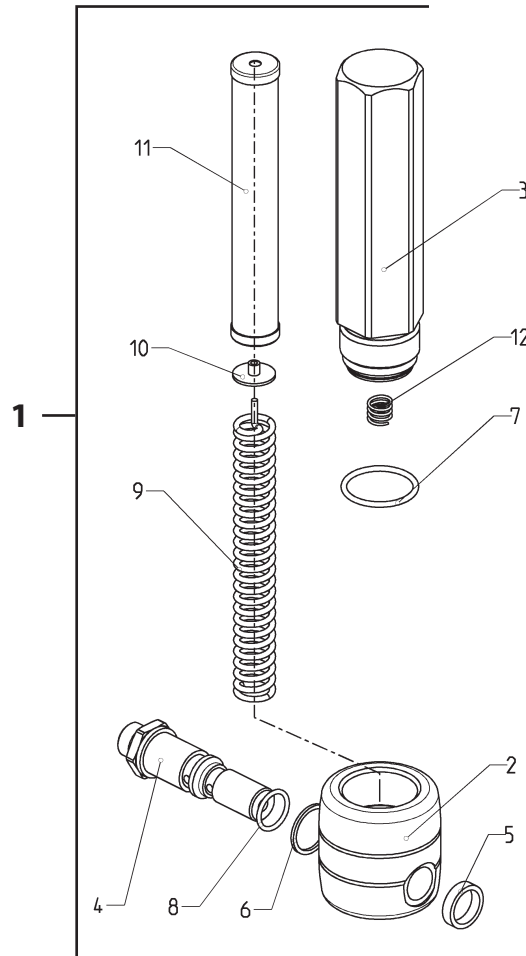
CUADRO DE PIEZAS DE RECAMBIO

EN HIGH PRESSURE FILTER ASSEMBLY (ACCESSORY)

F

FILTRE HAUTE PRESSION (ACCESSOIRE)

ES FILTRO DE ALTA PRESIÓN (ACCESORIO)

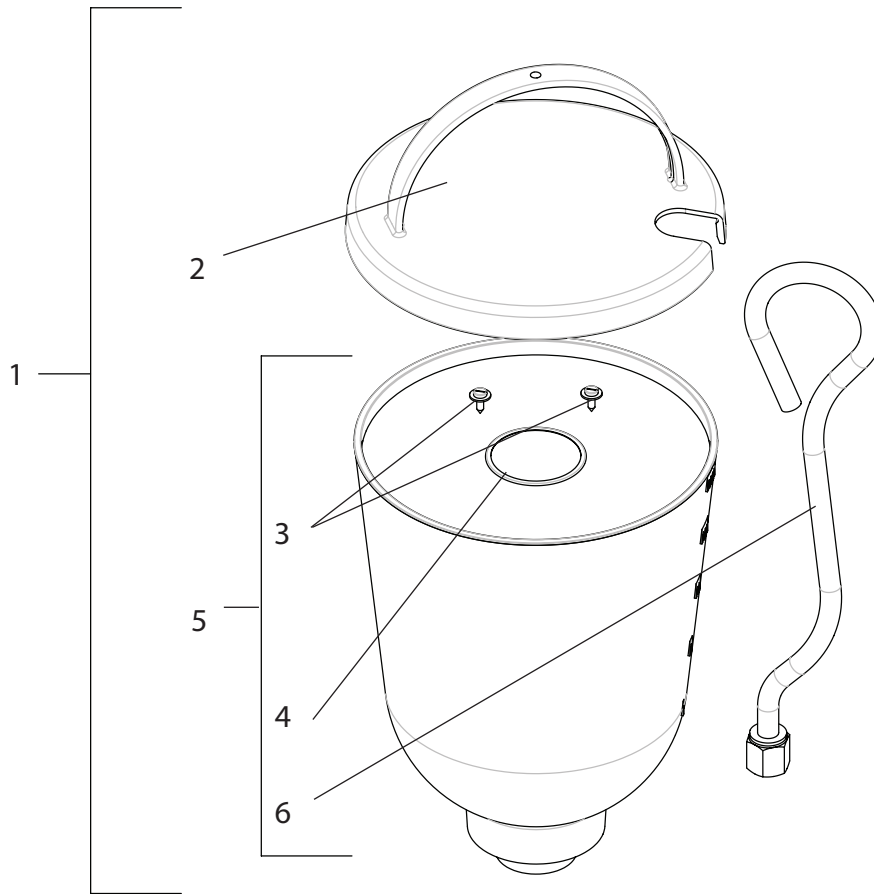


#	Elite 3000	Description	Description	Descripción
1	0097 123	High-pressure filter HF- 01 compl.	Filtre haute pression HF- 01 complet	Filtro de alta presión HF - 01 compl.
2	0097 301	Filter block	Bloc de filtre	Bloque filtrante
3	0097 302	Filter housing	Boîtier de filtre	Caja de filtro
4	0097 306	Hollow screw	Vis creuse	Tornillo hueco
5	0097 304	Seal ring	Bague d'étanchéité	Anillo junta
6	9970 110	Seal ring	Bague d'étanchéité	Anillo junta
7	9974 027	O-ring 30x2 (PTFE)	Joint torique 30x2 (PTFE)	Anillo toroidal 30x2 (PTFE)
8	9971 401	O-ring 16x2 (PTFE)	Joint torique 16x2 (PTFE)	Anillo toroidal 16x2 (PTFE)
9	0508 749	Bearing spring	Ressort de support	Resorte de apoyo
10	0508 603	Bearing ring	Disque de support	Arandela de apoyo
11	730-067	Filter insert 60 mesh	Élément filtrant 60 mailles	Cartucho filtrante 60 mallas
	730-067-10	Filter insert 100 mesh (optional)	Élément filtrant 100 mailles (en option)	Cartucho filtrante 100 mallas (Opcional)
	730-067-30	Filter insert 30 mesh (optional)	Élément filtrant 30 mailles (en option)	Cartucho filtrante 30 mallas (Opcional)
12	9994 245	Pressure spring	Ressort de compression	Resorte de presión

EN HOPPER (ACCESSORY)

F RÉCIPIENT SUPÉRIEUR (ACCESOIRE)

ES DEPÓSITO SUPERIOR (ACCESORIO)



#	Elite 3000	Description	Description	Descripción
1	341 267	Hopper 5l, assy. (pos. 2-6)	Réceptient supérieur 5 l, complet	Depósito superior 5 l, compl.
2	340 901	Cover	Couvercle	Tapa
3	9902 306	Sheet metal screw 3,9x13 (2)	Vis à tôle combinée 3,9x13 (2)	Tornillo para chapa combinado 3,9x13 (2)
4	0037 607	Filter disk, mesh width 0,8 mm	Disque filtrant, ouverture de maille 0,8 mm	Filtro rondel, ancho de malla 0,8 mm
	0003 756	Filter disk, mesh width 0,4 mm (optional)	Disque filtrant, ouverture de maille 0,4 mm (en option)	Filtro rondel, ancho de malla 0,4 mm (Opcional)
5	340 265	Hopper	Réceptient supérieur	Depósito superior
6	340 908	Return pipe	Tuyau de retour	Tubo de retorno

EN ACCESSORIES

F ACCESSOIRES

ES ACCESORIOS

PART NO.	DESCRIPTION	DESCRIPTION	DESCRIPCIÓN
SPRAY GUNS		PISTOLETS DE PULVÉRISATION	PISTOLAS PULVERIZADORAS
0538005	RX-80 with TR1 517 Tip	RX-80 avec buse TR1 517	RX-80 con boquilla TR1 517
0538020	RX-Pro with TR1 517 Tip	RX-Pro avec buse TR1 517	RX-Pro con boquilla TR1 517
0550060	S-3 spray gun	Pistolet de pulvérisation S-3	Pistola pulverizadora S-3
0289013	M-4 spray gun	Pistolet de pulvérisation M-4	Pistola pulverizadora M-4
0538217	RX-Pro, small grip	RX-Pro, petite poignée	RX-Pro, agarre pequeño
0538218	RX-Pro, medium grip	RX-Pro, moyenne poignée	RX-Pro, agarre mediano
0538219	RX-Pro, large grip	RX-Pro, grande poignée	RX-Pro, agarre grande
SPRAY TIPS AND ACCESSORIES		BUSES D'AIR ET ACCESSOIRES	BOQUILLAS DE PULVERIZACIÓN Y ACCESORIOS
662-XXX	SC-6+ Tip*	Buse SC-6+*	Boquilla SC-6+*
695-XXX	TR1 Tip*	Buse TR1*	Boquilla TR1*
330-XXX	TR1 HEA Tip*	Buse TR1 HEA*	Boquilla TR1 HEA*
671-XXX	Fine Finish Tip*	Buse Fine Finish*	Boquilla Fine Finish*
0289228	No Build Tip Guard	Protecteur de buse sans accumulation	Protección de la boquilla contra la acumulación de residuos
651-139	Tip Swivel	Pivot de buse	Dispositivo giratorio de la boquilla
661-020	Tip seat and seal kit (5 pack)	Siège de buse et trousse d'étanchéité (ensemble de 5)	Kit de boquillas con asiento y sello (paq. de 5)
FILTERS		FILTRES	FILTROS
0089957	Coarse Mesh Filter (Green)	Filtre de maille grossier (vert)	Filtro de malla gruesa (verde)
0089958	Medium Mesh Filter (White)	Filtre de maille moyen (blanc)	Filtro de malla media (blanco)
0089959	Fine Mesh Filter (Yellow)	Filtre de maille fin (jaune)	Filtro de malla delgada (amarillo)
0089960	Extra Fine Mesh Filter (Red)	Filtre de maille extra-fin (rouge)	Filtro de malla extra fina (rojo)
730-067	Filter insert 60 mesh	Élément filtrant 60 mailles	Cartucho filtrante 60 mallas
730-067-10	Filter insert 100 mesh	Élément filtrant 100 mailles	Cartucho filtrante 100 mallas
730-067-30	Filter insert 30 mesh	Élément filtrant 30 mailles	Cartucho filtrante 30 mallas

PART NO.	DESCRIPTION	DESCRIPTION	DESCRIPCIÓN
EXTENSIONS		RALLONGES	EXTENSIONES
651-070	6" Tip Extension	Rallonge de buse de 15 cm	Extensión de boquilla de 15 cm
651-071	12" Tip Extension	Rallonge de buse de 30 cm	Extensión de boquilla de 30 cm
651-072	18" Tip Extension	Rallonge de buse de 45 cm	Extensión de boquilla de 45 cm
651-073	24" Tip Extension	Rallonge de buse de 60 cm	Extensión de boquilla de 60 cm
310-390	3' Extension Pole	Tige rallonge de 1 mètre	Alargadera de extensión de 1 m
310-391	6' Extension Pole	Tige rallonge de 2 mètres	Alargadera de extensión de 2 m
AIRLESS HOSE AND ACCESSORIES		TOYAU SANS AIR ET ACCESSOIRES	MANGUERAS Y ACCESORIOS SIN AIRE
316-505	1/4" x 50' Airless Hose	Tuyau sans air de 0,6 cm x 15 m	Manguera sin aire de 1/4" x 50'
0291006	3/8" x 50' Airless Hose	Tuyau sans air de 0,9 cm x 15 m	Manguera sin aire de 3/8" x 50'
316-506	3/16" x 5' Whip Hose	Tuyau flexible de 0,5 cm x 1,5 m	Conexión flexible de manguera de 3/16" x 5'
490-012	1/4" x 1/4" hose connector	Raccord de tuyau de 0,6 cm x 0,6 cm	Conector de manguera de 1/4" x 1/4"
0508239	High Pressure Fluid Gauge	Jauge de liquide à haute pression	Medidor de líquido de alta presión
310-150	9" Pressure Roller Kit	Trousse de rouleau de pression de 23 cm	Kit de rodillo de presión de 23 cm
LUBRICANTS AND CLEANERS		LUBRIFIANTS ET NETTOYANTS	LUBRICANTES Y LIMPIADORES
314-482	Liquid Shield™ 1 Quart	Liquid Shield™, 946 ml	Liquid Shield™ 946 ml
314-480	Piston Lube™, 8 oz	Piston Lube™, 240 ml	Piston Lube™, 240 ml
700-926	Piston Lube™, 1 Quart	Piston Lube™, 946 ml	Piston Lube™, 946 ml
0297055	Pump Shield™, 12 oz.	Pump Shield™, 355 ml	Pump Shield™, 355 ml.
0508071	Paint Mate 1 Quart	Paint Mate, 946 ml	Paint Mate, 946 ml
*	Go to www.titantool.com for tip sizes	Visitez www.titantool.com pour la pointe des buse de pulvérisation	Visitar www.titantool.com de tamaño de las boquillas de pulverización



TITAN[®]

ELITE[™] 3000

PERMASTROKE TECHNOLOGY[™]

Hydraulic Fluid Displacement Pump System Inside

UNITED STATES SALES & SERVICE

WEB: www.titantool.com

PHONE: 1-800-526-5362

1770 Fernbrook Lane

Minneapolis, MN 55447

INTERNATIONAL

WEB: www.titantool-international.com