



TITAN®

OPERATION MANUAL

POWRLINER™ 850

- GB -	OPERATION MANUAL	2
- D -	BETRIEBSANLEITUNG	22
- F -	MODE D'EMPLOI	44

AIRLESS, HIGH-PRESSURE
SPRAYING UNIT

AIRLESS HOCHDRUCK-
SPRITZGERÄT

GROUPE DE PROJECTION À
HAUTE PRESSION



For use with latex or water-based materials only.

**Nur mit Latex oder wasser-
verdünnbaren Materialien verwenden.**

**Réservé à l'utilisation avec les produits
à base de latex ou d'eau.**



Models:

0290005

Warning!

Attention: Danger of injury by injection!
Airless units develop extremely high spraying pressures.

**1**

Never put your fingers, hands or any other parts of the body into the spray jet!

Never point the spray gun at yourself, other persons or animals.

Never use the spray gun without safety guard.

Do not treat a spraying injury as a harmless cut. In case of injury to the skin through coating materials or solvents, consult a doctor immediately for quick and expert treatment. Inform the doctor about the coating material or solvent used.

2

The operating instructions state that the following points must always be observed before starting up:

1. Faulty units must not be used.
2. Secure Titan spray gun using the safety catch on the trigger.
3. Ensure that the unit is properly earthed.
4. Check allowable operating pressure of high-pressure hose and spray gun.
5. Check all connections for leaks.

3

The instructions regarding regular cleaning and maintenance of the unit must be strictly observed.

Before any work is done on the unit or for every break in work the following rules must be observed:

1. Release the pressure from spray gun and hose.
2. Secure the Titan spray gun using the safety catch on the trigger.
3. Switch off unit.

Be safety conscious!



Contents


	Page		Page
1. Safety regulations for Airless spraying	2	5. Cleanup	15
1.1 Explanation of symbols used.....	2	5.1 Special cleanup instructions for use with flammable solvents.....	15
1.2 Gasoline engine safety.....	5	5.2 Cleaning the sprayer.....	15
1.3 Fueling (gas engine)	6	5.3 Special cleanup.....	16
2. General view of application	7	5.4 Cleaning / replacing the gun filter	16
2.1 Application.....	7	5.5 Cleaning the Sureflo™ valve.....	17
2.2 Coating materials.....	7	6. Maintenance	17
3. Description of unit	7	6.1 Adjusting the trigger tension.....	17
3.1 Airless process.....	7	6.2 Maintaining the engine	18
3.2 Functioning of the unit.....	7	6.3 Safety shut-off switch.....	18
3.3 System diagram.....	8	6.4 High pressure hose	18
3.4 Technical data.....	9	6.5 Replacing the relief valve.....	19
3.5 Operator controls	9	6.6 Servicing the fluid section	20
4. Operation	10	7. Remedy in case of faults	21
4.1 Setup.....	10	Accessories and spare parts	66
4.2 Preparing to paint	11	Spare parts list for the main assembly.....	66/67
4.3 Painting	12	Spare parts list for the drive assembly.....	68/69
4.4 Attaching the tip guard and tip.....	13	Spare parts list for the cart assembly	70/71
4.5 Pressure relief procedure.....	13	Spare parts list for gun holder assembly	72/73
4.6 Cleaning a clogged tip.....	14	Spare parts list for the spray gun.....	74
4.7 Changing a spray tip.....	14	Connection diagram	75
4.8 Stenciling	15	Accessories for PowrLiner 850 units	76
4.9 Operating the front caster.....	15	TR ¹ Striping Tips	76
		TR ¹ Striping Tip Chart	78
		Warranty	80

1. Safety regulations for Airless spraying

1.1 Explanation of symbols used

This manual contains information that must be read and understood before using the equipment. When you come to an area that has one of the following symbols, pay particular attention and make certain to heed the safeguard.

	This symbol indicates a potential hazard that may cause serious injury or loss of life. Important safety information will follow.
	This symbol indicates a potential hazard to you or to the equipment. Important information that tells how to prevent damage to the equipment or how to avoid causes of minor injuries will follow.
	Danger of skin injection
	Danger of fire from solvent and paint fumes
	Danger of explosion from solvent, paint fumes and incompatible materials
	Danger of injury from inhalation of harmful vapors
	Notes give important information which should be given special attention.

	<p>WARNING! CALIFORNIA PROPOSITION 65 WARNING</p> <p>This product can expose you to chemicals including lead, which are known to the State of California to cause cancer, birth defects, or other reproductive harm.</p> <p>The engine exhaust from models with gas-powered engines can expose you to carbon monoxide which is known to the State of California to cause cancer, birth defects, and other reproductive harm.</p> <p>For more information go to www.P65warnings.ca.gov.</p>
---	---



HAZARD: INJECTION INJURY

A high pressure stream produced by this equipment can pierce the skin and underlying tissues, leading to serious injury and possible amputation.

Do not treat a spraying injury as a harmless cut. In case of injury to the skin through coating materials or solvents, consult a doctor immediately for quick and expert treatment. Inform the doctor about the coating material or solvent used.

PREVENTION:

- NEVER aim the gun at any part of the body.
- NEVER allow any part of the body to touch the fluid stream. DO NOT allow body to touch a leak in the fluid hose.
- NEVER put your hand in front of the gun. Gloves will not provide protection against an injection injury.
- ALWAYS lock the gun trigger, shut the fluid pump off and release all pressure before servicing, cleaning the tip guard, changing tips, or leaving unattended. Pressure will not be released by turning off the engine. The PRIME/SPRAY valve or pressure bleed valve must be turned to their appropriate positions to relieve system pressure.
- ALWAYS keep tip guard in place while spraying. The tip guard provides some protection but is mainly a warning device.
- ALWAYS remove the spray tip before flushing or cleaning the system.
- NEVER use a spray gun without a working trigger lock and trigger guard in place.
- All accessories must be rated at or above the maximum operating pressure range of the sprayer. This includes spray tips, guns, extensions, and hose.



HAZARD: HIGH PRESSURE HOSE

The paint hose can develop leaks from wear, kinking and abuse. A leak can inject material into the skin. Inspect the hose before each use.

PREVENTION:

- Avoid sharp bending or kinking of the high-pressure hose. The smallest bending radius amounts to about 20 cm.
- Do not drive over the high-pressure hose. Protect against sharp objects and edges.
- Replace any damaged high-pressure hose immediately.
- Never repair defective high-pressure hoses yourself!
- Electrostatic charging of spray guns and the high-pressure hose is discharged through the high-pressure hose. For this reason the electric resistance between the connections of the high-pressure hose must be equal to or lower than 1MΩ.
- For reasons of function, safety and durability use only original Titan high-pressure hoses.
- Before each use, check all hoses for cuts, leaks, abrasion or bulging of cover. Check for damage or movement of couplings. Immediately replace the hose if any of these conditions exist. Never repair a paint hose. Replace it with another earthed high-pressure hose.
- Make sure power cord, air hose and spray hoses are routed in such a manner to minimize slip, trip and fall hazard.



HAZARD: EXPLOSION OR FIRE

Flammable vapors, such as solvent and paint vapors, in work area can ignite or explode.

PREVENTION:

- Use equipment only in well ventilated area. Keep a good supply of fresh air moving through the area to keep the air within the spray area free from accumulation of flammable vapors. Keep pump assembly in well ventilated area. Do not spray pump assembly.
- Gas models only - Do not fill fuel tank while engine is running or hot; shut off engine and allow to cool. Fuel is flammable and can ignite or explode if spilled on a hot surface.
- Eliminate all ignition sources, such as pilot lights, cigarettes, portable electric lamps and plastic drop cloths (potential static arc).
- Keep work area free of debris, including solvent, rags and gasoline.
- Do not plug or unplug power cords, or turn power or light switches on or off when flammable vapors are present.
- Ground equipment and conductive objects in work area. Make sure grounding chain is in place and reaches the ground.
- Use only grounded hoses.
- Hold spray gun firmly to the side of a grounded pail when triggering into pail.
- If there is static sparking or if you feel a shock, stop operation immediately.
- Know the contents of the paint and solvents being sprayed. Read all Material Safety Data Sheets (SDS) and container labels provided with the paints and solvents. Follow the paint and solvent manufacturer's safety instructions.
- Do not use a paint or solvent containing halogenated hydrocarbons. Such as chlorine, bleach, mildewcide, methylene chloride and trichloroethane. They are not compatible with aluminum. Contact the coating supplier about compatibility of material with aluminum.
- Keep a fire extinguisher in work area.

**HAZARD: HAZARDOUS VAPORS**

Paints, solvents, and other materials can be harmful if inhaled or come in contact with body. Vapors can cause severe nausea, fainting, or poisoning.

PREVENTION:

- Wear respiratory protection when spraying. Read all instructions supplied with the mask to be sure it will provide the necessary protection.
- All local regulations regarding protection against hazardous vapors must be observed.
- Wear protective eyewear.
- Protective clothing, gloves and possibly skin protection cream are necessary for the protection of the skin. Observe the regulations of the manufacturer concerning coating materials, solvents and cleaning agents in preparation, processing and cleaning units.

**HAZARD: GENERAL**

This product can cause severe injury or property damage.

PREVENTION:

- Follow all appropriate local, state, and national codes governing ventilation, fire prevention, and operation.
- Pulling the trigger causes a recoil force to the hand that is holding the spray gun. The recoil force of the spray gun is particularly powerful when the tip has been removed and a high pressure has been set on the airless pump. When cleaning without a spray tip, set the pressure control knob to the lowest pressure.
- Use only manufacturer authorized parts. User assumes all risks and liabilities when using parts that do not meet the minimum specifications and safety devices of the pump manufacturer.
- ALWAYS follow the material manufacturer's instructions for safe handling of paint and solvents.
- Clean up all material and solvent spills immediately to prevent slip hazard.
- Wear ear protection. This unit can produce noise levels above 85 dB(A).
- Never leave this equipment unattended. Keep away from children or anyone not familiar with the operation of airless equipment.
- Do not spray on windy days.
- The device and all related liquids (i.e. hydraulic oil) must be disposed of in an environmentally friendly way.

1.2 Gasoline Engine Safety

1. Gas engines are designed to give safe and dependable service if operated according to instructions. Read and understand the engine manufacturer's Owner's Manual before operating the engine. Failure to do so could result in personal injury or equipment damage.
2. To prevent fire hazards and to provide adequate ventilation, keep the engine at least 1 meter (3 feet) away from buildings and other equipment during operation. Do not place flammable objects close to the engine.
3. People who are not operating the device must stay away from the area of operation due to a possibility of burns from hot engine components or injury from any equipment the engine may be used to operate.
4. Know how to stop the engine quickly, and understand the operation of all controls. Never permit anyone to operate the engine without proper instructions.
5. Gasoline is extremely flammable and is explosive under certain conditions.
6. Refuel in a well-ventilated area with the engine stopped. Do not smoke or allow flames or sparks in the refueling area or where gasoline is stored.
7. Do not overfill the fuel tank. After refueling, make sure the tank cap is closed properly and securely.
8. Be careful not to spill fuel when refueling. Fuel vapor or spilled fuel may ignite. If any fuel is spilled, make sure the area is dry before starting the engine.
9. Never run the engine in an enclosed or confined area. Exhaust contains poisonous carbon monoxide gas; exposure may cause loss of consciousness and may lead to death.
10. The muffler becomes very hot during operation and remains hot for a while after stopping the engine. Be careful not to touch the muffler while it is hot. To avoid severe burns or fire hazards, let the engine cool before transporting it or storing it indoors.
11. Never ship/transport sprayer with gasoline in the tank.



DO NOT use this equipment to spray water or acid.



Attention

Do not lift by cart handle when loading or unloading.

Device is very heavy. Three-person lift is required.

1.3 Fueling (gas engine)



Gasoline is extremely flammable and is explosive under certain conditions.

Fuel Specifications

- Use automotive gasoline that has a pump octane number of 86 or higher, or that has a research octane number of 91 or higher. Use of a lower octane gasoline can cause persistent “pinging” or heavy “spark knock” (a metallic rapping noise) which, if severe, can lead to engine damage.



If “spark knock” or “pinging” occurs at a steady engine speed under normal load, change brands of gasoline. If spark knock or pinging persists, consult an authorized dealer of the engine manufacturer. Failure to do so is considered misuse, and damage caused by misuse is not covered by the engine manufacturer’s limited warranty. Occasionally you may experience light spark knock while operating under heavy loads. This is no cause for concern, it simply means your engine is operating efficiently.

- Unleaded fuel produces fewer engine and spark plug deposits and extends the life of the exhaust system components.
- Never use stale or contaminated gasoline or an oil/gasoline mixture. Avoid getting dirt, dust, or water in the fuel tank.

Gasolines Containing Alcohol

If you decide to use a gasoline containing alcohol (gasohol), be sure its octane rating is at least as high as that recommended by the engine manufacturer. There are two types of “gasohol”: one containing ethanol, and the other containing methanol. Do not use gasohol that contains more than 10% ethanol. Do not use gasoline containing methanol (methyl or wood alcohol) that does not also contain co-solvents and corrosion inhibitors for methanol. Never use gasoline containing more than 5% methanol, even if it has co-solvents and corrosion inhibitors.



Fuel system damage or engine performance problems resulting from the use of fuels that contain alcohol is not covered under the warranty. The engine manufacturer cannot endorse the use of fuels containing methanol since evidence of their suitability is incomplete at this time.

Before buying gasoline from an unfamiliar station, try to find out if the gasoline contains alcohol. If it does, confirm the type and percentage of alcohol used. If you notice any undesirable operating characteristics while using a gasoline that contains alcohol, or one that you think contains alcohol, switch to a gasoline that you know does not contain alcohol.

2. General view of application

2.1 Application

This airless line striper is a precision power tool used to spray many types of material for many types of applications including parking lots, curbs, and athletic fields. Read and follow this instruction manual carefully for proper operating instructions, maintenance, and safety information.

2.2 Coating materials

Processible coating materials



Pay attention to the Airless quality of the coating materials to be processed.

Latex paint, dispersion paints, fire protection and thick film materials, zinc dust and micaceous iron ore paints, Airless spray primer, sprayable glue, anti-corrosive agents, thick coating materials and bitumen-like coating materials.

No other materials should be used for spraying without Titan's approval.

Filtering

In spite of the high-pressure filter, filtering of the coating material is recommended in general.

Mix coating material before commencement of work.



Make sure when stirring with motor-driven agitators that no air bubbles are stirred in. Air bubbles disturb when spraying and can, in fact, lead to interruption of operation.

Viscosity

It is possible to work with high-viscosity coating materials with the devices.

If highly viscous coating materials cannot be sucked up, they must be diluted in accordance with the manufacturer's instruction.

Two-component coating material

The appropriate processing time must be adhered to exactly. A minimum of 45 minute set time is recommended. Within this time rinse through and clean the unit meticulously with the appropriate cleaning agents.

Coating materials with sharp-edged additional materials

These have a strong wear and tear effect on valves, high-pressure hose, spray gun and tip. The durability of these parts can be reduced appreciably through this.

3. Description of unit

3.1 Airless process

The main area of application are thick layers of highly viscous coating material for large areas and a high consumption of material.

A piston pump takes in the coating material by suction and conveys it to the tip. Pressed through the tip at a pressure of up to a maximum of 207 bar (20.7 MPa), the coating material is atomized. This high pressure has the effect of micro fine atomisation of the coating material.

As no air is used in this process, it is described as an AIRLESS process.

This method of spraying has the advantages of finest atomisation, cloudless operation and a smooth, bubble-free surface. As well as these, the advantages of the speed of work and convenience must be mentioned.

3.2 Functioning of the unit

The following section contains a brief description of the technical construction for better understanding of the function.

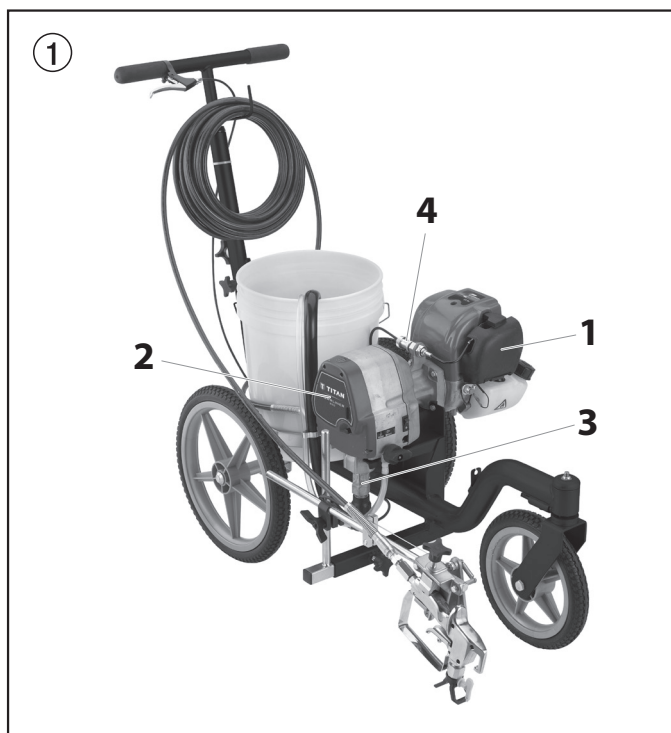
The PowrLiner 850 (PL) is a high-pressure spraying unit driven by a gasoline engine.

The gasoline engine (fig. 1, item 1) drives the pump assembly (2) which moves the piston up and down inside the fluid section (3).

The inlet valve is opened automatically by the upwards movement of the piston. The outlet valve is opened when the piston moves downward.

The coating material flows under high pressure through the high-pressure hose to the spray gun. When the coating material exits from the tip it atomizes.

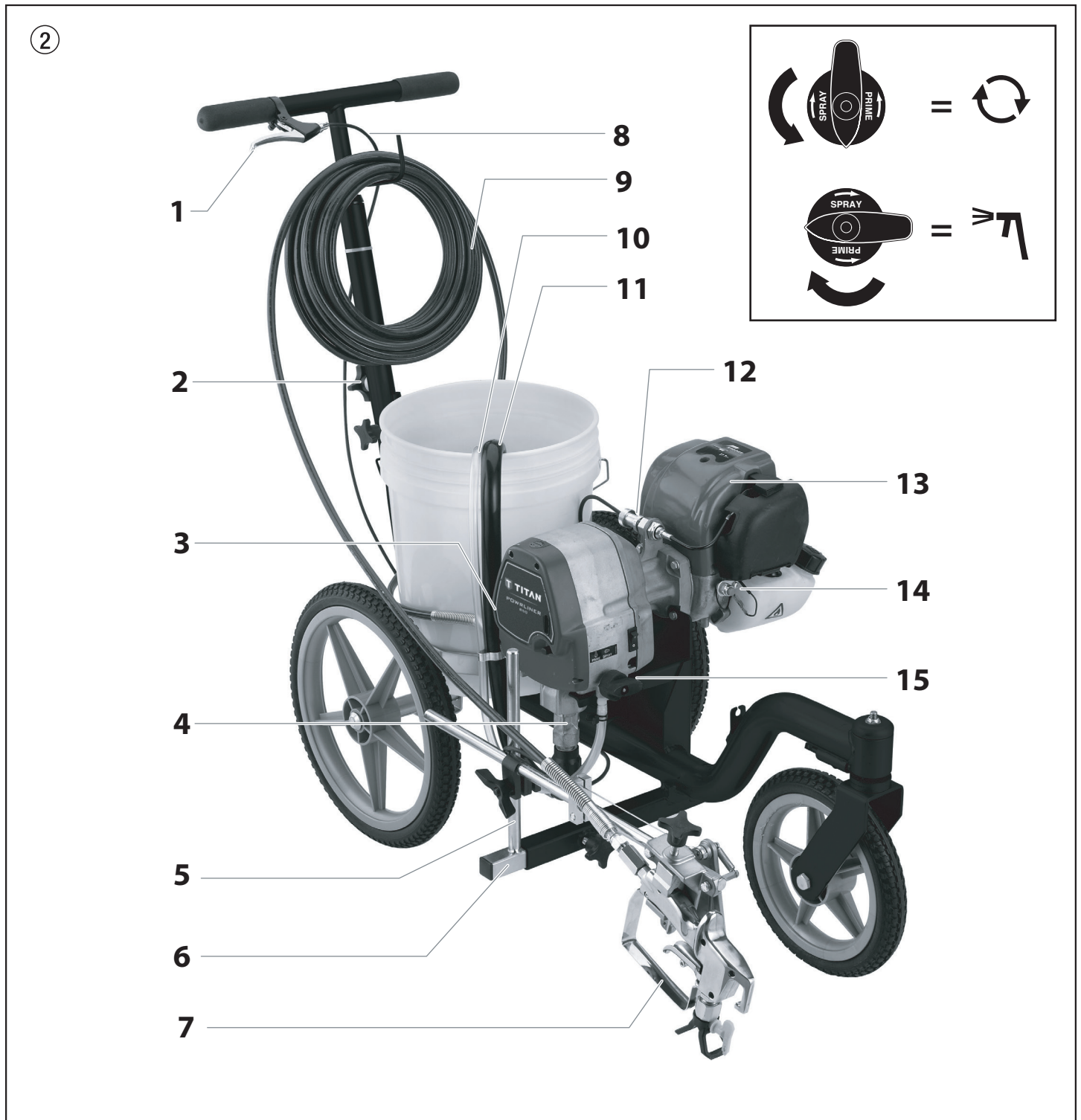
The DirectLink™ pressure control valve (4) controls the volume and the operating pressure of the coating material.



Description of unit

3.3 System diagram

- 1 Spray lever
- 2 Handle adjustment knob
- 3 High-pressure hose outlet
- 4 Sureflo™ valve
- 5 Gun riser
- 6 Gun support bar
- 7 High-pressure spray gun
- 8 Throttle / gun cable
- 9 Airless spray hose
- 10 Bleed hose
- 11 Suction tube
- 12 DirectLink™ pressure control knob
- 13 Gasoline engine
- 14 Engine shutoff switch
- 15 Relief valve handle:
Turn left for circulation ↻
Turn right for spray ➤



3.4 Technical data

		PL850
Gasoline engine, power		37.7cc, 4-stroke gas engine
Fuel Capacity		0,65 L
Max. operating pressure		20,7 MPa (207 bar)
Max. sound pressure level		92 dB*
Max. size of tip with a spray gun		
	Traffic marking	0,019" – 0,48 mm
	Field marking	0,023" – 0,58 mm
Max. volume flow		1,25 l/min
Weight		29,5 kg
Max. viscosity		20.000 mPa·s
Dimensions L x W x H		104 cm x 53,3 cm x 81,3 cm
Altitude		This equipment will operate correctly up to 2000 m above mean sea level
Max. temperature of the coating material		43° C
Max. tire pressure		0,2 MPa (2 bar)
Special high-pressure hose		DN 6 mm, 15 m (50' x 1/4"), connection thread NPSM 1/4

* Place of measurement: 1 m distance from unit and 1.60 m above reverberant floor, 120 bar (12 MPa) operating pressure.

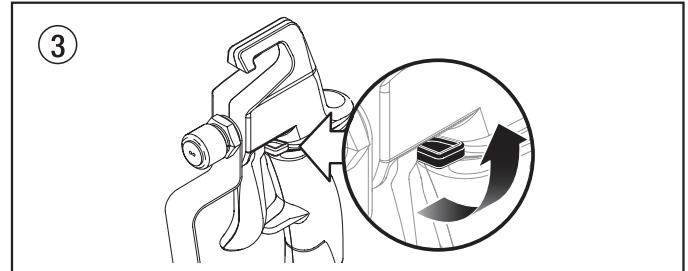
3.5 Operator controls

The following section describes the operator controls on the spray gun and line striper.

Spray Gun Trigger Lock

Engage the trigger lock whenever the gun is not in use.

The gun is locked when the trigger lock is at a 90° angle (perpendicular to the trigger in either direction).



If necessary, loosen the gun holder clamp knob and then engage the spray gun trigger lock. Move the spray gun to its original position and tighten the clamp knob.

Spray Lever

The spray lever is located on the cart handle. The spray lever controls the trigger on the spray gun.

Fully pulling the spray lever triggers the spray gun. While striping, the spray lever should be fully pulled for proper operation.



The sprayer is equipped with an automatic safety shut-off switch to prevent the sprayer from over-pressurizing. When the relief valve is in the SPRAY () position, pulling and holding the spray lever half way without triggering the spray gun will engage the safety shut-off switch. Refer to the Maintenance section if the safety shut-off switch engages.

Relief Valve

The relief valve (fig. 5, item 1) directs material to the material bleed hose when set to PRIME (☉) or to high pressure spray hose when set to SPRAY (☼).

The arrows on the relief valve knob shows the rotation directions for PRIME (☉) and SPRAY (☼).

Shutoff Switch

The engine shutoff switch (fig. 5, item 2) will shut the engine off when it is running.

Press and hold the shutoff switch in order to shut the engine off.

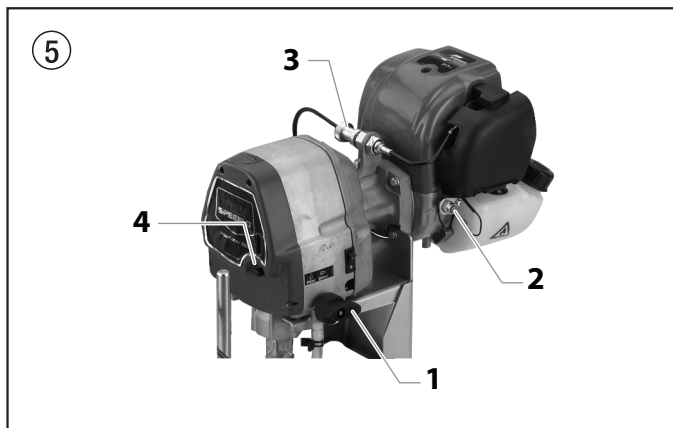
DirectLink™

Spraying pressure is determined by the motor throttle.

The throttle is regulated by adjusting the DirectLink™ pressure control knob (fig. 5, item 3). The higher the throttle, the higher the spraying pressure.

AutoOiler™

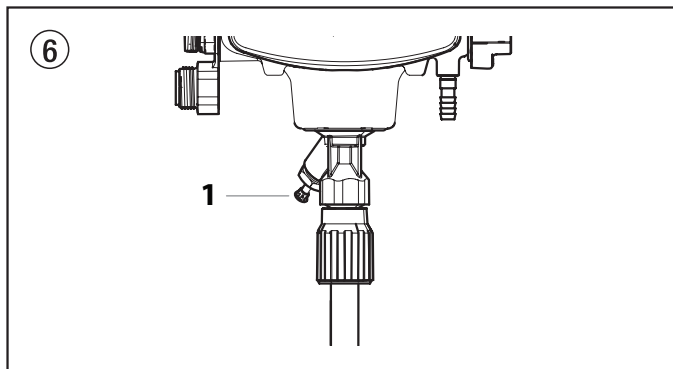
The AutoOiler (fig. 5, item 4) is designed to provide lubrication to the fluid section of the pump. After initial setup, press the AutoOiler button 2-3 times before each use.



Sureflo™ Valve

The Sureflo™ Valve (fig. 6, item 1) is designed to keep the inlet valve open and from sticking to dried materials.

The Sureflo Valve is activated manually by the user.



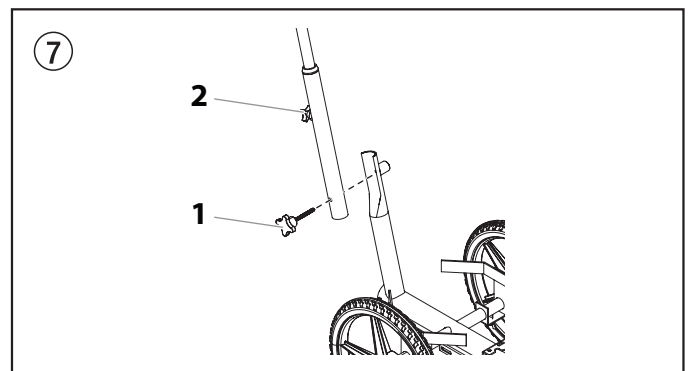
4. Operation



This equipment produces a fluid stream at extremely high pressure. Read and understand the warnings in the Safety Precautions section at the front of this manual before operating this equipment.

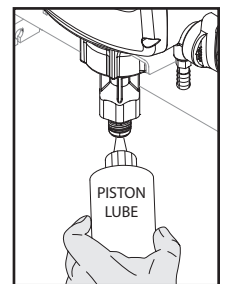
4.1 Setup

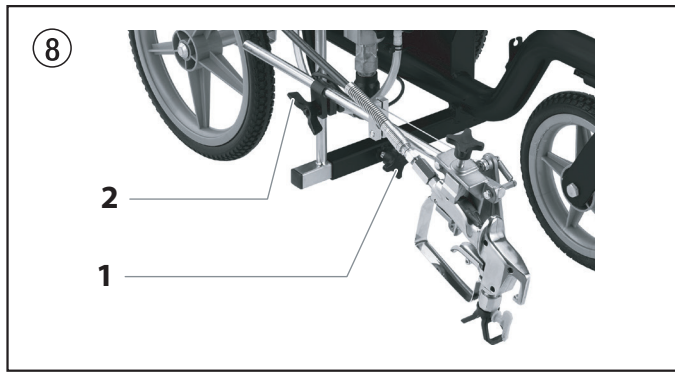
1. Attach the handle to the cart (fig. 7).
 - a. Line up the hole in the bottom of the handle with the support weldment on the cart.
 - b. Thread the bolt through the hole in the handle and the weldment. Tighten by turning the knob of the bolt clockwise (1).
 - c. Position the handle at the desired height. Loosen the knob on the rear of the support weldment (2) in order to loosen the handle.
 - d. Pull the handle up or down to the desired height. Tighten the handle knob in order to secure the handle.



The spray gun and cables are mounted to the gun support bar at the factory. Do not attach the tip to the spray gun yet. Remove the tip if it is already attached.

2. Insert the bottle of Piston Lube™ up into the Sureflo™ valve. Squirt Piston Lube™ into the Sureflo™ valve.
3. Make sure that the siphon tube and the bleed hose are attached and secure.
4. Using a wrench, thread the airless spray hose to the outlet fitting on the sprayer. Tighten securely.
5. Attach an airless spray gun to the spray hose. Using two wrenches (one on the gun and one on the hose), tighten securely.
6. Position the spray gun (fig 8).
 - a. Loosen the support bar knob (1) and slide the gun support bar to the desired horizontal position. Make sure the gun is far enough from the cart so that the rear wheel does not track over the fresh spray pattern.
 - b. Loosen the gun riser clamp (2) and slide the spray gun to the desired vertical position. A distance of 6" from the tip to the spray surface is a good starting point.





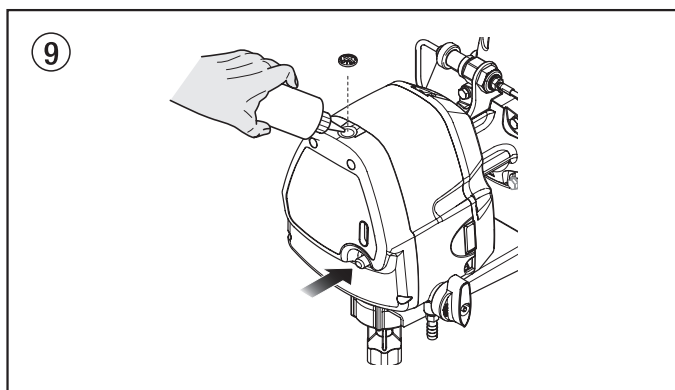
The height of the spray gun affects the width of the spray pattern (i.e., the lower the gun, the smaller the line width). Tip size also affects line width.

6. Make sure the gun cable is operating properly. When pulling the spray lever on the cart handle, the gun cable should be pulling the trigger. This cable is factory-set to operate properly.
If adjustment to the gun trigger tension is required, refer to the "Adjusting the Trigger Tension" procedure in the Maintenance section of this manual.
7. Turn the relief valve knob to the PRIME (☉) position.



Never operate unit for more than ten seconds without fluid. Operating this unit without fluid will cause unnecessary wear to the packings.

9. Remove AutoOiler cap with a flat blade screwdriver. Squirt Piston Lube™ into the AutoOiler. Replace cap. Push AutoOiler button 2-5 times to lubricate the fluid section.



10. Check the engine oil level. The gasoline engine oil level is determined by the manufacturer. Refer to the engine manufacturer's service manual (supplied).
11. Fill the gas tank on the engine with unleaded gasoline only. Do not mix the gasoline with 2-cycle oil.

4.2 Preparing to paint

Before painting, it is important to make sure that the fluid in the system is compatible with the paint that is going to be used.



If this unit is new, it is shipped with test fluid in the fluid section to prevent corrosion during shipment and storage. This fluid must be thoroughly cleaned out of the system with mineral spirits before you begin spraying.



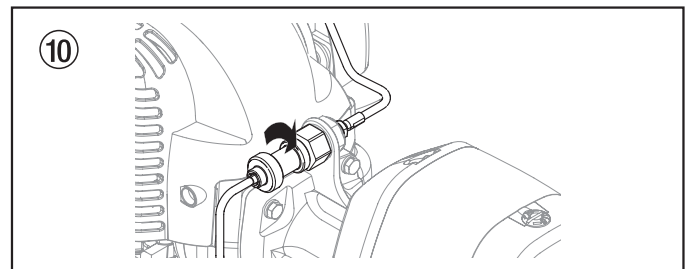
Incompatible fluids and paint may cause the valves to become stuck closed, which would require disassembly and cleaning of the sprayer's fluid section.



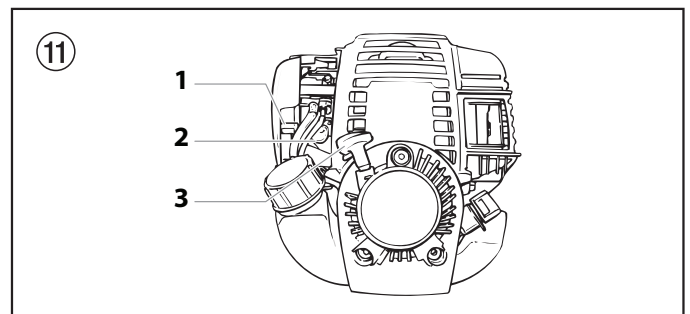
Attention

Always keep the trigger lock on the spray gun in the locked position while preparing the system. If necessary, loosen the gun holder clamp knob and then engage the spray gun trigger lock.

1. Place the siphon tube into a container of the appropriate solvent for the material being sprayed (refer to recommendations of the material manufacturer). An example of the appropriate solvent is water for latex paint.
2. Place the bleed hose into a metal waste container.
3. Turn the relief valve knob to the PRIME (☉) position.
4. Fully depress the pusher stem to make sure the inlet ball is free.
5. Turn the DirectLink pressure control knob fully clockwise to minimum.



6. Start the engine (fig. 11):
 - a. Move the choke lever (1) up to the full choke position.
 - b. Push the rubber prime button (2) 7-10 times.
 - c. Pull the starter rope (3) rapidly and firmly. Continue to hold the rope as you let it return. Pull and return the rope until the engine starts.
 - d. Once the engine is running, slowly move the choke lever (1) down to the closed position





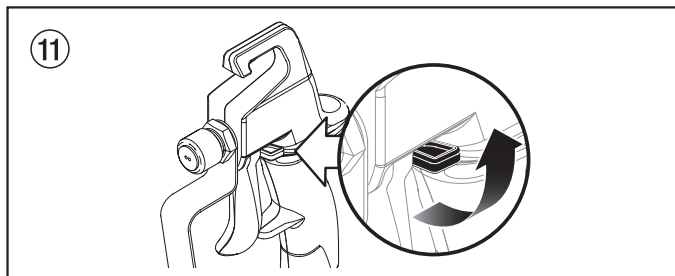
If you are having trouble starting the motor, rotate the DirectLink pressure control knob 1-2 turns counter-clockwise.

7. Slowly turn the DirectLink pressure control knob counterclockwise to increase the pressure until fluid starts to come out of the return hose. Use only enough pressure to keep the fluid coming out.
8. Allow the sprayer to run for 15–30 seconds to flush the test fluid out through the return hose and into the waste container.
9. Turn the DirectLink pressure control knob fully clockwise to minimum.
10. Turn off the sprayer by pressing and holding the engine shutoff switch until the motor shuts off.



Make sure that the spray gun does not have a tip or tip guard installed.

11. Place a metal waste container underneath the spray gun to catch the solvent.
12. Start the engine.
13. Turn the relief valve knob to the SPRAY (☞) position.
14. Turn the DirectLink pressure control knob slowly counterclockwise to increase the pressure.
15. Unlock the gun by turning the gun trigger lock to the unlocked position.
16. Fully pull the spray lever on the cart handle. Fluid will begin flowing through the spray hose and out of the gun.
17. Continue to pull the spray lever on the cart handle until the old solvent/test fluid is gone and fresh solvent is coming out of the gun.
18. Release the spray lever.
19. Lock the gun by turning the gun trigger lock to the locked position. If necessary, loosen the gun holder clamp knob and then engage the spray gun trigger lock. Move the spray gun to its original position and tighten the clamp knob.



20. Check the entire system for leaks. If leaks occur, turn the sprayer off and follow the “Pressure Relief Procedure” in this manual before tightening any fittings or hoses.
21. Follow the “Pressure Relief Procedure” (section 4.5) in this manual before changing from solvent to paint.



Be sure to follow the Pressure Relief Procedure when shutting the unit down for any purpose, including servicing or adjusting any part of the spray system, changing or cleaning spray tips, or preparing for cleanup.

4.3 Painting

1. Place a five gallon bucket of material between the bucket holders on the cart. Make sure the bucket holders hold the five gallon bucket securely. Adjust the bucket holders using the thumb screw located underneath each holder, if necessary.



When using this line striper for first time, it may be helpful to use water in place of paint to gain familiarity with the operation of the line striper. After changing from water to paint, test spray several lines on cardboard, roofing felt, or rosin paper before striping to ensure correct line width.

2. Place the siphon hose into a container of paint.
3. Place the bleed hose into a metal waste container.
4. Turn the relief valve knob to the PRIME (☞) position.
5. Fully depress the pusher stem to make sure the inlet ball is free.
6. Turn the DirectLink pressure control knob fully clockwise to minimum.
7. Start the engine:
 - a. Move the choke lever (1) up to the full choke position.
 - b. Push the rubber prime button (2) 7-10 times.
 - c. Pull the starter rope (3) rapidly and firmly. Continue to hold the rope as you let it return. Pull and return the rope until the engine starts.
 - d. Once the engine is running, slowly move the choke lever (1) down to the closed position
8. Slowly turn the DirectLink pressure control knob counterclockwise to increase the pressure until fluid starts to come out of the return hose. Use only enough pressure to keep the fluid coming out.
9. Allow the sprayer to run for 15–30 seconds to flush the test fluid out through the return hose and into the waste container.
10. Turn the DirectLink pressure control knob fully clockwise to minimum.
11. Turn off the sprayer by pressing and holding the engine shutoff switch until the motor shuts off.
12. Remove the bleed hose from the waste container and place it into the container of paint.
13. Start the engine.
14. Turn the relief valve knob to the SPRAY (☞) position.
15. Unlock the gun by turning the gun trigger lock to the unlocked position.
16. Turn the DirectLink pressure control knob slowly counterclockwise to increase the pressure.
17. Fully pull the spray lever on the cart handle. Fluid will begin flowing through the spray hose and out of the gun.
18. Continue to pull the spray lever on the cart handle until material is coming out of the gun.
19. Release the spray lever.
20. Lock the gun by turning the gun trigger lock to the locked position. If necessary, loosen the gun holder clamp knob and then engage the spray gun trigger lock. Move the spray gun to its original position and tighten the clamp knob.
21. Turn the DirectLink pressure control knob fully clockwise to minimum.

22. Turn the relief valve knob to the PRIME (☉) position.
23. Turn off the sprayer by pressing and holding the engine shutoff switch until the motor shuts off.
24. Attach tip guard and tip to the spray gun. Refer to the instructions in section 4.4.



POSSIBLE INJECTION HAZARD. Do not spray without the tip guard in place. Never trigger the gun unless the tip is in either the spray or the unclog position. Always engage the gun trigger lock before removing, replacing or cleaning tip.

25. Start the engine.
26. Turn the relief valve knob to the SPRAY (☉) position.
27. Fully pull the spray lever on the cart handle to trigger the spray gun. Test the spray pattern and line position on a long piece of roofing felt or cardboard. Check for proper line width and position. If adjustment to the position of the spray gun is required, refer to the "Setup" procedure earlier in this section.
28. Make sure that the spray gun shuts off completely when the gun trigger is released. If adjustment to the trigger tension is required, refer to the "Adjusting the Trigger Tension" procedure in the Maintenance section of this manual.
29. Begin striping.
 - a. Position the line striper slightly in front of the striping path.
 - b. Start walking with the line striper and trigger the gun at the beginning of the striping path.
 - c. At the end of striping path, release the trigger and continue walking a short distance, if possible.

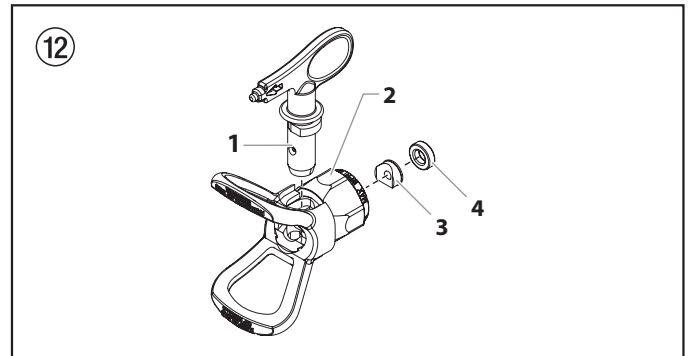


Triggering the gun after the line striper is moving and releasing the trigger before the line striper stops produces an evenly painted line from start to finish. If the striping path ends at an obstacle, release the trigger at the same moment that the line striper stops moving.

4.4 Attaching the tip guard and tip

Use the following procedure to install the tip guard and tip to the spray gun.

1. Perform the "Pressure Relief Procedure" described in this manual (section 4.5).
2. Using a pen or similar object, insert the tip seal (3) and seal (4) into the back of the tip guard (2). Press in for final adjustment.
3. Insert the tip (1) into the slot on the tip guard.



4. Thread the tip guard onto the gun. Position the tip guard in the desired spraying position, then tighten securely.



The arrow on the tip handle should be pointing in the forward direction for spraying.

4.5 Pressure Relief Procedure



Be sure to follow the Pressure Relief Procedure when shutting the unit down for any purpose, including servicing or adjusting any part of the spray system, changing or cleaning spray nozzles, or preparing for cleanup.

1. Lock the gun by turning the gun trigger lock to the locked position. If necessary, loosen the gun holder clamp knob and then engage the spray gun trigger lock. Move the spray gun to its original position and tighten the clamp knob.
2. Turn the DirectLink pressure control knob fully clockwise to minimum.
3. Turn the relief valve knob to the PRIME (☉) position.
4. Turn off the sprayer by pressing and holding the engine shutoff switch until the motor shuts off.
5. Unlock the gun by turning the gun trigger lock to the unlocked position.
6. Fully pull the spray lever on the cart handle to trigger the spray gun and release any remaining pressure in the hose.
7. Lock the gun by turning the gun trigger lock to the locked position. If necessary, loosen the gun holder clamp knob and then engage the spray gun trigger lock. Move the spray gun to its original position and tighten the clamp knob.

4.6 Clearing a clogged tip

If the spray pattern becomes distorted or stops completely while the trigger is pulled, follow these steps.

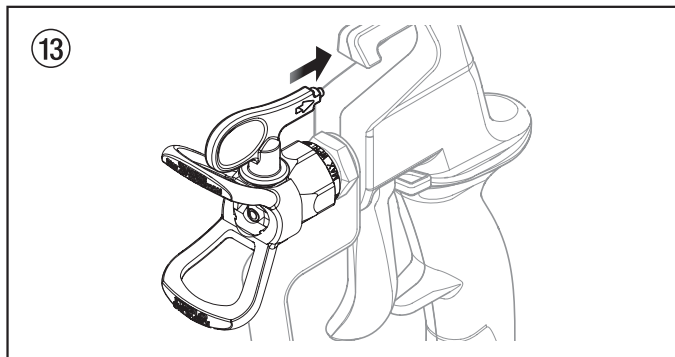


DO NOT continue to pull the spray lever if the spray tip is clogged. Continued pull on the lever with a clogged tip will over-pressurize the unit, causing it to shut down.



Do not attempt to remove the spray gun from the gun holder to clean the tip.

1. Place a sheet of cardboard or small bucket under the spray gun to catch the paint.
2. Rotate the tip 180° so that the arrow on the tip handle is pointing opposite the spray direction.



If the tip is difficult to rotate, relieve pressure by 1) slowly turning the relief valve knob to PRIME (☉), 2) unlock the spray gun, and 3) squeeze the spray lever. Release the lever, lock the spray gun, and try rotating the spray tip again.

3. Make sure the relief valve knob is turned to the SPRAY (☉) position. Unlock the spray gun.
4. Trigger the gun once so that the pressure can blow the clog out.



Never pull the trigger more than once at a time with the tip in the reverse position.

5. Continue this procedure until the tip is clear of the clog.



Do not attempt to clean the tip with your finger.



Do not use a needle or other sharp pointed instrument to clean the tip. The hard tungsten carbide is brittle and can be chipped.

4.7 Changing a spray tip

Tips can be removed and replaced easily without disassembling the gun.

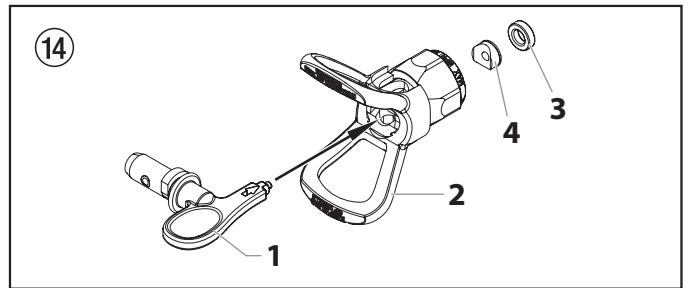


Never attempt to change or clean the tip or tip guard without first performing the "Pressure Relief Procedure."

1. Perform the "Pressure Relief Procedure" described in the sprayer's Owner's Manual.
2. Remove the tip (fig. 14, item 1) from the slot on the tip guard (2).
3. Insert the new tip into the slot on the tip guard. The arrow on the tip handle should be pointing in the forward direction for spraying.

Removing the seal and tip seal

1. Remove the tip from the tip guard.
2. Insert the tip handle through the front of the tip guard.
3. Push the seal (3) and tip seal (4) out through the back of the tip guard.



Identifying Tip Sizes

To identify tip sizes, use the following formula. A "417" tip size will be used in this example.

The first digit represents the size of the spray pattern when spraying 6" away from the work surface:

$$4 = 4" \text{ spray pattern}$$

The second two digits represent the diameter of the orifice on the tip:

$$17 = .017" \text{ orifice}$$



Worn spray tips will adversely affect the spray pattern and result in reduced production, poor finish, and wasted material. Replace worn tips immediately.

4.8 Stenciling

To stencil with this line striper, make multiple spraying passes from right to left over the stencil with the spray gun connected to the gun holder. Or, the spray gun can be removed and used independently from the striper.

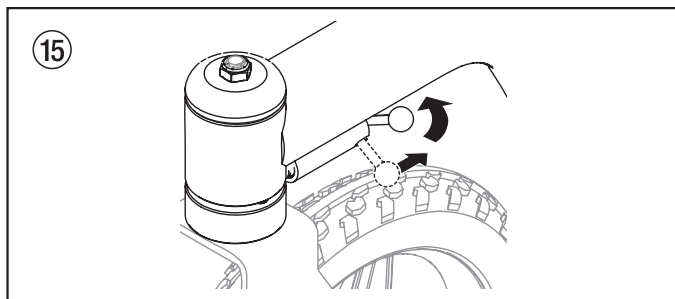
To remove the spray gun:

1. Perform the Pressure Relief Procedure in the Operation section of this manual.
2. Loosen the gun holder block knob on top of the gun holder.
3. Slide the spray gun out of the gun holder.

4.9 Operating the Front Caster

The front caster on the cart is designed to track the sprayer in either a straight line or allow free-wheel striping. To adjust the front caster:

1. Pull the handle on the side of the caster up and back to release the wheel for free-wheel striping.
2. To lock the wheel back into place, pull the handle down. Once the front wheel is turned straight again, the wheel will lock back into place.



5. Cleanup



Attention

The sprayer, hose, and gun should be cleaned thoroughly after daily use. Failure to do so permits material to build up, seriously affecting the performance of the unit.



Always spray at minimum pressure with the gun nozzle tip removed when using mineral spirits or any other solvent to clean the sprayer, hose, or gun. Static electricity buildup may result in a fire or explosion in the presence of flammable vapors.

5.1 Special cleanup instructions for use with flammable solvents

- Always flush spray gun preferably outside and at least one hose length from spray pump.
- If collecting flushed solvents in a one gallon metal container, place it into an empty five gallon container, then flush solvents.
- Area must be free of flammable vapors.
- Follow all cleanup instructions.

5.2 Cleaning the sprayer

1. Follow the "Pressure Relief Procedure" found in the Operation section of this manual, section 4.5.
2. Remove the gun tip and tip guard and clean with a brush using the appropriate solvent.
3. Place the siphon tube into a container of the appropriate solvent (refer to recommendations of the material manufacturer). An example of the appropriate solvent is water for latex paint.
4. Place the return hose into a metal waste container.
5. Turn the relief valve knob to the PRIME (☉) position.
6. Start the engine.
7. Slowly turn the DirectLink pressure control knob counterclockwise to increase the pressure until fluid starts to come out of the return hose. Use only enough pressure to keep the fluid coming out.
8. Allow the fluid to circulate through the sprayer and flush the paint out of the return hose into the metal waste container.
9. Turn off the sprayer by pressing and holding the engine shutoff switch until the motor shuts off.
10. Place a metal waste container underneath the spray gun to catch the paint and solvent.
11. Start the engine.
12. Turn the relief valve knob to the SPRAY (☼) position.
13. Turn the DirectLink pressure control knob slowly counterclockwise to increase the pressure.
14. Fully pull the spray lever on the cart handle to trigger the spray gun. Fluid will begin flowing through the spray hose and out of the gun.
15. Continue to pull the spray lever on the cart handle until the material is flushed out of the hose and the solvent coming out of the gun is clean.
16. Release the spray lever.



For long-term, cold weather storage, or any freezing temperature exposure pump mineral spirits through the entire system.

For short-term storage not exposed to freezing temperatures when using latex paint, pump water mixed with Titan Liquid Shield through the entire system (see Accessories section of this manual for part number and product label for dilution instructions).

17. Follow the "Pressure Relief Procedure" found in the Operation section of this manual.
18. Store the sprayer in a clean, dry area.



Attention

Do not store the unit under pressure.



Attention

Do not put the high-pressure hose into solvents. Use only a wet cloth to wipe down the outside of the hose.

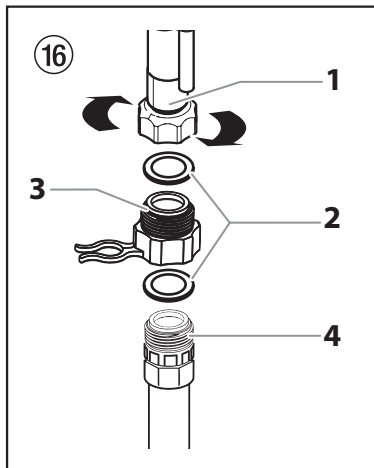
5.3 Special cleanup



Perform the following procedure after spraying with water-based materials only.

Perform the following procedure when the valves of the sprayer are stuck or when preparing the sprayer for long term storage. The use of a pump cleaning adapter that attaches to the bottom of the siphon tube is required (the pump cleaning adapter is included with the sprayer).

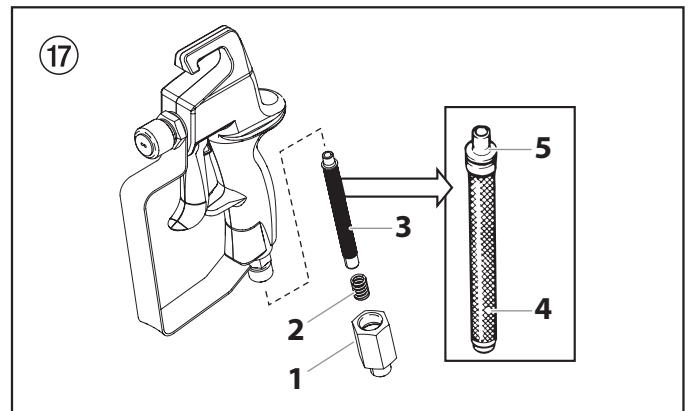
1. Lock the gun and remove the spray tip assembly. If necessary, loosen the gun holder clamp knob and then engage the spray gun trigger lock. Move the spray gun to its original position and tighten the clamp knob. Place the suction tube and return hose into an empty waste container.
2. Using a garden hose, rinse off the siphon tube (1), return hose and inlet filter. Empty the waste container.
3. Remove the inlet filter from the suction tube and place into a waste container.
4. Verify that the seals (2) are present inside the adapter (3) and siphon tube. Thread the pump cleaning adapter onto a garden hose (4). Connect the hose and adapter to the fitting on the end of the siphon tube.
5. Unclip the return hose from the siphon tube and place it into the waste container.
6. Turn the relief valve knob to the PRIME (☉) position.
7. Turn on the water supply.
8. Start the engine. Water will go into the siphon tube and out through the return hose. Let the sprayer run for a few minutes to allow the return hose to be flushed.
9. Turn off the sprayer by pressing and holding the engine shutoff switch until the motor shuts off.
10. Place a metal waste container underneath the spray gun to catch the cleaning solution.
11. Start the engine.
12. Turn the relief valve knob to the SPRAY (☼) position.
13. Turn the DirectLink pressure control knob slowly counterclockwise to increase the pressure.
14. Fully pull the spray lever on the cart handle to trigger the spray gun. Fluid will begin flowing through the spray hose and out of the gun.
15. Continue to pull the spray lever on the cart handle until the material is flushed out of the hose and the water coming out of the gun is clean.
16. Release the spray lever.
17. Follow the "Pressure Relief Procedure" found in the Operation section of this manual.



5.4 Cleaning / replacing the gun filter

The gun filter must be cleaned after every use of the sprayer. When using thicker spray materials, the filter might need to be cleaned more often.

1. Perform Pressure Relief Procedure in the Operation section of this manual.
2. Unscrew the fitting (1) from the bottom of the spray gun using an adjustable wrench, making sure not to lose the spring (2).
3. Remove the filter (3) from the spray gun housing and clean with the appropriate cleaning solution (warm, soapy water for latex paints, mineral spirits for oil-based materials).
4. Inspect the filter for holes (4). Replace if holes are found.



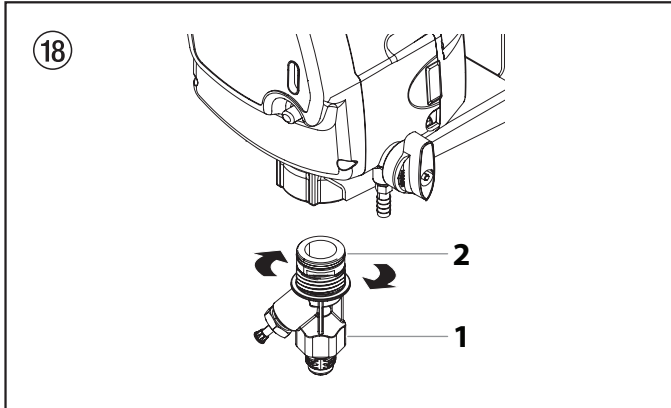
Never poke the filter with a sharp instrument!

5. Replace the cleaned filter, tapered end first (5), into the gun housing. The tapered end of the filter must be loaded properly into the gun. Improper assembly will result in a plugged tip or no flow from the gun.
6. Reassemble the spray gun.

5.5 Cleaning the Sureflo™ Valve Assembly

Cleaning or servicing the Sureflo Valve may be required if the unit has priming problems.

1. Remove the siphon tube.
2. Unscrew the inlet valve assembly from the sprayer. Visually inspect the inside and outside of the Sureflo Valve assembly (1). Clean any paint residue with the appropriate cleaning solution.
3. Lubricate the o-ring (2) on the Sureflo Valve with petroleum jelly. Replace Sureflo valve assembly by threading it into the sprayer. Torque to 32–38 ft./lbs.
4. Replace the siphon tube and tighten securely.



If priming problems continue, you may need to replace the Sureflo valve. Contact Technical Service to order a new Sureflo Valve assembly.

6. Maintenance



Before proceeding, follow the Pressure Relief Procedure outlined previously in this manual. Additionally, follow all other warnings to reduce the risk of an injection injury, injury from moving parts or electric shock.

6.1 Adjusting the trigger tension

Use the following procedure to adjust the spring tension of the trigger lever on the gun holder assembly. The trigger lever pulls and releases the spray gun trigger when operated from the spray lever on the cart. The proper tension ensures that the gun will shut off when the gun trigger is released.



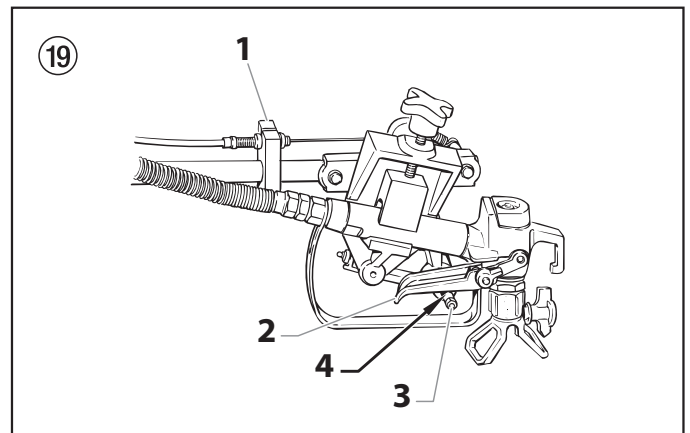
Attention

Always keep the trigger lock on the spray gun in the locked position while making adjustments to the system. If necessary, loosen the gun holder clamp knob and then engage the spray gun trigger lock. Move the spray gun to its original position and tighten the clamp knob.



Before proceeding, follow the Pressure Relief Procedure outlined previously in this manual.

1. Using a 9/16" (14 mm) hex wrench, loosen the hex screw on the cable block (1).
2. Move the cable block in the appropriate direction so there is a maximum of 1/32" (0.8 mm) of movement by the spray gun trigger (2) and trigger lever (3) before the spray gun opens.
 - a. If the trigger lever is pushing on the trigger and opening the spray gun, slide the cable block toward the gun until the trigger settles into its normal position. Make sure the trigger lever is still flush (4) against the trigger.
 - b. If there is a gap between the trigger lever and the spray gun lever, slide the cable block away from the gun.



6.2 Maintaining the Engine



For detailed engine specifications and maintenance, refer to the separate engine manual supplied with this sprayer.

Routine Engine Maintenance

Daily

- Check and fill the gas tank.
- After the first 20 hours of operation, drain the oil and refill with clean oil. Check the engine oil level and fill as necessary.

Weekly

- Remove the cover of the air filter and clean the element. Replace the element if necessary. If operating in an unusually dusty environment, check the filter daily and replace if necessary. (Replacement elements can be purchased from your local Titan dealer.)
- After each 50 hours of operation: Change the engine oil.

6.3 Safety Shut-Off Switch

The safety shut-off switch is pre-set by the factory to shut down the sprayer to prevent over-pressurization. Do not attempt to adjust or tamper with the safety shut-off switch. Contact an authorized service center if this setting requires adjustment.



The safety shut-off switch should be set to shut down the sprayer between 3200 – 3300 PSI.

6.4 High-pressure hose

Inspect the high-pressure hose visually for any notches or bulges, in particular at the transition in the fittings. It must be possible to turn the union nuts freely.



The risk of damage rises with the age of the high-pressure hose. Titan recommends replacing high-pressure hoses after 6 years.

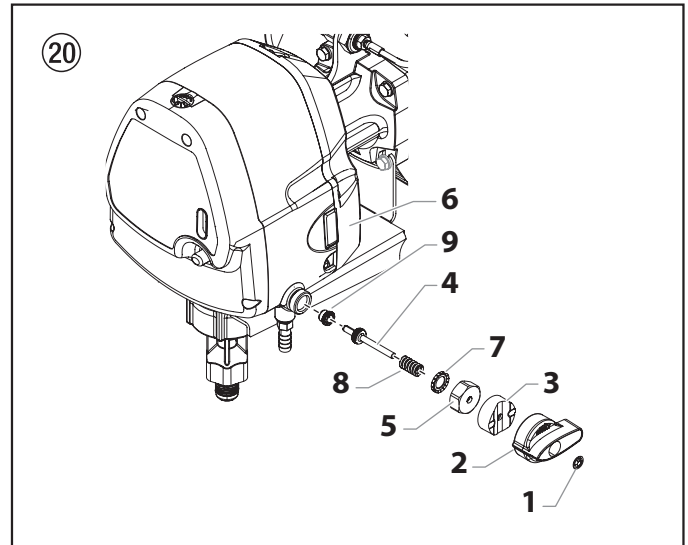
6.5 Replacing the relief valve

Perform the following procedure using relief valve replacement kit P/N 759-380.



Before proceeding, follow the Pressure Relief Procedure outlined previously in this manual. Additionally, follow all other warnings to reduce the risk of an injection injury, injury from moving parts, or electric shock.

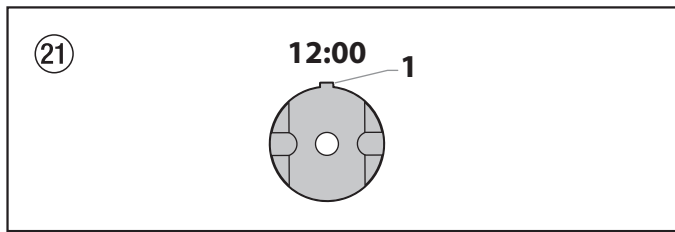
1. Pry off the retaining clip (1) from inside the recessed portion of the valve knob (2). Remove the valve knob.
2. Slide the cam (3) off of the stem/ball assembly (4).
3. Using a wrench, remove the hex nut (5) from the pump head (6).
4. Remove the star washer (7), spring (8), and stem/ball assembly (4) from the pump head.
5. Using a 7/32" (6 mm) hex wrench, remove the stem/ball assembly seat (9) from the pump head.



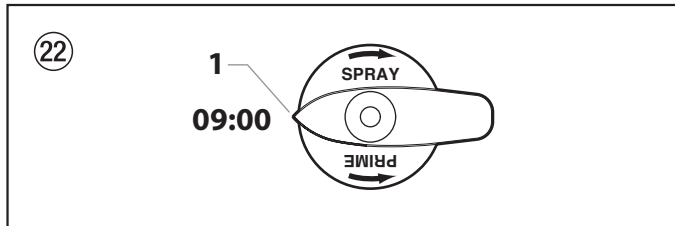
6. Tighten the new stem/ball assembly seat (9) into the pump head (6). Use a 7/32" (6 mm) hex wrench. Torque to 6-8 ft.-lbs.
7. Apply a light coating of hydraulic oil around the o-ring on the new stem/ball assembly.
8. Push the stem/ball assembly into the stem/ball assembly seat in the pump head.
9. Place the new spring and star washer around the stem/ball assembly.
10. Slide the new hex nut onto the stem of the stem/ball assembly, thread it onto the pump head, and tighten with a wrench. Torque the nut to 12-14 ft.-lbs.
11. Apply a light coating of grease to the top of the cam.
12. Slide the new cam onto the stem of the stem/ball assembly and over the hex nut. The design of the cam will allow the hex nut to fit inside the cam, causing the cam to lock in position.



Position the cam on the hex nut so that the tab (fig. 21, item 1) on the side of the cam is as close to the 12:00 position as possible.



13. Place the new PRIME/SPRAY valve knob over the cam with the pointer on the knob (fig. 22, item 1) as close to the 09:00 position as possible. Make sure the knob is pushed completely onto the cam (the knob should cover the cam completely).



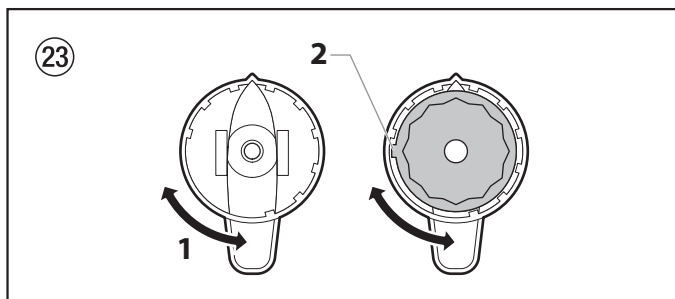
17. Turn the relief valve knob to the PRIME (☉) position.
18. Start up the sprayer and run water through the system to check for leaks. If there are no leaks, the sprayer is ready to use.



Figure 23 below shows the rear view of the relief valve knob. The knob is designed to allow 90° of movement between the SPRAY and PRIME positions.

The inside of the knob has a 90° opening (fig. 23, item 1) in its circumference where the tab of the cam (2) should be positioned to allow this movement.

When placing the knob with the arrow in the 09:00 position, make sure that the tab on the cam is within the 90° opening on the inside of the knob. Then, make sure the knob is at the end of its movement in the clockwise direction (this is the SPRAY position) before continuing with this procedure.



14. Slowly turn the knob counterclockwise until the bottom of the knob moves out to where it is flush with the bottom of the cam (approximately 5–7°).
15. Place the retaining clip over the stem of the stem/ball assembly where the stem passes through the recessed portion of the knob.
16. Using a 5/16" (8 mm) nut driver, push the clip into the recessed portion of the knob with steady, even pressure until it stops.



Do not hammer or wiggle the clip into position. It will damage the clip.

6.6 Servicing the Fluid Section

Use the following procedures to replace the seals and repack the fluid section.



Repacking kit P/N 759-365 is available. For best results use all parts supplied in this kit.

Disassembling the Fluid Section (fig. 25)



Before proceeding, follow the Pressure Relief Procedure outlined previously in this manual. Additionally, follow all other warnings to reduce the risk of an injection injury, injury from moving parts, or electric shock.

1. Remove the suction set.
2. Remove the front cover and the three screws that secure it using a T20 Torx head driver.
3. Remove the yoke screw (1) and washer (2) that secures the dowel pin (3). The dowel pin connects the yoke (4) to the piston (5).
4. Using a pliers, pull the dowel pin (3) out.
5. Rotate the pump shaft so the piston (5) is in the top dead center position. This can be done by pushing on the yoke (4). This is required to disassemble all the parts.
6. Unscrew and remove the Sureflo Valve (6) assembly (refer to the Cleaning the Sureflo Valve procedure in the Cleanup section of this manual).
7. Remove the piston assembly by pushing down on the piston near the yoke.



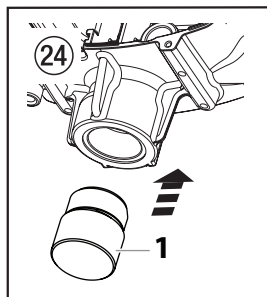
Attention

DO NOT attempt to remove the seals (5a) from the piston

8. Unscrew and remove the top nut (7) using an adjustable wrench.
9. Remove the worn seal (8) using a flat head screwdriver or punch. Remove the top seal from the top by pressing against the side of the seal and popping it out. Be sure not to scratch the housing where the seals are located.
10. Clean the area where the new seals are to be installed.

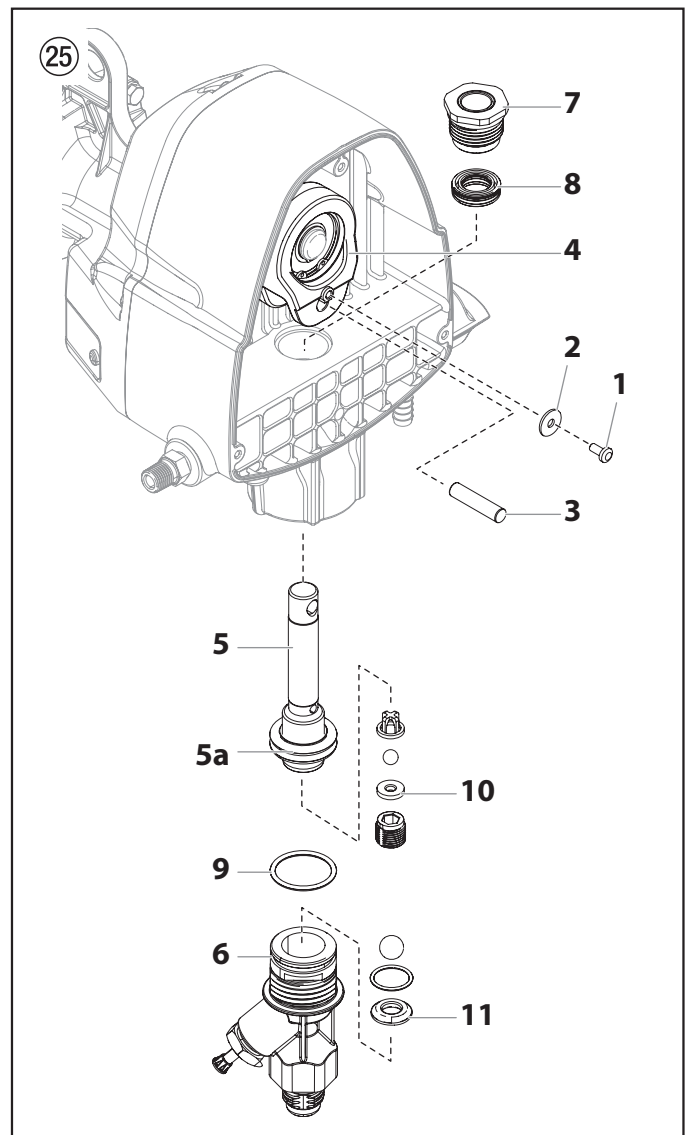
Assembling the Fluid Section

1. Lubricate the new top seal (8) with Piston Lube (P/N 314-480) or light household oil and place the seal by hand with the cup side of seal down into the top port of the housing.
2. Place a small amount of anti-seize on the threads of the top nut. Place the top nut into the top of the housing and tighten with an adjustable wrench. This will drive the top seal into the correct position.
3. Lubricate the seal on the piston/seal assembly similar to the top seal. Place the piston/seal assembly into the bottom of the housing. Insert the insertion tool (fig. 24, item 1) and push into position to properly seat the piston/seal. Remove the insertion tool.
4. Install the new O-ring (9) on the Sureflo Valve assembly,



lubricate with Piston Lube (P/N 314-480), thread into the bottom (inlet) of the housing, and tighten with an adjustable wrench. This will drive the bottom seal into the correct position.

5. Align the piston with the yoke. Be careful not to damage the piston.
6. Apply any type of non-silicone household grease to the piston and yoke area to prolong life. Apply to the holes in the yoke where the dowel is inserted.
7. Install the dowel pin to connect the yoke to the piston. The piston may have to be moved up or down to align with the yoke.
8. Install the yoke screw and washer to secure the dowel pin.
9. Turn pump right side up and apply a few drops of Piston Lube or light household oil between the top nut and piston. This will prolong the seal life.
10. Install front cover and three (3) screws.
11. Replace Sureflo Valve and install the suction set.
12. Turn on the sprayer by following the procedure in the "Operation" section of this manual and check for leaks.



7. Remedy in case of faults

Problem	Cause	Solution
A. The unit will not run.	<ol style="list-style-type: none"> 1. The pressure is set too low. 2. Faulty or loose wiring. 3. The gas tank is empty. 	<ol style="list-style-type: none"> 1. Turn the DirectLink pressure control knob slowly counterclockwise to increase the pressure. 2. Inspect or take to a Titan authorized service center. 3. Fill the gas tank.
B. The unit will not prime.	<ol style="list-style-type: none"> 1. The relief valve is in the SPRAY position. 2. Air leak in the siphon tube/siphon set. 3. The inlet screen is clogged. 4. The siphon tube/siphon set is clogged. 5. Sureflo valve is dry. 6. Inlet valve ball stuck. 	<ol style="list-style-type: none"> 1. Rotate the relief valve clockwise to the PRIME position. 2. Check the siphon tube/siphon set connection and tighten or replace if damaged. 3. Remove the inlet screen and clean. 4. Remove the siphon tube/siphon set and clean. 5. Squirt Piston Lube into Sureflo valve. 6. Depress pusher valve stem while engine is running.
C. The unit will not build or maintain pressure.	<ol style="list-style-type: none"> 1. The spray tip is worn. 2. The spray tip is too large. 3. The gun filter, or inlet screen is clogged. 4. Material flows from the return hose when the relief valve is in the SPRAY position. 5. Air leak in the siphon tube/siphon set. 6. There is external fluid leak. 7. There is an internal fluid section leak (seals are worn and/or dirty, valve balls are worn). 8. Worn valve seats (fig. 25, item 10, 11) 	<ol style="list-style-type: none"> 1. Replace the spray tip following the instructions that came with the spray gun. 2. Replace the spray tip with a tip that has a smaller orifice following the instructions in this manual. 3. The gun filter, or inlet screen is clogged. 4. Clean or replace the relief valve. 5. Check the siphon tube/siphon set connection and tighten or replace if damaged. 6. Check for external leaks at all connections. Tighten connections, if necessary. 7. Clean the valves and service the fluid section following the "Servicing the Fluid Section" procedure in the Maintenance section of this manual. 8. Reverse or replace the valve seats following the "Servicing the Fluid Section" procedure in the Maintenance section of this manual.
D. Fluid leakage at the upper end of the fluid section.	<ol style="list-style-type: none"> 1. The upper packings are worn. 2. The piston rod is worn. 	<ol style="list-style-type: none"> 1. Repack the pump following the "Servicing the Fluid Section" procedure in the Maintenance section of this manual. 2. Replace the piston rod following the "Servicing the Fluid Section" procedure in the Maintenance section of this manual.
E. Excessive surge at the spray gun.	<ol style="list-style-type: none"> 1. Wrong type of airless spray hose. 2. The spray tip worn or too large. 3. Excessive pressure. 	<ol style="list-style-type: none"> 1. Replace hose with a minimum of 50' of 1/4" grounded textile braid airless paint spray hose. 2. Replace the spray tip following the instructions in this manual. 3. Turn the DirectLink pressure control knob slowly clockwise to decrease pressure.
F. Poor spray pattern.	<ol style="list-style-type: none"> 1. The spray tip is too large for the material being used. 2. Incorrect pressure setting. 3. Insufficient fluid delivery. 4. The material being sprayed is too viscous. 	<ol style="list-style-type: none"> 1. Replace the spray tip with a new or smaller spray tip following the instructions in this manual. 2. Adjust the DirectLink pressure control knob until the desired spray pattern is achieved. 3. Clean all screens and filters. 4. Add solvent to the material according to the manufacturer's recommendations.
G. The unit lacks power.	<ol style="list-style-type: none"> 1. The pressure adjustment is too low. 	<ol style="list-style-type: none"> 1. Take to an authorized service center.

Warnung!

**Achtung: Verletzungsgefahr durch Injektion!
Airless-Geräte entwickeln extrem hohe Spritzdrücke.**



1

Niemals Finger, Hände oder andere Körperteile mit dem Spritzstrahl in Berührung bringen!

Nie die Spritzpistole auf sich, Personen und Tiere richten.

Nie die Spritzpistole ohne Spritzstrahl-Berührungsschutz benutzen.

Behandeln Sie eine Spritzverletzung nicht als harmlose Schnittverletzung. Bei einer Hautverletzung durch Beschichtungsstoff oder Lösemittel sofort einen Arzt aufsuchen zur schnellen, fachkundigen Behandlung. Informieren Sie den Arzt über den verwendeten Beschichtungsstoff oder das Lösemittel.

2

Vor jeder Inbetriebnahme sind gemäß Betriebsanleitung folgende Punkte zu beachten:

1. Fehlerhafte Geräte dürfen nicht benutzt werden.
2. Titan-Spritzpistole sichern mit Sicherungshebel am Abzugsbügel.
3. Erdung sicherstellen.
4. Zulässigen Betriebsdruck von Hochdruckschlauch und Spritzpistole überprüfen.
5. Alle Verbindungsteile auf Dichtheit prüfen.

3

Anweisungen zur regelmäßigen Reinigung und Wartung des Gerätes sind streng einzuhalten.

Vor allen Arbeiten am Gerät und bei jeder Arbeitspause folgende Regeln beachten:

1. Spritzpistole und Hochdruckschlauch druckentlasten.
2. Titan-Spritzpistole sichern mit Sicherungshebel am Abzugsbügel.
3. Gerät ausschalten.

Achte auf Sicherheit!








Inhalt

	Seite		Seite
1. Sicherheitsvorschriften für das Airless-Spritzen	24	5. Reinigung	37
1.1 Erklärung der verwendeten Symbole	24	5.1 Besondere Reinigungshinweise bei Verwendung entflammbarer Lösungsmittel	37
1.2 Benzinmotoren-Betriebsicherheit	26	5.2 Reinigung des Spritzgeräts	37
1.3 Betanken (Benzinmotor)	26	5.3 Besondere Reinigung	38
2. Anwendungsübersicht	29	5.4 Reinigung / Auswechseln des Pistolenfilters	38
2.1 Einsatzgebiete	29	5.5 Reinigung des Sureflo™ Ventils	39
2.2 Beschichtungsstoffe	29	6. Unterhalt	39
3. Gerätebeschreibung	29	6.1 Einstellung der Abzugsspannung	39
3.1 Airless-Verfahren	29	6.2 Wartung des Motors	40
3.2 Funktion des Gerätes	29	6.3 Sicherheitsabsperrhahn	40
3.3 Erklärungsbild	30	6.4 Hochdruckschlauch	40
3.4 Technische Daten	31	6.5 Auswechseln des Ablassventils	41
3.5 Bedienelemente	31	6.6 Wartung des Pumpenabschnitts	42
4. Bedienung	32	7. Fehlerbehebung	43
4.1 Einrichtung	32	Zubehör und Ersatzteile	66
4.2 Vorbereitung der Farbe	33	Ersatzteilliste Hauptbaugruppe	66/67
4.3 Farbgebung	34	Ersatzteilliste Baugruppe Antrieb	68/69
4.4 Anschluss der Düsenschutzvorrichtung und der Düse	34	Ersatzteilliste Wagen	70/71
4.5 Vorgehensweise bei Druckentlastung	35	Ersatzteilliste Baugruppe Pistolenhalter	72/73
4.6 Reinigung von verstopften Düsen	36	Ersatzteilliste Spritzpistole	74
4.7 Auswechseln der Spritzdüse	36	Schaltplan	75
4.8 Schablonieren	37	Zubehör für PL 850-Geräte	76
4.9 Den Frontalsprüher bedienen	37	TR ¹ Streifendüsen	76
		TR ¹ Streifendüsentabelle	78
		Garantie	80

1. Sicherheitsvorschriften für das Airless-Spritzen

1.1 Erklärung der verwendeten Symbole

Diese Bedienanleitung enthält Informationen, die der Benutzer vor Verwendung des Geräts gründlich durcharbeiten muss. In Bereichen, die mit den folgenden Symbolen gekennzeichnet sind, besonders vorsichtig arbeiten und alle Sicherheitshinweise beachten.

	Dieses Symbol verweist auf eine potenzielle Gefahr, die zum Tode oder zu schweren Verletzungen führen kann. Hier finden Sie wichtige Sicherheitsinformationen.
	Dieses Symbol weist auf eine potenzielle Gefahr für Sie bzw. das Gerät hin. Unter diesem Symbol finden Sie wichtige Informationen, wie Sie Schäden an dem Gerät und Verletzungsgefahr vermeiden.
	Injektionsgefahr
	Brandgefahr durch Lösemittel und Farbdämpfe
	Explosionsgefahr durch Lösemittel, Farbdämpfe und ungeeignete Materialien
	Verletzungsgefahr durch das Einatmen von schädlichen Dämpfen
	Hinweise enthalten wichtige Informationen, die beachtet werden sollten.



GEFAHR: Verletzung durch Flüssigkeiten unter Druck

Eine unter hohem Druck stehende Flüssigkeit, wie sie von diesem Gerät erzeugt wird, kann die Haut durchdringen und in das darunter liegende Bindegewebe eindringen und so zu schweren Verletzungen und selbst zur Amputation führen. Behandeln Sie eine Spritzverletzung nicht als harmlose Schnittverletzung. Bei einer Hautverletzung durch Beschichtungsstoff oder Lösemittel sofort einen Arzt aufsuchen zur schnellen, fachkundigen Behandlung. Informieren Sie den Arzt über den verwendeten Beschichtungsstoff oder das Lösemittel.

VORSICHTSMASSNAHMEN:

- NIEMALS die Spritzpistole auf Körperteile halten.
- NIEMALS mit Körperteilen den Flüssigkeitsstrahl berühren. NIEMALS mit dem Körper eine Leckstelle im Druckschlauch berühren.
- NIEMALS die Hand vor die Düse der Spritzpistole halten. Handschuhe stellen keinen sicheren Schutz vor Verletzungen durch injizierte Flüssigkeiten dar.
- STETS den Auslöser der Spritzpistole verriegeln, die Pumpe ausschalten und den Druck vollständig entspannen, bevor Wartungs- und Reinigungsarbeiten, Durchsichten, Düsenwechsel oder ähnliche Arbeiten durchgeführt werden oder das Gerät unbeaufsichtigt gelassen wird. Auch nach dem Ausschalten des Motors steht das Gerät noch unter Druck. Das Ventil PRIME/SPRAY bzw. das Druckentlastungsventil müssen in ihren Sollpositionen stehen, um den Systemdruck zu entspannen.
- STETS den Düsenschutz aufsetzen, wenn Spritzarbeiten durchgeführt werden. Der Düsenschutz stellt einen gewissen Schutz dar, ist aber vor allem als Warnvorrichtung gedacht.
- STETS die Spritzdüse entfernen, bevor das System gereinigt oder gespült wird.

- NIEMALS eine Spritzpistole ohne funktionsfähige Auslöserverriegelung und ohne Auslöserbügel verwenden.
- Das gesamte Zubehör muss mindestens für den maximalen Betriebsdruckbereich des Spritzgeräts zugelassen sein. Dazu gehören Spritzdüsen, Spritzpistolen, Verlängerungen und Schlauch.



GEFAHR: Hochdruckschlauch

Durch Verschleiß, Knicken und nicht zweckentsprechende Verwendung können sich Leckstellen im Farbschlauch bilden. Durch eine Leckstelle kann Flüssigkeit in die Haut injiziert werden. Vor Verwendung den Schlauch gründlich prüfen.

VORSICHTSMASSNAHMEN:

- Scharfes Biegen oder Knicken des Hochdruckschlauches vermeiden, kleinster Biegeradius etwa 20 cm.
- Hochdruckschlauch nicht überfahren, sowie vor scharfen Gegenständen und Kanten schützen.
- Beschädigten Hochdruckschlauch sofort ersetzen.
- Niemals defekten Hochdruckschlauch selbst reparieren!
- Elektrostatische Aufladung von Spritzpistole und Hochdruckschlauch wird über den Hochdruckschlauch abgeleitet. Deshalb muss der elektrische Widerstand zwischen den Anschlüssen des Hochdruckschlauchs gleich oder kleiner ein Megaohm betragen.
- Aus Gründen der Funktion, Sicherheit und Lebensdauer, nur Titan-Original-Ersatzhochdruckschläuche verwenden.
- Vor jedem Einsatz alle Schläuche auf Einschnitte, Leckstellen, Scheuerstellen oder gewölbte Oberflächen kontrollieren. Die Kupplungen auf Unversehrtheit und festen Sitz kontrollieren. Schläuche unverzüglich ersetzen, wenn einer der oben genannten Fehler festgestellt wird. Einen Farbschlauch niemals reparieren. Einen defekten Schlauch durch einen geerdeten Hochdruckschlauch ersetzen.
- Achten Sie darauf, Spritzschläuche so zu verlegen, dass die Rutsch-, Stolper-, und Unfallgefahr minimiert wird.



GEFAHR: Explosions- und Brandgefahr

Brennbare Dämpfe, wie z. B. Dämpfe von Lösungsmitteln und Farben können sich in den Arbeitsbereichen entzünden oder explodieren.

VORSICHTSMASSNAHMEN:

- Verwenden Sie das Gerät ausschließlich in gut belüfteten Bereichen. Achten Sie auf ausreichende Frischluftzufuhr im gesamten Bereich, damit sich keine brennbaren Dämpfe in der Luft im Spritzbereich ansammeln können. Bewahren Sie die Pumpenbaugruppe in einem gut belüfteten Bereich auf. Besprühen Sie nicht die Pumpenbaugruppe.
- Nur Modelle mit Benzinmotor - Befüllen Sie den Treibstofftank nicht, wenn der Motor läuft oder heiß ist; schalten Sie den Motor ab und lassen diesen abkühlen. Der Treibstoff ist brennbar und kann sich entzünden bzw. explodieren, wenn dieser mit einer heißen Oberfläche in Berührung kommt.
- Beseitigen Sie alle Zündquellen, wie z. B. Zündflammen, Zigaretten, tragbare elektrische Lampen und Plastikabdeckplanen (potenzieller elektrostatischer Lichtbogen).
- Halten Sie die Arbeitsbereiche frei von Verunreinigungen, einschließlich Lösungsmittel, Lappen und Benzin.
- Schließen Sie die Elektrozuleitungen nicht bzw. trennen diese nicht ab bzw. schalten Sie die Netzschalter bzw. Lichtschalter nicht ein bzw. aus, wenn sich brennbare Dämpfe entwickelt haben.
- Schutzleiter und leitfähige Gegenstände im Arbeitsbereich. Achten Sie darauf, dass Erdungsketten vorhanden sind und dass diese den Boden erreichen.
- Verwenden Sie ausschließlich geerdete Schläuche.
- Halten Sie die Spritzpistole fest an die Seite eines geerdeten Eimers, wenn Sie in den Eimer spritzen.
- Kommt es durch statische Aufladung zu Funkenbildung bzw. wenn Sie einen Stromschlag verspüren, brechen Sie den Vorgang umgehend ab.
- Sie müssen die Zusammensetzung der Farben und Lösungsmittel, die Sie

spritzen möchten, kennen. Lesen Sie alle Materialsicherheitsdatenblätter (SDS) und Behälterbeschriftungen von Farben und Lösungsmitteln durch. Befolgen Sie die Sicherheitsanweisungen des Farben- und Lösungsmittelherstellers.

- Verwenden Sie keine Farben bzw. Lösungsmittel, die Halogenkohlenwasserstoffe enthalten, wie z. B. Chlor, Bleiche, Antischimmelmittel, Methylenchlorid und Trichlorethan. Sie sind nicht kompatibel mit Aluminium. Setzen Sie sich mit dem Lieferanten der Beschichtung hinsichtlich der Kompatibilität des Materials mit Aluminium in Verbindung.
- Halten Sie im Arbeitsbereich einen Feuerlöscher bereit.



GEFAHR: Gefährliche Dämpfe

Farben, Lösungsmittel und andere Materialien können beim Einatmen oder beim Kontakt mit dem Körper gesundheitsschädlich sein. Die Dämpfe können schwere Übelkeit, Ohnmacht und Vergiftungen verursachen.

VORSICHTSMASSNAHMEN:

- Bei Spritzarbeiten Atemschutz tragen. Alle mit der Gesichtsmaske mitgelieferten Anleitungen durcharbeiten, damit die Gesichtsmaske auch den gewünschten Schutz bietet.
- Dem Benutzer ist eine Atemschutzmaske zur Verfügung zu stellen (Berufsgenossenschaftliche Regeln „Regeln für den Einsatz von Atemschutzgeräten“ (BGR 190).
- Arbeitsschutzbrille tragen.
- Zum Schutz der Haut sind Schutzkleidung, Handschuhe und eventuell Hautschutzcreme erforderlich (BGR 197 "Benutzung von Hautschutz"). Vorschriften der Hersteller beachten zu den Beschichtungsstoffen, Lösemittel und Reinigungsmittel bei Aufbereitung, Verarbeitung und Gerätereinigung.



GEFAHR: Allgemeines

Kann schwere Personen- oder Sachschäden verursachen.

VORSICHTSMASSNAHMEN:

- Alle lokalen sowie im Land bzw. Bundesland geltenden Vorschriften zum Brandschutz, zur Bedienung und Lüftung einhalten.
- Bei Betätigung des Auslösers zieht die Spritzpistole zur Seite. Diese Kraftwirkung der Spritzpistole ist besonders stark, wenn die Düse entfernt und bei der Pumpe hoher Druck eingestellt wurde. Bei der Reinigung mit abgeschraubter Düse daher den Druckreglerknopf auf den niedrigsten Druck einstellen.
- Nur vom Hersteller zugelassene Teile verwenden. Bei Verwendung von Teilen, die nicht die technischen Mindestanforderungen erfüllen, trägt der Benutzer alle Risiken und die gesamte Haftung. Dies gilt auch für die Sicherheitsvorrichtungen der Pumpe.
- IMMER die Hinweise des Herstellers zum sicheren Umgang mit Farben und Lösungsmitteln einhalten.
- Verschüttete Materialien und Lösemitteln sofort aufwischen, um Rutschgefahr zu vermeiden.
- Gehörschutz tragen. Dieses Gerät kann einen Schalldruck über 85 dB(A) erzeugen.
- Das Gerät niemals unbeaufsichtigt lassen. Kinder oder andere Personen, die mit dem Betrieb des druckluftlosen Spritzgeräts nicht vertraut sind, von dem Gerät fern halten.
- An windigen Tagen nicht im Freien spritzen.
- Das Gerät inklusive aller Flüssigkeiten (z.B. Hydrauliköl) müssen umweltgerecht entsorgt werden.

1.2 Benzinmotoren-Betriebssicherheit

1. Benzinmotoren sind so gebaut, dass sie sicher und verlässlich funktionieren, wenn sie gemäss der Instruktionen bedient werden. Vor der Bedienung des Motors muss das Besitzerhandbuch des Herstellers gelesen und verstanden werden. Bei Unterlassung kann Personenverletzung oder Materialschaden entstehen.
2. Um Feuergefahr zu vermeiden und genügend Ventilation zu erlauben, muss der Motor mindestens 1 Meter von Gebäuden und anderen Maschinen entfernt sein wenn er in Betrieb ist. Keine brennbaren Gegenstände in der Nähe des Motors aufbewahren.
3. Personen, die das Gerät nicht bedienen, dürfen den Betriebsbereich nicht betreten, da die Möglichkeit besteht Verbrennungen von heißen Motorenteilen oder Verletzungen durch Geräte, die zur Bedienung des Motors benutzt werden, zu erleiden.
4. Seien Sie vertraut damit, wie Sie den Motor schnell abstellen können und wissen Sie Bescheid über alle Bedienungselemente und deren Handhabung. Erlauben Sie niemandem, den Motor ohne sachgerechte Anleitung zu bedienen.
5. Benzin ist äußerst leicht entflammbar und unter bestimmten Bedingungen explosiv.
6. Tanken Sie Benzin nur in einem gut durchlüfteten Bereich nach, nachdem der Motor abgestellt wurde. Rauchen Sie nicht und erlauben Sie keine Flammen oder Funken im Bereich in welchem aufgetankt wird oder Benzin aufbewahrt wird.
7. Überfüllen Sie den Benzintank nicht. Nach dem Auftanken, vergewissern Sie sich, dass die Tankverschlusskappe richtig und sicher aufgeschraubt ist.
8. Seien Sie darauf bedacht, beim Auftanken kein Benzin zu verschütten. Benzindämpfe oder verschüttetes Benzin könnte sich entflammen. Falls Benzin verschüttet wurde, vergewissern Sie sich, dass der Bereich trocken ist, bevor Sie den Motor starten.
9. Lassen Sie den Motor nie in einem geschlossenen oder engen Bereich laufen. Abgase enthalten giftige

Kohlenmonoxidgase; diesen ausgesetzt läuft man Gefahr das Bewusstsein zu verlieren und es kann soogar zu Tod führen.

10. Der Auspuff wird während des Laufens des Motors sehr heiss und bleibt nach abstellen des Motors noch für eine Weile heiss. Seien Sie darauf Bedacht, den Auspuff nicht zu berühren, solange er noch heiss ist. Um schwere Verbrennungen oder Feuergefahr zu vermeiden, lassen Sie den Motor abkühlen, bevor Sie ihn transportieren oder in einem Innenraum aufbewahren.
11. Verschiffen oder transportieren Sie die Sprühanlage niemals mit Benzin im Tank.



Benutzen Sie diese Anlage NICHT um Wasser oder Säuren zu spritzen.



Achtung

Beim Auf- oder Abladen, nicht an der Deichsel halten.

Gerät ist sehr schwer. Muss von drei Personen getragen werden.

1.4 Betanken (Benzinmotor)



Benzin ist äußerst entflammbar und unter bestimmten Bedingungen sogar explosiv.

Technische Angaben zum Treibstoff

- Verwenden Sie Benzin mit einer Mindest-Oktanzahl von 86 oder mit einer Mindest-Research-Oktanzahl von 91. Die Verwendung eines Treibstoffes mit einer geringeren Oktanzahl kann zu ständigem "Motorklopfen" oder starkem "Klopfen" (ein metallisches klopfendes Geräusch) führen, das zu einem Motorschaden führen kann, wenn dieser zu stark ist.



Wechseln Sie die Treibstoffmarke, wenn das "Klopfen" oder "Motorklopfen" bei einer stetigen Motorgeschwindigkeit unter normaler Belastung auftritt. Bleibt das Klopfen bzw. Motorklopfen, setzen Sie sich mit einem autorisierten Händler des Motorherstellers in Verbindung. Bei Nichteinhaltung gilt dies als Fehlgebrauch und Schäden durch Fehlgebrauch sind nicht durch die Herstellergarantie gedeckt. Gelegentlich entsteht ein leichtes Klopfen, wenn das Gerät stark belastet wird. Das ist kein Grund zur Beunruhigung. Dies bedeutet nur, dass der Motor effizient funktioniert.

- Bleifreier Treibstoff verursacht weniger Ablagerungen im Motor und in den Zündkerzen und verlängert die Lebensdauer der Komponenten des Abgassystems.
- Verwenden Sie niemals abgestandenes oder verschmutztes Benzin und/oder ein Öl-/Benzingemisch. Vermeiden Sie, dass Schmutz, Staub oder Wasser in den Treibstofftank gelangen.

Kraftstoff aus Benzin-Alkohol-Gemisch

Wenn Sie sich für einen Kraftstoff aus einem Benzin-Alkohol-Gemisch (Gasohol) entscheiden, müssen Sie darauf achten, dass dessen Oktanzahl mindest so hoch ist, wie diese vom Motorenhersteller empfohlen wird. Es gibt zwei Arten von Benzin-Alkohol-Gemisch: die eine enthält Ethanol und die andere Methanol. Verwenden Sie kein Gasohol, das mehr als 10 % Ethanol enthält. Verwenden Sie kein Benzin-Methanol-Gemisch (Methyl oder Holzalkohol), das keine Zusatzlösungsmittel und Korrosionshemmstoffe für Methanol enthält. Verwenden Sie niemals Benzin, das mehr als 5 % Methanol enthält, auch dann nicht, wenn es Zusatzlösungsmittel und Korrosionshemmstoffe enthält.



Eine Beschädigung des Treibstoffsystems bzw. Probleme mit der Motorenleistung, die aus der Verwendung von Treibstoff resultieren, der Alkohol enthält, werden von der Gewährleistung nicht gedeckt. Der Motorenhersteller kann nicht die Verwendung von Treibstoffen befürworten, die Methanol enthalten, das es noch nicht als erwiesen gilt, dass sich diese hierfür eignen. Versuchen Sie herauszufinden, ob das Benzin Alkohol enthält, bevor Sie Benzin von einer Ihnen unbekanntem Tankstelle beschaffen. Falls dieses Alkohol enthält, überprüfen Sie die Art und den Anteil des verwendeten Alkohols. Stellen Sie bei der Verwendung von alkoholhaltigem Benzin bzw. von dem Sie annehmen, dass es Alkohol enthält, unerwünschtes Betriebsverhalten fest, stellen Sie auf ein Benzin um, von dem Sie wissen, dass es kein Alkohol enthält.

2. Anwendungsübersicht

2.1 Einsatzgebiete

Der Airless Straßenmarkiergerät ist ein Präzisionswerkzeug, das zum Versprühen zahlreicher Materialien für viele Anwendungen einschließlich Parklücken, Kurven und Sportfelder genutzt wird. Lesen und befolgen Sie diese Anweisungen bezüglich des Betriebs, der Wartung und der Sicherheit sorgfältig.

2.2 Beschichtungsstoffe

Verarbeitbare Beschichtungsstoffe



Achten Sie auf Airless-Qualität bei den zu verarbeitenden Beschichtungsstoffen.

Latexfarben, Dispersionsfarben, Flammenschutz- und Dickschichtmaterialien, Zinkstaub- und Eisenglimmerfarben, Airless-Spritzspachtel, spritzbare Kleber, Korrosionsschutz, Dickschichtmaterialien und bitumenähnliche Beschichtungsstoffe.

Die Verarbeitung anderer Beschichtungsstoffe ist nur mit Zustimmung der Firma Titan zulässig.

Filterung

Es wird allgemein das Filtern des Beschichtungsmaterials empfohlen.

Beschichtungsstoff vor Arbeitsbeginn gut umrühren.



Achtung: Beim Aufrühren mit motorgetriebenen Rührwerken darauf achten, dass keine Luftblasen eingerührt werden. Luftblasen stören beim Spritzen, können sogar zur Betriebsunterbrechung führen.

3. Gerätebeschreibung

3.1 Airless Verfahren

Hauptanwendungsgebiete sind dicke Schichten von höherviskosem Beschichtungsstoff bei großen Flächen und hohem Materialeinsatz.

Eine Kolbenpumpe saugt den Beschichtungsstoff an und fördert ihn unter Druck zur Düse. Bei einem Druck bis max. 207 bar (20,7 MPa) durch die Düse gepresst, zerstäubt der Beschichtungsstoff. Dieser hohe Druck bewirkt eine mikrofeine Zerstäubung des Beschichtungsstoffes.

Da in diesem System keine Luft verwendet wird, bezeichnet man dieses Verfahren als AIRLESS-Verfahren (luftlos).

Diese Art zu spritzen bringt die Vorteile von feinsten Zerstäubung, nebelarmer Betriebsweise und glatter, blasenfreier Oberfläche. Neben diesen Vorteilen sind die Arbeitsgeschwindigkeit und die große Handlichkeit zu nennen.

3.2 Funktion des Gerätes

Zum besseren Verständnis der Funktion kurz den technischen Aufbau.

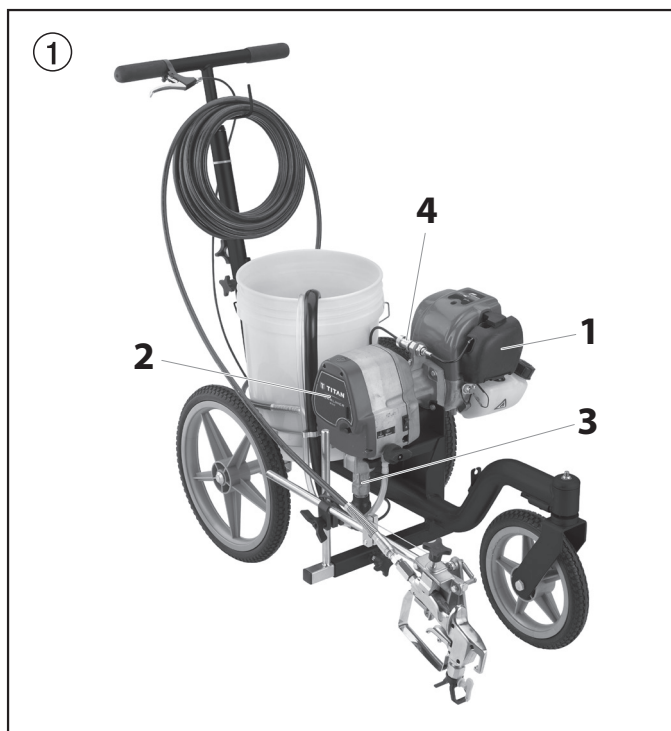
Titan PowrLiner 850 (PL) sind mit Benzinmotor angetriebene Hochdruckspritzgeräte.

Der Benzinmotor (Abb. 1, Pos. 1) treibt die Baugruppe Pumpe (2) an, die den Kolben im Pumpenabschnitt auf und ab bewegt (3).

Durch die Aufwärtsbewegung des Kolbens öffnet das Einlassventil selbstständig. Bei der Abwärtsbewegung des Kolbens öffnet das Auslassventil.

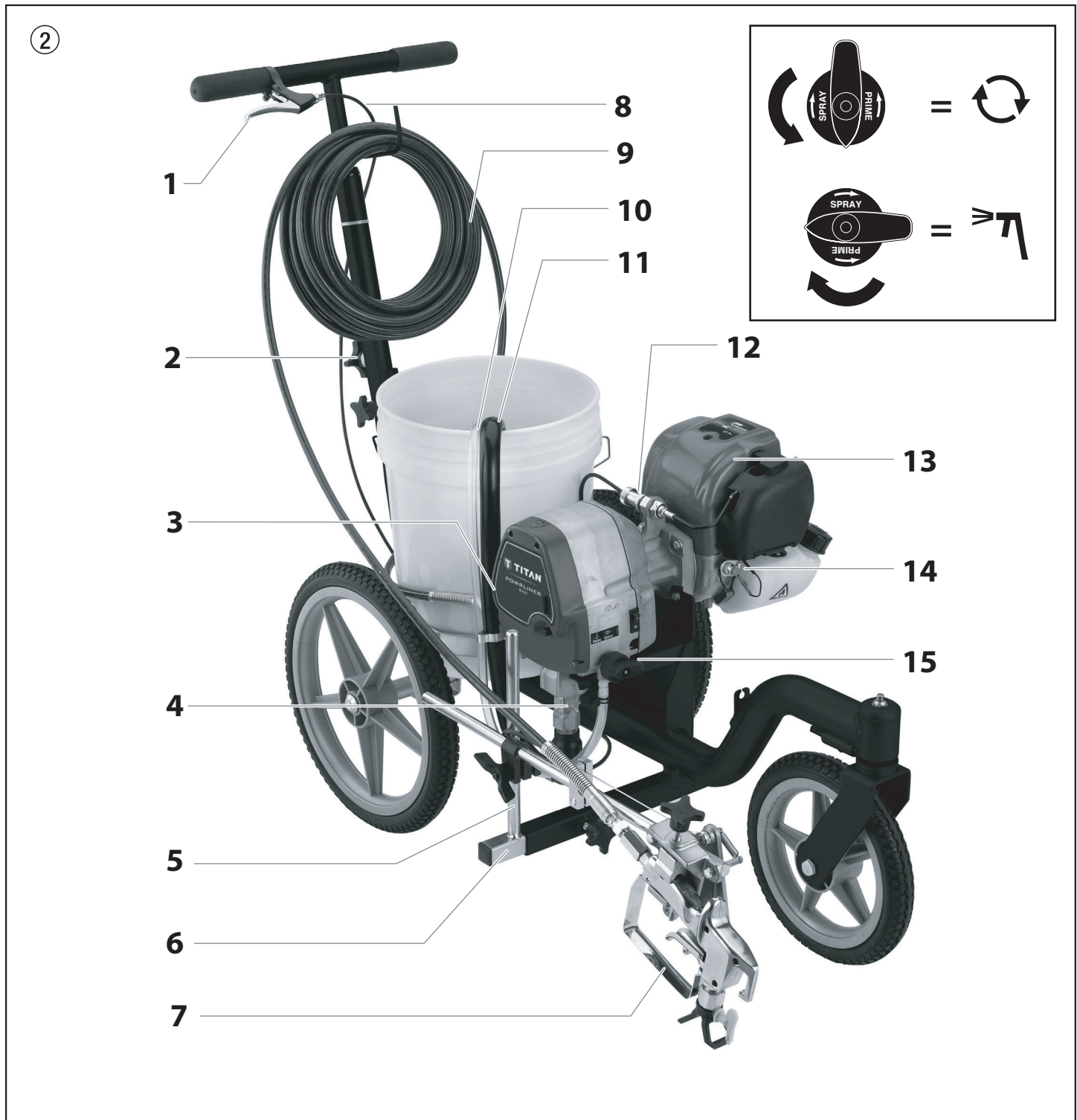
Der Beschichtungsstoff strömt unter hohem Druck durch den Hochdruckschlauch zur Spritzpistole. Bei Austritt aus der Düse zerstäubt der Beschichtungsstoff.

Das DirectLink™ Druckregelventil (4) regelt die Fördermenge und den Betriebsdruck des Beschichtungsstoffs.



3.3 Erklärungs bild

- | | | | |
|---|--------------------------|----|---|
| 1 | Spritzhebel | 9 | Airless Spritzschlauch |
| 2 | Einstellknopf Handgriff | 10 | Rücklaufschlauch |
| 3 | Hochdruckschlauchauslass | 11 | Ansaugschlauch |
| 4 | Sureflo™ Ventil | 12 | DirectLink™ Druckregler |
| 5 | Steigrohr Pistole | 13 | Benzinmotor |
| 6 | Auflageleiste Pistole | 14 | Abschaltknopf Motor |
| 7 | Hochdruck-Spritz-Pistole | 15 | Entlastungsventilhandgriff |
| 8 | Drossel / Pistolenkabel | | Nach links drehen Zirkulation  |
| | | | Nach rechts drehen Spritzen  |



3.4 Technische Daten

		PL850
Benzinmotor, Leistung		37.7cc, Viertakt-Gasmotor
Tankinhalt		0,65 L
max. Betriebsdruck		20,7 MPa (207 bar)
max. Schalldruckpegel		92 dB*
max. Düsengröße mit einer Spritzpistole		
	Straßenmarkierung	0,019" – 0,48 mm
	Feldmarkierung	0,023" – 0,58 mm
max. Volumenstrom		1,25 l/min
Gewicht		29,5 kg
max. Viskosität		20.000 mPa·s
Abmessungen L x H x B		
		104 cm x 53,3 cm x 81,3 cm
Höhe		
		Dieses Gerät funktioniert in einer Höhe von bis zu 2000m über n.n. einwandfrei.
max. Temperatur des Beschichtungsstoffs		
		43° C
max. Reifendruck		
		0,2 MPa (2 bar)
Spezial-Hochdruckschlauch		
		DN 6 mm, 15 m, Anschlussgewinde NPSM 1/4

* Messort: Abstand 1 m seitlich vom Gerät und 1,60 m über schallhartem Boden, 12 MPa (120 bar) Betriebsdruck.

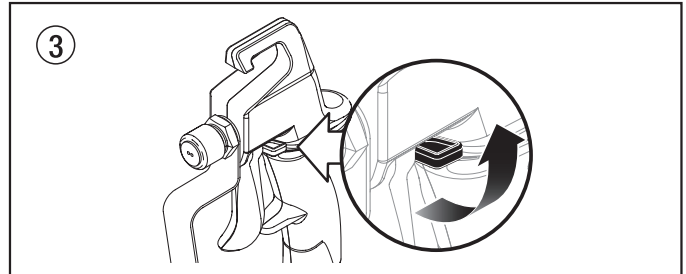
3.5 Bedienelemente

Der folgende Abschnitt beschreibt die Bedienelemente auf der Spritzpistole und dem Linienmarkierer.

Abzugsverriegelung Spritzpistole

Aktivieren Sie die Abzugsverriegelung, wenn Sie die Pistole nicht benutzen.

Die Pistole ist abgeriegelt, wenn sich die Abzugsverriegelung in einem 90°-Winkel befindet (senkrecht zum Abzug in beide Richtungen).



Bei Bedarf lösen Sie die Rändelschraube an der Pistolenhalterung und aktivieren die Abzugsverriegelung der Pistole. Lösen Sie ggf. den Knopf der Pistolenhalterklammer und aktivieren dann die Absperrverriegelung der Spritzpistole.

Spritzhebel

Der Spritzhebel ist Dieser befindet sich auf dem Handgriff des Wagens. Der Sprühhebel steuert den Abzug der Sprühpistole.

Durch vollständiges Ziehen des Sprühhebels wird die Sprühpistole ausgelöst. Während des Abstreifens sollte der Sprühhebel für eine ordnungsgemäße Funktion vollständig gezogen werden.



Das Spritzgerät ist mit einem automatischen Notschalter ausgestattet, um zu vermeiden, dass zu viel Druck im Spritzgerät entsteht. Steht das Ablassventil auf der Position SPRAY (☞) wird durch das Betätigen und Halten des Spritzhebels der Notschalter aktiviert, ohne dass die Spritzpistole betätigt wird. Siehe Wartungsabschnitt, wenn der Notschalter aktiviert wird.

Ablassventil

Das Ablassventil (Abb. 5, Pos. 1) führt das Material zum Entlüftungsschlauch, wenn auf PRIME (☺) bzw. zum Hochdruckschlauch, wenn auf SPRAY (☹) eingestellt ist.

Die Pfeile auf dem Ablassventilknopf zeigen die Drehrichtung für PRIME (☺) und SPRAY (☹).

Abschaltknopf

Der Abschaltknopf des Motors (Abb. 5, Pos. 2) schaltet den Motor ab, wenn dieser läuft.

Betätigen Sie den Abschaltknopf und halten diesen gedrückt, um den Motor abzuschalten.

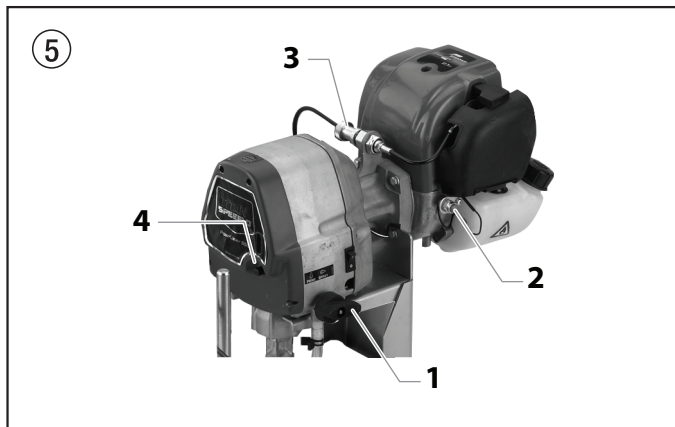
DirectLink™

Der Spritzdruck wird mithilfe der Motordrossel eingestellt.

Die Drossel wird über die Einstellung des DirectLink™ Druckreglers (Abb. 5, Pos. 3) geregelt. Je höher die Drossel eingestellt ist, desto stärker ist der Spritzdruck.

AutoOiler™

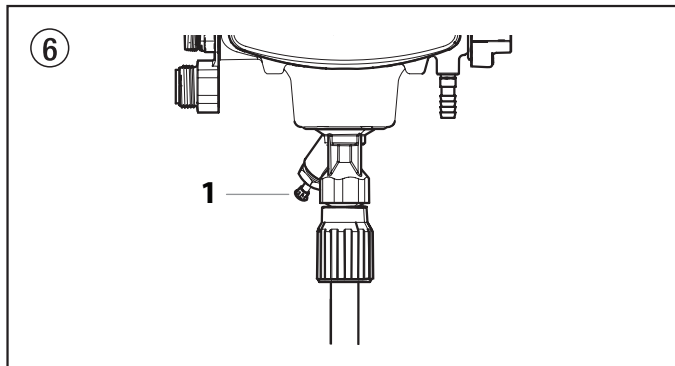
Der AutoOiler (Abb. 5, Pos. 4) dient zur Schmierung des Fluidabschnitts der Pumpe. Betätigen Sie nach der Ersteinrichtung vor jedem Einsatz den AutoOiler Knopf 2-3-mal.



Sureflo™ Ventil

Das Sureflo™ Ventil (Abb. 6, Pos. 1) ist so konzipiert, dass das Einlassventil offen ist und getrocknetes Material nicht kleben bleibt.

Das Sureflo Ventil wird manuell vom Benutzer aktiviert.



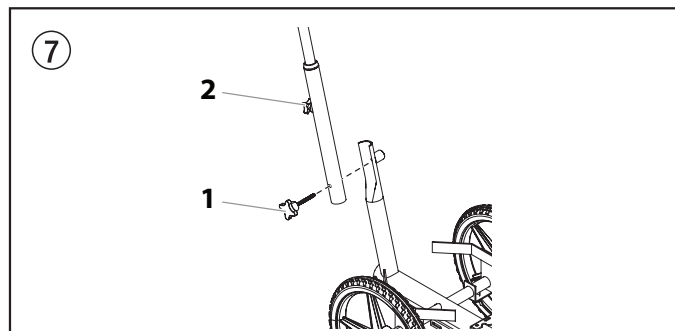
4. Bedienung



Dieses Gerät Komponente produziert einen Flüssigkeitsstrom bei extrem hohem Druck. Lesen und verstehen Sie die Hinweise im Abschnitt über die Sicherheitsvorkehrungen am Anfang dieses Handbuchs, bevor Sie dieses Gerät benutzen.

4.1 Einrichtung

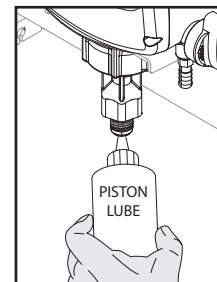
1. Bringen Sie den Handgriff am Wagen an (Abb. 7).
 - a. Bringen Sie die Unterseite des Handgriffs mit der geschweißten Auflage auf dem Wagen auf eine Höhe.
 - b. Schrauben Sie die Schraube durch das Loch im Handgriff und die Schweißkonstruktion. Ziehen Sie den Drehknopf fest, indem Sie diesen in Uhrzeigersinn drehen (1).
 - c. Bringen Sie den Handgriff in die gewünschte Höhe. Lösen Sie den Knopf hinten auf der Schweißkonstruktion (2), um den Handgriff zu lösen.
 - d. Ziehen Sie den Handgriff nach oben oder drücken diesen nach unten, um die gewünschte Höhe einzustellen. Ziehen Sie den Griffknopf fest, um den Handgriff zu sichern.



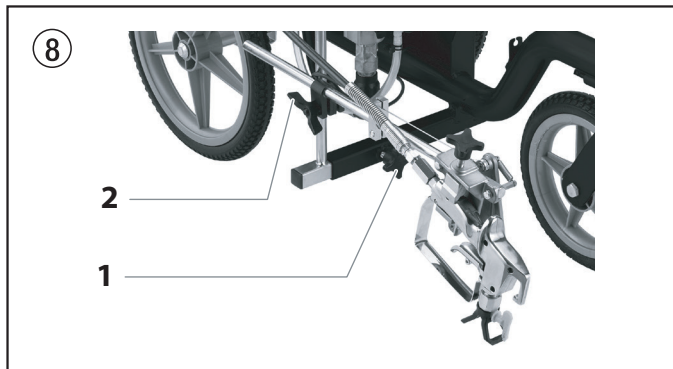
Die Spritzpistole und die Kabel werden im Werk auf dem Pistolenhalter montiert.

Bringen Sie die Düse noch nicht an der Spritzpistole an. Entfernen Sie die Düse, falls diese bereits angebracht ist.

2. Setzen Sie die Flasche mit Piston Lube™ in den Sureflo™ Ventil ein. Spritzen Sie Piston Lube™ in den Sureflo™ Ventil.
3. Achten Sie darauf, dass das Siphonrohr und der Entlüftungsschlauch angebracht und befestigt sind.
4. Schrauben Sie mithilfe eines Schraubenschlüssels den Airless Spritzschlauch an die Ablassarmatur des Spritzgerätes und ziehen diesen gut fest.
5. Schließen Sie die Airless Spritzpistole an den Spritzschlauch an. Verwenden Sie zwei Schraubenschlüssel (einen an der Pistole und einen am Schlauch) und ziehen diesen gut fest.
6. Bringen Sie die Spritzpistole in Position (Abb. 8).
 - a. Lösen Sie den Knopf der Auflageleiste (1) und schieben die Auflageleiste der Pistole in die gewünschte horizontale Position. Achten Sie darauf, dass die Pistole weit genug vom Wagen weg ist, sodass das Hinterrad nicht über das frische Sprühmuster fährt.



- b. Lösen Sie die Klemme des Steigrohrs der Pistole (2) und schieben die Spritzpistole in die gewünschte vertikale Position. Der Abstand von 15 cm von der Düse zur Spritzoberfläche ist ein guter Ausgangspunkt.



Die Höhe der Spritzpistole beeinflusst die Breite des Sprühmusters (d.h., je tiefer die Pistole, desto schmaler der Sprühstrahl). Die Düsengröße beeinträchtigt die Linienweite ebenfalls.

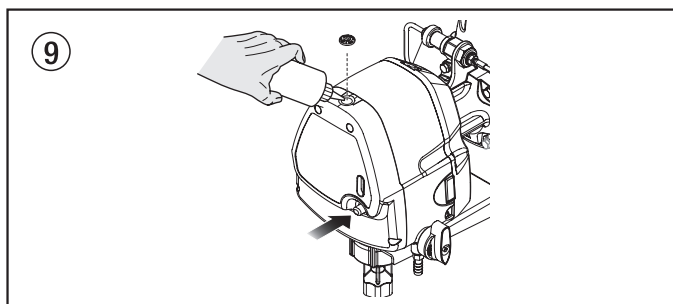
7. Achten Sie darauf, dass das Pistolenkabel ordnungsgemäß funktioniert.
Das Pistolenkabel muss den Abzug betätigen, wenn Sie am Spritzhebel am Handgriff des Wagens ziehen. Dieses Kabel ist für einen ordnungsgemäßen Betrieb werkseingestellt.
Muss die Spannung des Pistolenabzugs eingestellt werden, bitte siehe Vorgehensweise zur "Einstellung der Abzugsspannung" im Wartungsabschnitt dieses Handbuchs.
8. Drehen Sie den Knopf des Ablassventils in die Position PRIME (↻).



Achtung

Das Gerät darf nie länger als 10 Sekunden ohne Farbe betrieben werden. Der Gerätebetrieb ohne Farbe verursacht die Abnutzung der Dichtungen.

9. Entfernen Sie den Deckel des AutoOilers mit einem Flachsraubendreher. Spritzen Sie Piston Lube™ in den AutoOiler. Setzen Sie den Deckel wieder auf.
Drücken Sie den AutoOiler Knopf 2-5-mal, um den Fluidabschnitt zu schmieren.



10. Überprüfen Sie den Ölstand im Motor. Der Ölstand im Benzinmotor wird durch den Hersteller vorgegeben. Siehe hierzu das Wartungshandbuch des Motorenherstellers (liegt bei).
11. Befüllen Sie den Benzintank des Motors ausschließlich mit bleifreiem Benzin. Mischen Sie Benzin nicht mit 2-Takt-Öl.

4.2 Vorbereitung der Farbe

Vor der Farbgebung muss kontrolliert werden, ob die Flüssigkeit in dem System kompatibel mit der Farbe ist, die verwendet werden soll.



Bei der Auslieferung befindet sich in den flüssigkeitführenden Teilen des Straßenmarkiergerätes eine Testflüssigkeit, um einen Korrosion während der Lieferung und Lagerung zu vermeiden. Diese Testflüssigkeit muss mit einem Lösemittel gründlich aus dem System entfernt werden, bevor mit den Spritzarbeiten begonnen wird.



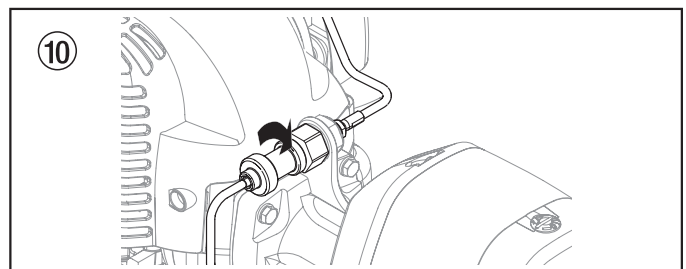
Wenn Flüssigkeit und Farbe inkompatibel sind, können die Ventile verkleben, so dass der Flüssigkeitsbehälter des Spritzgeräts zerlegt und gereinigt werden muss.



Achtung

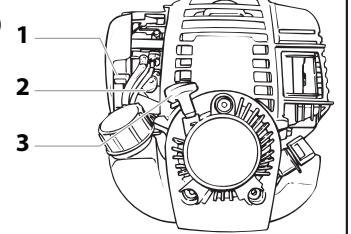
Den Auslöser der Spritzpistole stets verriegelt lassen, während das System auf die Inbetriebnahme vorbereitet wird. Lösen Sie ggf. den Knopf der Halterklammer des Pistole und aktivieren dann den Absperrverriegelung der Spritzpistole.

- Legen Sie den Siphonschlauch in einen Behälter mit dem Lösungsmittel, das sich für das gespritzte Material eignet (siehe Empfehlungen des Materialherstellers). Ein Beispiel für geeignetes Lösungsmittel ist Wasser für Latexfarbe.
- Den Ablassschlauch in einen Metallabfallbehälter hängen.
- Drehen Sie den Knopf des Ablassventils in die Position PRIME (↻).
- Drücken sie den Kolben ganz nach unten, damit die Einlasskugel ganz frei ist.
- Drehen Sie den DirectLink Druckregler ganz in Uhrzeigersinn auf Minimum.



6. Starten Sie den Motor (Abb. 11):
- Bringen Sie den Choke-Hebel (1) nach oben in die Position Full Choke.
 - Drücken Sie den Gummi-Ansaugknopf (2) 7-10-mal.

11



- Ziehen Sie schnell und fest am Startseil (3). Halten Sie das Seil weiterhin fest, während Sie es zurückfahren lassen. Ziehen Sie das Seil und lassen es zurückfahren, bis der Motor anspringt.
- Sobald der Motor läuft, bewegen Sie den Chocke-Hebel (1) langsam nach unten in die Position Geschlossen



Wenn Sie Schwierigkeiten haben, den Motor zu starten, drehen Sie den DirectLink Druckregler 1-2 Umdrehungen gegen den Uhrzeigersinn.

7. Drehen Sie den DirectLink Druckregler gegen den Uhrzeigersinn, um den Druck zu erhöhen, bis Flüssigkeit aus dem Rücklaufschlauch kommt. Erhöhen Sie den Druck nur soweit, bis die Flüssigkeit stetig herausfließt.
8. Lassen Sie das Spritzgerät 15-30 Sekunden laufen, um die Testflüssigkeit durch den Rücklaufschlauch auszuspülen und diese in den Abfallbehälter laufen zu lassen.
9. Drehen Sie den DirectLink Druckregler ganz in Uhrzeigersinn auf Minimum.
10. Schalten Sie das Spritzgerät ab, indem Sie den Abschaltknopf des Motors drücken und halten, bis der Motor abschaltet.



Die Spritzpistole darf noch nicht mit einem Düsenschutz oder einer Düse versehen sein.

11. Stellen Sie einen Abfallbehälter aus Metall unter die Spritzpistole, um das Lösungsmittel aufzufangen.
12. Starte Sie den Motor.
13. Drehen Sie den Knopf des Ablassventils in die Position SPRAY (↺).
14. Drehen Sie den DirectLink Druckregler langsam gegen den Uhrzeigersinn, um den Druck zu erhöhen.
15. Die Spritzpistole entriegeln. Dazu die Verriegelung des Spritzpistolenauslösers in die entriegelte Stellung bringen.
16. Ziehen Sie den Spritzhebel am Handgriff des Wagens ganz nach hinten. Die Flüssigkeit beginnt durch den Spritzschlauch und aus der Pistole zu fließen.
17. Betätigen Sie weiterhin den Spritzhebel am Handgriff des Wagens, bis das alte Lösungsmittel/die Testflüssigkeit vollständig abgelaufen ist und frisches Lösungsmittel aus der Pistole kommt.
18. Lassen Sie den Spritzhebel los.
19. Sperren Sie die Pistole, indem Sie die Absperrverriegelung in die Position Abgesperrt drehen. Lösen Sie ggf. den Knopf der Pistolenhalterklammer und aktivieren dann die Absperrverriegelung der Spritzpistole.



20. Die gesamte Anlage auf Leckstellen kontrollieren. Werden Leckstellen festgestellt, die Schritte zur „Druckentlastung“, wie in dieser Bedienanleitung beschrieben, ausführen, bevor Schläuche oder Verschraubungen festgezogen werden.
21. Vor dem Wechsel von Lösungsmittel auf Farbe die in dieser Bedienanleitung beschriebenen Schritte zur „Druckentlastung“ (Section 4.5) ausführen.



Bei Außerbetriebnahme des Spritzgeräts die Schritte für die Druckentlastung genau einhalten. Dies gilt auch für die Einstellung von Teilen oder Wartungsarbeiten an Teilen der Spritzanlage, für die Reinigung oder den Wechsel von Sprühdüsen und für die Vorbereitung auf die Reinigung.

4.3 Farbgebung

1. Stellen Sie einen 15-Liter-Eimer mit Material zwischen die Eimerhalterungen am Wagen. Achten Sie darauf, dass die Eimerhalterungen den 15-Liter-Eimer gut festhalten. Stellen Sie ggf. die Eimerhalterungen mithilfe der Flügelschraube, die sich unter jeder Halterung befindet, ein.



Wenn Sie diesen Linienmarkierer zum ersten Mal benutzen, kann es hilfreich sein, Wasser anstelle von Farbe zu verwenden, um sich mit der Bedienung des Linienmarkierers vertraut zu machen. Nachdem Wechsel von Wasser zu Farbe, sprühen Sie mehrere Linien auf Pappe, Dachpappe oder Bitumpapier, bevor Sie Linien markieren, um eine korrekte Linienbreite zu erreichen.

2. Das den Ansaugschlauch in einen Farbbehälter hängen.
3. Den Ablassschlauch in einen Metallabfallbehälter hängen.
4. Drehen Sie den Knopf des Ablassventils in die Position PRIME (↻).
5. Drücken sie den Kolben ganz nach unten, damit die Einlasskugel ganz frei ist.
6. Drehen Sie den DirectLink Druckregler ganz in Uhrzeigersinn auf Minimum.
7. Starten Sie den Motor:
 - a. Bringen Sie den Choke-Hebel (1) nach oben in die Position Full Choke.
 - b. Drücken Sie den Gummi-Ansaugknopf (2) 7-10-mal.
 - c. Ziehen Sie schnell und fest am Startseil (3). Halten Sie das Seil weiterhin fest, während Sie es zurückfahren lassen. Ziehen Sie das Seil und lassen es zurückfahren, bis der Motor anspringt.
 - d. Sobald der Motor läuft, bewegen Sie den Chocke-Hebel (1) langsam nach unten in die Position Geschlossen
8. Drehen Sie den DirectLink Druckregler gegen den Uhrzeigersinn, um den Druck zu erhöhen, bis Flüssigkeit aus dem Rücklaufschlauch kommt. Erhöhen Sie den Druck nur soweit, bis die Flüssigkeit stetig herausfließt.
9. Lassen Sie das Spritzgerät 15-30 Sekunden laufen, um die Testflüssigkeit durch den Rücklaufschlauch auszuspülen und diese in den Abfallbehälter laufen zu lassen.
10. Drehen Sie den DirectLink Druckregler ganz in Uhrzeigersinn auf Minimum.
11. Schalten Sie das Spritzgerät ab, indem Sie den Abschaltknopf des Motors drücken und halten, bis der Motor abschaltet.
12. Den Ablassschlauch aus dem Abfallbehälter nehmen und in den Farbbehälter hängen.
13. Starte Sie den Motor.
14. Drehen Sie den Knopf des Ablassventils in die Position SPRAY (↺).
15. Die Spritzpistole entriegeln. Dazu die Verriegelung des Spritzpistolenauslösers in die entriegelte Stellung bringen.
16. Drehen Sie den DirectLink Druckregler langsam gegen den Uhrzeigersinn, um den Druck zu erhöhen.
17. Ziehen Sie den Spritzhebel am Handgriff des Wagens ganz nach hinten. Die Flüssigkeit beginnt durch den Spritzschlauch und aus der Pistole zu fließen.
18. Betätigen Sie weiterhin den Spritzhebel am Handgriff des Wagens, bis Material aus der Pistole austritt.

19. Lassen Sie den Spritzhebel los.
20. Sperren Sie die Pistole, indem Sie die Absperrverriegelung in die Position Abgesperrt drehen. Lösen Sie ggf. den Knopf der Pistolenhalterklammer und aktivieren dann die Absperrverriegelung der Spritzpistole.
21. Drehen Sie den DirectLink Druckregler ganz in Uhrzeigersinn auf Minimum.
22. Drehen Sie den Knopf des Ablassventils in die Position PRIME (↻).
23. Schalten Sie das Spritzgerät ab, indem Sie den Abschaltknopf des Motors drücken und halten, bis der Motor abschaltet.
24. Bringen Sie die Düsenschutzvorrichtung und die Düse an der Spritzpistole an. Siehe hierzu Anweisungen in Abschnitt 4.4.



GEFAHR EINER FLÜSSIGKEITSINJEKTION
Keine Spritzarbeiten ohne den Düsenschutz durchführen. Den Auslöser der Spritzpistole nur betätigen, wenn der Düsenschutz entweder in der Spritzposition oder in der Position zur Düsenreinigung steht. Den Spritzpistolenauslöser immer verriegeln, bevor die Düse entfernt, ersetzt oder gereinigt wird.

25. Starte Sie den Motor.
26. Drehen Sie den Knopf des Ablassventils in die Position SPRAY (↗).
27. Ziehen Sie den Spritzhebel am Handgriff des Wagens ganz nach hinten, um die Spritzpistole zu betätigen. Testen Sie das Spritzmuster und die Linienposition auf einem langen Stück Dachpappe oder Pappe. Achten Sie auf eine korrekte Linienbreite und Position. Muss die Position der Spritzpistole eingestellt werden, bitte siehe Vorgehensweise zu "Einstellung" weiter oben in diesem Abschnitt.
28. Achten sie darauf, dass die Spritzpistole ganz abgeschaltet ist, wenn der Pistolenabzug losgelassen wird. Muss die Spannung des Abzugs eingestellt werden, siehe Vorgehensweise zur "Einstellung der Abzugsspannung" im Wartungsabschnitt dieses Handbuchs.
29. Beginnen Sie mit der Markierung.
 - a. Positionieren Sie den Linienmarkierer etwas vor dem Markierungspfad.
 - b. Beginnen Sie mit dem Linienmarkierer zu laufen und betätigen Sie den Pistolenabzug am Anfang des Markierungspfades.
 - c. Lassen Sie am Ende des Markierungspfades den Abzug los und laufen Sie, sofern es möglich ist, noch ein bisschen weiter.

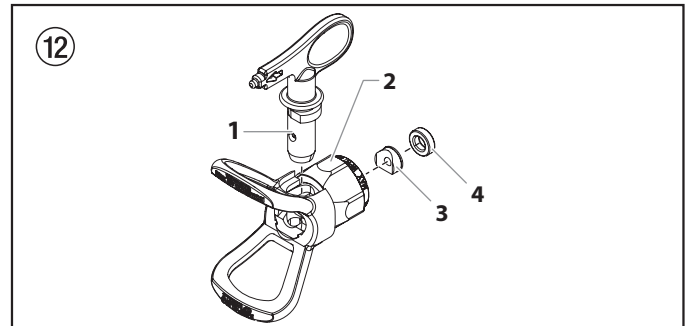


Eine Betätigung der Pistole, nachdem der Linienmarkierer sich bewegt und das Loslassen des Abzugs, bevor der Linienmarkierer stoppt, sorgt für eine ebene Linie vom Anfang bis zum Ende. Endet der Markierungspfad an einem Hindernis, lassen Sie den Abzug sofort los, wenn der Linienmarkierer stoppt.

4.4 Anbringen der Düsenschutzvorrichtung und der Düse

Gehen Sie wie folgt vor, um die Düsenschutzvorrichtung und die Düse an der Spritzpistole anzubringen.

1. Führen Sie den "Vorgehensweise bei Druckentlastung", wie in diesem Handbuch beschrieben ist, durch (Abschnitt 4.5).
2. Mit einem Stift oder einem ähnlichen Gegenstand die Düsendichtung (3) und die Dichtung (4) an der Rückseite des Düsenschutzes (2) einsetzen. Zur endgültigen Einstellung eindrücken.
3. Die Düse (1) in den Schlitz am Düsenschutz einsetzen.



4. Den Düsenschutz in die Spritzpistole einschrauben. Den Düsenschutz in die gewünschte Sprühhaltung stellen und festziehen.



Der Pfeil am Düsengriff muss nach vorn in Sprühhaltung zeigen.

4.5 Vorgehensweise bei Druckentlastung



Bei Außerbetriebnahme des Spritzgeräts die Schritte für die Druckentlastung genau einhalten. Dies gilt auch für die Einstellung von Teilen oder Wartungsarbeiten an Teilen der Spritzanlage, für die Reinigung oder den Wechsel von Sprühdüsen und für die Vorbereitung auf die Reinigung.

1. Sperren Sie die Pistole, indem Sie die Absperrverriegelung in die Position Abgesperrt drehen. Lösen Sie ggf. den Knopf der Pistolenhalterklammer und aktivieren dann die Absperrverriegelung der Spritzpistole.
2. Drehen Sie den DirectLink Druckregler ganz in Uhrzeigersinn auf Minimum.
3. Drehen Sie den Knopf des Ablassventils in die Position PRIME (↻).
4. Schalten Sie das Spritzgerät ab, indem Sie den Abschaltknopf des Motors drücken und halten, bis der Motor abschaltet.
5. Die Spritzpistole entriegeln. Dazu die Verriegelung des Spritzpistolenauslösers in die entriegelte Stellung bringen.
6. Ziehen Sie den Spritzhebel am Handgriff des Wagens ganz nach hinten, um die Spritzpistole zu betätigen und lassen den übrigen Druck aus dem Schlauch.
7. Sperren Sie die Pistole, indem Sie die Absperrverriegelung in die Position Abgesperrt drehen. Lösen Sie ggf. den Knopf der Pistolenhalterklammer und aktivieren dann die Absperrverriegelung der Spritzpistole.

4.6 Reinigung einer verstopften Düse

Wird das Sprühmuster ungenau bzw. tritt keine Farbe mehr aus, obwohl der Abzug betätigt wird, sind die folgenden Schritte zu befolgen.



Achtung

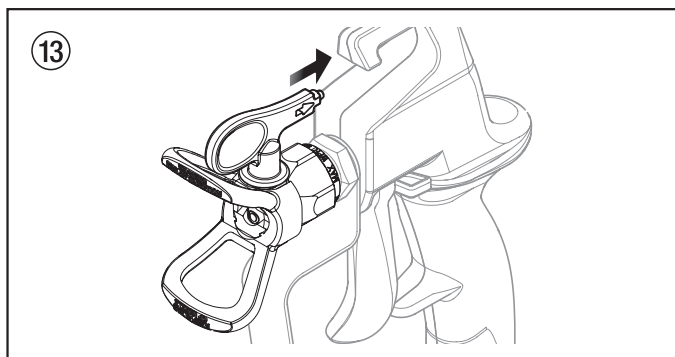
Ziehen Sie NICHT weiter am Spritzhebel, wenn die Spritzdüse verstopft ist. Durch eine weitere Betätigung des Hebels mit einer verstopften Düse wird die Einheit unter zu hohen Druck gesetzt, wodurch diese abgeschaltet wird.



Achtung

Versuchen Sie nicht, die Spritzpistole von der Pistolhalterung zu entfernen, um die Düse zu reinigen.

1. Legen Sie ein Stück Pappe hin oder stellen einen kleinen Eimer unter die Spritzpistole, um die Farbe aufzufangen.
2. Die Düse um 180° drehen, sodass der Pfeil am Düsengriff entgegen der Sprührichtung zeigt.



Kann die Düse nur schwer gedreht werden, müssen Sie den Druck ablassen, indem Sie 1) den Ablassventilknopf auf PRIME (☉) drehen, 2) die Spritzpistole entsperren und 3) den Spritzhebel drücken. Lassen Sie den Hebel los, sperren die Spritzpistole und versuchen erneut die Düse zu drehen.

3. Achten Sie darauf, dass der Ablassventilknopf auf die Position SPRAY (☾) eingestellt ist. Entsperren Sie die Spritzpistole.
4. Die Spritzpistole kurz auslösen, sodass die Verstopfung durch den Druck beseitigt werden kann.



Achtung

Den Abzug immer nur kurz betätigen, wenn die Düse in der verkehrten Richtung steht.

5. Diesen Schritt wiederholen, bis die Verstopfung der Düse beseitigt ist.



Die Düse darf nicht mit dem Finger gereinigt werden.



Achtung

Verwenden Sie keine Nadel oder einen sonstigen spitzen Gegenstand zur Reinigung der Düse. Das harte Wolframkarbid ist brüchig und kann splintern.

4.7 Düse wechseln

Düsen können bequem entfernt und ersetzt werden, ohne dass die Spritzpistole zerlegt werden muss.

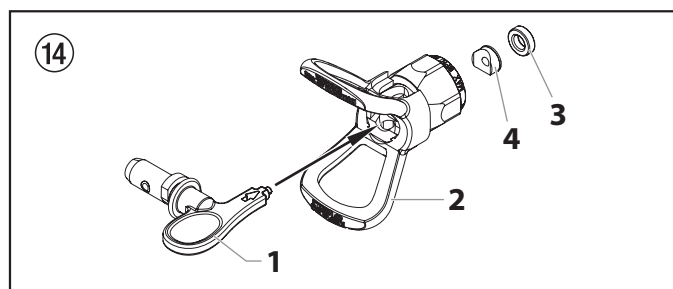


Niemals die Düse oder den Düsenschutz wechseln oder reinigen, wenn das System noch unter Druck steht.

1. Den Druck entsprechend den Anweisungen in der Betriebsanleitung des Spritzgeräts entspannen.
2. Die Düse aus dem Schlitz des Düsenschutzes entfernen.
3. Die neue Düse in den Schlitz am Düsenschutz einsetzen. Der Pfeil am Düsengriff muss nach vorn in Sprührichtung zeigen.

Entfernen der Dichtung und der Düsendichtung

1. Entfernen Sie die Düse von der Düsenschutzvorrichtung.
2. Setzen Sie den Düsengriff durch den vorderen Bereich der Düsenschutzvorrichtung ein.
3. Drücken Sie die Dichtung (3) und die Düsendichtung (4) durch den hinteren Bereich der Düsenschutzvorrichtung heraus.



Festlegung der Düsengrößen

Um die Düsengrößen festzulegen, verwenden Sie die folgende Formel. Es wird eine Düsengröße "417" für dieses Beispiel verwendet.

Die erste Ziffer entspricht der Größe des Sprühbildes in einem Abstand von 6" (15 cm) von der Arbeitsfläche:

$$4 = 4" (10 \text{ cm}) \text{ Sprühbild}$$

Die beiden anderen Ziffern geben den Durchmesser der Düsenöffnung an:

$$17 = .017" (0,043 \text{ mm}) \text{ Düsenöffnung}$$



Verschlissene Spritzdüsen haben ein schlechteres Sprühbild und führen zu schlechterer Oberflächenqualität, geringerer Produktivität und Vergeudung von Farbe bzw. Lack. Verschlissene Düsen sofort ersetzen.

4.8 Schablonieren

Um mit diesem Linienmarkierungsgerät zu schablonieren, müssen Sie mit der Spritzpistole, die an der Pistolenhalterung befestigt ist, mehrere Male von rechts nach links über die Schablone sprühen bzw. kann die Spritzpistole entfernt und unabhängig vom Markierungsgerät verwendet werden.

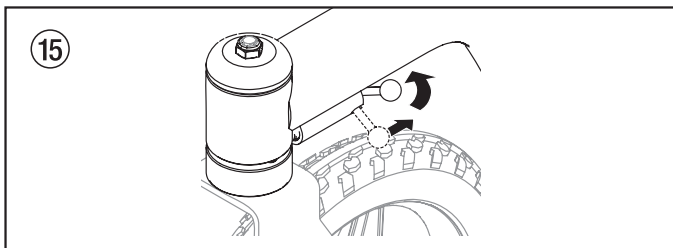
Um die Spritzpistole zu entfernen:

1. Führen Sie den Druckentlastungsvorgang durch, der im Abschnitt über den Betrieb in diesem Handbuch beschrieben ist.
2. Lösen Sie oben auf dem Pistolenhalter den Drehknopf des Pistolenhalterungsblocks.
3. Schieben Sie die Spritzpistole aus dem Pistolenhalter.

4.9 Den Frontalsprüher bedienen

Die vordere Lenkrolle am Wagen ist so konzipiert, dass diese das Spritzgerät entweder eine gerade Linie bzw. eine individuelle Linie, fahren lässt. Einstellung der vorderen Lenkrolle:

1. Ziehen Sie den Griff an der Seite der Lenkrolle hoch und zurück, um die Rolle für eine individuelle Linie zu lösen.
2. Um die Rolle wieder festzumachen, ziehen Sie den Griff nach unten. Sobald die vordere Lenkrolle wieder gerade ist, rastet die Sperre wieder ein.



5. Reinigung



Achtung

Das Spritzgerät, der Schlauch und die Spritzpistole müssen jeden Tag gründlich gereinigt werden. Geschieht dies nicht, kann sich die Farbe absetzen und die Leistung des Gerätes erheblich beeinträchtigen.



Immer mit möglichst niedrigem Druck sprühen, wenn der Düsenschutz der Spritzpistole abgebaut ist und das Spritzgerät, der Schlauch oder die Spritzpistole mit Spiritus oder anderen Lösungsmittel gereinigt werden. Elektrostatische Aufladungen können zu Bränden oder Explosionen führen, wenn entzündliche Dämpfe vorhanden sind.

5.1 Besondere Reinigungshinweise bei Verwendung entflammbarer Lösungsmittel

- Die Spritzpistole stets im Freien und möglichst eine Schlauchlänge von der Sprühpumpe entfernt spülen.
- Werden die zur Spülung verwendeten Lösungsmittel in einem Metallbehälter von etwa 4 l Fassungsvermögen aufgefangen, diesen in einen Behälter mit einem Fassungsvermögen von etwa 20 l stellen und erst dann weiter spülen.
- Im Arbeitsbereich dürfen sich keine entzündlichen Dämpfe sammeln.
- Alle Reinigungshinweise beachten.

5.2 Reinigung des Spritzgeräts

1. Die in dieser Bedienanleitung im Abschnitt Betrieb beschriebenen Schritte zur „Druckentlastung“ ausführen (Abschnitt 4.5).
2. Düse und Düsenschutz abbauen und mit einem Pinsel und einem geeigneten Lösungsmittel reinigen.
3. Platzieren Sie das Ansaugrohr in einen Behälter mit einem geeigneten Lösungsmittel (siehe Empfehlungen des Materialherstellers). Ein Beispiel für ein geeignetes Lösungsmittel ist Wasser für Latexfarbe.
4. Den Ablassschlauch in einen Metallabfallbehälter hängen.
5. Drehen Sie den Knopf des Ablassventils in die Position PRIME (☉).
6. Starte Sie den Motor.
7. Drehen Sie den DirectLink Druckregler gegen den Uhrzeigersinn, um den Druck zu erhöhen, bis Flüssigkeit aus dem Rücklaufschlauch kommt. Erhöhen Sie den Druck nur soweit, bis die Flüssigkeit stetig herausfließt.
8. Lassen Sie die Flüssigkeit durch das Spritzgerät laufen und spülen die Farbe aus dem Rücklaufschlauch in den Abfallbehälter aus Metall.
9. Schalten Sie das Spritzgerät ab, indem Sie den Abschaltknopf des Motors drücken und halten, bis der Motor abschaltet.
10. Stellen Sie einen Abfallbehälter aus Metall unter die Spritzpistole, um das Lösungsmittel aufzufangen.
11. Starte Sie den Motor.
12. Drehen Sie den Knopf des Ablassventils in die Position SPRAY (☽).
13. Drehen Sie den DirectLink Druckregler langsam gegen den Uhrzeigersinn, um den Druck zu erhöhen.
14. Ziehen Sie den Spritzhebel am Handgriff des Wagens ganz nach hinten. Die Flüssigkeit beginnt durch den Spritzschlauch und aus der Pistole zu fließen.
15. Betätigen Sie weiterhin den Spritzhebel am Handgriff des Wagens, bis das Material aus dem Schlauch gespült wurde und das Lösungsmittel, das aus der Pistole kommt, sauber ist.
16. Lassen Sie den Spritzhebel los.



Bei einer langfristigen Lagerung bei kaltem Wetter oder bei Aussetzung gegenüber Gefriertemperaturen, pumpen Sie Lösungsbenzin durch das gesamte System. Bei einer kurzfristigen Lagerung, die bei Verwendung von Latexfarbe keinen Gefriertemperaturen ausgesetzt ist, pumpen Sie mit Titan Liquid Shield gemischtes Wasser durch das gesamte System (Anweisungen zur Verdünnung finden Sie im Abschnitt Zubehör in diesem Handbuch für die Teilenummer und das Produktetikett).

17. Befolgen Sie das „Druckentlastungsverfahren“ im Abschnitt 4.5 dieses Handbuchs.
18. Bewahren Sie das Gerät an einem sauberen, trockenen Ort auf.



Achtung

Gerät nicht unter Druck lagern.



Achtung

Hochdruckschlauch nicht in Lösemittel einlegen. Außenseite nur mit einem getränkten Tuch abwischen.

5.3 Besondere Reinigung



Gehen Sie wie folgt vor, nur nachdem Sie Materialien auf Wasserbasis gespült haben.

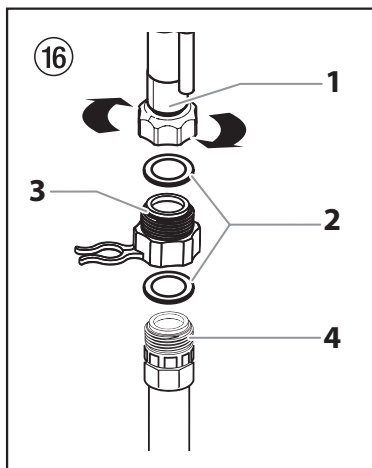
Gehen Sie wie folgt vor, wenn die Ventile des Spritzgeräts verstopft sind bzw. wenn Sie das Spritzgerät für eine langfristige Lagerung vorbereiten. Es muss ggf. ein Pumpenreinigungsadapter, der am unteren Teil des Siphonschlauchs angeschlossen wird, verwendet werden (der Pumpenreinigungsadapter wird mit dem Spritzgerät geliefert).

1. Sperren Sie die Pistole und entfernen Sie die Baugruppe Spritzdüse. Lösen Sie ggf. den Griff der Pistolenthalterklammer und betätigen dann die Absperrvorrichtung der Spritzpistole. Bringen Sie die Spritzpistole in ihre ursprüngliche Position und ziehen den Griff der Klammer fest. Legen Sie den Saug- und den Rücklaufschlauch in einen leeren Abfallbehälter.

2. Spülen Sie mit einem Gartenschlauch den Siphonschlauch (1), den Rücklaufschlauch und den Einlassfilter ab. Leere Sie den Abfallbehälter.

3. Entfernen Sie den Einlassfilter vom Saugschlauch und legen diesen in einen Abfallbehälter.

4. Überprüfen Sie, ob sich die Dichtungen (2) im Adapter (3) und Siphonschlauch befinden. Schrauben Sie den Pumpenreinigungsadapter auf einen Gartenschlauch (4). Schließen Sie den Schlauch und den Adapter an den Anschluss am Ende des Siphonschlauchs an.



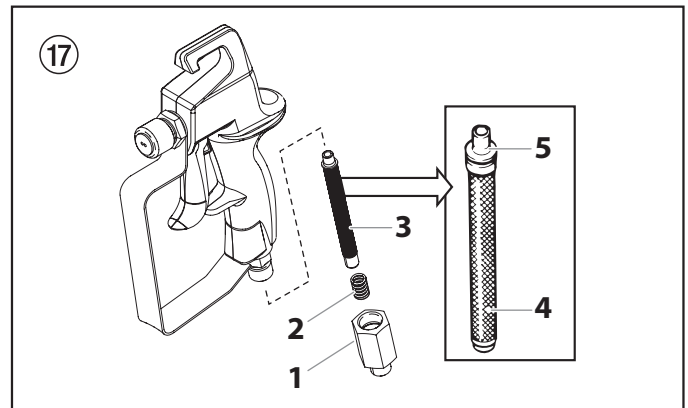
5. Lösen Sie den Rücklaufschlauch vom Siphonschlauch und legen diesen in den Abfallbehälter.
6. Drehen Sie den Knopf des Ablassventils in die Position PRIME (☉).
7. Drehen Sie die Wasserzufuhr auf.
8. Starten Sie den Motor. Das Wasser fließt in den Siphonschlauch und raus durch den Rücklaufschlauch. Lassen Sie das Spritzgerät einige Minuten laufen, damit der Rücklaufschlauch durchgespült wird.
9. Schalten Sie das Spritzgerät ab, indem Sie den Abschaltknopf des Motors drücken und halten, bis der Motor abschaltet.
10. Stellen Sie einen Abfallbehälter aus Metall unter die Spritzpistole, um die Reinigungslösung aufzufangen.
11. Starte Sie den Motor.
12. Drehen Sie den Knopf des Ablassventils in die Position SPRAY (☞).
13. Drehen Sie den DirectLink Druckregler langsam gegen den Uhrzeigersinn, um den Druck zu erhöhen.
14. Ziehen Sie den Spritzhebel am Handgriff des Wagens ganz zurück, um die Drehzahl des Motors zu erhöhen, das Spritzgerät unter Druck zu setzen und die Spritzpistole zu betätigen. Die Flüssigkeit beginnt durch den Spritzschlauch zu fließen und tritt aus der Pistole.

15. Betätigen Sie weiterhin den Spritzhebel am Handgriff des Wagens, bis das Material aus dem Schlauch gespült wurde und das Lösungsmittel, das aus der Pistole kommt, sauber ist.
16. Lassen Sie den Spritzhebel los.
17. Befolgen Sie das „Vorgehensweise bei Druckentlastung“ im Abschnitt 4.5 dieses Handbuchs.

5.4 Reinigung/Auswechseln des Pistolenfilters

Der Pistolenfilter muss jedes Mal gereinigt werden, wenn das Spritzgerät verwendet wurde. Werden dickflüssigere Materialien für das Spritzen verwendet, muss das Filter ggf. häufiger gereinigt werden.

1. Führen Sie den Druckentlastungsvorgang durch, der im Abschnitt über den Betrieb in diesem Handbuch beschrieben ist.
2. Schrauben Sie mithilfe eines verstellbaren Schraubenschlüssels den Anschluss (1) vom unteren Teil der Spritzpistole ab; achten Sie dabei darauf, dass Sie die Feder nicht verlieren (2).
3. Entfernen Sie den Filter (3) vom Gehäuse der Spritzpistole und reinigen diese mit der geeigneten Reinigungslösung (warmes Seifenwasser für Latexfarben, Spiritus für Materialien auf Ölbasis).
4. Überprüfen Sie den Filter auf Löcher (4). Tauschen Sie diesen aus, wenn Sie Löcher finden.



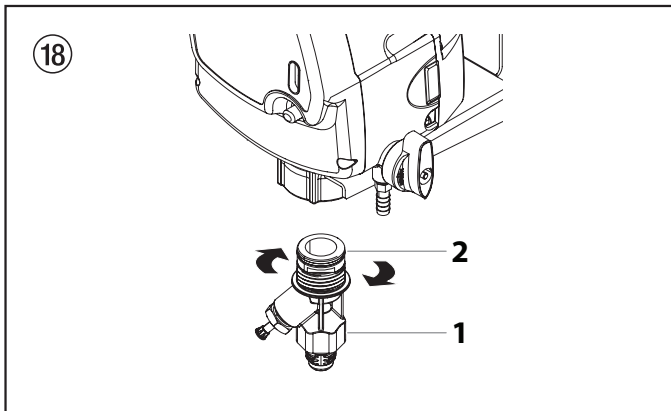
Gehen Sie niemals mit scharfen Gegenständen an den Filter!

5. Setzen Sie den gereinigten Filter mit dem konischen Ende zuerst (5) in das Pistolengehäuse ein. Das konische Ende muss korrekt in die Pistole eingesetzt werden. Ein nicht ordnungsgemäßer Zusammenbau führt zu einer verstopften Düse bzw. fließt kein Material aus der Pistole.
6. Bauen Sie die Spritzpistole wieder zusammen.

5.5 Reinigung der Baugruppe Sureflo™ Ventil

Ggf. kann die Reinigung bzw. Wartung des Sureflo Ventils erforderlich werden, wenn die Einheit Ansaugprobleme hat.

1. Entfernen Sie den Siphonschlauch.
2. Schrauben Sie die Baugruppe Einlassventil vom Spritzgerät ab. Überprüfen Sie die Baugruppe Sureflo Ventil visuell innen und außen (1). Beseitigen Sie Farbreste mit einer geeigneten Reinigungslösung
3. Schmiere Sie den O-Ring (2) auf dem Sureflo Ventil mit Industrie-Vaseline. Tauschen Sie die Baugruppe Sureflo Ventil aus, indem Sie diesen in das Spritzgerät schrauben. Ziehen Sie diesen mit einem Drehmoment von 32–38 ft./lbs fest.
4. Tauschen Sie den Siphonschlauch aus und ziehen diesen gut fest.



Wenn die Probleme beim Ansaugen weiterhin bestehen, müssen Sie ggf. das Sureflo Ventil austauschen. Setzen Sie sich mit dem technischen Kundenservice in Verbindung, um eine neue Baugruppe Sureflo Ventil zu bestellen.

6. Unterhalt



Bevor Sie fortfahren, befolgen Sie die Richtlinien zum Druckentlassungsablauf, wie vorherig in diesem Handbuch beschrieben. Dazu befolgen Sie alle anderen Warnungen, um das Risiko einer Injektionsverletzung, Verletzungen verursacht durch bewegende Teile oder Elektroschock zu vermeiden.

6.1 Einstellung der Abzugsspannung

Gehen Sie wie folgt vor, um die Federspannung des Abzugshebels an der Baugruppe Pistolenhalter einzustellen. Der Abzugshebel betätigt den Pistolenabzug, wenn dieser über den Abzugshebel am Wagen betrieben wird. Die geeignete Spannung gewährleistet, dass die Pistole abschaltet, wenn der Pistolenabzug losgelassen wird.



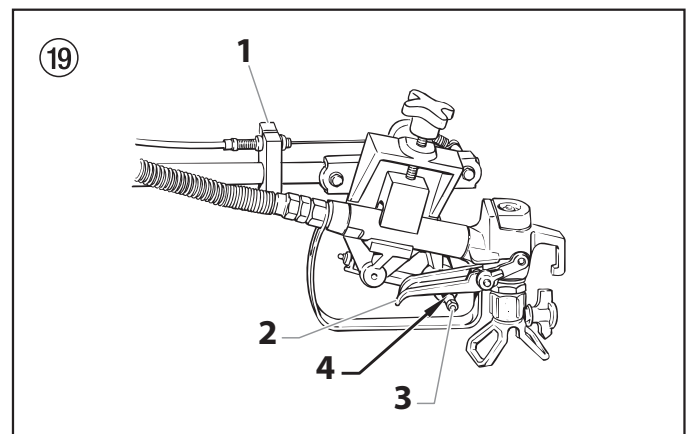
Achtung

Die Abzugssperre an der Spritzpistole muss stets aktiviert sein, wenn Einstellungen am System vorgenommen werden. Lösen Sie ggf. den Knopf des Pistolenklammerhalters und aktivieren die Abzugssperre der Spritzpistole. Bringen Sie die Spritzpistole in ihre ursprüngliche Position und ziehen den Knopf der Klammer fest.



Bevor Sie fortfahren, muss der Prozess für den Druckablass, der weiter oben in diesem Handbuch dargelegt ist, durchgeführt werden.

1. Lösen Sie mithilfe eines 14-mm-Sechskantschlüssels die Sechskantschraube auf dem Kabelblock (1).
2. Bewegen Sie den Kabelblock in die entsprechende Richtung, sodass der Abzug der Spritzpistole (2) und der Abzugshebel (3) vor dem Öffnen der Spritzpistole maximal 0,8mm bewegt werden.
 - a. Drückt der Abzugshebel auf den Abzug und öffnet die Spritzpistole, schieben Sie den Kabelblock in Richtung der Pistole, bis der Abzug in die normale Position gelangt. Achten Sie darauf, dass der Abzugshebel immer noch bündig (4) ist mit dem Abzug.
 - b. Gibt es eine Spalte zwischen dem Abzugshebel und dem Spritzpistolenhebel, schieben Sie den Kabelblock von der Pistole weg.



6.2 Wartung des Motors



Genauere Angaben zum Motor und zur Wartung entnehmen Sie bitte dem Handbuch, das diesem Spritzgerät beigelegt ist.

Regelmäßige Motorwartung

Täglich

- Prüfen und befüllen Sie den Benzintank.
- Nach den ersten 20 Betriebsstunden, nehmen Sie einen Ölwechsel vor. Prüfen Sie den Ölstand des Motors und füllen Sie eventuell Öl nach.

Wöchentlich

- Entfernen Sie die Abdeckung des Luftfilters und reinigen Sie diesen. Tauschen Sie ihn falls nötig aus. Falls Sie in einer ungewöhnlich staubigen Umgebung arbeiten, sollte der Filter täglich geprüft und, falls notwendig, ausgetauscht werden. (Ersatzteile können bei Ihrem Titanhändler vor Ort gekauft werden).
- Nach jeweils 50 Betriebsstunden: Ölwechsel vornehmen.

6.3 Notausschalter

Der Notausschalter wird werkseitig voreingestellt und schaltet das Spritzgerät ab, um einen Überdruck zu vermeiden. Versuchen Sie nicht den Notausschalter einzustellen bzw. zu sabotieren. Kontaktieren Sie einen autorisierten Kundenservice, wenn dieser neu eingestellt werden muss.



Der Notausschalter kann so eingestellt werden, dass er die Spritzanlage zwischen einem Druck von 3200 bis 3300 PSI abschaltet.

6.4 Hochdruckschlauch

Hochdruckschlauch optisch auf eventuell vorhandene Einschnitte oder Ausbeulungen, insbesondere am Übergang in die Armatur, prüfen. Überwurfmuttern müssen sich frei drehen lassen.



Bei alten Hochdruckschläuchen steigt das Risiko von Beschädigungen. Titan empfiehlt den Hochdruckschlauch nach 6 Jahren auszutauschen.

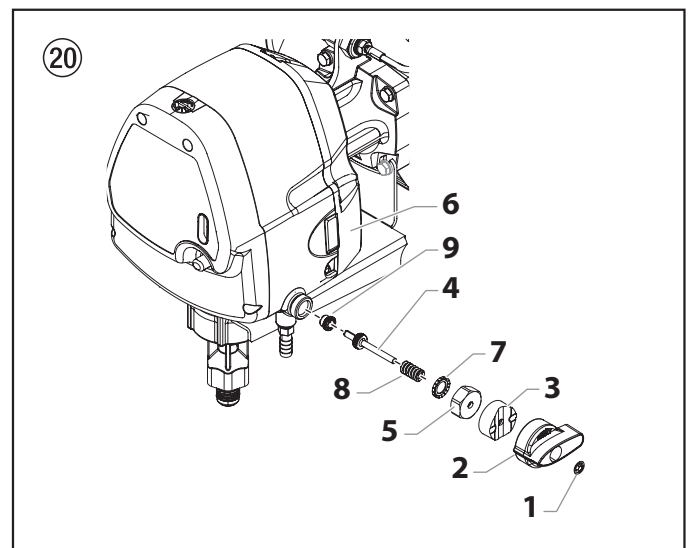
6.5 Auswechseln des Ablassventils

Befolgen Sie die folgende Vorgehensweise und verwenden Sie den Ablassventil-Austausch-Kit P/N 759-380.



Bevor Sie fortfahren, befolgen Sie die Richtlinien zum Druckentlassungsablauf, wie vorherig in diesem Handbuch beschrieben. Dazu befolgen Sie alle anderen Warnungen, um das Risiko einer Injektionsverletzung, Verletzungen verursacht durch bewegende Teile oder Elektroschock zu vermeiden.

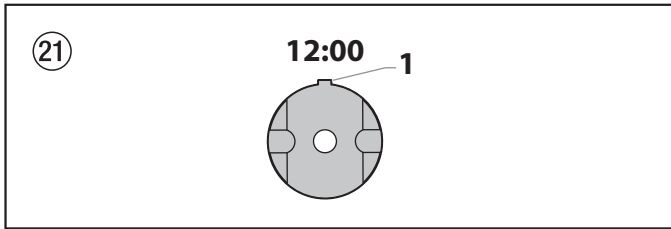
1. Entfernen Sie die Halterklammer (1) aus dem Inneren des versenkten Teils des Ventilknopfs (2). Entfernen Sie den Ventilknopf.
2. Schieben Sie die Nocke (3) von der Baugruppe Schaft/ Kugel (4).
3. Entfernen Sie mit einem Sechskantschlüssel die Sechskantmutter (5) vom Pumpenkopf (6).
4. Entfernen Sie die Zahnscheibe (7), Feder (8) sowie die Baugruppe Schaft/ Kugel (4) vom Pumpenkopf.
5. Entfernen Sie mithilfe eines 6-mm-Sechskantschlüssels die Baugruppe Schaft/ Kugel (9) vom Pumpenkopf.



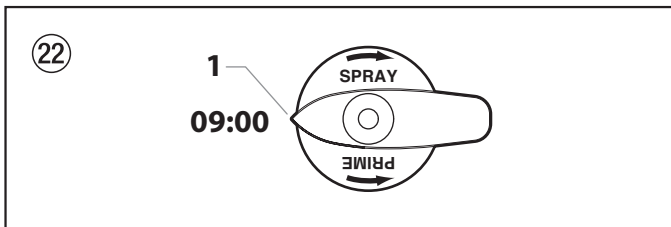
6. Ziehen Sie die neue Baugruppe Schaft/ Kugel (9) im Pumpenkopf fest. Verwenden Sie einen 6-mm-Sechskantschlüssel. Ziehen Sie diesen mit einem Drehmoment von 6-8 ft.-lbs fest.
7. Verwenden Sie ein leicht einfettendes Hydrauliköl um den O-Ring auf dem neuen Schaft/ auf der neuen Baugruppe Kugel.
8. Drücken Sie die Baugruppe Schaft/ Kugel in den Sitz der Baugruppe Schaft/ Kugel im Pumpenkopf.
9. Setzen Sie die neue Feder und die Klemmscheibe um die Baugruppe Schaft/ Kugel ein.
10. Schieben Sie die nächste Sechskantmutter auf den Schaft der Baugruppe Schaft/Kugel schrauben Sie diese in den Pumpenkopf und ziehen diese mit einem Drehmoment von 12-14 ft.-lbs mit einem Schraubenschlüssel fest.
11. Verwenden Sie ein leicht einfettendes Öl auf der Nocke.
12. Schieben Sie die Nocke auf den Schaft der Baugruppe Schaft/Kugel und über die Sechskantmutter. Aufgrund des Designs der Nocke passt die Sechskantmutter in die Nocke, sodass die Nocke befestigt wird.



Bringen Sie die Nocke auf der Sechskantmutter an, sodass der Positionier-Tab (Abb. 21, Pos. 1) auf der Seite der Nocke so nahe wie möglich zur 12-Uhr-Position steht.



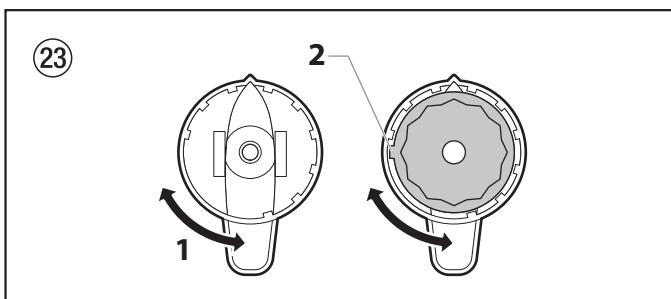
13. Positionieren Sie den neuen PRIME/SPRAY Ventilkopf oberhalb der Nocke mit dem Pfeil auf dem Knopf (Abb. 22, Pos. 1) so nah wie möglich an die 9-Uhr-Position. Achten Sie darauf, dass der Knopf ganz auf der Nocke sitzt (der Knopf sollte die Nocke vollständig bedecken).



Die untere Abbildung 23 zeigt die Rückansicht des Ablassventilkopfes. Mithilfe des Knopfes ist eine Bewegung von 90° zwischen den Positionen SPRAY und PRIME möglich.

Im Inneren des Knopfes befindet sich eine 90°-Öffnung (Abb. 23, Pos. 1) in dem Bereich, wo der Positionier-Tab der Nocke (2) positioniert werden muss, um diese Bewegung zu ermöglichen.

Wird der Knopf mit dem Pfeil in die 9-Uhr-Position gebracht, ist darauf zu achten, dass sich der Positionier-Tab auf der Nocke innerhalb der 90°-Öffnung auf der Innenseite des Knopfes befindet. Achten Sie zudem drauf, dass der Knopf am Ende dessen Bewegung in Uhrzeigersinn ist (das ist die SPRAY Position), bevor dieser Prozess fortgesetzt wird.



14. Drehen Sie den Knopf langsam gegen den Uhrzeigersinn, bis die Unterseite des Knopfes herauskommt, wo dieser bündig ist mit der Unterseite der Nocke (ca. 5-7%)
15. Bringen Sie die Halterklammer über der Baugruppe Schaft/Kugel an, wo der Schaft durch den vertieften Teil des Knopfes passt.

16. Schieben Sie mithilfe eines 8-mm-Steckschlüssels die Klammer mit stetigem, gleichmäßigem Druck in den vertieften Teil des Knopfes, bis es nicht mehr weitergeht.



Achtung

Hämmern bzw. bewegen Sie die Klammer nicht in Position, denn dadurch wird die Klammer beschädigt

17. Drehen Sie den Knopf des Ablassventils in die Position PRIME (↻).
18. Starten Sie das Spritzgerät und lassen Sie Wasser durch das System laufen, um dieses auf Lecks zu überprüfen. Gibt es keine Lecks, ist das Spritzgerät bereit.

6.6 Wartung des Fluidabschnitts

Gehen Sie wie folgt beim Auswechseln der Dichtungen und dem Einsetzen des Fluidabschnitts vor.



Einsatz-Kit P/N 759-365 ist verfügbar. Um ein bestmögliches Ergebnis zu erzielen, verwenden Sie am Besten alle die in diesem Kit mitgelieferten Teile.

Demontage des Fluidabschnitts (Abb. 25)



Bevor Sie fortfahren, befolgen Sie die Richtlinien zum Druckentlassungsablauf, wie vorherig in diesem Handbuch beschrieben. Dazu befolgen Sie alle anderen Warnungen, um das Risiko einer Injektionsverletzung, Verletzungen verursacht durch bewegende Teile oder Elektroschock zu vermeiden.

1. Entferne Sie das Ansaug-Set.
2. Entferne Sie mit einem T20 Torx Kreuzschlitzschraubenzieher die vordere Abdeckung und die drei Schrauben, die diesen Spannstift sichern.
3. Entfernen Sie die Rändelschraube (1) und Unterlegscheibe (2), welche den Spannstift sichert (3). Der Spannstift verbindet den Bügel (4) mit dem Kolben (5).
4. Ziehen Sie mithilfe einer Zange den Spannstift (3) heraus.
5. Drehen Sie die Pumpenwelle soweit, dass der Kolben (9) sich am oberen Totenpunkt (5) befindet. Dies kann erfolgen, indem man den Bügel (4) schiebt. Es müssen alle Teile demontiert werden.
6. Schrauben Sie die Baugruppe Sureflo Ventil (6) ab und entferne diese (siehe Vorgang zur Reinigung des Sureflo Ventils im Abschnitt über die Reinigung in diesem Handbuch).
7. Entfernen Sie die Kolbenbaugruppe, indem Sie den Kolben nach unten in Richtung Bügel drücken.



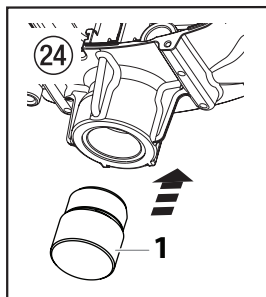
Achtung

Versuchen Sie NICHT die Dichtungen (5a) vom Kolben zu entfernen

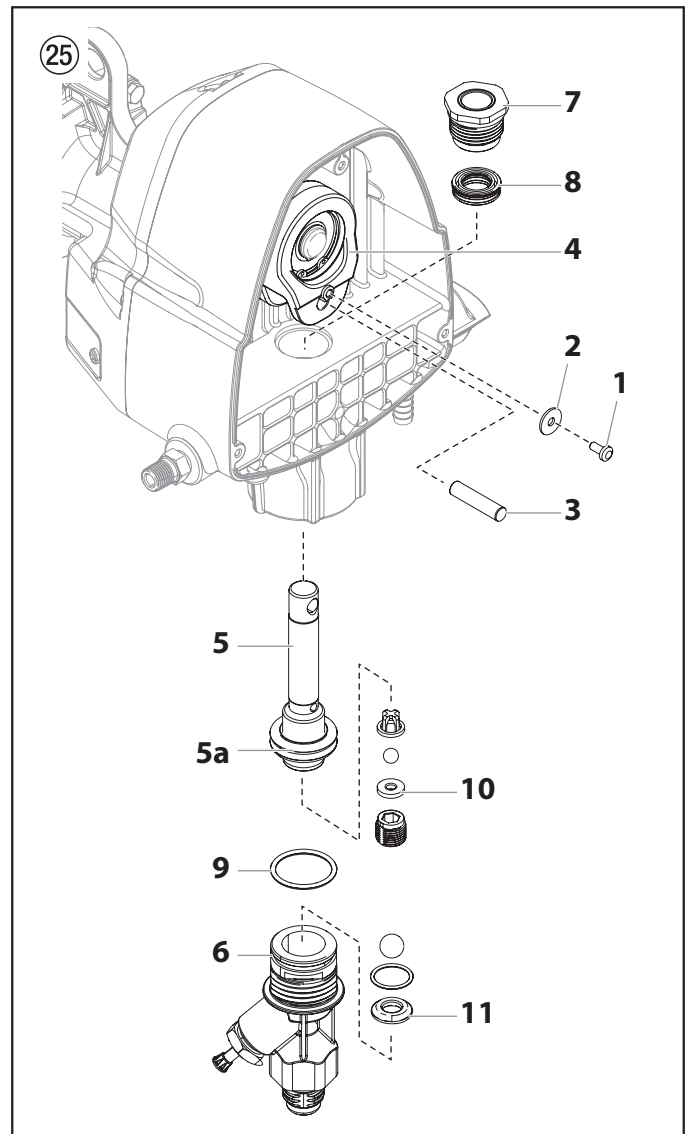
8. Schrauben Sie die obere Mutter (7) mithilfe eines verstellbaren Schraubenschlüssels ab und entfernen diese.
9. Entfernen Sie die abgenutzte Dichtung (8) mithilfe eines Schlitzschraubendrehers. Entfernen Sie die obere Dichtung vom oberen Teil, indem Sie gegen die Seite der Dichtung drücken und diese herauspringt. Achten Sie darauf nicht das Gehäuse, wo die Dichtungen sitzen, zu verkratzen.
10. Reinigen Sie den Bereich, wo die neuen Dichtungen angebracht werden.

Montage des Fluidabschnitts

1. Schmieren Sie die neue obere Dichtung (8) mit Piston Lube (P/N 314-480) bzw. einem leichten Haushaltsöl und setzen die Dichtung manuell mit der konkaven Seite der Dichtung nach unten in den obere Anschluss des Gehäuses.
2. Geben Sie eine kleine Menge Anti-Seize auf die Gewinde der oberen Mutter. Setzen Sie die obere Mutter oben in das Gehäuse ein und ziehen diese mit einem einstellbaren Schraubenschlüssel fest. Dadurch gelangt die obere Dichtung in die korrekte Position.
3. Schmieren Sie die Dichtung auf der Baugruppe Kolben/Dichtung ähnlich wie bei der oberen Dichtung. Setzen Sie die Baugruppe Kolben/Dichtung in den unteren Teil des Gehäuses ein. Setzen Sie das Einbauwerkzeug (Abb. 24, Pos. 1) ein und schieben diese in Position, um den Kolben/ die Dichtung korrekt zu positionieren. Entfernen Sie das Einbauwerkzeug.



4. Montieren Sie den neuen O-Ring (9) auf der Baugruppe Sureflo Ventil, schmieren diesen mit Piston Lube (P/N 314-480), schrauben diesen in den unteren Teil (Einlass) in das Gehäuse und ziehen diesen mit einem einstellbaren Schraubenschlüssel fest. So gelangt die untere Dichtung in die korrekte Position.
5. Richten Sie den Kolben mit dem Bügel aus. Achten Sie darauf, nicht den Kolben zu beschädigen.
6. Tragen Sie jeglich Art von Haushaltsfett ohne Silikon auf den Kolben und den Bügelbereich auf, um die Lebensdauer zu verlängern. Tragen Sie diese in die Öffnungen im Bügelbereich auf, wo der Stift eingesetzt wird.
7. Montieren Sie den Spannstift, um den Bügel mit dem Kolben zu verbinden. Der Kolben muss ggf. nach oben bzw. unten bewegt werden, um auf den Bügel ausgerichtet zu werden.
8. Setzen Sie die Bügelschraube und die Unterlegscheibe ein, um den Spannstift zu sichern.
9. Drehen Sie die rechte Seite der Pumpe nach oben und bringen Sie einige Tropfen Kolbensmierzöl bzw. leichtes Haushaltsöl zwischen der oberen Mutter und dem Kolben an. Dadurch wird die Lebensdauer der Dichtung verlängert.
10. Montieren Sie die vordere Abdeckung und die drei (3) Schrauben.
11. Setzen Sie das Sureflo Ventil ein und bauen die Sauggarnitur ein.
12. Schalten Sie das Spritzgerät unter Berücksichtigung der Vorgehensweise im Abschnitt "Betrieb" dieses Handbuchs ein und überprüfen Sie es auf Lecks.



7. Fehlerbehebung

Art der Störung	Mögliche Ursache	Maßnahme zur Behebung der Störung
A. Das Gerät läuft nicht.	<ol style="list-style-type: none"> 1. Das Druckniveau ist zu niedrig eingestellt. 2. Kabel beschädigt oder locker. 3. Der Benzintank ist leer. 	<ol style="list-style-type: none"> 1. Drehen Sie den DirectLink Druckregler langsam gegen den Uhrzeigersinn, um den Druck zu erhöhen. 2. Gerät überprüfen oder zu befugten Dienstleistungsbetrieb bringen. 3. Füllen Sie den Benzintank.
B. Das Gerät saugt nicht an	<ol style="list-style-type: none"> 1. Das Ablassventil ist in der SPRAY-Position. 2. Luftleck im Ansaugrohr/Ansaugsystem 3. Der Einlassfilter ist verstopft. 4. Ansaugrohr/Ansaugsystem ist verstopft 5. Das Sureflo-Ventil ist trocken. 6. Die Kugel des Sureflo-Ventils steckt fest. 	<ol style="list-style-type: none"> 1. Drehen Sie das Ablassventil in Uhrzeigersinn in die Position PRIME. 2. Prüfen Sie die Verbindung Ansaugrohr/Ansaugsystem und ziehen Sie es an oder ersetzen Sie es, falls beschädigt. 3. Entfernen Sie den Einlassfilter und reinigen Sie diesen. 4. Ansaugrohr/Ansaugsystem entfernen und reinigen 5. Spritzen Sie Piston Lube™ in den Sureflo Ventil. 6. Während der Motor läuft, drücken sie den Kolben ganz nach unten, damit die Einlasskugel ganz frei ist.
C. Kein Druck wird im Gerät aufgebaut oder gehalten.	<ol style="list-style-type: none"> 1. Die Spritzdüse ist abgenutzt. 2. Die Spritzdüse ist zu groß. 3. Der Pistolenfilter bzw. der Einlassfilter ist verstopft. 4. Das Material fließt vom Rücklaufschlauch, wenn das Ablassventil in der SPRAY-Position ist 5. Luftleck im Ansaugrohr/Ansaugsystem 6. Es besteht ein externes Flüssigkeitsleck. 7. Es gibt ein Leck im internen Fluidabschnitt (Dichtungen sind verschlissen und/oder schmutzig, Ventilkugeln sind abgenutzt). 8. Die Ventilsitze sind verschlissen (abb. 25, pos 10, 11). 	<ol style="list-style-type: none"> 1. Spritzdüse gemäß Spritzpistolenanleitungen ersetzen. 2. Tauschen Sie gemäß der Anweisungen im Handbuch die Spritzdüse durch eine Düse aus, die eine kleinere Öffnung hat. 3. Der Pistolenfilter bzw. Einlassfilter ist verstopft. 4. Reinigen Sie das Ablassventil bzw. tauschen diesen aus. 5. Prüfen Sie die Verbindung Ansaugrohr/Ansaugsystem und ziehen Sie es an oder ersetzen Sie es, falls beschädigt. 6. Alle Anschlüsse auf Lecks und undichte Stellen prüfen. Anschlüsse falls nötig festziehen. 7. Ventile reinigen und Flüssigkeitssystem gemäß Flüssigkeitssystempflegelanleitungen im Wartungskapitel dieser Anleitung behandeln. 8. Ventilsitz gemäß Anweisungen im Kapitel Wartung dieser Anleitung umdrehen oder ersetzen.
D. Es gibt flüssigkeitsleck im oberen Bereich der Pumpe	<ol style="list-style-type: none"> 1. Die Oberdichtungen sind verschlissen. 2. Die Kolbenstange ist verschlissen. 	<ol style="list-style-type: none"> 1. Erneuern Sie die Dichtungen der Pumpe gemäß dem Verfahren „Wartung der Farbstufe“ im Wartungsabschnitt dieses Handbuchs. 2. Tauschen Sie die Kolbenstange gemäß dem Verfahren „Wartung der Farbstufe“ im Wartungsabschnitt dieses Handbuchs aus.
E. Übermäßige Vibrationen an der Spritzpistole	<ol style="list-style-type: none"> 1. Der falsche Airless Spritzschlauch wurde eingesetzt 2. Die Spritzdüse ist verschlissen oder zu groß. 3. Übermäßiger Druck. 	<ol style="list-style-type: none"> 1. Schlauch durch textilumflochtenen und geerdeten Airless Schlauch mit mindestens 15 m Länge und 6,35 mm Durchmesser ersetzen. Aus Gründen der Funktion, Sicherheit und Lebensdauer nur Titan Original-Hochdruckschläuche verwenden. 2. Tauschen Sie die Spritzdüse gemäß der Anweisungen in diesem Handbuch aus. 3. Drehen Sie den DirectLink Druckregler langsam in Uhrzeigersinn, um den Druck zu senken.
F. Schlechtes Spritzbild.	<ol style="list-style-type: none"> 1. Die Spritzdüse ist zu groß für das verwendete Spritzmaterial. 2. Falsche Druckniveaueinstellung. 3. Mangelhafter Materialfluß 4. Das verwendete Spritzmaterial ist zu dickflüssig. 	<ol style="list-style-type: none"> 1. Tauschen Sie gemäß der Anweisungen im Handbuch die Spritzdüse durch eine Düse aus, die eine kleinere Öffnung hat. 2. Drehen Sie den DirectLink Druckregler soweit, bis das gewünschte Spritzmuster erreicht wurde. 3. Alle Filtersiebe und -einheiten reinigen. 4. Spritzmaterial gemäß Herstellerempfehlungen verdünnen.
G. Das Gerät hat nicht die benötigte Kraft.	<ol style="list-style-type: none"> 1. Die Druckniveaueinstellung ist zu niedrig. 	<ol style="list-style-type: none"> 1. Gehen Sie zu einem autorisierten Kundendienst.

Attention!

Danger de blessure par injection de produit!

Les groupes "Airless" produisent des pressions de projection extrêmement élevées.

**1**

Ne jamais exposer les doigts, les mains ou d'autres parties du corps au jet!

Ne jamais diriger le pistolet vers soi, vers d'autres personnes ou vers des animaux.

Utiliser toujours le pistolet muni de sa protection.

Ne traitez pas une blessure par injection comme simple coupure.

En cas de blessure de la peau par l'injection de peintures ou de solvants, consultez sans retard un médecin. Renseignez le médecin sur la nature de la peinture ou du solvant utilisés.

2

Avant toute mise en service, respecter les points suivants conformément aux instructions de service:

1. Ne jamais utiliser un équipement défectueux.
2. Verrouiller le pistolet Titan par le levier de sécurité à la gâchette.
3. Assurer la mise à la terre correcte.
4. Vérifier et respecter les pressions admissibles pour le flexible et le pistolet.
5. Contrôler l'étanchéité de tous les raccords.

3

Respecter sans faute les instructions relatives au nettoyage et à l'entretien réguliers du matériel.

Avant toute intervention sur le matériel et pendant chaque interruption de travail, observer les règles suivantes:

1. Evacuer la pression du pistolet et du flexible.
2. Verrouiller le pistolet Titan par le levier de sécurité à la gâchette.
3. Arrêter le groupe.

Ne négligez pas la sécurité!

Contenu

	Page		Page
1. Prescriptions de sécurité pour la projection Airless	46	5. Nettoyage	59
1.1 Explication des symboles utilisés.....	46	5.1 Consignes spéciales de nettoyage lors de l'utilisation du pistolet avec des solvants inflammables	59
1.2 Sécurité du moteur à essence	49	5.2 Nettoyage du pulvérisateur	59
1.3 Ravitaillement (moteur à essence)	50	5.3 Nettoyage spécial	60
2. Généralités d'utilisation	51	5.4 Nettoyage/remplacement du filtre du pistolet	60
2.1 Domaines d'utilisation	51	5.5 Nettoyage de la soupape SurefloMC.....	61
2.2 Produits de revêtement	51	6. Entretien	61
3. Description du matériel	51	6.1 Réglage de la tension de la détente	61
3.1 Le procédé Airless	51	6.2 Entretien du moteur	62
3.2 Fonctionnement du matériel	51	6.3 Commutateur d'arrêt de sécurité	62
3.3 Illustration	52	6.4 Tuyau à haute pression.....	62
3.4 Caractéristiques techniques	53	6.5 Remplacement de la soupape de retour.....	63
3.5 Commandes de l'opérateur	53	6.6 Entretien de la section des liquides	64
4. Fonctionnement	54	7. Dépannage	65
4.1 Installation.....	54	Accessoires et pièces de rechange	66
4.2 Préparation avant de peindre	55	Liste des pièces de rechange ensemble principal.....	66/67
4.3 Peinture.....	56	Liste des pièces de rechange ensemble moteur	68/69
4.4 Installation du protège-embout et de la buse	57	Liste des pièces de rechange ensemble de chariot	70/71
4.5 Procédure de décharge de pression.....	57	Liste des pièces de rechange pour l'ensemble de support à pistolet.....	72/73
4.6 Nettoyage d'une buse bouchée.....	58	Liste des pièces de rechange pour le pistolet.....	74
4.7 Changement d'une buse de pulvérisation.....	58	Schéma électrique	75
4.8 Méthode du pochoir.....	59	Accessoires pour groupes PowrLiner 850	76
4.7 Fonctionnement de la roulette avant	59	Buses de rayage TR ¹	76
		Tableau de buse de rayage TR ¹	78
		Garantie	80

1. Prescriptions de sécurité pour la projection Airless

1.1 Explication des symboles utilisés

Veillez lire et être sûr de comprendre toutes les informations contenues dans ce manuel avant d'utiliser l'appareil. Lorsque vous pénétrez dans une zone qui contient les symboles suivants, soyez particulièrement vigilant et vérifiez que les systèmes de sécurité sont bien installés.

	Ce symbole indique un risque potentiel pouvant entraîner des blessures graves ou même mortelles. Vous trouverez ci-après d'importantes consignes de sécurité.
	Ce symbole indique un risque potentiel pour vous ou pour l'appareil. D'importantes informations sur la manière d'éviter tout dommage de l'équipement ou d'éviter des blessures légères sont indiquées ci-après.
	Danger de blessure par injection de produit
	Danger d'incendie
	Risque d'explosion
	Vapeurs toxiques et/ou inflammables. Danger d'intoxication et de brûlure
	Les notes contiennent des informations qui doivent être consciencieusement respectées.



RISQUE : Blessure par projection

Un courant de liquide à haute pression produit par cet équipement peut percer la peau et les tissus sous-cutanés, et entraîner des blessures graves ou une amputation.

Ne traitez pas une blessure par injection comme simple coupure. En cas de blessure de la peau par l'injection de peintures ou de solvants, consultez sans retard un médecin. Renseignez le médecin sur la nature de la peinture ou du solvant utilisés.

PRÉVENTION :

- NE dirigez JAMAIS le pistolet vers une partie du corps, quelle qu'elle soit.
- NE laissez JAMAIS une partie du corps entrer en contact avec le flux de liquide. NE laissez JAMAIS votre corps au contact d'une fuite dans le tuyau de liquide.
- NE placez JAMAIS vos mains devant le pistolet. Les gants ne constituent pas un rempart suffisant contre les blessures par projection.
- Bloquez TOUJOURS la gâchette du pistolet, éteignez la pompe et vidangez toute la pression avant toute opération d'entretien, avant de nettoyer une buse ou une protection, avant de changer une buse ou si vous laissez l'appareil sans surveillance. La pression ne s'évacue pas simplement en éteignant le moteur. La vanne prime/SPRaY ou la vanne de décharge de la pression doivent être placées dans les positions souhaitées pour vidanger la pression.
- Conservez TOUJOURS la protection de la buse en place lorsque vous pulvérisez. La protection de la buse fournit une certaine protection mais il s'agit principalement d'un système d'alarme.
- Enlevez TOUJOURS la buse de pulvérisation avant de rincer ou de nettoyer le système.
- N'utilisez JAMAIS un pistolet pulvérisateur sans blocage de gâchette et sans protection de gâchette.

- Tous les accessoires doivent pouvoir travailler à la pression de travail maximale du pulvérisateur ou au-dessus. Ceci concerne les buses de pulvérisation, les pistolets, les rallonges et le tuyau.



RISQUE : Flexible à haute pression

Le tuyau de peinture peut présenter des fuites dues à l'usure, aux pincements et aux mauvaises utilisations. Toute fuite peut entraîner une projection de matériau dans la peau. Vérifiez soigneusement le tuyau avant chaque utilisation.



RISQUE : Explosion et incendie

Les vapeurs inflammables, telles que les vapeurs de solvant et de peinture, dans une zone de travail peuvent s'enflammer ou exploser.

PRÉVENTION :

PRÉVENTION :

- Il faut éviter de trop plier le flexible; le plus petit rayon ne doit pas être inférieur à 20 cm.
 - Protéger le flexible contre le passage de véhicules et éviter le frottement sur des arêtes vives.
 - Remplacer immédiatement tout tuyau à haute pression endommagé.
 - Ne jamais essayer de réparer un flexible endommagé!
 - La charge électrostatique du pistolet et du flexible est évacuée par ce dernier. Pour cette raison, la résistance électrique entre les raccords du flexible doit être égale ou inférieure à 1 mégaohm.
 - Pour des raisons de fonctionnement, de sécurité et de durée utile utiliser exclusivement des flexibles à haute pression originaux de Titan.
 - Avant chaque utilisation, vérifiez que les tuyaux ne présentent ni coupures, ni fuites, ni signes d'abrasion ou de renflement du revêtement. Vérifiez l'état et le mouvement des raccords. Remplacez immédiatement les tuyaux s'ils sont en mauvais état. Ne réparez jamais un tuyau de peinture. Remplacez-le par un tuyau à haute-pression relié à la masse.
 - Assurez vous que le tuyau à air et les tuyaux de pulvérisation sont disposés de façon à éviter les risques de glissade, de trébuchement ou de chute.
- Servez-vous de l'équipement dans un endroit bien aéré. Faites circuler beaucoup d'air frais dans l'endroit afin d'éviter l'accumulation de vapeurs inflammables dans la zone de pulvérisation. Entreposez l'ensemble de la pompe dans un endroit bien aéré. Ne pulvérisez pas l'ensemble de la pompe.
 - Modèles à essence uniquement - Ne faites jamais le plein lorsque le moteur est en marche ou chaud. Éteignez le moteur et laissez-le refroidir. L'essence est inflammable. Elle peut s'enflammer ou exposer si on en renverse sur une surface chaude.
 - Éliminez toutes les sources d'inflammation, comme les veilleuses, les cigarettes, les lampes électriques portatives et les toiles de protection en plastique (risque d'arc statique).
 - Gardez la zone de travail exempte de débris, y compris des solvants, des chiffons et d'essence.
 - Ne branchez ou ne débranchez pas les cordons d'alimentation, ne mettez pas l'appareil en marche, n'allumez ou n'éteignez pas les lumières lorsque des vapeurs inflammables sont présentes.
 - Mettez à terre l'équipement et les objets conducteurs dans la zone de travail. Assurez-vous que la chaînette de mise à la terre est en place et touche le plancher.
 - Utilisez uniquement des tuyaux mis à la terre.
 - Tenez le pistolet de pulvérisation fermement contre le côté d'un seau mis à la terre lorsque vous pulvérisez dans le seau.
 - S'il y a production d'étincelles statiques ou si vous ressentez un choc, arrêtez le fonctionnement immédiatement.
 - Soyez au courant du contenu de la peinture et des solvants à pulvériser. Lisez

toutes les fiches signalétiques (FS) et les étiquettes des récipients de peinture et de solvant. Suivez les consignes de sécurité du fabricant de peinture et du solvant.

- N'utilisez pas de peinture ou de solvant contenant des hydrocarbures hydrogénés, comme du chlore, de l'eau de Javel, un agent anti-moisissure, du chlorure de méthylène et du trichloroéthane. Ils ne sont pas compatibles avec l'aluminium. Communiquez avec le fournisseur de revêtement au sujet de la compatibilité du produit avec l'aluminium.
- Gardez un extincteur dans la zone de travail.



RISQUE : Vapeurs dangereuses

Les peintures, solvants, et autres matériaux peuvent être nocifs en cas d'inhalation ou de contact avec la peau. Les vapeurs peuvent entraîner de sérieuses nausées, des syncopes ou des empoisonnements.

PRÉVENTION :

- Pendant le travail de protection porter un masque respiratoire. Lisez attentivement toutes les instructions fournies avec le masque pour vous assurer qu'il fournit bien la protection nécessaire.
- Tous les règlements locaux en matière de protection contre les vapeurs toxiques doivent être respectés.
- Portez des protections oculaires.
- Pour protéger la peau il est nécessaire de porter des vêtements de protection, des gants et d'utiliser éventuellement une crème de protection de la peau. Observer les prescriptions des fabricants au sujet des produits de peinture, de nettoyage et des solvants pendant la préparation, la mise en oeuvre et le nettoyage du matériel.



RISQUE : Généralités -

peut entraîner des blessures sévères ou des dégâts matériels.

PRÉVENTION :

- Respectez toutes les réglementations locales et nationales concernant la ventilation, la prévention des incendies et le fonctionnement.
- Lorsque vous appuyez sur la détente, il se produit un mouvement de recul de la main qui tient le pistolet pulvérisateur. Le recul du pistolet pulvérisateur est particulièrement puissant lorsque la buse a été démontée et lorsque la pompe sans air a été réglée sur une pression élevée. Lors du nettoyage sans buse, réglez donc le bouton de contrôle de la pression sur la pression minimale.
- N'utilisez que des pièces de rechange d'origine. L'utilisateur assume tous les risques s'il utilise des pièces qui ne correspondent pas aux spécifications minimales et aux dispositifs de sécurité du fabricant de la pompe.
- Respectez TOUJOURS les consignes du fabricant du matériau pour manipuler la peinture et les solvants en toute sécurité.
- Nettoyez immédiatement les matériaux tombés et le solvant déversé accidentellement, afin d'éviter les risques de glissade.
- Munissez-vous d'une protection auditive. Le bruit émis par cet appareil peut dépasser les 85 dB(A).
- Ne laissez jamais cet outil sans surveillance. Tenez-le hors de portée des enfants ou des personnes non familiarisées avec le fonctionnement des équipements sans air.
- Ne vaporisez pas à l'extérieur en cas de vent.
- L'appareil et tous ses liquides (p. ex., huile hydraulique) doivent être détruits sans danger pour l'environnement.

1.3 Sécurité du moteur à essence

1. Les moteurs à essence sont conçus pour offrir un service sûr et stable à condition d'être utilisés conformément aux instructions. Lisez attentivement et assurez-vous de bien comprendre le Manuel d'utilisateur du fabricant du moteur avant d'utiliser le moteur. Dans le cas contraire, vous pourriez vous blesser ou endommager l'équipement.
2. En vue d'éviter tout risque d'incendie et de fournir une ventilation adéquate, conservez le moteur à 1 mètre (3 pieds) minimum de tout bâtiment et de tout autre équipement pendant son fonctionnement. Ne placez pas d'objets inflammables à proximité du moteur.
3. Les personnes qui n'utilisent pas l'appareil doivent s'en éloigner afin d'éviter le risque de brûlures des composants chaudes du moteur ou le danger de blessures provenant de l'équipement utilisé pour faire fonctionner l'appareil.
4. Sachez comment arrêter rapidement le moteur, et veillez à bien comprendre le fonctionnement de toutes les commandes. N'autorisez jamais personne à utiliser le moteur sans prendre connaissance des instructions adéquates.
5. L'essence est un produit extrêmement inflammable pouvant exploser sous certaines conditions.
6. Faites le plein d'essence dans une zone suffisamment ventilée, le moteur à l'arrêt. Ne fumez pas et évitez tout flamme ou étincelle dans la zone d'alimentation en essence ou dans le lieu où est stockée l'essence.
7. Ne remplissez pas trop le réservoir d'essence. Après avoir fait le plein d'essence, assurez-vous que le couvercle du réservoir est correctement et solidement refermé.
8. Faites attention à ne pas répandre de l'essence lors du remplissage du réservoir. Les vapeurs d'essence ou l'essence répandue sont susceptibles de s'enflammer. Si vous venez à déverser de l'essence, assurez-vous que la zone est bien sèche avant de mettre le moteur en marche.
9. Ne faites jamais fonctionner le moteur dans un espace clos ou confiné. L'échappement contient du monoxyde de carbone toxique ; toute exposition pourrait occasionner une perte de connaissance, voire entraîner la mort.
10. Le pot d'échappement devient extrêmement chaud pendant le fonctionnement et reste chaud pendant un certain moment même après l'arrêt du moteur. Veillez à ne pas toucher le pot d'échappement lorsqu'il est chaud. En vue d'éviter de sérieuses brûlures ou des risques d'incendie, laissez refroidir le moteur avant de le transporter ou de le ranger à l'intérieur.
11. Ne déplacez / transportez jamais le pulvérisateur lorsqu'il y a de l'essence dans le réservoir.



N'UTILISEZ PAS cet appareil pour pulvériser de l'eau ou de l'acide.



Attention

Ne vous servez pas de la poignée du chariot pour soulever lors du chargement ou du déchargement. L'appareil est très lourd. Trois personnes sont nécessaires pour les soulever.

1.4 Ravitaillement (moteur à essence)



L'essence est extrêmement inflammable et explosive dans certaines conditions.

Spécifications du carburant

- Utilisez une essence automobile ayant un indice d'octane d'au moins 86, ou un indice d'octane recherche d'au moins 91. L'utilisation d'une essence ayant un indice d'octane inférieur peut causer un « cognement » ou une « détonation » (un bruit d'ébranlage métallique) tenace qui, s'il est grave, peut endommager le moteur.



S'il y a un « cognement » ou une « détonation » à une vitesse constante avec une charge normale, utilisez une autre marque d'essence. Si vous obtenez toujours un cognement ou une détonation, consultez un distributeur agréé du fabricant de moteurs. Le fait de ne pas suivre cette directive constitue un abus. Les dommages causés par l'abus ne sont pas couverts par la garantie restreinte du fabricant du moteur.

Il se peut que vous entendiez parfois une détonation légère pendant le fonctionnement avec des charges lourdes. Il n'y a aucune raison de s'inquiéter, cela signifie simplement que votre moteur fonctionne de façon efficiente.

- L'essence sans plomb produit moins de dépôts du moteur et de la bougie, et rallonge la durée de vie des composantes du système d'échappement.
- Ne jamais utiliser de l'essence éventée ou contaminée, ou un mélange d'huile et d'essence. Évitez de laisser entrer de la saleté, de la poussière ou de l'eau dans le réservoir à essence.

Essences contenant de l'alcool

Si vous décidez d'utiliser une essence qui contient de l'alcool (gasohol), assurez-vous qu'elle a au moins un indice d'octane correspondant à celui qui est recommandé par le fabricant du moteur. Il existe deux types de « gasohol » : un type contient de l'éthanol, tandis que l'autre contient du méthanol. N'utilisez pas un gasohol qui contient plus de 10 % d'éthanol. N'utilisez pas d'essence qui contient du méthanol (alcool méthylique ou de bois), mais qui n'inclut pas également des cosolvants et des inhibiteurs de corrosion pour le méthanol. N'utilisez jamais de l'essence qui contient plus de 5 % de méthanol, même si elle contient également des cosolvants et des inhibiteurs de corrosion.



Les dommages au système d'alimentation ou les problèmes de rendement du moteur découlant de l'utilisation d'essences contenant de l'alcool ne sont pas couverts par la garantie. Le fabricant du moteur ne peut pas approuver l'utilisation d'essences contenant du méthanol étant donné que leur adaptation n'a pas encore été éprouvée.

Avant d'acheter de l'essence d'une station-service inconnue, essayez de savoir si l'essence contient de l'alcool. Si elle en contient, confirmez le type d'alcool utilisé, ainsi que le pourcentage inclus. Si vous remarquez des caractéristiques de fonctionnement indésirables lorsque vous utilisez une essence qui contient de l'alcool, ou que vous croyez qu'elle contient de l'alcool, utilisez une essence dont vous êtes certains qu'elle ne contient pas d'alcool.

2. Généralités d'utilisation

2.1 Domaines d'utilisation

Cette machine à tracer Airless est un outil de précision permettant de pulvériser de nombreux types de produits, pour une large gamme d'applications (marquage d'aires de stationnement, de chaussées, de pistes d'athlétisme). Lisez attentivement ce manuel et respectez-en les instructions d'utilisation et d'entretien ainsi que les consignes de sécurité.

2.2 Produits de revêtement

Produits utilisables



Veiller à la qualité Airless des produits utilisés.

Peintures latex, peintures pour façades, revêtements de toits et de sols, produits de protection ignifuge et anticorrosion, peintures à base de mica et de zinc, enduits à projeter de qualité Airless, colles à projeter, produits anticorrosion, revêtements épais et produits de revêtement bitumineux.

Mise en œuvre d'autres produits seulement avec l'accord de Titan.

Filtering

En général, il est recommandé de filtrer le matériau de revêtement.

Bien remuer le produit, avant l'utilisation.



Si le produit est remué avec un agitateur mécanique, éviter la formation de bulles d'air dans le produit qui pourraient entraîner des arrêts de fonctionnement.

3. Description du matériel

3.1 Le procédé Airless

Le domaine principal d'utilisation est l'application de couches épaisses de produits visqueux sur grandes surfaces avec débit élevé.

La pompe à piston aspire le produit et le refoule sous pression vers la buse. En passant par l'orifice de la buse avec une pression de maximum 20,7 MPa (207 bar) le produit est éclaté en très fines particules.

Etant donné l'absence d'air dans ce système, il est connu sous le nom „AIRLESS“ (sans air).

Ce procédé de projection comporte les avantages tels que pulvérisation très fine, peu de brouillard, surfaces lisse sans bulles. A part de ces avantages, il y a lieu de mentionner la vitesse de travail et la maniabilité.

3.2 Fonctionnement du matériel

Pour mieux comprendre le fonctionnement, voici une brève description de la conception technique:

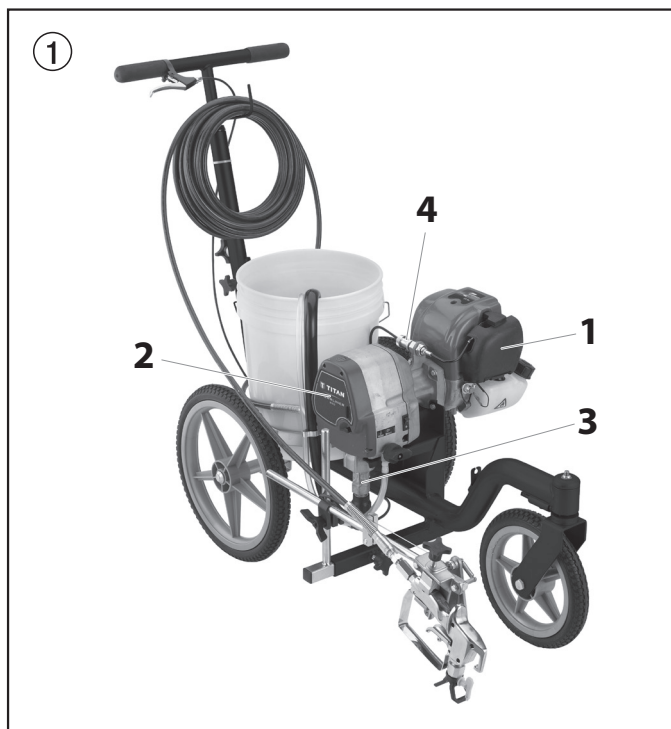
Titan PowrLiner 850 (PL) sont des groupes de projection à haute pression entraînés par moteur à essence.

Le moteur à essence (fig. 1, pos. 1) alimente l'ensemble de la pompe (2) qui déplace ensuite le piston vers le haut et vers le bas à l'intérieur de la section des liquides (3).

A la montée du piston la vanne d'aspiration s'ouvre automatiquement. A la descente du piston, le clapet de refoulement s'ouvre.



Le produit est refoulé sous haute pression par le flexible au pistolet où il est éclaté en passant par la buse.

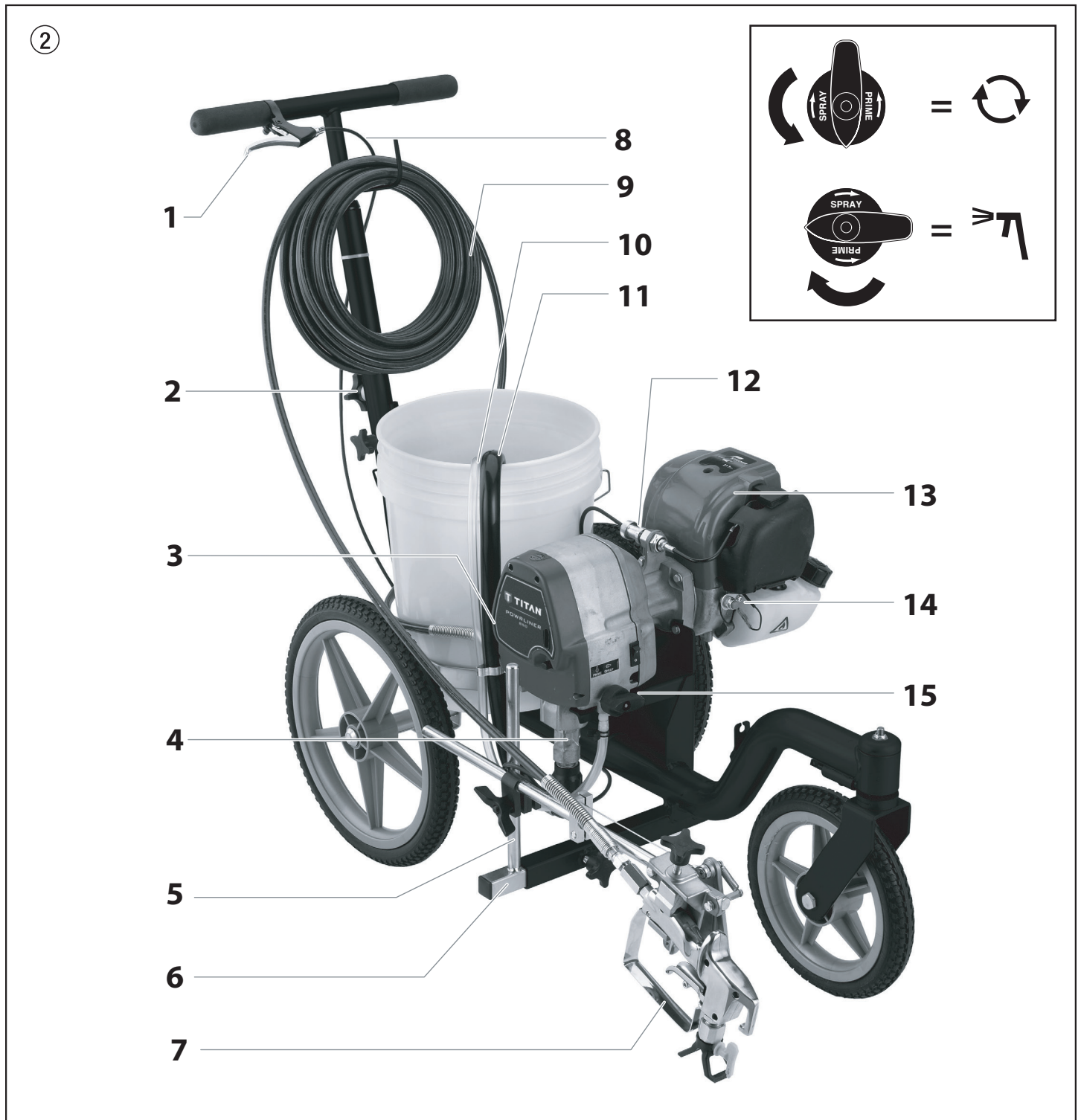
La vanne de réglage de pression de DirectLink (4) règle le débit ainsi que la pression de fonctionnement.



Description du matériel

3.3 Illustration

- | | |
|--|--|
| 1 Levier de pulvérisation | 9 Tuyau de pulvérisation sans air |
| 2 Bouton de réglage de la poignée | 10 Tuyau de décharge |
| 3 Sortie du tuyau à haute pression | 11 Tube du siphon |
| 4 Soupape Sureflo ^{MC} | 12 Bouton de régulation de la pression DirectLink ^{MC} |
| 5 Tuyau élévateur du pistolet | 13 Moteur à essence |
| 6 Barre du support à pistolet | 14 Commutateur d'arrêt du moteur |
| 7 Pistolet de pulvérisation à haute pression | 15 Poignée de la vanne de décharge |
| 8 Étrangleur/câble de pistolet | tourner à gauche =  circulation |
| | tourner à droite =  projection |



3.4 Caractéristiques techniques

		PL850
Moteur à essence, puissance		Moteur à essence quatre-temps de 37,7 cc
Capacité du réservoir d'essence		0,65 l
Pression de service maximale		20,7 MPa (207 bar)
Niveau sonore maximum		92 dB*
Orifice de buse maximum avec un pistolet		
	Marquage de la circulation	0,019" – 0,48 mm
	Marquage du champ	0,023" – 0,58 mm
Débit maximum		1,25 l/min
Poids		29,5 kg
Viscosité maximale		20.000 mPa·s
Encombrement longueur-largeur-hauteur		104 cm x 53,3 cm x 81,3 cm
Altitude		Cet équipement fonctionnera correctement jusqu'à 2 000 m au-dessus du niveau moyen de la mer.
Température maximale du produit		43° C
Pression maximale de gonflage des pneus		0,2 MPa (2 bar)
Fouet du flexible		DN 6 mm, 15 m, raccord NPSM 1/4

* lieu de mesure: distance latéral au matériel 1 m, à 1,60 m du sol, pression de fonctionnement 120 bar (12 MPa), sol réverbérant.

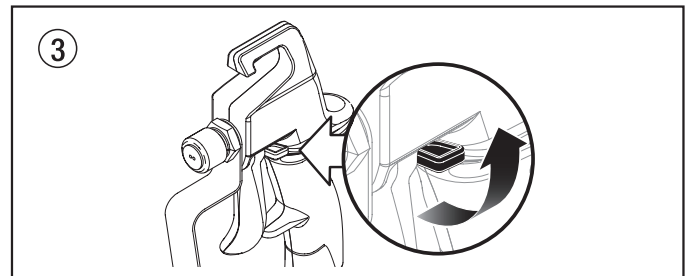
3.5 Commandes de l'opérateur

La section suivante décrit les commandes de l'opérateur sur le pistolet de pulvérisation et l'appareil à peindre les lignes.

Verrou de la détente du pistolet pulvérisateur

Engager le verrou de détente à la fin de chaque emploi du pistolet.

Le pistolet est verrouillé lorsque le verrou de la détente est positionné à un angle de 90° (perpendiculaire à la détente dans l'une ou l'autre direction).



i

Au besoin, desserrer la poignée de serrage du support à pistolet et engager ensuite le verrou de la détente du pistolet pulvérisateur. Remettre le pistolet de pulvérisation à sa position initiale et serrer la poignée de serrage.

Lever de pulvérisation

Le levier de pulvérisation se trouve sur la poignée du chariot. Le levier de pulvérisation contrôle la détente du pulvérisateur. Le fait de tirer entièrement le levier de pulvérisation déclenche le pulvérisateur. Pendant le marquage, le levier de pulvérisation devrait être entièrement tiré pour un fonctionnement convenable.



i

Le pulvérisateur est muni d'un commutateur d'arrêt de sécurité automatique afin d'empêcher une trop grande accumulation de pression dans le pulvérisateur. Lorsque la soupape de retour se trouve dans la position SPRAY (PULVÉRISATION) (↗), le fait de tirer et de retenir le levier de pulvérisation à mi-chemin sans déclencher le pistolet à pulvérisation engagera le commutateur d'arrêt de sécurité. Consulter la section Maintenance si le commutateur d'arrêt de sécurité s'engage.

Fonctionnement

Soupage de retour

La soupape de retour (figure 5, article 1) conduit le produit au tuyau de purge lorsque le pulvérisateur est réglé à PRIME (AMORÇAGE) (☉) ou au tuyau de pulvérisation à haute pression lorsque le pulvérisateur est réglé à SPRAY (PULVÉRISATION) (☉).

Les flèches sur le bouton de la soupape de retour montrent les directions de rotation des positions PRIME (AMORÇAGE) (☉) et SPRAY (PULVÉRISATION) (☉).

Commutateur d'arrêt

Le commutateur d'arrêt du moteur (fig. 5, pos. 2) arrêtera le moteur lorsqu'il est en marche.

Appuyer et tenir le commutateur d'arrêt afin d'arrêter le moteur.

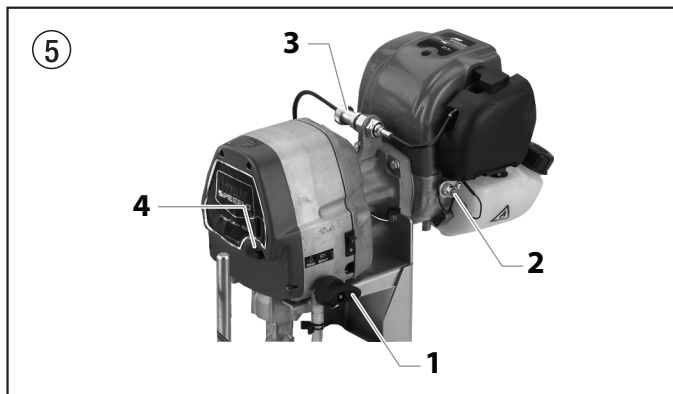
DirectLink^{MC}

La pression de vaporisation est déterminée par l'étrangleur du moteur.

L'étrangleur est contrôlé en réglant le bouton de régulation de la pression DirectLink (figure 5, article 3). Plus l'étrangleur est élevé, plus la pression de vaporisation est élevée.

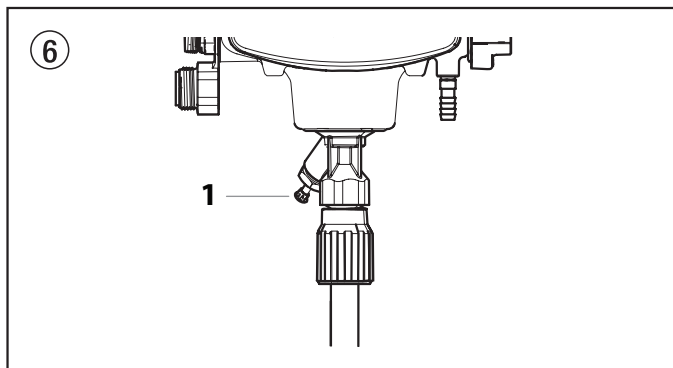
AutoOiler^{MC}

L'AutoOiler (figure 5, article 4) est conçu pour lubrifier la section des liquides de la pompe. Après le montage initial, appuyer sur le bouton de l'AutoOiler deux ou trois fois avant chaque utilisation.

**Soupage Sureflo^{MC}**

La soupape Sureflo (figure 6, article 1) est conçue pour garder la soupape d'admission ouverte et l'empêcher de coller au produit sec.

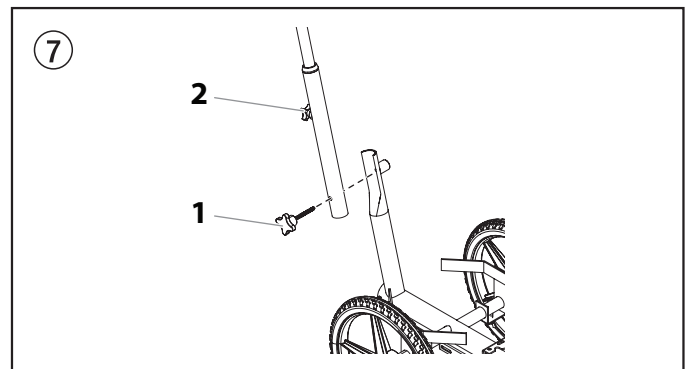
La soupape Sureflo est activée manuellement par l'utilisateur.

**4. Fonctionnement**

L'équipement produit un flot de fluides à extrêmement haute pression. Lisez et comprenez les avertissements de la section des Mesures de sécurité à l'avant du manuel avant d'utiliser l'équipement.

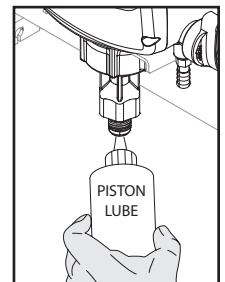
4.1 Installation

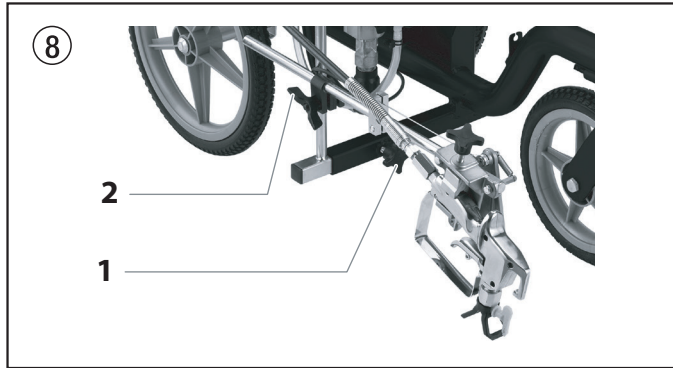
1. Fixer la poignée au chariot (fig. 7).
 - a. Aligner le trou au bas de la poignée avec l'assemblage soudé du support sur le chariot.
 - b. Visser le boulon dans le trou de la poignée et de l'assemblage soudé. Resserrer en tournant le bouton du boulon dans le sens horaire (1).
 - c. Placer la poignée à la hauteur désirée. Desserrer le bouton à l'arrière de l'assemblage soudé du support (2) afin de desserrer la poignée.
 - d. Monter ou descendre la poignée à la hauteur désirée. Resserrer le bouton de la poignée afin de fixer la poignée.



Le pistolet de pulvérisation et les câbles sont fixés à la barre du support à pistolet à l'usine. Ne pas fixer la buse au pistolet à pulvérisation encore. Retirer la buse si elle est déjà installée.

2. Insérez le flacon de Piston LubeTM dans la soupape SurefloTM. Injecter du lubrifiant à piston Piston Lube dans la soupape Sureflo.
3. S'assurer que le tube-siphon et le tuyau de purge sont bien attachés.
4. À l'aide d'une clé, visser le tuyau de pulvérisation sans air au raccord de sortie sur le pulvérisateur. Serrer solidement.
5. Attacher un pistolet pulvérisateur sans air au tuyau de pulvérisation. À l'aide de deux clés plates (une sur le pistolet et l'autre sur le tuyau), resserrer à fond.
6. Positionner le pistolet de pulvérisation (figure 8).
 - a. Desserrer le bouton de la barre du support (1) et glisser la barre du support à pistolet à la position horizontale désirée. S'assurer que le pistolet est assez éloigné du chariot afin que la roue arrière ne passe pas sur le produit fraîchement pulvérisé.
 - b. Desserrer la bride du tuyau élévateur du pistolet (2) et glisser le pistolet de pulvérisation à la position verticale désirée. Une distance de 15 cm de la buse à la surface à pulvériser est un bon point de départ.





La longueur du pistolet vaporisateur influe sur la largeur de la pulvérisation (c'est-à-dire, plus le pistolet est petit, plus la largeur de la ligne est petite). La taille de la buse influe également sur la largeur de la ligne.

7. S'assurer que le câble de pistolet fonctionne correctement.

Lorsqu'on tire le levier de pulvérisation sur la poignée du chariot, le câble de pistolet devrait actionner la détente. Ce câble est réglé en usine pour fonctionner correctement.

S'il faut régler la tension de la détente du pistolet, consulter la procédure pour « Réglage de la tension de la détente » dans la section Entretien du présent manuel.

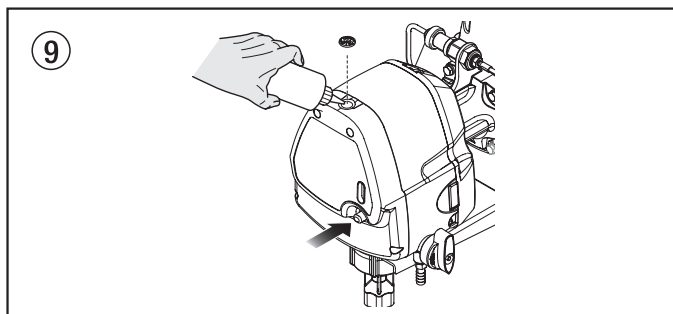
8. Tourner la soupape de retour à la position PRIME (AMORÇAGE) (↻).



Ne faites jamais fonctionner l'appareil sans liquide pendant plus de dix secondes, sous peine d'user inutilement les garnitures.

9. Retirer le bouchon de l'AutoOiler à l'aide d'un tournevis à lame plate. Injecter du lubrifiant à piston Piston Lube dans l'AutoOiler. Remettre le bouchon.

Appuyer sur le bouton de l'AutoOiler deux à cinq fois pour lubrifier la section des liquides.



10. Vérifier le niveau d'huile du moteur. Le niveau d'huile du moteur à essence est déterminé par le fabricant. Se reporter au manuel du fabricant du moteur (fourni).
11. Remplir le réservoir à essence du moteur d'essence sans plomb seulement. Ne pas mélanger l'essence à de l'huile deux-temps.

4.2 Préparation avant de peindre

Avant de peindre, il est important de s'assurer que le liquide du circuit est compatible avec la peinture qui va être utilisée.



S'il s'agit d'un nouvel appareil, il est livré avec du liquide de test dans la section des liquides pour éviter la corrosion durant le transport et le stockage. Ce fluide doit être soigneusement vidangé du circuit à l'aide d'essences minérales avant de commencer à vaporiser.



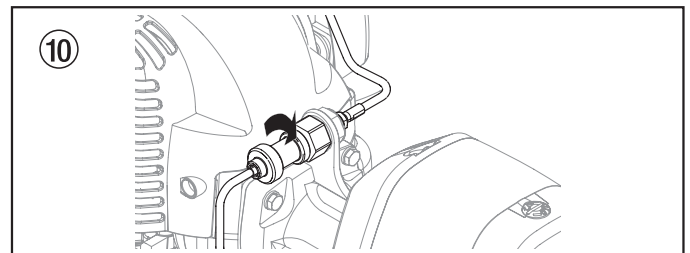
Les liquides et peintures incompatibles peuvent boucher les soupapes et obliger l'utilisateur à démonter et nettoyer la section des liquides du vaporisateur.



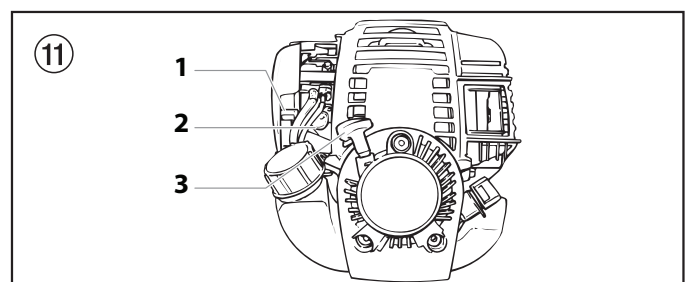
Attention

Verrouillez toujours la gâchette sur le pistolet vaporisateur pendant la préparation du circuit. Au besoin, desserrer la poignée de serrage du support à pistolet et engager ensuite le verrou de la détente du pistolet pulvérisateur.

- Placer le tube-siphon dans un contenant rempli du solvant approprié au matériel à pulvériser (se reporter aux recommandations du fabricant du matériel). Par exemple, l'eau est un solvant approprié pour la peinture au latex.
- Placez le tuyau de décharge dans un conteneur de déchets en métal.
- Tourner la soupape de retour à la position PRIME (AMORÇAGE) (↻).
- Appuyer entièrement sur la tige du poussoir pour s'assurer que la bille d'entrée est libre.
- Tourner le bouton de régulation de la pression DirectLink complètement dans le sens horaire au minimum.



6. Démarrer le moteur (fig. 11) :
- Déplacer le levier du volet d'air (1) jusqu'à la position d'étranglement maximum.
 - Enfoncer le bouton d'amorçage en caoutchouc (2) de 7 à 10 fois.
 - Tirer la corde de démarrage (3) rapidement et fermement. Ne pas lâcher la corde quand elle se replie. Répéter la manœuvre jusqu'à ce que le moteur démarre.
 - Une fois que le moteur est en marche, déplacer lentement le levier du volet d'air (1) à la position fermée.





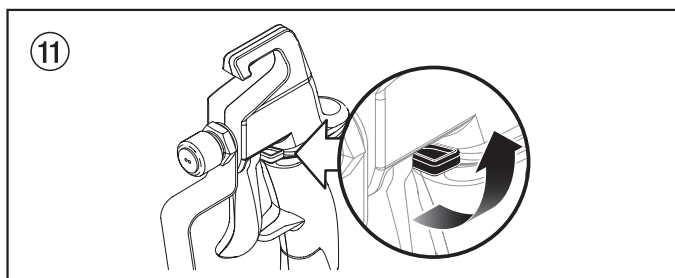
En cas de difficulté à démarrer le moteur, tourner le bouton de régulation de la pression DirectLink un ou deux tours dans le sens antihoraire.

7. Tourner lentement le bouton de régulation de la pression DirectLink dans le sens antihoraire en vue d'augmenter la pression jusqu'à ce que le liquide commence à sortir du tuyau de retour. Utiliser une pression suffisante pour que le liquide continue à jaillir.
8. Laisser le pulvérisateur en marche pendant 15 à 30 secondes pour purger le liquide d'essai à travers le tuyau de retour dans le contenant de vidange.
9. Tourner le bouton de régulation de la pression DirectLink complètement dans le sens horaire au minimum.
10. Arrêter le pulvérisateur en appuyant et en tenant le commutateur d'arrêt du moteur jusqu'à ce que ce dernier s'arrête.



Assurez-vous qu'aucun embout ou protecteur d'embout n'est installé sur le pistolet vaporisateur.

11. Placer un contenant de vidange en métal sous le pistolet de pulvérisation pour récupérer le solvant.
12. Démarrer le moteur.
13. Tourner le bouton de la soupape de retour à la position SPRAY (PULVÉRISATION) (↻).
14. Tourner lentement le bouton de régulation de la pression DirectLink dans le sens antihoraire afin d'augmenter la pression.
15. Débloquez le pistolet en faisant passer la gâchette du pistolet vers la position de déblocage.
16. Tirer entièrement le levier de pulvérisation sur la poignée du chariot. Du liquide commencera à couler à travers le tuyau de pulvérisation et sortira du pistolet.
17. Continuer de tirer le levier de pulvérisation sur la poignée du chariot jusqu'à ce que l'ancien solvant/liquide d'essai soit parti et le solvant frais sort du pistolet.
18. Libérer le levier de pulvérisation.
19. Verrouiller le pistolet en tournant le verrou de la détente dans la position de verrouillage. Au besoin, desserrer la poignée de serrage du support à pistolet et engager ensuite le verrou de la détente du pistolet pulvérisateur. Remettre le pistolet de pulvérisation à sa position initiale et serrer la poignée de serrage.



20. Vérifiez si le système ne présente pas de fuite. En cas de fuite, suivez la « Procédure de décharge de pression » décrite dans ce manuel avant de serrer les raccords ou les tuyaux.
21. Suivez la « Procédure de décharge de pression » (section 4.5) décrite dans ce manuel avant de passer du solvant à la peinture.



Assurez-vous de bien suivre la Procédure de décharge de pression lorsque vous arrêtez l'appareil pour une raison quelconque, y compris lors de l'entretien ou du réglage d'une pièce du circuit de vaporisation, du remplacement ou du nettoyage des embouts de vaporisation, ou lors de la préparation au nettoyage.

4.3 Peinture

1. Placer un seau de cinq gallons de peinture entre les supports à seau sur le chariot. S'assurer que les supports à seau tiennent solidement le seau de cinq gallons. Régler les supports à seau à l'aide de la vis à oreilles située sous chaque support, au besoin.



Lorsqu'on travaille avec cet appareil à peindre les lignes pour la première fois, il peut être utile de se servir d'eau au lieu de peinture pour se familiariser avec le fonctionnement de l'appareil à peindre les lignes. Après le remplacement de l'eau par la peinture, pulvériser plusieurs lignes d'essai sur du carton, du feutre pour toiture ou du papier colophane avant de peindre des lignes afin de s'assurer de la bonne largeur des lignes.

2. Placez le tuyau de siphon dans un conteneur de peinture.
3. Placez le tuyau de décharge dans un conteneur de déchets en métal.
4. Tourner la soupape de retour à la position PRIME (AMORÇAGE) (↻).
5. Appuyer entièrement sur la tige du poussoir pour s'assurer que la bille d'entrée est libre.
6. Tourner le bouton de régulation de la pression DirectLink complètement dans le sens horaire au minimum.
7. Démarrer le moteur :
 - a. Déplacer le levier du volet d'air (1) jusqu'à la position d'étranglement maximum.
 - b. Enfoncer le bouton d'amorçage en caoutchouc (2) de 7 à 10 fois.
 - c. Tirer la corde de démarrage (3) rapidement et fermement. Ne pas lâcher la corde quand elle se replie. Répéter la manœuvre jusqu'à ce que le moteur démarre.
 - d. Une fois que le moteur est en marche, déplacer lentement le levier du volet d'air (1) à la position fermée.
8. Tourner lentement le bouton de régulation de la pression DirectLink dans le sens antihoraire en vue d'augmenter la pression jusqu'à ce que le liquide commence à sortir du tuyau de retour. Utiliser une pression suffisante pour que le liquide continue à jaillir.
9. Laisser le pulvérisateur en marche pendant 15 à 30 secondes pour purger le liquide d'essai à travers le tuyau de retour dans le contenant de vidange.
10. Tourner le bouton de régulation de la pression DirectLink complètement dans le sens horaire au minimum.
11. Arrêter le pulvérisateur en appuyant et en tenant le commutateur d'arrêt du moteur jusqu'à ce que ce dernier s'arrête.
12. Démontez le tuyau de purge du conteneur de déchets et placez-le dans le conteneur de peinture.
13. Démarrer le moteur.
14. Tourner le bouton de la soupape de retour à la position SPRAY (PULVÉRISATION) (↻).
15. Débloquez le pistolet en faisant passer la gâchette du pistolet vers la position de déblocage.

16. Tourner lentement le bouton de régulation de la pression DirectLink dans le sens antihoraire afin d'augmenter la pression.
17. Tirer entièrement le levier de pulvérisation sur la poignée du chariot. Du liquide commencera à couler à travers le tuyau de pulvérisation et sortira du pistolet.
18. Continuer de tirer le levier de pulvérisation sur la poignée du chariot jusqu'à ce que la peinture sorte du pistolet.
19. Libérer le levier de pulvérisation.
20. Verrouiller le pistolet en tournant le verrou de la détente dans la position de verrouillage. Au besoin, desserrer la poignée de serrage du support à pistolet et engager ensuite le verrou de la détente du pistolet pulvérisateur. Remettre le pistolet de pulvérisation à sa position initiale et serrer la poignée de serrage.
21. Tourner le bouton de régulation de la pression DirectLink complètement dans le sens horaire au minimum.
22. Tourner la soupape de retour à la position PRIME (AMORÇAGE) (↻).
23. Arrêter le pulvérisateur en appuyant et en tenant le commutateur d'arrêt du moteur jusqu'à ce que ce dernier s'arrête.
24. Fixer le protège-embout et la buse au pistolet à pulvérisation. Se référer aux instructions à la section 4.4.



RISQUE ÉVENTUEL D'INJECTION. Ne vaporisez pas si la protection d'embout n'est pas montée. Ne déclenchez jamais le pistolet si l'embout n'est pas en position de vaporisation ou débouché. Engagez toujours le verrouillage de la gâchette du pistolet avant de démonter, de remplacer ou de nettoyer l'embout.

25. Démarrer le moteur.
26. Tourner le bouton de la soupape de retour à la position SPRAY (PULVÉRISATION) (↻).
27. Tirer entièrement le levier de pulvérisation sur la poignée du chariot pour déclencher le pulvérisateur. Vérifier la forme du jet et la position de la ligne sur un long morceau de feutre pour toiture ou sur du carton. Vérifier la largeur et la position de la ligne. Pour régler la position du pistolet pulvérisateur, se reporter à la procédure « Vérifications préliminaires » de cette section.
28. S'assurer que le pistolet pulvérisateur est complètement fermé lorsque la détente du pistolet est relâchée. S'il faut régler la tension de la détente du pistolet, consulter la procédure pour « Réglage de la tension de la détente » dans la section Maintenance du présent manuel.
29. Commencer à peindre les lignes.
 - a. Positionner l'appareil à peindre les lignes juste en avant de la ligne à peindre.
 - b. Commencer à marcher avec l'appareil à peindre les lignes et appuyer sur la détente au début de la ligne à peindre.
 - c. À la fin de la ligne à peindre, relâcher la détente et continuer de marcher une courte distance, si possible.

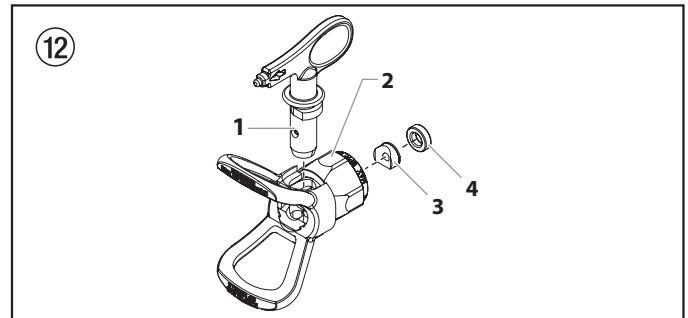


Le fait d'appuyer sur la détente du pistolet une fois que l'appareil à peindre les lignes est en mouvement et de relâcher la détente avant que l'appareil à peindre les lignes s'arrête produit une ligne peinte de manière uniforme du début à la fin. Si la ligne à peindre se termine sur un obstacle, relâcher la détente au moment où s'arrête l'appareil à peindre les lignes.

4.4 Installation du protège-embout et de la buse

Suivre la procédure suivante pour installer le protège-embout et la buse sur le pistolet de pulvérisation.

1. Suivre la « Procédure de décompression » décrite dans le manuel (section 4.5).
2. À l'aide d'un stylo ou d'un objet similaire, insérez le joint de la buse (3) et le joint à l'arrière (4) de la protection de la buse (2). Appuyez pour qu'ils se mettent bien en place.
3. Insérez la buse (1) dans l'encoche de la protection de buse.



4. Enfilez la protection de la buse sur le pistolet. Placez la protection de la buse dans la position de pulvérisation souhaitée, puis serrez fermement.



La flèche indiquée sur la poignée de la buse doit être dirigée dans la direction de pulvérisation, vers l'avant.

4.5 Procédure de décharge de pression



Assurez-vous de bien suivre la procédure de décharge de pression lorsque vous arrêtez l'appareil pour une raison quelconque, y compris lors de l'entretien ou du réglage d'une pièce du circuit de vaporisation, du remplacement ou du nettoyage des embouts de vaporisation ou lors de la préparation au nettoyage.

1. Verrouiller le pistolet en tournant le verrou de la détente dans la position de verrouillage. Au besoin, desserrer la poignée de serrage du support à pistolet et engager ensuite le verrou de la détente du pistolet pulvérisateur. Remettre le pistolet de pulvérisation à sa position initiale et serrer la poignée de serrage.
2. Tourner le bouton de régulation de la pression DirectLink complètement dans le sens horaire au minimum.
3. Tourner la soupape de retour à la position PRIME (AMORÇAGE) (↻).
4. Arrêter le pulvérisateur en appuyant et en tenant le commutateur d'arrêt du moteur jusqu'à ce que ce dernier s'arrête.
5. Débloquez le pistolet en faisant passer la gâchette du pistolet vers la position de déblocage.
6. Tirer complètement le levier de pulvérisation sur la poignée du chariot pour tirer sur la détente du pistolet pulvérisateur et libérer la pression restante dans le tuyau.
7. Verrouiller le pistolet en tournant le verrou de la détente dans la position de verrouillage. Au besoin, desserrer la poignée de serrage du support à pistolet et engager ensuite le verrou de la détente du pistolet pulvérisateur. Remettre le pistolet de pulvérisation à sa position initiale et serrer la poignée de serrage.

4.6 Nettoyage d'une buse bouchée

Si la répartition de votre pulvérisation devient déformée ou si la pulvérisation cesse complètement pendant que la détente est en position tirée, suivre ces étapes.



Attention

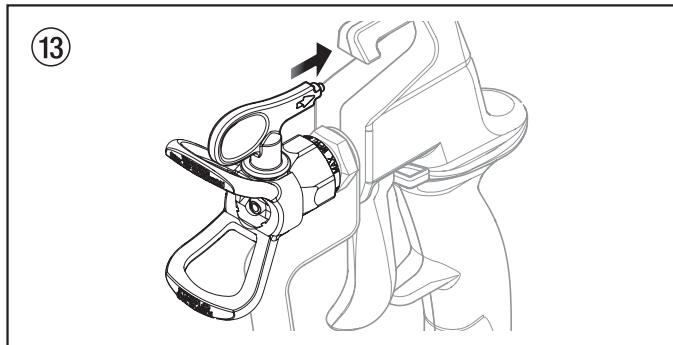
NE PAS continuer d'appuyer sur le levier de pulvérisation si la buse de pulvérisation est bouchée. Continuer d'appuyer sur le levier de pulvérisation lorsque la buse est bouchée fera en sorte que trop de pression s'accumulera dans l'appareil, ce qui provoquera l'arrêt de l'appareil.



Attention

Ne pas tenter de retirer le pistolet de pulvérisation du support à pistolet pour nettoyer la buse.

1. Placer une feuille de carton ou un petit sceau sous le pistolet de pulvérisation pour récupérer la peinture.
2. Faites tourner la buse de 180° afin que la flèche dessinée sur la poignée pointe dans la direction de pulvérisation opposée.



S'il est difficile de tourner la buse, diminuer la pression 1) en tournant lentement le bouton de la soupape de retour à PRIME (AMORÇAGE) (↻), 2) en débloquant le pistolet pulvérisateur et 3) en resserrant le levier de pulvérisation. Relâcher le levier, verrouiller le pistolet de pulvérisation et essayer à nouveau de tourner la buse de pulvérisation.

3. S'assurer que le bouton de la soupape de retour est tourné à la position SPRAY (PULVÉRISATION) (↗). Déverrouiller le pistolet de pulvérisation.
4. Appuyez une fois sur la détente du pistolet pour que la pression débouche la buse.



Attention

N'appuyez jamais deux fois de suite sur la détente lorsque la buse est dans la position inversée.

5. Continuez jusqu'à ce que la buse soit débouchée.



N'essayez jamais d'essuyer la buse avec votre doigt.



Attention

N'utilisez pas non plus d'aiguille ou d'objet pointu pour nettoyer la buse. En effet, le carbure de tungstène est cassant et pourrait s'ébrécher.

4.7 Remplacement de la buse

Buses peut être enlevé et remplacé facilement sans démontage de la goupille.

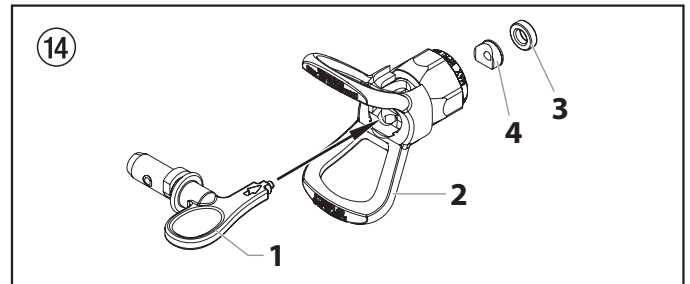


Ne jamais tenter de changer ou de nettoyer la buse ou le déflecteur sans d'abord suivre la « procédure de décompression ».

1. Exécutez la « Procédure de décharge de pression » indiquée dans le Manuel d'utilisateur.
2. Démontez la buse (fig. 14, pos. 1) de l'encoche de la protection de buse (2).
3. Insérez la nouvelle buse dans l'encoche de la protection de buse. La flèche indiquée sur la poignée de la buse doit être dirigée dans la direction de pulvérisation, vers l'avant.

Retrait du joint et du joint de buse

1. Retirer la buse du protège-embout.
2. Insérer la poignée de la buse dans l'avant du protège-embout.
3. Pousser le joint (3) et le joint de buse (4) par l'arrière du protège-embout.



Détermination des dimensions de la buse

Pour déterminer les dimensions de la buse, appliquer la formule suivante. Une dimension de buse « 417 » servira pour cet exemple.

Le premier chiffre représente la taille du schéma de pulvérisation lorsque vous pulvérisiez à une distance d'environ 15 cm (6") de la surface de travail :

$$4 = 4 \text{ po (10 cm) forme de pulvérisation}$$

Les deux chiffres suivants représentent le diamètre de l'orifice de la buse :

$$17 = 0,017 \text{ po (0,043 cm) orifice}$$



Des buses de pulvérisation usées peuvent produire un schéma de pulvérisation de mauvaise qualité et par conséquent entraîner une production réduite, une mauvaise qualité de finition et du gaspillage de produits. Remplacez immédiatement les buses usées.

4.8 Méthode du pochoir

Afin d'utiliser cet appareil à peindre les lignes pour marquer au pochoir, passer plusieurs fois sur le pochoir de droite à gauche avec le pulvérisateur branché au support à pistolet. Ou encore, le pulvérisateur peut être retiré et utilisé indépendamment de l'appareil à peindre les lignes.

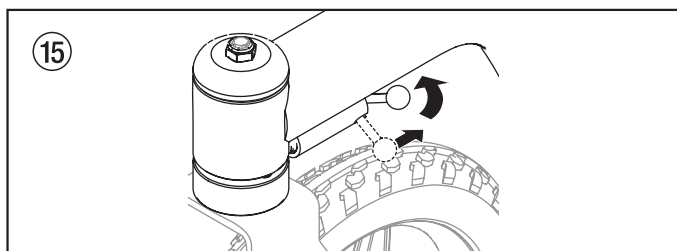
Pour retirer le pulvérisateur :

1. Suivre la procédure de décompression dans la rubrique « Fonctionnement » du présent manuel.
2. Desserrer la poignée de serrage du support à pistolet sur le haut du support à pistolet.
3. Glisser le pulvérisateur hors du support à pistolet.

4.9 Fonctionnement de la roulette avant

La roue avant pivotante du chariot permet de pulvériser tant des lignes droites que d'autres formes de ligne. Afin de régler la roue avant pivotante :

1. Tirer la poignée du côté de la roue pivotante vers le haut et vers l'arrière pour libérer la roue en vue de peindre d'autres formes de ligne.
2. Pour verrouiller la roue, tirer la poignée vers le bas. Une fois que la roue avant est à nouveau droite, la roue se verrouillera en place.



5. Nettoyage



Attention

Le pulvérisateur, le tuyau et le pistolet doivent être soigneusement nettoyés tous les jours après utilisation. Le non-respect de ces consignes peut mener à une agglutination du matériau et donc considérablement endommager la performance de l'appareil.



Lorsque vous utilisez des essences minérales ou tout autre solvant pour nettoyer le vaporisateur, le tuyau ou le pistolet, vaporisez toujours à la pression minimale avec l'embout du pistolet démonté. L'accumulation d'électricité statique peut entraîner un incendie ou une explosion en présence de vapeurs inflammables.

5.1 Consignes spéciales de nettoyage lors de l'utilisation du pistolet avec des solvants inflammables

- Rincez toujours le pistolet pulvérisateur de préférence à l'extérieur et au moins à une longueur de tuyau de la pompe de pulvérisation.
- Si vous recueillez les solvants vidangés dans un conteneur en métal d'un gallon (environ 3,780 litres), placez celui-ci dans un conteneur vide de 5 gallons (environ 19 litres), puis vidangez les solvants.
- La zone doit être totalement débarrassée de vapeurs inflammables.
- Respectez toutes les consignes de nettoyage.

5.2 Nettoyage du pulvérisateur

1. Suivez la « Procédure de décharge de pression » décrite au paragraphe Fonctionnement de ce manuel (section 4.5).
2. Démontez l'embout du pistolet et la protection d'embout puis procédez au nettoyage en utilisant une brosse et un solvant approprié.
3. Placer le tube-siphon dans un contenant rempli du solvant approprié (se reporter aux recommandations du fabricant du matériel). Par exemple, l'eau est un solvant approprié pour la peinture au latex.
4. Placez le tuyau de décharge dans un conteneur de déchets en métal.
5. Tourner la soupape de retour à la position PRIME (AMORÇAGE) (↻).
6. Démarrer le moteur.
7. Tourner lentement le bouton de régulation de la pression DirectLink dans le sens antihoraire en vue d'augmenter la pression jusqu'à ce que le liquide commence à sortir du tuyau de retour. Utiliser une pression suffisante pour que le liquide continue à jaillir.
8. Laisser le liquide circuler dans le pulvérisateur et purger la peinture à travers le tuyau de retour, vers le contenant de vidange en métal.
9. Arrêter le pulvérisateur en appuyant et en tenant le commutateur d'arrêt du moteur jusqu'à ce que ce dernier s'arrête.
10. Placer un contenant de vidange en métal sous le pistolet de pulvérisation pour récupérer le solvant.
11. Démarrer le moteur.
12. Tourner le bouton de la soupape de retour à la position SPRAY (PULVÉRISATION) (↻).
13. Tourner lentement le bouton de régulation de la pression DirectLink dans le sens antihoraire afin d'augmenter la pression.
14. Tirer entièrement le levier de pulvérisation sur la poignée du chariot. Du liquide commencera à couler à travers le tuyau de pulvérisation et sortira du pistolet.
15. Continuer de tirer le levier de pulvérisation sur la poignée du chariot jusqu'à ce que la peinture soit purgée du tuyau et que le solvant s'écoulant du pistolet soit clair.
16. Libérer le levier de pulvérisation.



Pour le stockage à long terme par temps froid ou lorsqu'il s'agit d'exposition à des températures de congélation, pomper des essences minérales dans tout le système.

Pour un stockage à court terme lorsqu'il n'y a pas d'exposition à des températures de congélation lors de l'utilisation de peinture au latex, pomper de l'eau mélangée avec Titan Liquid Shield dans tout le système (voir la section Accessoires de ce manuel pour le numéro de pièce et l'étiquette du produit pour les instructions de dilution).

17. Suivez la procédure de décompression décrite dans ce manuel, section 4.5.
18. Rangez l'appareil dans un lieu propre et sec.



Attention

Ne rangez pas l'appareil encore sous pression.



Attention

Ne pas placer le flexible à haute pression dans du solvant. Essuyer l'extérieur uniquement avec un chiffon imprégné.

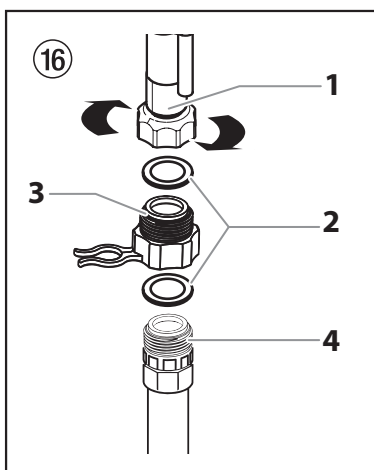
5.3 Nettoyage spécial



Procédures à suivre après la pulvérisation aux peintures à l'eau seulement.

Procédures à suivre lorsque les soupapes du pistolet sont coincées ou lorsqu'on prépare le pistolet pour l'entreposage à long terme. L'emploi d'un adaptateur de nettoyage de pompe qui s'attache au bas du tube-siphon est requise (l'adaptateur de nettoyage de pompe est inclus avec le pistolet).

1. Verrouiller le pistolet et retirer la buse. Au besoin, desserrer la poignée de serrage du support à pistolet et engager ensuite le verrou de la détente du pistolet pulvérisateur. Remettre le pistolet de pulvérisation à sa position initiale et serrer la poignée de serrage. Placer le tube d'aspiration et le tube de retour dans un récipient à déchets vide.
2. À l'aide d'un boyau d'arrosage, rincer le tube-siphon (1), le tube de retour et le filtre d'entrée. Vider le récipient à déchets.
3. Retirer le filtre d'entrée du tube d'aspiration et le placer dans un récipient à déchets.
4. Vérifier que les joints d'étanchéité (2) se trouvent dans l'adaptateur (3) et dans le tube d'aspiration. Visser l'adaptateur de nettoyage de pompe sur un boyau d'arrosage (4). Brancher le tuyau et l'adaptateur au raccord au bout du tube-siphon.
5. Dégrafer le tube de retour du tube-siphon et le placer dans le récipient à déchets.
6. Tourner la soupape de retour à la position PRIME (AMORÇAGE) (☉).
7. Ouvrir l'alimentation en eau.
8. Démarrer le moteur. L'eau entrera par le tube-siphon et sortira par le tuyau de retour. Laisser le pistolet en marche pendant quelques minutes afin de permettre le nettoyage du tuyau de retour.
9. Arrêter le pulvérisateur en appuyant et en tenant le commutateur d'arrêt du moteur jusqu'à ce que ce dernier s'arrête.
10. Placer un contenant de vidange en métal sous le pistolet de pulvérisation pour récupérer la solution de nettoyage.
11. Démarrer le moteur.
12. Tourner le bouton de la soupape de retour à la position SPRAY (PULVÉRISATION) (☽).
13. Tourner lentement le bouton de régulation de la pression DirectLink dans le sens antihoraire afin d'augmenter la pression.
14. Tirer complètement le levier de pulvérisation sur la poignée du chariot pour donner un coup d'essence au moteur, mettre le pulvérisateur en pression et déclencher le pistolet à pulvérisation. Du liquide



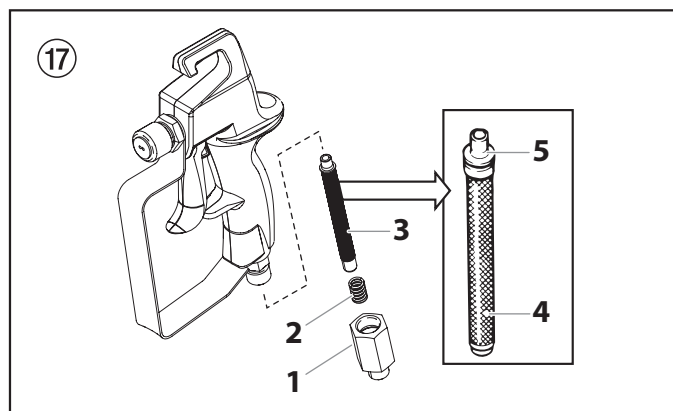
commencera à couler à travers le tuyau de pulvérisation et sortira du pistolet.

15. Continuer de tirer le levier de pulvérisation sur la poignée du chariot jusqu'à ce que la peinture soit purgée du tuyau et que l'eau s'écoulant du pistolet soit clair.
16. Libérer le levier de pulvérisation.
17. Suivez la procédure de décompression décrite dans ce manuel, section 4.5.

5.4 Nettoyage/remplacement du filtre du pistolet

Le filtre du pistolet doit être nettoyé après chaque emploi du pulvérisateur. Lorsqu'on pulvérise des peintures plus épaisses, il peut être nécessaire de nettoyer le filtre plus souvent.

1. Suivez la procédure de décompression décrite dans ce manuel, section 4.5.
2. Dévisser le raccord (1) de la partie inférieure du pistolet de pulvérisation à l'aide d'une clé ajustable, en veillant à ne pas perdre le ressort (2).
3. Retirer le filtre (3) du boîtier du pistolet de pulvérisation et le nettoyer avec une solution de nettoyage appropriée (eau chaude savonneuse pour les peintures à base de latex, spiritueux minéralisés pour les peintures à base d'huile).
4. Vérifier si le filtre est percé (4). Remplacer le filtre s'il est troué.



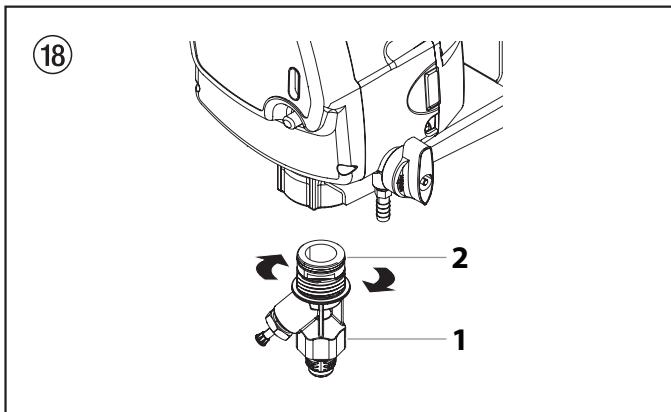
Ne jamais percer le filtre d'un instrument tranchant!

5. Remettre en place le filtre nettoyé, l'extrémité amincie en premier (5), dans le boîtier du pistolet. L'extrémité amincie du filtre doit être bien insérée dans le pistolet. Un mauvais assemblage entraînera l'obstruction de la buse ou l'absence d'écoulement du pistolet.
6. Remonter le pistolet de pulvérisation.

5.5 Nettoyage de la soupape Sureflo^{MC}

Il peut être nécessaire de nettoyer la soupape Sureflo ou de procéder à son entretien si l'appareil éprouve des problèmes d'amorçage.

1. Retirer le tube-siphon.
2. Dévisser l'ensemble de la soupape d'admission du pulvérisateur. Inspecter visuellement l'intérieur et l'extérieur de la soupape Sureflo (1). Nettoyer les résidus de peinture avec la solution de nettoyage appropriée.
3. Lubrifier le joint torique (2) de la soupape Sureflo avec du pétrolatum. Replacer la soupape Sureflo en la vissant dans le pulvérisateur. Serrer à un couple de 43 à 52 N.m.
4. Replacer le tube-siphon et resserrer.



Si les problèmes d'amorçage persistent, il peut être nécessaire de remplacer la soupape Sureflo. Communiquer avec les services techniques pour commander une nouvelle soupape Sureflo.

6. Entretien



Avant de continuer, suivez la procédure de réduction de pression précédemment exposée dans ce manuel. Respectez également tous les autres avertissements afin de minimiser les risques de blessures dus à des projections ou à des pièces mobiles ou les risques de décharge électrique.

6.1 Réglage de la tension de la détente

Procédures à suivre pour régler le levier de tension à ressort de la détente sur le support à pistolet. Le levier de détente tire et relâche la détente du pistolet pulvérisateur lorsque la détente sur le chariot est actionnée. Le réglage de la tension permet de s'assurer que le pistolet se ferme lorsque la détente du pistolet est relâchée.



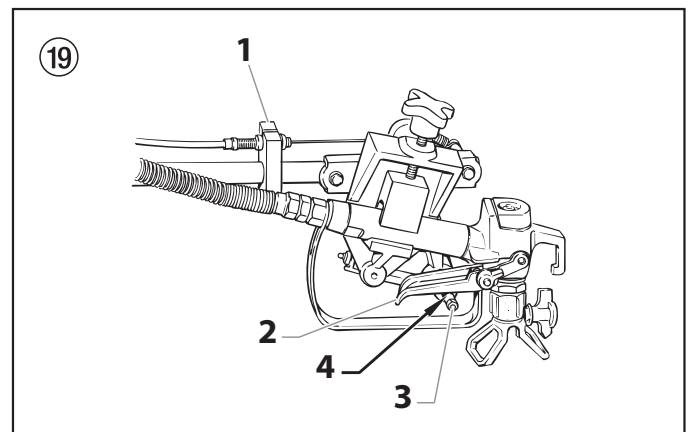
Attention

La détente du pistolet doit toujours être verrouillée lorsque l'on procède au réglage du système. Au besoin, desserrer la poignée de serrage du support à pistolet et engager ensuite le verrou de la détente du pistolet pulvérisateur. Remettre le pistolet de pulvérisation à sa position initiale et serrer la poignée de serrage.



Avant de continuer, suivre les directives de la section « Procédure de décompression » du présent manuel.

1. À l'aide d'une clé hexagonale de 14 mm (9/16 po), desserrer la vis à tête hexagonale sur le bloc du câble (1).
2. Déplacer le bloc du câble dans la direction appropriée afin qu'il y ait un mouvement maximum de 0,8 mm (1/32 po) par la détente du pistolet pulvérisateur (2) et le levier de détente (3) avant que le pistolet pulvérisateur s'ouvre.
 - a. Si le levier de détente pousse sur la détente et ouvre le pistolet pulvérisateur, glisser le bloc de câble vers le pistolet jusqu'à ce que la détente repose dans sa position normale. S'assurer que le levier de détente touche encore (4) la détente.
 - b. S'il y a un espace entre le levier de détente et le levier du pistolet pulvérisateur, éloigner le bloc de câble du pistolet.



6.2 Entretien du moteur



Pour des renseignements détaillés sur les caractéristiques techniques et l'entretien, se reporter au manuel fourni avec le pulvérisateur.

Entretien courant du moteur

Tous les jours :

- Contrôlez et remplissez le réservoir à essence.
- Au bout des 20 premières heures de fonctionnement, purgez le réservoir d'huile et remplissez-le avec de l'huile neuve. Vérifiez le niveau d'huile du moteur et complétez si nécessaire.

Toutes les semaines :

- Retirez le couvercle du filtre à air et nettoyez l'élément filtrant. Remplacez-le si nécessaire. Si vous travaillez dans un environnement particulièrement poussiéreux, vérifiez le filtre tous les jours et remplacez-le dès que nécessaire. (Pour obtenir les pièces de rechange, adressez-vous à votre revendeur Titan.)
- Toutes les 50 heures de fonctionnement : Changez l'huile du moteur.

6.3 Commutateur d'arrêt de sécurité

Le commutateur d'arrêt de sécurité est préréglé à l'usine afin de fermer le vaporisateur pour prévenir la surpression. Ne pas tenter de régler ou de manipuler le commutateur d'arrêt de sécurité. Communiquer avec un centre d'entretien autorisé si ce paramètre doit être réglé.



Le commutateur d'arrêt de sécurité devrait être réglé pour arrêter le vaporisateur entre 22 MPa et 24 MPa.

6.4 Flexible à haute pression

Contrôle visuel du tuyau à haute pression (coupures, bosses), spécialement aux environs des raccords, les écrous de fixation doivent tourner librement.



Le risque d'endommagements s'accroît dans le cas des vieux flexibles à haute pression. Titan recommande de remplacer le flexible à haute pression au bout de 6 ans.

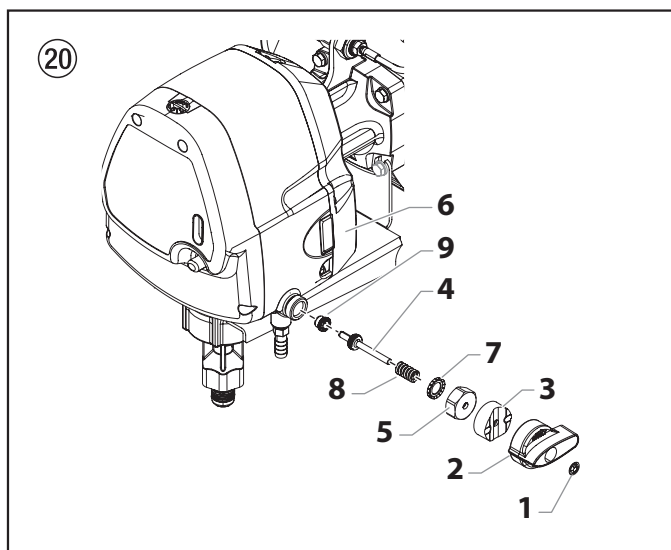
6.5 Remplacement de la soupape de retour

Suivre les directives ci-dessous en se servant de la trousse de remplacement de la soupape de retour (no de pièce 759 380).



Avant de continuer, suivez la procédure de réduction de pression précédemment exposée dans ce manuel. Respectez également tous les autres avertissements afin de minimiser les risques de blessures dus à des projections ou à des pièces mobiles ou les risques de décharge électrique.

1. Arracher l'agrafe de serrage (1) de l'intérieur de la partie encastrée du bouton de la soupape (2). Retirer le bouton de la soupape.
2. Retirer la came (3) en la glissant de l'ensemble tige/bille (4).
3. Retirer l'écrou hexagonal (5) de la tête de pompe (6) à l'aide d'une clé.
4. Retirer la rondelle éventail (7), le ressort (8) et l'ensemble tige/bille (4) de la tête de pompe.
5. Retirer l'ensemble tige/bille (9) de la tête de pompe à l'aide d'une clé à tête hexagonale de 6 mm (7/32 po).

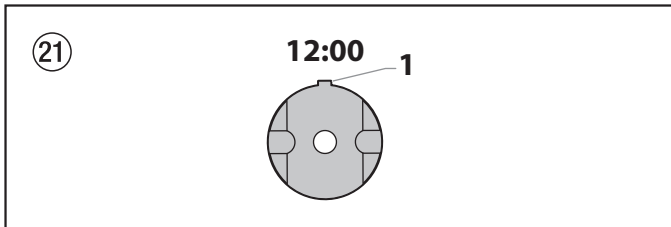


6. Resserrer le nouveau siège de l'ensemble tige/bille (9) dans la tête de pompe (6). Employer une clé à tête hexagonale de 6 mm (7/32 po). Serrer à un couple de 8 à 11 N.m.
7. Appliquer une couche mince d'huile hydraulique autour du joint torique sur le nouvel ensemble tige/bille.
8. Pousser l'ensemble tige/bille dans le siège de l'ensemble tige/bille dans la tête de pompe.
9. Placer le nouveau ressort et la rondelle éventail autour de l'ensemble tige/bille.
10. Glisser le nouvel écrou hexagonal sur la tige de l'ensemble tige/bille, le visser sur la tête de pompe et le serrer à l'aide d'une clé. Serrer à un couple de 16-19 N.m.
11. Appliquer une couche mince de graisse au-dessus de la came.
12. Glisser la nouvelle came sur la tige de l'ensemble tige/bille et sur l'écrou hexagonal. La conception de la came permettra à l'écrou hexagonal de se positionner à

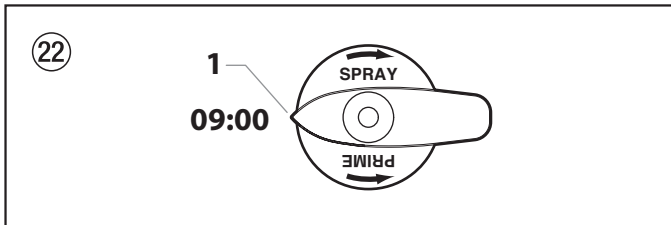
l'intérieur de la came, faisant en sorte que la came soit bloquée en position.



Positionner la came sur l'écrou hexagonal afin que la languette (fig. 21, article 1) sur le côté de la came soit le plus près possible de la position 12 h.



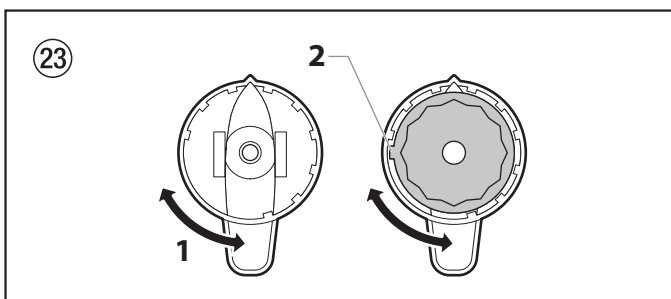
13. Placer le nouveau bouton de la soupape PRIME/SPRAY (AMORÇAGE/PULVÉRISATION) sur la came avec le pointeur du bouton (fig. 22, pos. 1) le plus près possible de la position 9 h. S'assurer que le bouton est complètement poussé sur la came (le bouton devrait couvrir complètement la came).



La fig. 23 ci-dessous montre la vue arrière du bouton de la soupape de retour. Le bouton est conçu pour permettre un mouvement de 90° entre les positions SPRAY (PULVÉRISATION) et PRIME (AMORÇAGE).

L'intérieur du bouton a une ouverture de 90° (fig. 23, pos. 1) dans sa circonférence où la languette de la came (2) devrait être positionnée afin de permettre ce mouvement.

Lorsqu'on place le bouton avec la flèche à la position 9 h, il faut s'assurer que la languette sur la came se trouve dans l'ouverture de 90° à l'intérieur du bouton. Ensuite, il faut s'assurer que le bouton est à la fin de son mouvement dans le sens horaire (dans la position SPRAY (PULVÉRISATION)) avant de continuer les directives.



14. Tourner lentement le bouton dans le sens antihoraire jusqu'à ce que le bas du bouton se déplace au point de toucher le bas de la came (environ 5 à 7°).

15. Placer l'agrafe de serrage sur la tige de l'ensemble tige/bille où la tige traverse la partie encastrée du bouton.
16. À l'aide d'un tourne-écrou de 8 mm (5/16 po), pousser l'agrafe dans la partie encastrée du bouton avec une pression stable et égale jusqu'à ce qu'elle s'arrête.



Attention

Ne pas frapper l'agrafe d'un marteau ou la branler en place, cela l'endommagera.

17. Tourner la soupape de retour à la position PRIME (AMORÇAGE) (↻).
18. Démarrer le pistolet de pulvérisation et passer de l'eau dans le système afin de vérifier l'existence possible de fuites. S'il n'y a pas de fuites, le pistolet est prêt à servir.

6.6 Entretien de la section des liquides

Suivre les procédures suivantes pour remplacer les joints d'étanchéité et les garnitures d'étanchéité de la section des liquides.



La trousse de garnitures d'étanchéité (no de pièce 759-36) est disponible. Pour obtenir de meilleurs résultats, employer toutes les pièces contenues dans cette trousse.

Démontage de la section des liquides (figure 25)



Avant de continuer, suivez la procédure de réduction de pression précédemment exposée dans ce manuel. Respectez également tous les autres avertissements afin de minimiser les risques de blessures dus à des projections ou à des pièces mobiles ou les risques de décharge électrique.

1. Retirer l'ensemble d'aspiration.
2. Retirer le couvercle avant et les trois vis qui le fixe à l'aide d'un tournevis Torx T20.
3. Retirer la vis de bobinage (1) et la rondelle (2) qui fixe la goupille (3). La goupille raccorde le bloc de bobinage (4) au piston (5).
4. À l'aide de pinces, retirer la goupille (3).
5. Tourner l'arbre de la pompe de façon à ce que le piston (5) soit au point mort bas. Cela peut s'effectuer en poussant sur le bloc de bobinage (4). Cela est nécessaire pour démonter toutes les pièces.
6. Dévisser et retirer la soupape Sureflo (6) (consulter la procédure de nettoyage de la soupape Sureflo dans la section « Nettoyage » du présent manuel).
7. Retirer l'ensemble du piston en poussant sur le piston près du bloc de bobinage.



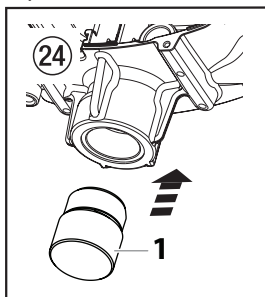
Attention

Ne pas tenter de retirer les joints d'étanchéité (5a) du piston.

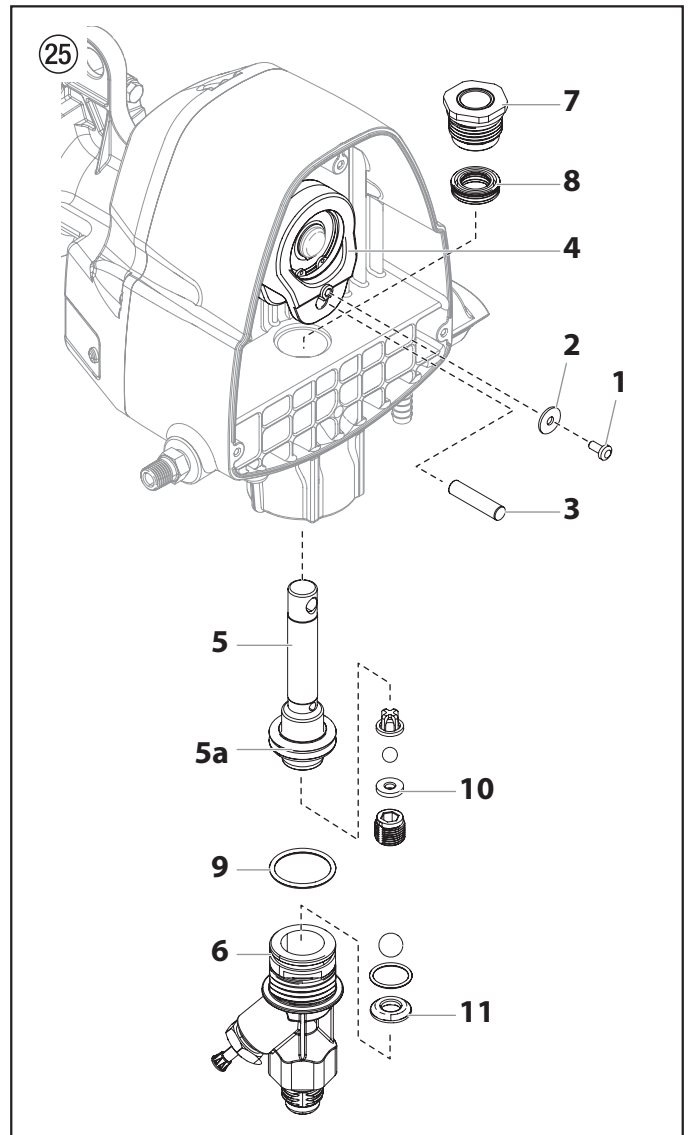
8. Dévisser et retirer l'écrou du dessus (7) à l'aide d'une clé ajustable.
9. Retirer le joint d'étanchéité usé (8) à l'aide d'un tournevis à tête plate ou d'un poinçon. Retirer le joint d'étanchéité du dessus en appuyant contre le côté du joint d'étanchéité et en l'enlevant. S'assurer de ne pas égratigner le boîtier où se trouvent les joints toriques.
10. Nettoyer l'endroit où seront installés les nouveaux joints toriques.

Assemblage de la section des liquides

1. Lubrifier le nouveau joint torique du dessus (8) avec du lubrifiant à piston (no de pièce 314-480) ou de l'huile domestique et placer le joint d'étanchéité à la main, avec la coupe du joint vers le bas, dans l'orifice du dessus du boîtier.
2. Placer une petite quantité d'antigrappant sur le filetage de l'écrou du dessus. Placer l'écrou du dessus dans le dessus du boîtier et serrer avec une clé ajustable. Cela placera le joint d'étanchéité du dessus dans la bonne position.
3. Lubrifier le joint d'étanchéité sur le piston/l'ensemble de joint d'étanchéité de manière semblable au joint d'étanchéité du dessus. Placer le piston/l'ensemble de joint d'étanchéité dans le fond du boîtier. Insérer l'outil d'insertion (figure 24, article 1) et le pousser en place pour bien placer le piston/joint d'étanchéité. Retirer l'outil d'insertion.



4. Installer le nouveau joint d'étanchéité (9) sur la soupape Sureflo, lubrifier avec du lubrifiant à piston (no de pièce 314-480), visser dans le fond (orifice d'entrée) du boîtier et serrer à l'aide d'une clé ajustable. Cela placera le joint d'étanchéité du fond dans la bonne position.
5. Aligner le piston au bloc de bobinage. S'assurer de ne pas endommager le piston.
6. Appliquer n'importe quel type de graisse de ménage sans silicone au piston et au bloc de bobinage afin de prolonger la durée de vie. L'appliquer aux trous du bloc de bobinage où on insère la goupille.
7. Installer la goupille afin de raccorder le bloc de bobinage au piston. Il peut être nécessaire de monter ou de descendre le piston pour l'aligner au bloc de bobinage.
8. Installer la vis de bobinage et la rondelle pour fixer la goupille.
9. Tourner la pompe à l'endroit et appliquer quelques gouttes de lubrifiant à piston ou d'huile domestique entre l'écrou du dessus et le piston. Cela prolongera la durée de vie du joint d'étanchéité.
10. Installer le couvercle avant et les trois (3) vis.
11. Replacer la soupape Sureflo et installer l'ensemble d'aspiration.
12. Démarrer le pulvérisateur en suivant les directives de la rubrique « Fonctionnement » du présent manuel, et s'assurer qu'il n'y a aucune fuite.



7. Dépannage

Problème

Cause

Solution

A. L'appareil ne fonctionne pas.

1. La pression est trop basse.
2. Le câblage est défilant ou desserré.
3. Le réservoir à essence est vide.

1. Tourner lentement le bouton de régulation de la pression DirectLink dans le sens antihoraire afin d'augmenter la pression.
2. Procédez à un contrôle ou emmenez l'appareil dans un centre technique agréé.
3. Remplissez le réservoir à essence.

B. L'appareil ne s'amorce pas.

1. La soupape de retour se trouve dans la position SPRAY (PULVÉRISATION).
2. Le tube du siphon / l'ensemble siphon présente une fuite d'air.
3. La crépine d'aspiration est obstruée.
4. Le tube du siphon / l'ensemble siphon est obstrué.
5. La soupape Sureflo est sèche.
6. La boule de la valve Sureflo est bloquée.

1. Tourner la soupape de retour dans le sens des aiguilles d'une montre à la position PRIME (AMORÇAGE).
2. Vérifiez le raccord canne d'aspiration/siphon ; resserrez-le ou remplacez-le s'il est endommagé.
3. Retirer et nettoyer la crépine d'aspiration.
4. Enlevez le tube du siphon / l'ensemble du siphon puis nettoyez-le.
5. Injecter du lubrifiant à piston Piston Lube dans le soupape Sureflo.
6. Pendant que le moteur tourne, appuyer entièrement sur la tige du poussoir pour s'assurer que la bille d'entrée est libre.

C. L'appareil ne parvient pas à faire monter ni à maintenir la pression.

1. L'embout de pulvérisation est usé.
2. L'embout de pulvérisation est trop grand.
3. Le filtre du pistolet ou la crépine d'aspiration est obstrué.
4. La peinture s'écoule du tuyau de retour lorsque la soupape de retour se trouve dans la position SPRAY (PULVÉRISATION).
5. Le tube du siphon / l'ensemble siphon présente une fuite d'air.
6. Il y a une fuite de liquide externe.
7. Il y a une fuite interne dans la section des liquides (les joints d'étanchéité sont usés et/ou sales, les billes de soupape sont usées).
8. Les sièges des clapets sont usés (fig. 25, pos. 10, 11).

1. Remplacez l'embout de pulvérisation en suivant les consignes fournies avec le pistolet pulvérisateur.
2. Remplacer la buse de pulvérisation par une buse ayant un plus petit orifice en suivant les instructions du présent manuel.
3. Le filtre du pistolet ou la crépine d'aspiration est obstrué.
4. Nettoyer ou remplacer la soupape de retour.
5. Vérifiez le raccord canne d'aspiration/siphon ; resserrez-le ou remplacez-le s'il est endommagé.
6. Assurez-vous de l'absence de fuites externes au niveau de tous les raccordements. Resserrez au besoin.
7. Nettoyez les clapets et procédez à l'entretien de la section des liquides en suivant la procédure « Entretien de la section des liquides » du paragraphe « Maintenance » de ce manuel.
8. Retournez ou remplacez les sièges des clapets en appliquant la procédure « Entretien de la section des liquides » du paragraphe « Réparations de l'appareil » de ce manuel.

D. Le liquide fuit à l'extrémité supérieure de la section des liquides.

1. Les garnitures supérieures sont usées.
2. La tige du piston est usée.

1. Changez les garnitures de la pompe en suivant la procédure intitulée Entretien du système hydraulique du chapitre Entretien/Réparation de ce manuel.
2. Changez la tige du piston en suivant la procédure intitulée Entretien du système hydraulique du chapitre Entretien/Réparation de ce manuel.

E. Le pistolet pulvérisateur présente une surtension excessive.

1. Le type de tuyau de pulvérisation sans air est incorrect.
2. L'embout de pulvérisation est usé ou trop grand.
3. La pression est excessive.

1. Remplacez le tuyau par un tuyau de pulvérisation de peinture sans air à tresses textiles mis à la terre, d'une longueur minimale de 15 m et d'un diamètre de 6,35 mm.
2. Remplacer la buse de pulvérisation en suivant les instructions du présent manuel.
3. Tourner lentement le bouton de régulation de la pression DirectLink dans le sens horaire pour diminuer la pression.

F. La pulvérisation est mauvaise.

1. L'embout de pulvérisation est trop grand pour le produit à utiliser.
2. Le réglage de la pression est incorrect.
3. L'écoulement du liquide est insuffisant.
4. Le produit à pulvériser est trop visqueux.

1. Remplacer la buse de pulvérisation par une buse ayant un plus petit orifice en suivant les instructions du présent manuel.
2. Régler le bouton de régulation de la pression DirectLink jusqu'à l'obtention de la forme de jet recherchée.
3. Nettoyez toutes les grilles et les filtres.
4. Ajoutez du solvant au produit en respectant les recommandations du fabricant.

G. L'appareil manque de puissance.

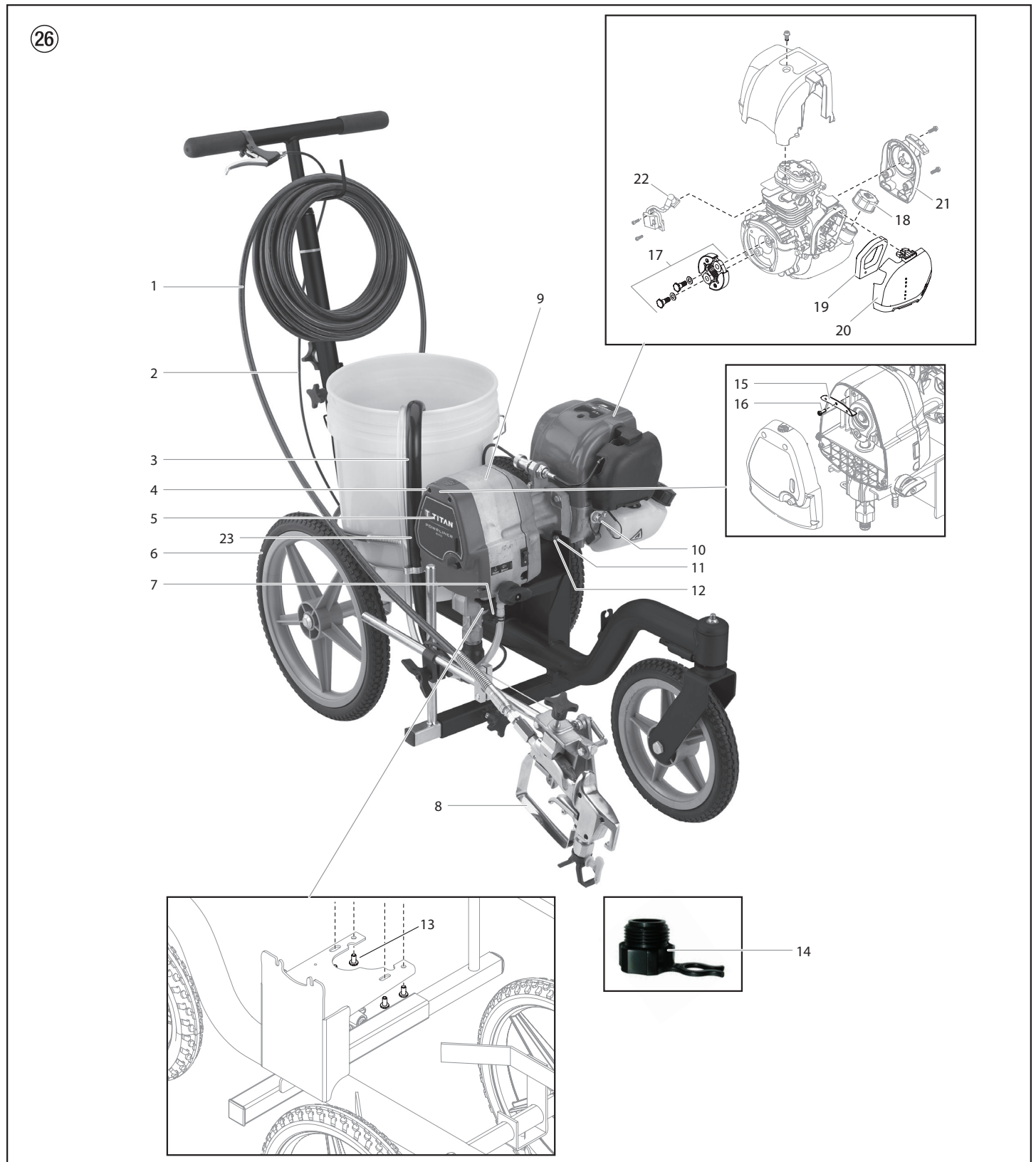
1. Le réglage de pression est trop bas.

1. Confier l'appareil à un centre d'entretien reconnu.

ⓐ Main Assembly

ⓓ Hauptbaugruppe

ⓕ Ensemble principal



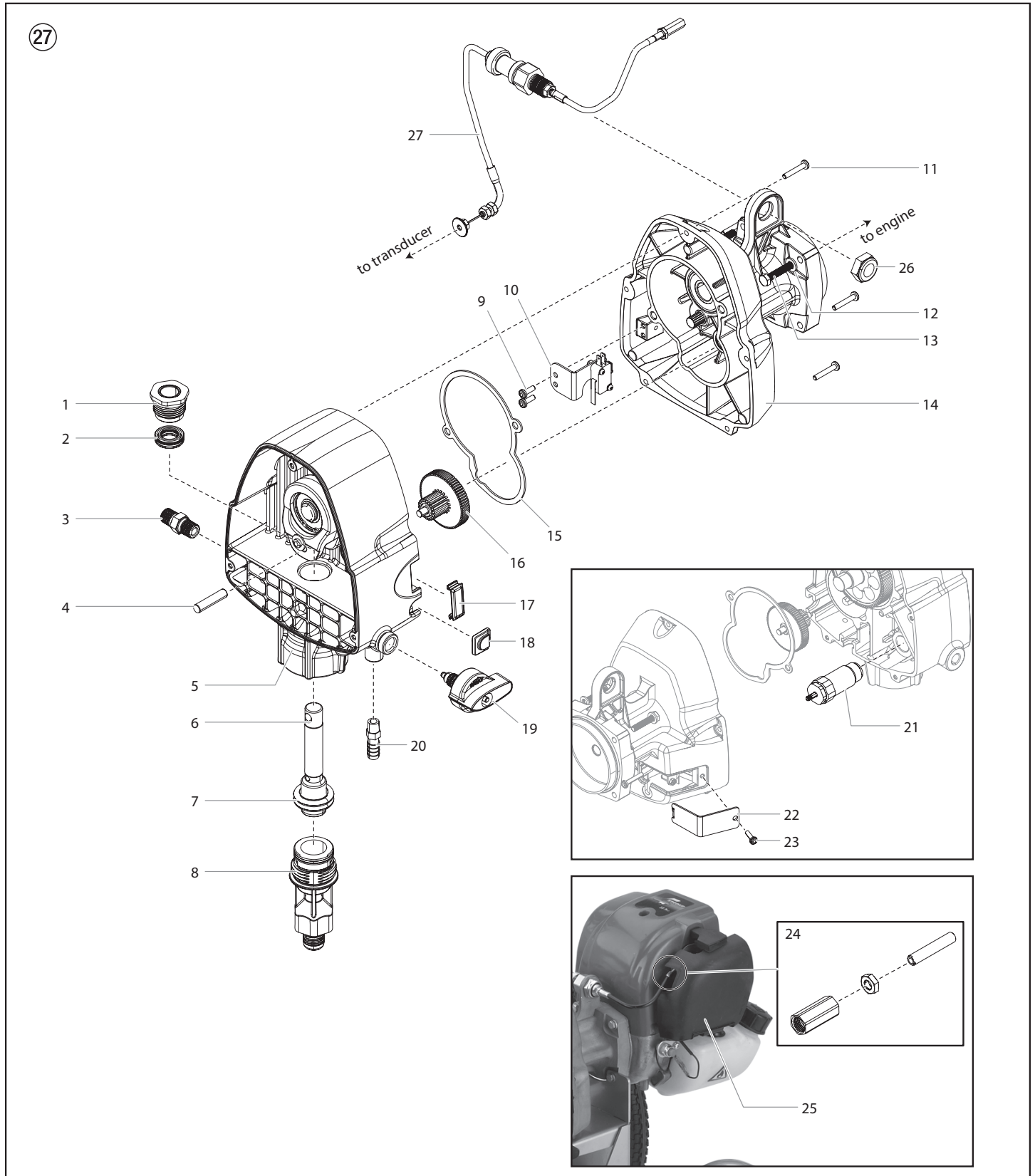
#	PL850	(GB) Description	(D) Benennung	(F) Description
1	316-505	Spray hose	Schlauch	Tuyau
2	0293169	Gun cable	Pistolenkabel	Câble de pistolet
3	0293932	Suction set assembly	Baugruppe Sauggarnitur	Ensemble du dispositif d'aspiration
4	9805251	Front cover screw	Schraube vordere Abdeckung	Vis du couvercle avant
5	0293933	Front cover	Vordere Abdeckung	Couvercle avant
6*	-----	Cart assembly	Wagenbaugruppe	Ensemble de chariot
7	0327226	Return tube clip	Klammer Rücklaufschlauch	Attache du tube de retour
8*	-----	Spray gun assembly	Baugruppe Spritzpistole	Ensemble de pistolet pulvérisateur
9*	-----	Drive assembly*	Antriebseinheit*	Boîte d'engrenages*
10	0293930	Shutoff switch	Abschaltknopf	Commutateur d'arrêt
11	858-003	Washer	Scheibe	Rondelle
12	759-107	Engine mounting screw	Montageschraube Motor	Vis de montage de moteur
13	9805250	Gear housing mounting screw	Montageschraube Getriebegehäuse	Vis de montage de carter d'engrenages
14	0515281	Cleaning adapter	Reinigungsadapter	Adaptateur de nettoyage
15	0523561	Mounting bracket	Haltebügel	Support de fixation
16	9805251	Screw	Schraube	Vis
17	0293929	Clutch assembly	Baugruppe Kupplung	Bloc d'embrayage
18	0293928	Gas cap assembly	Baugruppe Tankdeckel	Bouchon de réservoir à essence
19	0293926	Filter	Filter	Filtre
20	0293927	Filter cover	Filterabdeckung	Couvercle de filtre
21	0293966	Recoil assembly	Recoil Montage	Ensemble de rétraction
22	0293974	Ignition coil	Zündspule	Bobine d'allumage
23	-----	Serial label	Serien Etikette	Étiquette de série

* See separate listing / Siehe separate Auflistung / voir la liste de pièces distincte

Ⓒ Drive Assembly

Ⓓ Baugruppe Antrieb

Ⓕ Ensemble moteur

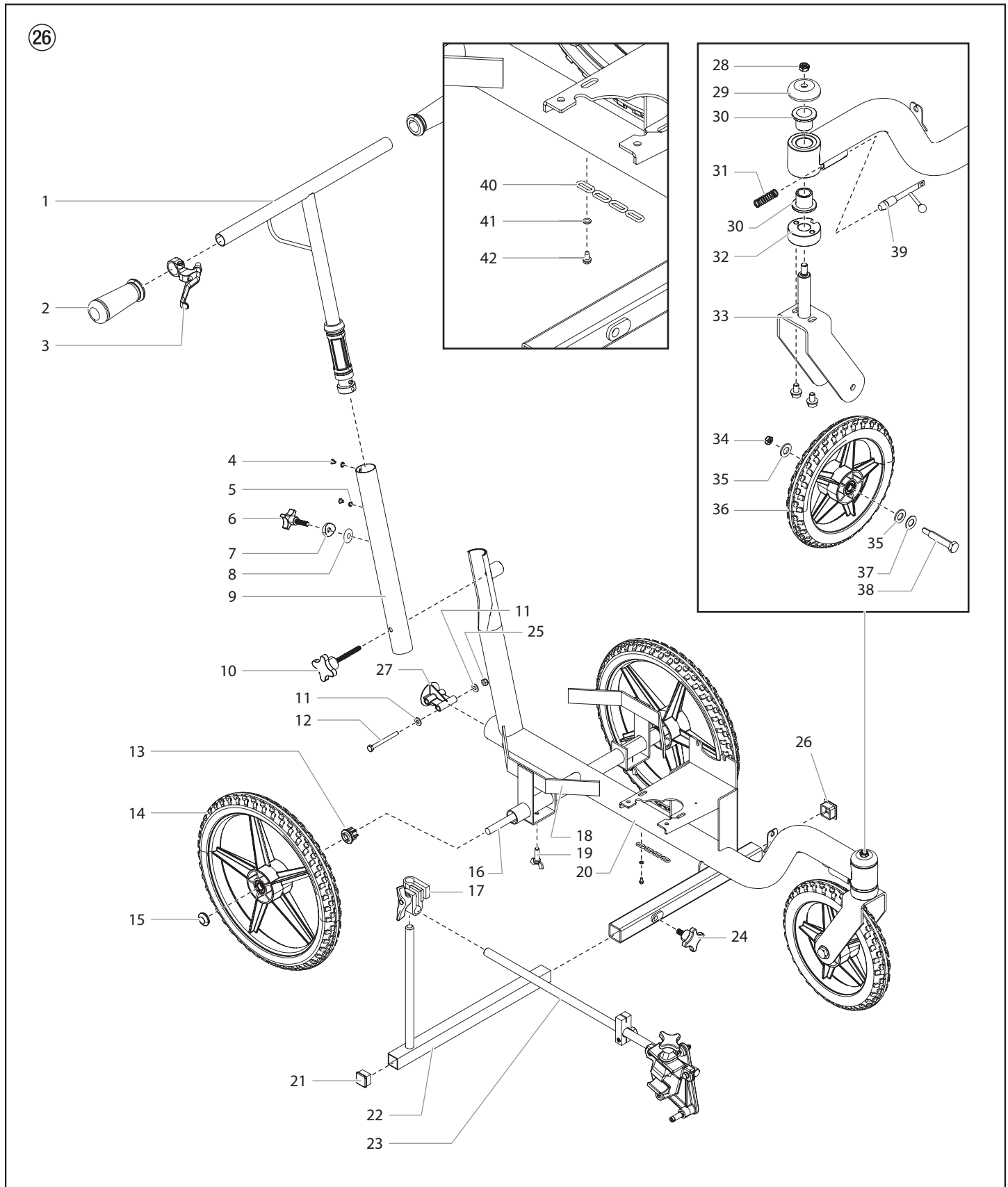


#	PL850	(GB) Description	(D) Benennung	(F) Description
1	0512387	Top nut	Obere Mutter	Écrou de dessus
2	0516302	Upper packing	Obere Packung	Garniture d'étanchéité supérieure
3	0516300	Hose fitting	Schlaucharmatur	Raccord de tuyau
4	-----	Dowel pin	Spannstift	Goupille
5	0293931A	Pump housing assembly (includes item 4)	Baugruppe Pumpgehäuse (beinhaltet Pos. 4)	Dispositif de boîtier de la pompe (inclut l'article 4)
6	0290122	Piston assembly	Kolbenbaugruppe	Piston
7	0512533	Lower seal	Untere Dichtung	Joint d'étanchéité inférieur
8	759-379	Sureflo valve assembly	Baugruppe Sureflo Ventil	Soupape Sureflo
9	9805251	Screw	Schraube	Vis
10	0293935	Microswitch assembly	Baugruppe Mikroschalter	Ensemble du microcommutateur
11	9805274	Screw	Schraube	Vis
12	858-003	Washer	Scheibe	Rondelle
13	759-107	Screw	Schraube	Vis
14	0293936	Clutch assembly (includes items 9-10)	Baugruppe Kupplung (beinhaltet Pos. 9-10)	Bloc d'embrayage (inclut les articles 9 et 10)
15	0293483	Gearbox gasket	Dichtung Getriebe	Joint statique de la boîte d'engrenages
16	0293938	Gear assembly	Baugruppe Getriebe	Engrenage
17	759-222	Plug	Stopfen	Bouchon
18	558460	Plug	Stopfen	Bouchon
19	759-380	Relief valve assembly	Baugruppe Ablassventil	Soupape de retour
20	9885553	Return tube fitting	Armatur Rücklaufschlauch	Raccord du tube de retour
21	0293939	Transducer assembly	Baugruppe Wandler	Assemblage du transducteur
22	0293481	Access cover	Abdeckung	Couvercle d'accès
23	9805410	Screw	Schraube	Vis
24	0293941	Adjustment rod assembly	Baugruppe Stellstange	Assemblage de la tige de réglage
25	0293943	Engine	Motor	Moteur
26	0293499	Throttle cable nut	Mutter Drosselkabel	Écrou du câble de l'étrangleur
27	0293944	Throttle cable assembly	Baugruppe Drosselkabel	Ensemble de câbles de l'étrangleur
	759-365	Fluid section repacking kit (includes items 1-2, 6-7, ball and O-ring)	Fluidabschnitt Repacking-Kit (beinhaltet Pos. 1-2, 6-7, Kugel und O-Ring)	Trousse de garnitures de la section des liquides (inclut les articles 1 à 2, 6 à 7, bille et joint torique)

Ⓒ GB Cart Assembly

Ⓓ D Wagenbaugruppe

Ⓕ F Ensemble de chariot



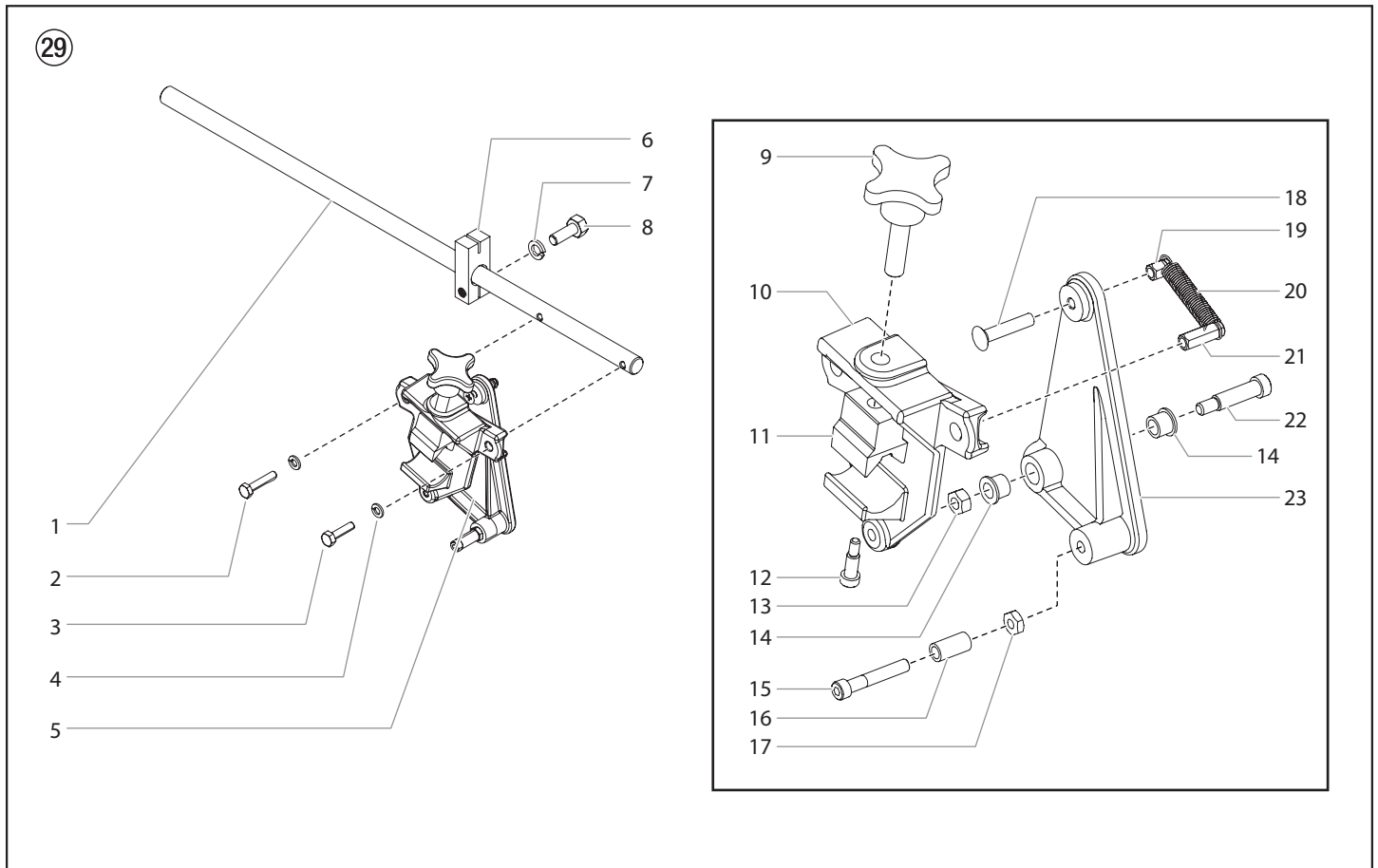
#	PL850	(GB) Description	(D) Benennung	(F) Description
1	0293945	Handle assembly	Baugruppe Handgriff	Ensemble de poignée
2	424-245	Handle grip	Handgriff	Poignée
3	759-215	Lever assembly	Hebelbaugruppe	Levier
4	856-921	Screw	Schraube	Vis
5	856-002	Washer	Scheibe	Rondelle
6	0293508	Adjustment knob	Einstellknopf	Bouton de réglage
7	0293521	Handle spacer	Abstandhalter Handgriff	Entretoise de la poignée
8	0293594	Rubber film	Gummifolie	Film en caoutchouc
9	0293949	Middle tube	Mittlerer Schlauch	Tube moyen
10	0293537	Knob	Knopf	Bouton
11	858-001	Washer	Scheibe	Rondelle
12	0293507	Screw	Schraube	Vis
13	0516571	Bushing	Buchse	Manchon
14	759-293A	Wheel (2)	Rad (2)	Roue (2)
15	9890113	Wheel cap	Raddeckel	Enjoliveur de roue
16	759-194	Axle	Achse	Essieu
17	759-329	Clamp assembly	Baugruppe Klemme	Ensemble de serrage
18	759-283	Bucket holder	Eimerhalterung	Support à seau
19	759-320	Screw	Schraube	Vis
20	0293952	Cart weldment (includes items 30 [2], 31-32 and 39)	Schweißkonstruktion Wagen (beinhaltet Pos. 30 [2], 31-32 und 39)	Assemblage soudé du chariot (inclut les articles 30 [2], 31 à 32 et 39)
21	756-056	Plug	Stopfen	Bouchon
22	759-188	Gun post assembly	Baugruppe Pistolenständer	Assemblage du poteau à pistolet
23*	0509171A	Gun holder assembly (see separate listing)	Baugruppe Pistolenhalterung (siehe separate Liste)	Ensemble de support à pistolet (voir liste séparée)
24	759-306	Knob	Knopf	Bouton
25	770-144	Nut	Mutter	Écrou
26	757-055	Plug	Stopfen	Bouchon
27	0293519	Plug	Stopfen	Bouchon
28	759-456	Nut	Mutter	Écrou
29	0293511	Retainer	Halter	Rondelle de retenue
30	0293512	Bearing, flanged (2)	Lager, abgeflanscht (2)	Palier à collerette (2)
31	756-087	Spring	Feder	Ressort
32	0293957	Fork disk	Gabelscheibe	Disque de fourche
33	0293958	Fork leg	Gabelbein	Jambe de fourche
34	759-456	Nut	Mutter	Écrou
35	0293581	Spacer	Abstandhalter	Entretoise
36	759-298	Wheel	Rad	Roue
37	759-439	Washer	Scheibe	Rondelle
38	0293516	Front axle	Vordere Achse	Essieu avant
39	0293963	Locking pin	Sperrbolzen	Tige de blocage
40	759-326	Grounding chain	Erdungskette	Chaînette de mise à la terre
41	759-440	Washer	Scheibe	Rondelle
42	759-325	Screw	Schraube	Vis
	0293970	Cable assembly kit	Kabelbaugruppesatz	Trousse de ensemble de câbles

* See separate listing / Siehe separate Auflistung / voir la liste de pièces distincte

(GB) Gun Holder Assembly

(D) Baugruppe Pistolenhalter

(F) Ensemble de support à pistolet

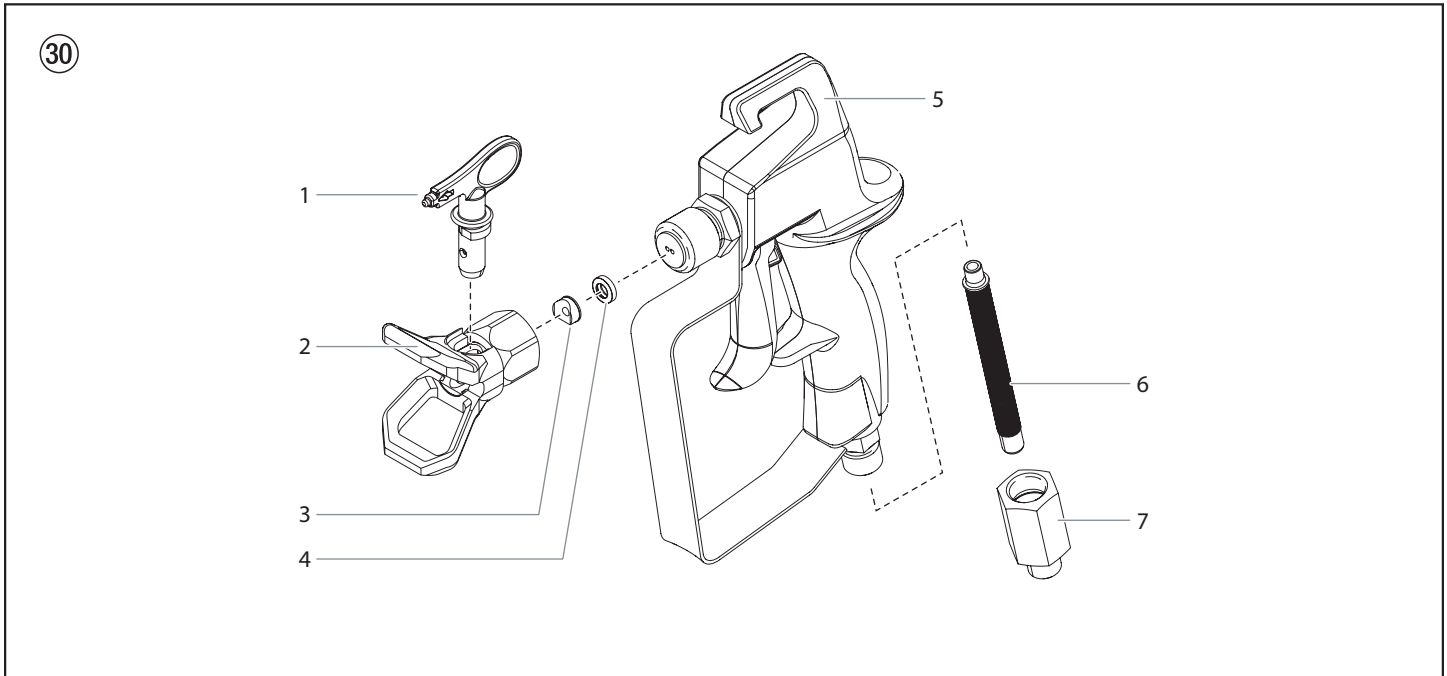


#	PL850	(GB) Description	(D) Benennung	(F) Description
1	759-415	Support arm	Stützarm	Bras de support
2	858-644	Screw	Schraube	Vis
3	858-636	Screw	Schraube	Vis
4	858-002	Washer	Scheibe	Rondelle
5	-----	Gun holder assembly (includes items 9-23)	Baugruppe Pistolenhalterung (beinhaltet Pos. 9-23)	Ensemble de support à pistolet (inclut les articles 9 à 23)
6	759-414	Clamp	Klammer	Attache
7	0509292	Washer	Scheibe	Rondelle
8	862-436	Screw	Schraube	Vis
9	756-034	Clamping knob	Klemmungsknopf	Bouton de serrage
10	424-201CEI	Gun holder	Spritzpistolenhalter	Support du pistolet
11	759-316	Clamp block	Klemmblock	Bloc de blocage
12	756-037	Screw	Schraube	Vis
13	9810108	Nut	Mutter	Écrou
14	424-248	Flange bearing (2)	Flanschlager (2)	Palier applique (2)
15	858-653	Screw	Schraube	Vis
16	424-249	Sleeve bearing	Gleitlager	Palier applique
17	858-603	Nut	Mutter	Écrou
18	703-079	Screw	Schraube	Vis
19	759-056	Spring holder (short)	Federhalter (kurz)	Support de ressort (court)
20	0509781	Return spring	Rückholfeder	Ressort de rappel
21	759-057	Spring holder (long)	Federhalter (lang)	Support de ressort (long)
22	860-936	Screw	Schraube	Vis
23	424-202	Lever	Hebel	Levier

(GB) Spray Gun

(D) Spritzpistole

(F) Pistolet pulvérisateur

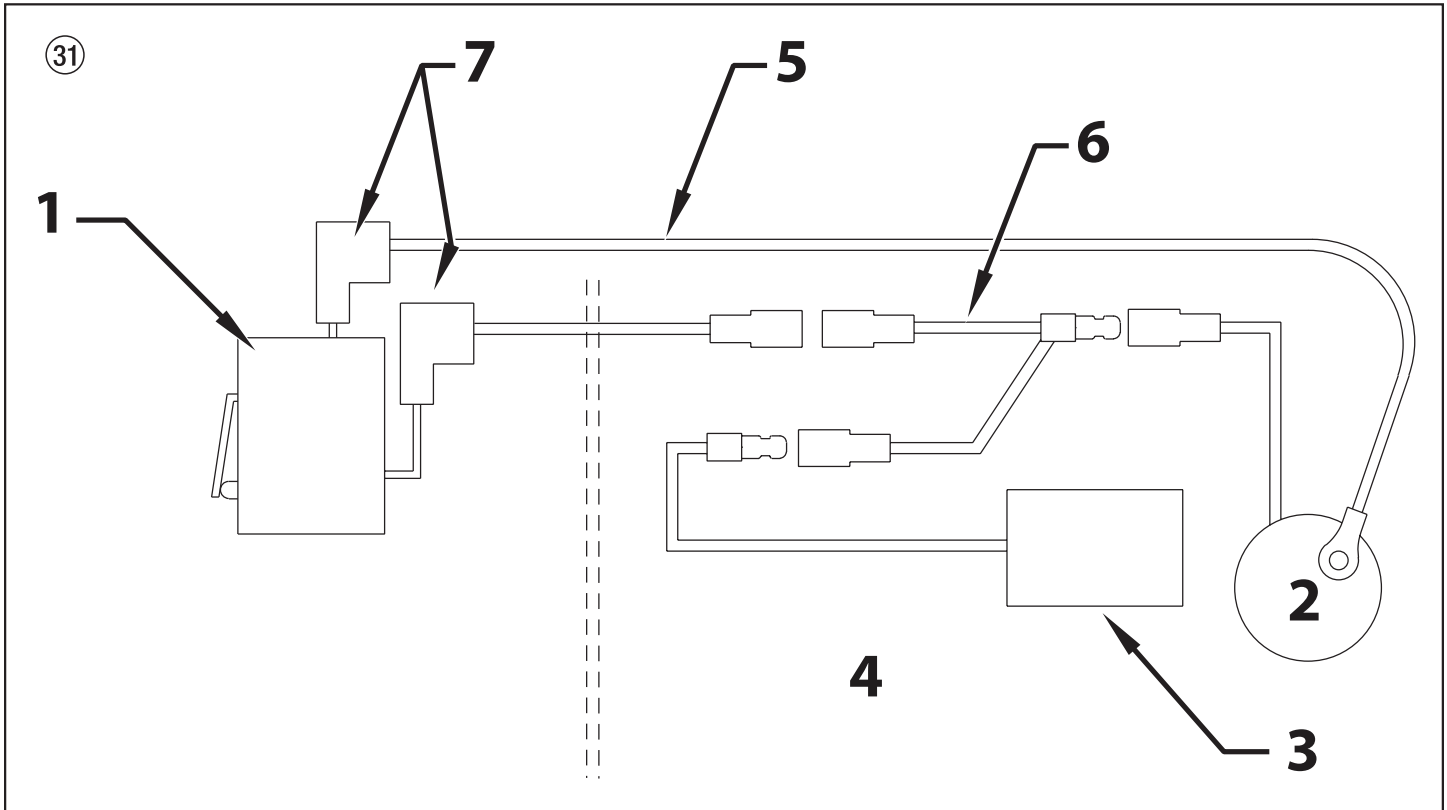


#	PL850	(GB) Description	(D) Benennung	(F) Description
1	697-417	Tip assembly (not included with spray gun)	Düsenbaugruppe (nicht in der Spritzpistole enthalten)	Embout (non inclus avec le pistolet pulvérisateur)
2	0289228	Guard assembly	Baugruppe Schutzvorrichtung	Ensemble du protecteur
3	0297007	Tip seal retainer	Halterung Düsendichtung	Disque de retenue du joint de buse
4	651-020	Tip seal	Düsendichtung	Joint de buse
5	759-369	Gun assembly	Pistolenbaugruppe	Ensemble de pistolet
6	581-060	Filter, medium (white)	Filter, mitte (weiß)	Filtre, qualité moyen (blanc)
7	0278357	Fitting	Anschluss	Raccord

(GB) Connection Diagram

(D) Schaltplan

(F) Schéma électrique



#	PL850	(GB) Description	(D) Benennung	(F) Description
1	0293935	Microswitch	Mikroschalter	Microcommutateur
2	-----	Engine	Benzinmotor	Moteur
3	0293930	Shutoff switch	Abschaltknopf	Commutateur d'arrêt
4	-----	Engine compartment	Motorraum	Compartment moteur
5	0293145	Wire assembly, ground	Baugruppe Erdungsleitung	Ensemble de câbles, mis à la terre
6	759-339	Wire assembly	Leitungsstrang	Groupe de fils
7	-----	Connector, 90° female quick connect (2)	Steckverbinder, 90° weiblich (2)	Connecteur, 90° femme (2)



All electrical work should be performed by an authorized service center.

Alle elektrischen Arbeiten müssen von einem autorisierten Kundenservice durchgeführt werden.

Tous les travaux électriques doivent être effectués par un centre d'entretien reconnu.

(GB) TR¹ Striping tips

(D) TR¹ Streifendüsen

(F) Buses de rayage TR¹

Titan's TR¹ line striping tips provide razor sharp line edges, consistent line width, and uniform film thickness. They also reduce wasted paint and increase striper profits.

Select tips by their orifice size and fan (line) width. Determine the desired fan (line) width for the job and then the orifice size that will supply the necessary amount of fluid for proper atomization. For light viscosity fluids, use smaller orifice tips. For heavier viscosity materials, larger orifice tips are preferred.

Understanding Striping Tips

Example A: With the same fan (line) width, a larger orifice applies a greater volume of paint to the area.

Example B: With the same orifice size positioned 6" above the surface, a larger fan (line) width means the same paint amount is being applied to a greater area.

Die TR¹ Striping Tip Düsen von Titan bieten messerscharf gezogene Linienkanten, eine konstante Linienbreite und eine gleichmäßige Schichtdicke. Sie minimieren auch die Verschwendung von Farbe, wodurch die Gewinne der Straßenmarkierer maximiert werden.

Spitzen wählen Sie nach ihrer Düsengröße und Fächerbreite (Linie) aus. Bestimmen Sie die gewünschte Fächerbreite (Linie) für den Auftrag und dann die Düsengröße, die die erforderliche Flüssigkeitsmenge für eine ordnungsgemäße Zerstäubung ermöglicht. Verwenden Sie für Flüssigkeiten mit leichter Viskosität kleinere Düsen spitzen. Für Materialien mit schwererer Viskosität werden Spitzen mit größeren Öffnungen bevorzugt.

Düsen für Straßenmarkierungen verstehen

Beispiel A: Bei gleicher Fächerbreite (Linie) trägt eine größere Öffnung ein größeres Farbvolumen auf den Bereich auf.

Beispiel B: Bei einer gleichen Düsengröße, die 6" über der Oberfläche positioniert wird, bedeutet eine größere Fächerbreite (Linie), dass die gleiche Farbmenge auf eine größere Fläche aufgetragen wird.

Les buses de rayage de lignes TR¹ de Titan offrent des bords de ligne à traçage très précis, une largeur de ligne constante et une épaisseur de couche uniforme. Elles réduisent également le gaspillage de peinture et augmentent les bénéfices des traceurs.

Sélectionnez les buses en fonction de la taille de leur orifice et de la largeur de répartition (ligne). Déterminez la largeur de répartition (ligne) souhaitée pour le travail, puis la taille de l'orifice qui fournira la quantité de fluide nécessaire pour une atomisation appropriée. Pour les fluides à faible viscosité, utilisez des buses à orifice plus petit. Pour les matériaux à viscosité plus élevée, il est préférable d'utiliser des buses à orifice plus grand.

Comprendre les astuces du rayage

Exemple A : Avec la même largeur de répartition (ligne), un orifice plus grand applique un plus grand volume de peinture sur la zone.

Exemple B : Avec la même taille d'orifice positionnée à 15 cm au-dessus de la surface, une plus grande largeur de répartition (ligne) signifie que la même quantité de peinture est appliquée sur une plus grande surface.

Example A • Beispiel A • Exemple A		
Tip Number • Düsennummer • Numéro de buse	419	423
Orifice size • Düsengröße • Taille de l'orifice	.019	.023
Fan (line) width • Fächerbreite (Linie) • Largeur de répartition (ligne)	4" (10 cm)	4" (10 cm)
Film thickness • Schichtdicke • Épaisseur de couche	Least • am wenigsten • Le moins	Most • am meisten • Le plus

Example B • Beispiel B • Exemple B			
Tip Number • Düsennummer • Numéro de buse	219	419	619
Orifice size • Düsengröße • Taille de l'orifice	.019	.019	.019
Fan (line) width • Fächerbreite (Linie) • Largeur de répartition (ligne)	2" (5 cm)	4" (10 cm)	6" (15 cm)
Film thickness • Schichtdicke • Épaisseur de couche	Most • am meisten • Le plus		Least • am wenigsten • Le moins

Recommended tip sizes for common applications

Orifice Size Range (inches)	Application	Gun Filter (mesh)	Pump Manifold Filter (mesh)
0.013" – 0.017"	Stencil and athletic field lines	Medium	Medium
0.017" – 0.023"	Standard traffic paints	Medium	Medium

NOTE: Consult with your coating's technical datasheet for filter and tip size suggestions.

Empfohlene Spitzengrößen für gängige Anwendungen

Größenbereich der Öffnung (Inches)	Anwendung	Pistolenfilter (Mesh)	Pumpenverteilterfilter (Mesh)
0,013" – 0,017"	Schablone und Sportfeldlinien	Mittel	Mittel
0,017" – 0,023"	Standardmäßige Verkehrsfarben	Mittel	Mittel

HINWEIS: Informationen zu Filter- und Düsengrößenvorschlägen finden Sie im technischen Datenblatt Ihrer Beschichtung.

Tailles de buse recommandées pour les applications courantes

Plage de dimensions des orifices (pouces)	Application	Filtre de pistolet (maille)	Filtre de collecteur de pompe (maille)
0,013" – 0,017"	Pochoir et lignes de terrain de sport	Moyen	Moyen
0,017" – 0,023"	Peintures de signalisation sur route standard	Moyen	Moyen

REMARQUE : Consultez la fiche technique de votre revêtement pour des suggestions de taille de filtre et de buse.

ⓐ TR¹ Striping Tip Chart

ⓓ TR¹ Streifendüsentabelle

ⓕ Tableau de buse de rayage TR¹

Easy-to-Understand Tip Sizes

- Part Number: 697 – XYY
- X = Width of stripe (inches) when sprayed 6" from surface
- YY = Orifice size in thousandths of an inch
- Example: 419 = 4" wide stripe with a 0.019" orifice

Leicht verständliche Düsendrößen

- Artikelnummer: 697 – XYY
- X = Breite des Streifens (Inches) beim Aufsprühen auf die Oberfläche mit einem Abstand von 6"
- YY = Öffnungsgröße in Tausendstel Zoll
- Beispiel: 419 = 4" breiter Streifen mit einer 0,019" Öffnung





Tailles de buse faciles à comprendre

- Numéro de pièce : 697 – XYY
- X = Largeur de la bande (centimètre) lorsque la pulvérisation est à 15 cm de la surface
- YY = taille de l'orifice en millièmes de centimètre
- Exemple : 419 = bande large de 4" avec un orifice de 0,019"

		ORIFICE SIZE (INCHES)						
FAN PATTERN WIDTH	INCHES	MM	0.013	0.015	0.017	0.019	0.021	0.023
	2	51	213	215	217	219		
	4	102	413	415	417	419	421	423
	6	152		615	617	619	621	623
	8-10	203-254					821	823
	Flow (GPM)		0.18	0.24	0.31	0.39	0.47	0.57
	Flow (LPM)		0.68	0.91	1.17	1.47	1.78	2.15

		ÖFFNUNGSGRÖSSE (INCHES)						
BREITE DES FÄCHERMUSTERS	INCHES	MM	0.013	0.015	0.017	0.019	0.021	0.023
	2	51	213	215	217	219		
	4	102	413	415	417	419	421	423
	6	152		615	617	619	621	623
	8-10	203-254					821	823
	Fluss (GPM)		0,18	0,24	0,31	0,39	0,47	0,57
	Fluss (LPM)		0,68	0,91	1,17	1,47	1,78	2,15

		TAILLE DE L'ORIFICE (POUCES)						
LARGEUR DE RÉPARTITION	POUCES	MM	0.013	0.015	0.017	0.019	0.021	0.023
	2	51	213	215	217	219		
	4	102	413	415	417	419	421	423
	6	152		615	617	619	621	623
	8-10	203-254					821	823
	Débit (GPM)		0,18	0,24	0,31	0,39	0,47	0,57
	Débit (LPM)		0,68	0,91	1,17	1,47	1,78	2,15

PL850	(GB) Description	(D) Benennung	(F) Description
	Liquid Shield Plus Cleans and protects spray systems against rust, corrosion and premature wear. Now with -25°F anti-freeze protection.	Liquid Shield Plus Reinigt und schützt Sprühsysteme vor Rost, Korrosion und vorzeitigem Verschleiß. Jetzt mit Frostschutz bis -25°.	Liquid Shield Plus Liquid Shield Plus nettoie les systèmes de vaporisation et les protège de la rouille, de la corrosion et de l'usure prématurée. Il offre désormais une protection antigel -25°.
314-483	Liquid shield Plus, 4 ounce bottle	Liquid shield Plus, Flasche mit 112 g Inhalt	Liquid shield Plus, Bouteille d'environ 112 ml (4 onces)
314-482	Liquid shield Plus, 1 quart bottle	Liquid shield Plus, Flasche mit 1 L Inhalt	Liquid shield Plus, 1 bouteille d'environ 500 ml (1 pinte)
	Piston Lube Specially formulated to prevent materials from adhering to the piston rod, which becomes abrasive to the upper seals. Piston Lube will break down any material that may accumulate in the oil cup and keep it from drying.	Piston Lube Mit spezieller Formel, die verhindert, dass Materialien an der Kolbenstange haften bleiben und diese so an den oberen Dichtungen scheuern. Durch das Kolbenschmiermittel werden alle Materialien, die sich im Schmiergefäß sammeln können, beseitigt und ein Antrocknen wird verhindert.	Piston Lube Spécialement formulé pour éviter l'adhérence des produits à la tige des pistons qui endommage les joints supérieurs. Piston Lube décompose tous les matériaux accumulés dans la coupelle à huile qui empêchent le séchage de celle-ci.
314-481	Piston Lube, 4 ounce bottle	Piston Lube, Flasche mit 112 g Inhalt	Piston Lube, Bouteille d'environ 112 ml (4 onces)
314-480	Piston Lube, 1 quart bottle	Piston Lube, Flasche mit 1 L Inhalt	Piston Lube, 1 bouteille d'environ 500 ml (1 pinte)
	Stencil Kit Durable and lay flat for accurate marking. Made from 1/8" (0.15 cm) thick polyethylene sheet.	Schablonen-Kit Dieses Material ist sehr beständig und liegt flach auf der Oberfläche auf, die schabloniert werden soll und ermöglicht genaues Markieren. Die Schablonen bestehen aus 0,15 cm Polyethylen.	Trousse de pochoirs Ce matériau est très résistant et repose à plat sur la surface à peindre pour un marquage net et précis. Les pochoirs sont moulés de polyéthylène de 0,15 cm (1/8 po).
0290932	Stencil kit 1 39" (99 cm) Handicap	Schablonierungs-Kit 1 39" (99 cm) Handicap	Trousse de pochoirs 1 Handicap – 39 po (99 cm)
0290933	Stencil kit 2 39" (99 cm) Handicap 12" (30 cm) No Parking 12" (30 cm) Numbers 0-9	Schablonierungs-Kit 2 39" (99 cm) Handicap 12" (30 cm) Parkverbot 12" (30 cm) Ziffern 0-9	Trousse de pochoirs 2 Handicap – 39 po (99 cm) Stationnement interdit – 12 po (30 cm) Numéros de 0 à 9 – 12 po (30 cm)
0290934	Stencil kit 3 42" (105 cm) Straight and Curved Arrows 39" (99 cm) Handicap 12" (30 cm) Numbers 0-9 4", 12" (10, 30 cm) No Parking 4", 12" (10, 30 cm) Fire Lane 4" (10 cm) Reserved 4" (10 cm) Visitors	Schablonierungs-Kit 3 42" (105 cm) Gerade und gebogene Pfeile 39" (99 cm) Handicap 12" (30 cm) Ziffern 0-9 4", 12" (10, 30 cm) Parkverbot 4", 12" (10, 30 cm) Feuerwehrspur 4" (10 cm) Reserviert 10 cm (4") Besucher	Trousse de pochoirs 3 Flèches droites et incurvées – 42 po (105 cm) Handicap – 39 po (99 cm) Numéros de 0 à 9 – 12 po (30 cm) Stationnement interdit – 4 po, 12 po (10, 30 cm) Voie d'accès en cas d'incendie – 4 po, 12 po (10, 30 cm) Réservé -4 po (10 cm) Visiteurs – 4 po (10 cm)
0290623	 WindGuard™ Spray Shield Protects spray pattern from wind, minimizing overspray. Adjustable width along with spring-loaded forgiveness on uneven surfaces.	WindGuard™ Spray Shield Schützt das Sprühbild vor Wind und minimiert Übersprühen. Einstellbare Breite und federbelastete Toleranz bei unebenen Oberflächen.	Bouclier de pulvérisation WindGuard™ Protège la répartition de pulvérisation du vent, minimisant la surpulvérisation. Largeur réglable avec remise à ressort sur les surfaces inégales.
0290953A	 HandiBead™ Dispenser Apply glass beads with consistency and accuracy, eliminating hand tossing. Adjustable dispersion width up to 15"	HandiBead™ Dispenser Tragen Sie Glasperlen gleichmäßig und präzise auf, ohne dass Sie sie von Hand werfen müssen. Einstellbare Streubreite bis zu 15" (38 cm).	Distributeur HandiBead™ Appliquez des billes de verre avec constance et précision, en éliminant le lancer à la main. Largeur de dispersion réglable jusqu'à 15 po (38 cm)

WAGNER

J. Wagner GmbH Otto Lilienthal-Str.18 D-88677 Markdorf

(D)

CE Konformitätserklärung

Hiermit erklären wir, daß die Bauart vom Airless Hochdruck-Spritzgerät, benzinbetrieben

(GB)

CE Declaration of conformity

Herewith we declare that the supplied version of Airless high-pressure spraying unit, gas powered

(F)

CE Déclaration de conformité

Par la présente, nous déclarons, que le type de Groupe de projection à haute pression, à essence

(I)

CE Dichiarazione di conformità

Si dichiara che il modello Impianto per la verniciatura a spruzzo ad alta pressione Airless, azionato a benzina

TITAN PowrLiner 550, TITAN PowrLiner 850

folgenden einschlägigen Bestimmungen entspricht:

2006/42 EG

Angewendete harmonisierte Normen, insbesondere:

complies with the following provisions applying to it:

2006/42 EC

Applied harmonized standards, in particular:

correspond aux dispositions pertinentes suivantes:

2006/42 CE

Normes harmonisées utilisées, notamment:

é conforme alle seguenti disposizioni pertinenti:

2006/42 CE

Norme armonizzate applicate, in particolare:

EN ISO 12100: 2010, DIN EN 1953: 1998+A1:2009

Markdorf, 14.03.2012
Location, Date



Senior Vice President
Global Product Planning & Strategy

Hr. T. Jeltsch (Mr.)



Vice President Engineering

Hr. J. Ulbrich (Mr.)
Dokumentationsverantwortlicher
Responsible person for documents
Responsabile de la documentation
Responsabile della documentazione

Wagner-Nr. 2328194

14.03.12
2328194_PowrLiner_850.doc



CE Konformiteitsverklaring

hiermede verklaren wij, dat de in de handel gebrachte machine Airless – hogedruk-spuitapparaat, gas aangedreven



CE Konformitetserklæring

Hermed erklæres, at produkttypen Airless – højtrykssprøjtapparat, benzindrevet



CE Försäkran

Härmed intygar vi att Airless – högtrycksspruta, bensindrift



CE Declaración de conformidad

por la presente, declaramos que la Airless equipo de pulverización de alta presión, impulsado por gasolina



CE Declaração de conformidade

Com a presente, declaramos que o Aparelho de pulverização de alta pressão Airless, impulsionado a gasolina

TITAN PowrLiner 550, TITAN PowrLiner 850

voldoet aan de eisen van de in het vervolg genoemde bepalingen:

er i overensstemmelse med følgende bestemmelser:

är konstruerad enligt följande gällande bestämmelser:

satisface las disposiciones pertinentes siguientes:

está em conformidade com as disposições pertinentes, a saber:

2006/42 EG

2006/42 EF

2006/42 EC

2006/42 CE

2006/42 CE

Gebruikte geharmoniseerde normen, in het bijzondere:

Harmoniserede standarder, der blev anvendt, i særdeleshed:

Tillämpade harmoniserade standarder, i synnerhet:

Normas armonizadas utilizadas, particularmente:

Normas harmonizadas utilizadas, em particular:

EN ISO 12100: 2010, DIN EN 1953: 1998+A1:2009

Markdorf, 14.03.2012

Location, Date

Signature

Senior Vice President
Global Product Planning & Strategy

Vice President Engineering

Wagner-Nr. 2328194

Hr. T. Jeltsch (Mr.)

Hr. J. Ulbrich (Mr.)
Documentatieverantwoordelijke
Dokumentationsansvarlig
Dokumentationsansvarig
Responsable de la documentación
Responsável pela documentação

Warranty

Titan Tool, Inc., ("Titan") warrants that at the time of delivery to the original purchaser for use ("End User"), the equipment covered by this warranty is free from defects in material and workmanship. With the exception of any special, limited, or extended warranty published by Titan, Titan's obligation under this warranty is limited to replacing or repairing without charge those parts which, to Titan's reasonable satisfaction, are shown to be defective within twelve (12) months after sale to the End User. This warranty applies only when the unit is installed and operated in accordance with the recommendations and instructions of Titan.

This warranty does not apply in the case of damage or wear caused by abrasion, corrosion or misuse, negligence, accident, faulty installation, substitution of non-Titan component parts, or tampering with the unit in a manner to impair normal operation.

Defective parts are to be returned to an authorized Titan sales/service outlet. All transportation charges, including return to the factory, if necessary, are to be borne and prepaid by the End User. Repaired or replaced equipment will be returned to the End User transportation prepaid.

THERE IS NO OTHER EXPRESS WARRANTY. TITAN HEREBY DISCLAIMS ANY AND ALL IMPLIED WARRANTIES INCLUDING, BUT NOT LIMITED TO, THOSE OF MERCHANTABILITY AND FITNESS FOR A PARTICULAR PURPOSE, TO THE EXTENT PERMITTED BY LAW. THE DURATION OF ANY IMPLIED WARRANTIES WHICH CANNOT BE DISCLAIMED IS LIMITED TO THE TIME PERIOD SPECIFIED IN THE EXPRESS WARRANTY. IN NO CASE SHALL TITAN LIABILITY EXCEED THE AMOUNT OF THE PURCHASE PRICE. LIABILITY FOR CONSEQUENTIAL, INCIDENTAL OR SPECIAL DAMAGES UNDER ANY AND ALL WARRANTIES IS EXCLUDED TO THE EXTENT PERMITTED BY LAW.

TITAN MAKES NO WARRANTY AND DISCLAIMS ALL IMPLIED WARRANTIES OF MERCHANTABILITY AND FITNESS FOR A PARTICULAR PURPOSE WITH RESPECT TO ACCESSORIES, EQUIPMENT, MATERIALS OR COMPONENTS SOLD BUT NOT MANUFACTURED BY TITAN. THOSE ITEMS SOLD, BUT NOT MANUFACTURED BY TITAN (SUCH AS GAS ENGINES, SWITCHES, HOSES, ETC.) ARE SUBJECT TO THE WARRANTY, IF ANY, OF THEIR MANUFACTURER. TITAN WILL PROVIDE THE PURCHASER WITH REASONABLE ASSISTANCE IN MAKING ANY CLAIM FOR BREACH OF THESE WARRANTIES.

Garantie

Titan Tool, Inc., ("Titan") garantiert, dass zum Zeitpunkt der Lieferung an den Käufer („Endverbraucher“) die Ausrüstung, die von dieser Garantie abgedeckt ist, frei von Material- und Fabrikationsfehler ist. Mit Ausnahme spezieller, eingeschränkter oder erweiterter Garantie, die Titan bekannt gegeben hat, ist die Gewährleistungsverpflichtung von Titan beschränkt auf den kostenlosen Austausch oder Nachbesserung für jene Teile, die, nachdem dies Titan nachvollziehbar nachgewiesen wurden, binnen zwölf (12) Monaten nach Verkauf an den Endverbraucher sich als fehlerhaft erweisen. Die Garantie greift nur, wenn das Gerät gemäß den Empfehlungen und Anweisungen von Titan installiert und bedient wurde.

Diese Garantie gilt nicht bei Beschädigung oder Abnutzung durch Abrieb, Korrosion oder unsachgemäße Benutzung, Unachtsamkeit, Unfall, unsachgemäße Installation, Verwendung von Ersatzteilen, die nicht von Titan stammen bzw. wenn Änderungen an dem Gerät vorgenommen wurden wodurch eine normale Benutzung beeinträchtigt wird

Defekte Teile müssen an den autorisierten Titan-Händler/ die autorisierte Titan-Niederlassung zurückgeschickt werden. Alle Transportkosten, einschließlich der Rücksendung an die Fabrik, falls erforderlich, sind vom Endverbraucher zu tragen und müssen im Voraus bezahlt werden. Repariertes oder ausgetauschtes Zubehör wird auf Kosten des Endverbrauchers nach Vorauszahlung der Transportkosten zurückgeschickt

ES GIBT SONST KEINE ANDERE MÄNGELGARANTIE. TITAN SCHLIESST HIERMIT ALLE UND JEDE STILLSCHWEIGENDE GARANTIE AUS, EINSCHLIESSLICH, JEDOCH NICHT BESCHRÄNKT AUF MARKTFÄHIGKEIT UND EIGNUNG FÜR EINEN BESTIMMTEN ZWECK, SOWEIT GESETZLICH ZULÄSSIG. DIE DAUER ALLER STILLSCHWEIGENDEN GARANTIEN, DIE NICHT AUSGESCHLOSSEN WERDEN KÖNNEN, SIND BESCHRÄNKT AUF DIE IN DER AUSDRÜCKLICHEN GARANTIE FESTGELEGTE DAUER. TITAN HAFTET IN KEINER WEISE ÜBER DEN KAUFPREIS HINAUS. DIE HAFTUNG FÜR FOLGESCHÄDEN, ZUFÄLLIGE SCHÄDEN ODER SPEZIELLE SCHÄDEN UNTER JEDER UND ALLEN GARANTIEN IST AUSGESCHLOSSEN SOWEIT GESETZLICH ZUGELASSEN.

TITAN ÜBERNIMMT KEINE GARANTIE UND SCHLIESST ALLE STILLSCHWEIGENDEN GARANTIEN AUF MARKTFÄHIGKEIT UND EIGNUNG FÜR EINEN BESTIMMTEN ZWECK BEZÜGLICH ZUBEHÖR, AUSRÜSTUNG, MATERIALIEN UND KOMponentEN AUS, DIE VON TITAN VERKAUFT, JEDOCH NICHT HERGESTELLT WURDEN. JENE VON TITAN VERKAUFTEN, JEDOCH NICHT VON TITAN HERGESTELLTEN KOMponentEN (WIE Z.B. GASMOTOREN, SCHALTER, SCHLÄUCHE, ETC.) UNTERLIEGEN DER GEWÄHRLEISTUNG DES JEWEILIGEN HERSTELLERS, SOFERN DIESE GEWÄHRT WERDEN. TITAN UNTERSTÜTZT DEN KÄUFER IN ANGEMESSENER WEISE, WENN ES UM ANSPRÜCHE WEGEN DER VERLETZUNG VON GEWÄHRLEITUNGEN GEHT.

Garantie

Titan Tool, Inc. ("Titan") garantit qu'au moment de la livraison à l'acheteur initial ("Utilisateur"), l'appareil couvert par la présente garantie sera exempt de défauts de matériaux et de fabrication. Exception faite de toute garantie particulière ou limitée et de toute extension de garantie publiées par Titan, la responsabilité de celui-ci se limite, en vertu de la présente garantie, au remplacement ou à la réparation sans frais des pièces dont le caractère défectueux aura été démontré de manière satisfaisante pour Titan, dans un délai de douze (12) mois après la date d'achat par l'Utilisateur. Cette garantie ne sera applicable que si l'appareil a été installé et utilisé conformément aux recommandations et directives de Titan.

Cette garantie ne sera pas applicable dans les cas d'endommagement ou d'usure dus à l'abrasion, la corrosion, un mauvais usage, la négligence, un accident, une installation incorrecte, un remplacement par des composants non fournis par Titan ou toute autre intervention non autorisée de nature à nuire au fonctionnement normal de l'appareil.

Les pièces défectueuses devront être envoyées à un centre de service / vente Titan autorisé. Les frais de transport couvrant y compris le retour à l'usine, seront, le cas échéant, prépayés par l'Utilisateur. Après réparation ou remplacement, les pièces seront renvoyées à ce dernier par transport prépayé.

AUCUNE AUTRE GARANTIE EXPRESSE N'EST ACCORDÉE. TITAN REJETTE TOUTE AUTRE GARANTIE IMPLICITE Y COMPRIS, NOTAMMENT, LES GARANTIES DE QUALITÉ MARCHANDE ET DE COMPATIBILITÉ AVEC UN USAGE PARTICULIER, DANS LES LIMITES PERMISES PAR LA LOI.

LA DURÉE DES GARANTIES IMPLICITES NE POUVANT FAIRE L'OBJET D'UNE RENONCIATION SE LIMITE À LA PÉRIODE INDIQUÉE DANS LA GARANTIE EXPRESSE.

LA RESPONSABILITÉ DE TITAN NE SAURAIT EN AUCUN CAS ÊTRE ENGAGÉE POUR UN MONTANT SUPÉRIEUR À CELUI DU PRIX D'ACHAT. TITAN EXCLUT TOUTE RESPONSABILITÉ RELATIVE AUX DOMMAGES INDIRECTS, ACCESSOIRES OU PARTICULIERS, DANS LES LIMITES PRÉVUES PAR LA LOI.

TITAN NE DONNE AUCUNE GARANTIE ET DÉCLINE TOUTE GARANTIE IMPLICITE DE QUALITÉ MARCHANDE ET DE COMPATIBILITÉ AVEC UN USAGE PARTICULIER EN CE QUI CONCERNE LES ACCESSOIRES, L'APPAREIL, LES MATÉRIAUX OU LES COMPOSANTS VENDUS MAIS NON FABRIQUÉS PAR TITAN. CES DERNIERS ÉLÉMENTS, VENDUS MAIS NON FABRIQUÉS PAR TITAN (MOTEURS À ESSENCE, COMMULATEURS, FLEXIBLES, ETC.), SONT SOUMIS, LE CAS ÉCHÉANT, À LA GARANTIE DU FABRICANT. TITAN S'ENGAGE À PORTER ASSISTANCE AUX ACHETEURS, DANS LES LIMITES DU RAISONNABLE, POUR LA CONSTITUTION DE RÉCLAMATIONS RELATIVES AU NON RESPECT DE CES GARANTIES.

GB

Note on disposal:

In observance of the European Directive 2012/19/EU on waste electrical and electronic equipment and implementation in accordance with national law, this product is not to be disposed of together with household waste material but must be recycled in an environmentally friendly way!



Titan or one of our dealers will take back your used Titan waste electrical or electronic equipment and will dispose of it for you in an environmentally friendly way. Please ask your local Titan service centre or dealer for details or contact us direct.

D

Entsorgungshinweis:

Gemäß der europäischen Richtlinie 2012/19/EU zur Entsorgung von Elektro-Altgeräten, und deren Umsetzung in nationales Recht, ist dieses Produkt nicht über den Hausmüll zu entsorgen, sondern muss der umweltgerechten Wiederverwertung zugeführt werden!



Ihr Titan-Altgerät wird von uns, bzw. unseren Handelsvertretungen zurückgenommen und für Sie umweltgerecht entsorgt. Wenden Sie sich in diesem Fall an einen unserer Service-Stützpunkte, bzw. Handelsvertretungen oder direkt an uns.

F

Consignes d'élimination:

Selon la directive européenne 2012/19/UE sur l'élimination des vieux appareils électriques et sa conversion en droit national, ce produit ne peut pas être jeté dans les ordures ménagères, mais est à amener à un point de recyclage en vue d'une élimination dans le respect de l'environnement!



Titan, resp. nos représentations commerciales reprennent votre vieil appareil Titan pour l'éliminer dans le respect de l'environnement. Adressez-vous donc directement à nos points de service resp. représentations commerciales ou directement à nous.



**POWRLINER™
850**

UNITED STATES SALES & SERVICE

WEB: www.titantool.com
PHONE: 1-800-526-5362
1770 Fernbrook Lane
Minneapolis, MN 55447

INTERNATIONAL

WEB: www.titantool-international.com